



78TXXA

LINEAR INTEGRATED CIRCUIT

3-TERMINAL 1A POSITIVE VOLTAGE REGULATOR

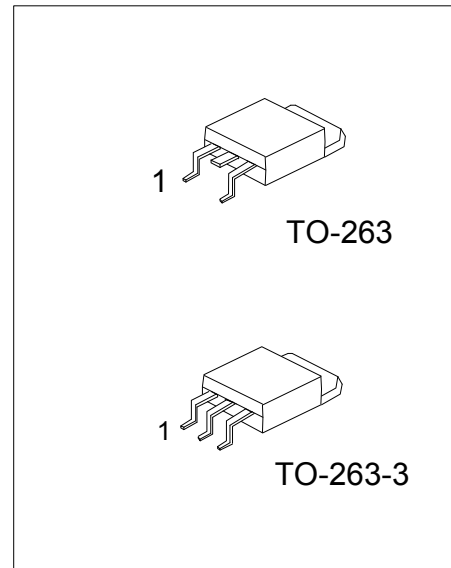
DESCRIPTION

The UTC **78TXXA** family is monolithic fixed voltage regulator integrated circuit. They are suitable for applications that required supply current up to 1 A.

FEATURES

- *Peak Output Current Up To 1 A
- *Fixed Output Voltage Of 4.7V ,5V, 6V, 7V, 8V, 9V, 10V, 12V, 15V, 18V and 24V Available
- *Thermal Overload Shutdown Protection
- *Short Circuit Current Limiting
- *Output Transistor SOA Protection

ORDERING INFORMATION



Order Number			Pin Assignment			Package	Packing
Normal	Lead Free Plating	Halogen Free	1	2	3		
78TxxA-TQ2-R	78TxxAL-TQ2-R	78TxxAG-TQ2-R	I	G	O	TO-263	Tape Reel
78TxxA-TQ2-T	78TxxAL-TQ2-T	78TxxAG-TQ2-T	I	G	O	TO-263	Tube
78TxxA-TQ3-R	78TxxAL-TQ3-R	78TxxAG-TQ3-R	I	G	O	TO-263-3	Tape Reel
78TxxA-TQ3-T	78TxxAL-TQ3-T	78TxxAG-TQ3-T	I	G	O	TO-263-3	Tube

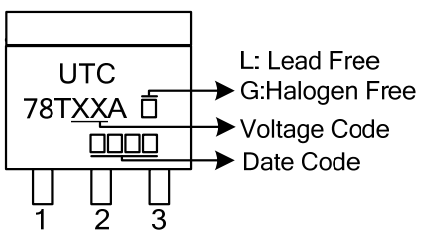
Note: Pin Code: I: Input G: GND O: Output

<p>78TxxAL-TQ2-R</p>	<p>(1) R: Tape Reel</p> <p>(2) TO-263: TQ2, TO-263-3: TQ3</p> <p>(3) L: Lead Free, G: Halogen Free, Blank: Pb/Sn</p> <p>(4) xx: refer to Marking Information</p>
----------------------	--

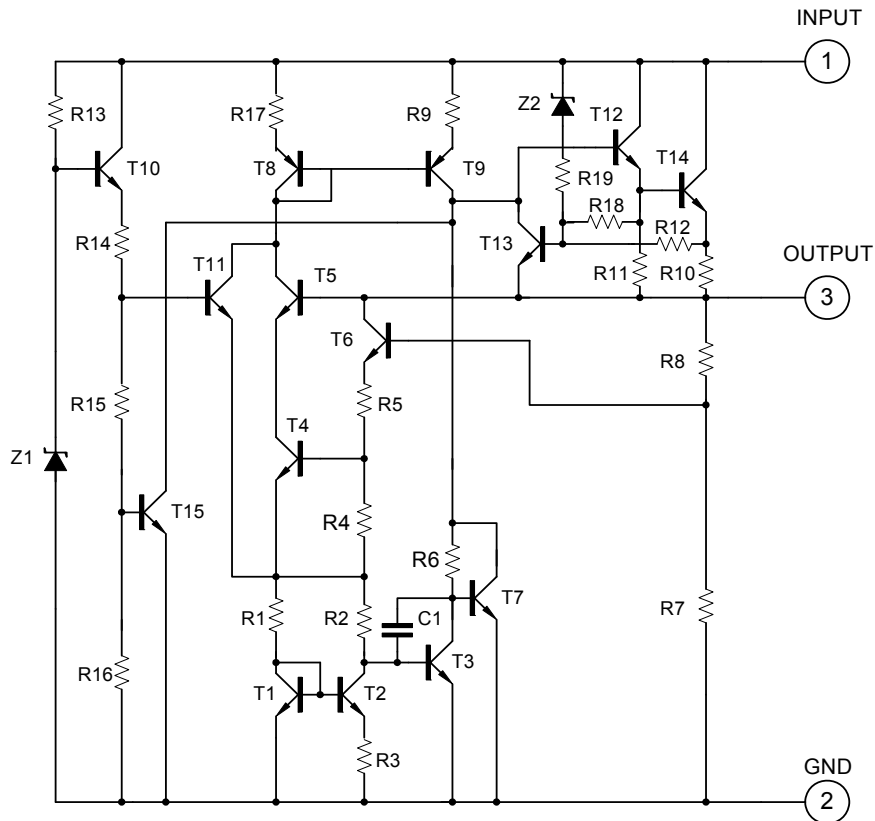
78TXXA

LINEAR INTEGRATED CIRCUIT

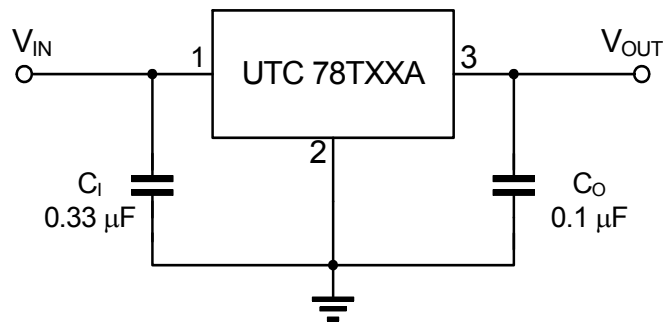
MARKING INFORMATION

PACKAGE	VOLTAGE CODE	MARKING
TO-263 TO-263-3	47 :4.7V 05 :5.0V 06 :6.0V 07 :7.0V 08 :8.0V 09 :9.0V 10 :10V 12 :12V 15 :15V 18 :18V 24 :24V	 <p>L: Lead Free G: Halogen Free Voltage Code Date Code</p>

■ TEST CIRCUIT



■ APPLICATION CIRCUIT



Note 1: To specify an output voltage, substitute voltage value for "XX".

2: Bypass capacitors are recommended for optimum stability and transient response and should be located as close as possible to the regulators.

■ ABSOLUTE MAXIMUM RATINGS (Operating temperature range applies unless otherwise specified)

PARAMETER	SYMBOL	RATING	UNIT	
Input Voltage	$V_{OUT}=4.7\sim 18V$	V_{IN}	35	V
	$V_{OUT}=24V$	V_{IN}	40	V
Output Current	I_{OUT}	1	A	
Power Dissipation	P_D	Internally Limited	W	
Junction Temperature	T_J	+125	°C	
Operating Junction Temperature	T_{OPR}	-20~ +85	°C	
Storage Temperature	T_{STG}	-40~ +150	°C	

Note: Absolute maximum ratings are those values beyond which the device could be permanently damaged.

Absolute maximum ratings are stress ratings only and functional device operation is not implied.

■ ELECTRICAL CHARACTERISTICS

($T_J=0^\circ\text{C}\sim 125^\circ\text{C}$, $C_I=0.33\mu\text{F}$, $C_O=0.1\mu\text{F}$, unless otherwise specified) (Note 1)

FOR 78T47A ($V_{IN}=9.7V$, $I_{OUT}=0.5A$)

PARAMETER	SYMBOL	TEST CONDITIONS	MIN	TYP	MAX	UNIT
Output Voltage	V_{OUT}	$T_J=25^\circ\text{C}$, $I_{OUT}=5\text{mA}\sim 1.0\text{A}$	4.512	4.70	4.888	V
		$V_{IN}=7.2V\sim 19.7V$, $I_{OUT}=5\text{mA}\sim 1.0\text{A}$, $P_D\leq 15W$	4.465		4.935	V
Load Regulation	ΔV_{OUT}	$T_J=25^\circ\text{C}$, $I_{OUT}=5\text{mA}\sim 1.0\text{A}$			47	mV
		$T_J=25^\circ\text{C}$, $I_{OUT}=0.25\text{A}\sim 0.75\text{A}$			24	mV
Line regulation	ΔV_{OUT}	$V_{IN}=7.2V\sim 19.7V$, $T_J=25^\circ\text{C}$			47	mV
		$V_{IN}=7.2V\sim 19.7V$, $T_J=25^\circ\text{C}$, $I_{OUT}=1.0\text{A}$			47	mV
Quiescent Current	I_Q	$T_J=25^\circ\text{C}$, $I_{OUT}\leq 1.0\text{A}$			8.0	mA
Quiescent Current Change	ΔI_Q	$V_{IN}=7.2V\sim 19.7V$			1.0	mA
		$I_{OUT}=5\text{mA}\sim 1.0\text{A}$			0.5	mA
Output Noise Voltage	eN	$10\text{Hz}\leq f\leq 100\text{kHz}$		40		μV
Temperature coefficient of V_o	$\Delta V_o/\Delta T$	$I_{OUT}=5\text{mA}$		-0.6		$\text{mV}/^\circ\text{C}$
Ripple Rejection	RR	$V_{IN}=7.7V\sim 17.7V$, $f=120\text{Hz}$, $T_J=25^\circ\text{C}$	62	80		dB
Peak Output Current	I_{PEAK}	$T_J=25^\circ\text{C}$		1.8		A
Short-Circuit Current	I_{SC}	$V_{IN}=35V$, $T_J=25^\circ\text{C}$		250		mA
Dropout Voltage	V_D	$T_J=25^\circ\text{C}$		2.0		V

FOR 78T05A ($V_{IN}=10V$, $I_{OUT}=0.5A$)

PARAMETER	SYMBOL	TEST CONDITIONS	MIN	TYP	MAX	UNIT
Output Voltage	V_{OUT}	$T_J=25^\circ\text{C}$, $I_{OUT}=5\text{mA}\sim 1.0\text{A}$	4.80	5.0	5.20	V
		$V_{IN}=7.5V\sim 20V$, $I_{OUT}=5\text{mA}\sim 1.0\text{A}$, $P_D\leq 15W$	4.75		5.25	V
Load Regulation	ΔV_{OUT}	$T_J=25^\circ\text{C}$, $I_{OUT}=5\text{mA}\sim 1.0\text{A}$			50	mV
		$T_J=25^\circ\text{C}$, $I_{OUT}=0.25\text{A}\sim 0.75\text{A}$			25	mV
Line regulation	ΔV_{OUT}	$V_{IN}=7V\sim 25V$, $T_J=25^\circ\text{C}$			50	mV
		$V_{IN}=7.5V\sim 20V$, $T_J=25^\circ\text{C}$, $I_{OUT}=1.0\text{A}$			50	mV
Quiescent Current	I_Q	$T_J=25^\circ\text{C}$, $I_{OUT}\leq 1.0\text{A}$			8.0	mA
Quiescent Current Change	ΔI_Q	$V_{IN}=7.5V\sim 20V$			1.0	mA
		$I_{OUT}=5\text{mA}\sim 1.0\text{A}$			0.5	mA
Output Noise Voltage	eN	$10\text{Hz}\leq f\leq 100\text{kHz}$		40		μV
Temperature coefficient of V_o	$\Delta V_o/\Delta T$	$I_{OUT}=5\text{mA}$		-0.6		$\text{mV}/^\circ\text{C}$
Ripple Rejection	RR	$V_{IN}=8V\sim 18V$, $f=120\text{Hz}$, $T_J=25^\circ\text{C}$	62	80		dB
Peak Output Current	I_{PEAK}	$T_J=25^\circ\text{C}$		1.8		A
Short-Circuit Current	I_{SC}	$V_{IN}=35V$, $T_J=25^\circ\text{C}$		250		mA
Dropout Voltage	V_D	$T_J=25^\circ\text{C}$		2.0		V

■ ELECTRICAL CHARACTERISTICS(Cont.)

FOR 78T06A ($V_{IN}=11V$, $I_{OUT}=0.5A$)

PARAMETER	SYMBOL	TEST CONDITIONS	MIN	TYP	MAX	UNIT
Output Voltage	V_{OUT}	$T_J=25^{\circ}C$, $I_{OUT}=5mA-1.0A$	5.76	6.0	6.24	V
		$V_{IN}=8.5V\sim 21V$, $I_{OUT}=5mA-1.0A$, $P_D \leq 15W$	5.70		6.30	V
Load Regulation	ΔV_{OUT}	$T_J=25^{\circ}C$, $I_{OUT}=5mA-1.0A$			60	mV
		$T_J=25^{\circ}C$, $I_{OUT}=0.25A-0.75A$			30	mV
Line regulation	ΔV_{OUT}	$V_{IN}=8V\sim 25V$, $T_J=25^{\circ}C$			60	mV
		$V_{IN}=8.5V\sim 21V$, $T_J=25^{\circ}C$, $I_{OUT}=1.0A$			60	mV
Quiescent Current	I_Q	$T_J=25^{\circ}C$, $I_{OUT} \leq 1.0A$			8.0	mA
Quiescent Current Change	ΔI_Q	$V_{IN}=8.5V\sim 21V$			1.0	mA
		$I_{OUT}=5mA-1.0A$			0.5	mA
Output Noise Voltage	eN	$10Hz \leq f \leq 100kHz$		45		μV
Temperature coefficient of V_o	$\Delta V_o/\Delta T$	$I_{OUT}=5mA$		-0.7		$mV/^{\circ}C$
Ripple Rejection	RR	$V_{IN}=9V-19V$, $f=120Hz$, $T_J=25^{\circ}C$	59	75		dB
Peak Output Current	I_{PEAK}	$T_J=25^{\circ}C$		1.8		A
Short-Circuit Current	I_{SC}	$V_{IN}=35V$, $T_J=25^{\circ}C$		250		mA
Dropout Voltage	V_D	$T_J=25^{\circ}C$		2.0		V

FOR 78T07A ($V_{IN}=13V$, $I_{OUT}=0.5A$)

PARAMETER	SYMBOL	TEST CONDITIONS	MIN	TYP	MAX	UNIT
Output Voltage	V_{OUT}	$T_J=25^{\circ}C$, $I_{OUT}=5mA-1.0A$	6.72	7.0	7.28	V
		$V_{IN}=9.5V\sim 22V$, $I_{OUT}=5mA-1.0A$, $P_D \leq 15W$	6.65		7.35	V
Load Regulation	ΔV_{OUT}	$T_J=25^{\circ}C$, $I_{OUT}=5mA-1.0A$			70	mV
		$T_J=25^{\circ}C$, $I_{OUT}=0.25A-0.75A$			35	mV
Line regulation	ΔV_{OUT}	$V_{IN}=9V\sim 25V$, $T_J=25^{\circ}C$			70	mV
		$V_{IN}=9.5V\sim 22V$, $T_J=25^{\circ}C$, $I_{OUT}=1.0A$			70	mV
Quiescent Current	I_Q	$T_J=25^{\circ}C$, $I_{OUT} \leq 1.0A$			8.0	mA
Quiescent Current Change	ΔI_Q	$V_{IN}=9.5V\sim 22V$			1.0	mA
		$I_{OUT}=5mA-1.0A$			0.5	mA
Output Noise Voltage	eN	$10Hz \leq f \leq 100kHz$		50		μV
Temperature coefficient of V_o	$\Delta V_o/\Delta T$	$I_{OUT}=5mA$		-0.8		$mV/^{\circ}C$
Ripple Rejection	RR	$V_{IN}=10V-20V$, $f=120Hz$, $T_J=25^{\circ}C$	59	75		dB
Peak Output Current	I_{PEAK}	$T_J=25^{\circ}C$		1.7		A
Short-Circuit Current	I_{SC}	$V_{IN}=35V$, $T_J=25^{\circ}C$		250		mA
Dropout Voltage	V_D	$T_J=25^{\circ}C$		2.0		V

FOR 78T08A ($V_{IN}=14V$, $I_{OUT}=0.5A$)

PARAMETER	SYMBOL	TEST CONDITIONS	MIN	TYP	MAX	UNIT
Output Voltage	V_{OUT}	$T_J=25^{\circ}C$, $I_{OUT}=5mA-1.0A$	7.68	8.0	8.32	V
		$V_{IN}=10.5V\sim 23V$, $I_{OUT}=5mA-1.0A$, $P_D \leq 15W$	7.60		8.40	V
Load Regulation	ΔV_{OUT}	$T_J=25^{\circ}C$, $I_{OUT}=5mA-1.0A$			80	mV
		$T_J=25^{\circ}C$, $I_{OUT}=0.25A-0.75A$			40	mV
Line regulation	ΔV_{OUT}	$V_{IN}=10.5V\sim 25V$, $T_J=25^{\circ}C$			80	mV
		$V_{IN}=10.5V\sim 23V$, $T_J=25^{\circ}C$, $I_{OUT}=1.0A$			80	mV
Quiescent Current	I_Q	$T_J=25^{\circ}C$, $I_{OUT} \leq 1.0A$			8.0	mA
Quiescent Current Change	ΔI_Q	$V_{IN}=10.5V\sim 23V$			1.0	mA
		$I_{OUT}=5mA-1.0A$			0.5	mA
Output Noise Voltage	eN	$10Hz \leq f \leq 100kHz$		58		μV
Temperature coefficient of V_o	$\Delta V_o/\Delta T$	$I_{OUT}=5mA$		-0.9		$mV/^{\circ}C$
Ripple Rejection	RR	$V_{IN}=11.5V\sim 21.5V$, $f=120Hz$, $T_J=25^{\circ}C$	56	72		dB
Peak Output Current	I_{PEAK}	$T_J=25^{\circ}C$		1.8		A
Short-Circuit Current	I_{SC}	$V_{IN}=35V$, $T_J=25^{\circ}C$		250		mA
Dropout Voltage	V_D	$T_J=25^{\circ}C$		2.0		V

■ ELECTRICAL CHARACTERISTICS(Cont.)

FOR 78T09A ($V_{IN}=15V$, $I_{OUT}=0.5A$)

PARAMETER	SYMBOL	TEST CONDITIONS	MIN	TYP	MAX	UNIT
Output Voltage	V_{OUT}	$T_J=25^{\circ}C$, $I_{OUT}=5mA-1.0A$	8.64	9.0	9.36	V
		$V_{IN}=11.5V\sim 24V$, $I_{OUT}=5mA-1.0A$, $P_D \leq 15W$	8.55		9.45	V
Load Regulation	ΔV_{OUT}	$T_J=25^{\circ}C$, $I_{OUT}=5mA-1.0A$			90	mV
		$T_J=25^{\circ}C$, $I_{OUT}=0.25A-0.75A$			45	mV
Line regulation	ΔV_{OUT}	$V_{IN}=11.5V\sim 25V$, $T_J=25^{\circ}C$			90	mV
		$V_{IN}=11.5V\sim 24V$, $T_J=25^{\circ}C$, $I_{OUT}=1.0A$			90	mV
Quiescent Current	I_Q	$T_J=25^{\circ}C$, $I_{OUT} \leq 1.0A$			8.0	mA
Quiescent Current Change	ΔI_Q	$V_{IN}=11.5V\sim 24V$			1.0	mA
		$I_{OUT}=5mA-1.0A$			0.5	mA
Output Noise Voltage	eN	$10Hz \leq f \leq 100kHz$		58		μV
Temperature coefficient of V_o	$\Delta V_o/\Delta T$	$I_{OUT}=5mA$		-1.1		$mV/^{\circ}C$
Ripple Rejection	RR	$V_{IN}=12.5V\sim 22.5V$, $f=120Hz$, $T_J=25^{\circ}C$	56	72		dB
Peak Output Current	I_{PEAK}	$T_J=25^{\circ}C$		1.8		A
Short-Circuit Current	I_{SC}	$V_{IN}=35V$, $T_J=25^{\circ}C$		250		mA
Dropout Voltage	V_D	$T_J=25^{\circ}C$		2.0		V

FOR 78T10A ($V_{IN}=16V$, $I_{OUT}=0.5A$)

PARAMETER	SYMBOL	TEST CONDITIONS	MIN	TYP	MAX	UNIT
Output Voltage	V_{OUT}	$T_J=25^{\circ}C$, $I_{OUT}=5mA-1.0A$	9.60	10.0	10.40	V
		$V_{IN}=12.5V\sim 25V$, $I_{OUT}=5mA-1.0A$, $P_D \leq 15W$	9.50		10.50	V
Load Regulation	ΔV_{OUT}	$T_J=25^{\circ}C$, $I_{OUT}=5mA-1.0A$			100	mV
		$T_J=25^{\circ}C$, $I_{OUT}=0.25A-0.75A$			50	mV
Line regulation	ΔV_{OUT}	$V_{IN}=13V\sim 25V$, $T_J=25^{\circ}C$			100	mV
		$V_{IN}=13V\sim 25V$, $T_J=25^{\circ}C$, $I_{OUT}=1.0A$			100	mV
Quiescent Current	I_Q	$T_J=25^{\circ}C$, $I_{OUT} \leq 1.0A$			8.0	mA
Quiescent Current Change	ΔI_Q	$V_{IN}=12.6V\sim 25V$			1.0	mA
		$I_{OUT}=5mA-1.0A$			0.5	mA
Output Noise Voltage	eN	$10Hz \leq f \leq 100kHz$		58		μV
Temperature coefficient of V_o	$\Delta V_o/\Delta T$	$I_{OUT}=5mA$		-1.1		$mV/^{\circ}C$
Ripple Rejection	RR	$V_{IN}=13V-23V$, $f=120Hz$, $T_J=25^{\circ}C$	56	72		dB
Peak Output Current	I_{PEAK}	$T_J=25^{\circ}C$		1.8		A
Short-Circuit Current	I_{SC}	$V_{IN}=35V$, $T_J=25^{\circ}C$		250		mA
Dropout Voltage	V_D	$T_J=25^{\circ}C$		2.0		V

FOR 78T12A ($V_{IN}=19V$, $I_{OUT}=0.5A$)

PARAMETER	SYMBOL	TEST CONDITIONS	MIN	TYP	MAX	UNIT
Output Voltage	V_{OUT}	$T_J=25^{\circ}C$, $I_{OUT}=5mA-1.0A$	11.52	12.0	12.48	V
		$V_{IN}=14.5V\sim 27V$, $I_{OUT}=5mA-1.0A$, $P_D \leq 15W$	11.40		12.60	V
Load Regulation	ΔV_{OUT}	$T_J=25^{\circ}C$, $I_{OUT}=5mA-1.0A$			120	mV
		$T_J=25^{\circ}C$, $I_{OUT}=0.25A-0.75A$			60	mV
Line regulation	ΔV_{OUT}	$V_{IN}=14.5V\sim 30V$, $T_J=25^{\circ}C$			120	mV
		$V_{IN}=14.6V\sim 27V$, $T_J=25^{\circ}C$, $I_{OUT}=1.0A$			120	mV
Quiescent Current	I_Q	$T_J=25^{\circ}C$, $I_{OUT} \leq 1.0A$			8.0	mA
Quiescent Current Change	ΔI_Q	$V_{IN}=14.5V\sim 30V$			1.0	mA
		$I_{OUT}=5mA-1.0A$			0.5	mA
Output Noise Voltage	eN	$10Hz \leq f \leq 100kHz$		75		μV
Temperature coefficient of V_o	$\Delta V_o/\Delta T$	$I_{OUT}=5mA$		-1.5		$mV/^{\circ}C$
Ripple Rejection	RR	$V_{IN}=15V-25V$, $f=120Hz$, $T_J=25^{\circ}C$	55	72		dB
Peak Output Current	I_{PEAK}	$T_J=25^{\circ}C$		1.8		A
Short-Circuit Current	I_{SC}	$V_{IN}=35V$, $T_J=25^{\circ}C$		250		mA
Dropout Voltage	V_D	$T_J=25^{\circ}C$		2.0		V

■ ELECTRICAL CHARACTERISTICS(Cont.)

FOR 78T15A ($V_{IN}=23V$, $I_{OUT}=0.5A$)

PARAMETER	SYMBOL	TEST CONDITIONS	MIN	TYP	MAX	UNIT
Output Voltage	V_{OUT}	$T_J=25^{\circ}C$, $I_{OUT}=5mA-1.0A$	14.40	15.0	15.60	V
		$V_{IN}=17.5V\sim 30V$, $I_{OUT}=5mA-1.0A$, $P_D \leq 15W$	14.25		15.75	V
Load Regulation	ΔV_{OUT}	$T_J=25^{\circ}C$, $I_{OUT}=5mA-1.0A$			150	mV
		$T_J=25^{\circ}C$, $I_{OUT}=0.25A-0.75A$			75	mV
Line regulation	ΔV_{OUT}	$V_{IN}=18.5V\sim 30V$, $T_J=25^{\circ}C$			150	mV
		$V_{IN}=17.7V\sim 30V$, $T_J=25^{\circ}C$, $I_{OUT}=1.0A$			150	mV
Quiescent Current	I_Q	$T_J=25^{\circ}C$, $I_{OUT} \leq 1.0A$			8.0	mA
Quiescent Current Change	ΔI_Q	$V_{IN}=17.5V\sim 30V$			1.0	mA
		$I_{OUT}=5mA-1.0A$			0.5	mA
Output Noise Voltage	eN	$10Hz \leq f \leq 100kHz$		90		μV
Temperature coefficient of V_o	$\Delta V_o/\Delta T$	$I_{OUT}=5mA$		-1.8		$mV/^{\circ}C$
Ripple Rejection	RR	$V_{IN}=18.5V\sim 28.5V$, $f=120Hz$, $T_J=25^{\circ}C$	54	70		dB
Peak Output Current	I_{PEAK}	$T_J=25^{\circ}C$		1.8		A
Short-Circuit Current	I_{SC}	$V_{IN}=35V$, $T_J=25^{\circ}C$		250		mA
Dropout Voltage	V_D	$T_J=25^{\circ}C$		2.0		V

FOR 78T18A ($V_{IN}=27V$, $I_{OUT}=0.5A$)

PARAMETER	SYMBOL	TEST CONDITIONS	MIN	TYP	MAX	UNIT
Output Voltage	V_{OUT}	$T_J=25^{\circ}C$, $I_{OUT}=5mA-1.0A$	17.28	18.0	18.72	V
		$V_{IN}=21V\sim 33V$, $I_{OUT}=5mA-1.0A$, $P_D \leq 15W$	17.10		18.90	V
Load Regulation	ΔV_{OUT}	$T_J=25^{\circ}C$, $I_{OUT}=5mA-1.0A$			180	mV
		$T_J=25^{\circ}C$, $I_{OUT}=0.25A-0.75A$			90	mV
Line regulation	ΔV_{OUT}	$V_{IN}=21V\sim 33V$, $T_J=25^{\circ}C$			180	mV
		$V_{IN}=21V\sim 33V$, $T_J=25^{\circ}C$, $I_{OUT}=1.0A$			180	mV
Quiescent Current	I_Q	$T_J=25^{\circ}C$, $I_{OUT} \leq 1.0A$			8.0	mA
Quiescent Current Change	ΔI_Q	$V_{IN}=21.5V\sim 33V$			1.0	mA
		$I_{OUT}=5mA-1.0A$			0.5	mA
Output Noise Voltage	eN	$10Hz \leq f \leq 100kHz$		110		μV
Temperature coefficient of V_o	$\Delta V_o/\Delta T$	$I_{OUT}=5mA$		-2.2		$mV/^{\circ}C$
Ripple Rejection	RR	$V_{IN}=22V-32V$, $f=120Hz$, $T_J=25^{\circ}C$	53	69		dB
Peak Output Current	I_{PEAK}	$T_J=25^{\circ}C$		1.8		A
Short-Circuit Current	I_{SC}	$V_{IN}=35V$, $T_J=25^{\circ}C$		250		mA
Dropout Voltage	V_D	$T_J=25^{\circ}C$		2.0		V

■ ELECTRICAL CHARACTERISTICS(Cont.)

FOR 78T24A ($V_{IN}=33V$, $I_{OUT}=0.5A$)

PARAMETER	SYMBOL	TEST CONDITIONS	MIN	TYP	MAX	UNIT
Output Voltage	V_{OUT}	$T_J=25^{\circ}C$, $I_{OUT}=5mA-1.0A$	23.04	24.0	24.96	V
		$V_{IN}=27V\sim 38V$, $I_{OUT}=5mA-1.0A$, $P_D \leq 15W$	22.80		25.20	V
Load Regulation	ΔV_{OUT}	$T_J=25^{\circ}C$, $I_{OUT}=5mA-1.0A$			240	mV
		$T_J=25^{\circ}C$, $I_{OUT}=0.25A-0.75A$			120	mV
Line regulation	ΔV_{OUT}	$V_{IN}=27V\sim 38V$, $T_J=25^{\circ}C$			240	mV
		$V_{IN}=27V\sim 38V$, $T_J=25^{\circ}C$, $I_{OUT}=1.0A$			240	mV
Quiescent Current	I_Q	$T_J=25^{\circ}C$, $I_{OUT} \leq 1.0A$			8.0	mA
Quiescent Current Change	ΔI_Q	$V_{IN}=28V\sim 38V$			1.0	mA
		$I_{OUT}=5mA-1.0A$			0.5	mA
Output Noise Voltage	eN	$10Hz \leq f \leq 100kHz$		170		μV
Temperature coefficient of V_o	$\Delta V_o/\Delta T$	$I_{OUT}=5mA$		-2.8		$mV/^{\circ}C$
Ripple Rejection	RR	$V_{IN}=28V-38V$, $f=120Hz$, $T_J=25^{\circ}C$	50	66		dB
Peak Output Current	I_{PEAK}	$T_J=25^{\circ}C$		1.8		A
Short-Circuit Current	I_{SC}	$V_{IN}=35V$, $T_J=25^{\circ}C$		250		mA
Dropout Voltage	V_D	$T_J=25^{\circ}C$		2.0		V

Note 1: The Maximum steady state usable output current are dependent on input voltage, heat sinking, lead length of the package and copper pattern of PCB. The data above represents pulse test conditions with junction temperatures specified at the initiation of test.

Note 2: Power dissipation < 0.5W

UTC assumes no responsibility for equipment failures that result from using products at values that exceed, even momentarily, rated values (such as maximum ratings, operating condition ranges, or other parameters) listed in products specifications of any and all UTC products described or contained herein. UTC products are not designed for use in life support appliances, devices or systems where malfunction of these products can be reasonably expected to result in personal injury. Reproduction in whole or in part is prohibited without the prior written consent of the copyright owner. The information presented in this document does not form part of any quotation or contract, is believed to be accurate and reliable and may be changed without notice.