

LED DATA SHEET

Part No.	WR1210UW/D		
Emitted Color	High Super White	Len's Color	Diffused
Chip Materia	InGaN		

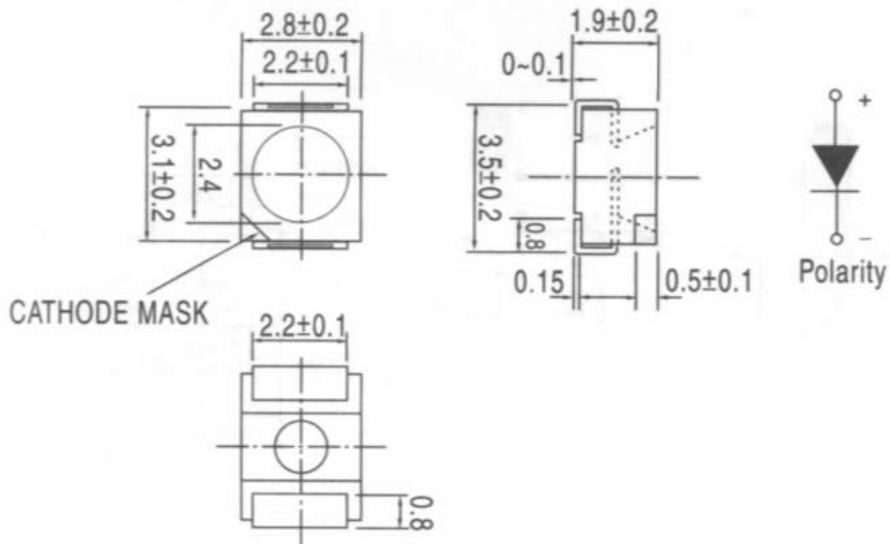
Features:

Compatible with automatic placement equipment
Compatible with reflow solder process

Applications:

Automotive and Telecommunication
General use for indicators

Package Dimensions:



Note:

- 1、 All dimensions are in millimetres (mm)
- 2、 Tolerance is ± 0.2 mm unless otherwise noted

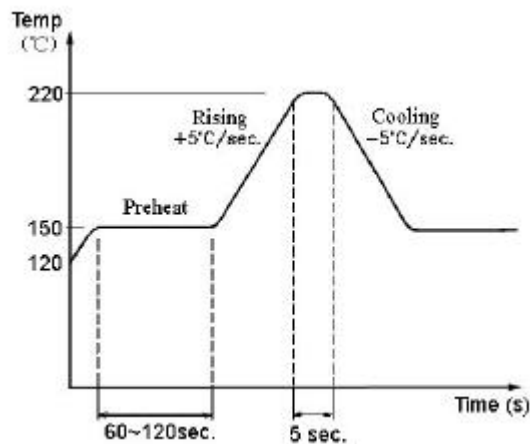
Absolute Maximum Rating (Ta=25)

Parameter	Symbol	Max.	Unit
Power Dissipation	P_M	100	Mw
Pulse Forward Current (1/10 duty and 0.1msec width)	I_{FP}	80	mA
Continuous Forward Current	I_F	30	mA
Reverse Voltage	V_R	5	V
Operating Temperature Range	T_{opr}	-40 ~ 85	
Storage Temperature Range	T_{stg}	-55 ~ 100	
Reflow Soldering : 250 , 5sec , max			

Electrical Optical Characteristics (Ta=25)

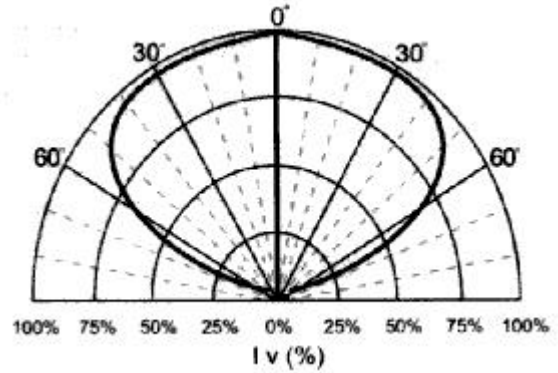
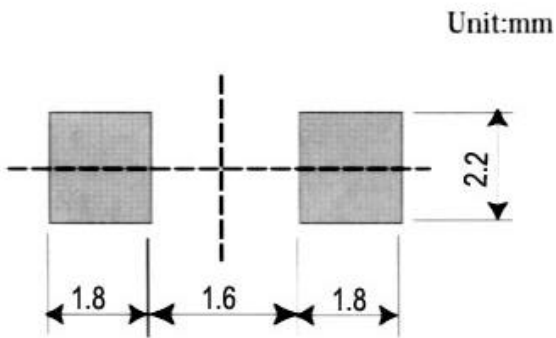
Parameter	Symbol	Min.	Typ.	Max.	Unit	Test Condition
Luminous Intensity	I_V	320	450	--	mcd	$I_F = 20mA$
Forward Voltage	V_F	--	3.3	4.0	V	$I_F = 20mA$
Reverse Current	I_R	--		10	uA	$V_R = 5V$
Chromaticity Coordinates	x	--	0.32	--	nm	$I_F = 20mA$
	y	--	0.31	--	nm	
Viewing Angle	2 1/2	--	130	--	Deg.	$I_F = 20mA$

Reflow Temp. and Time.

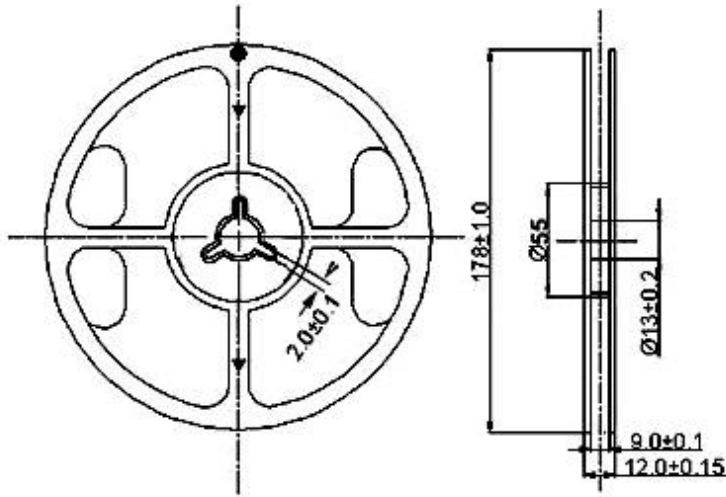


Soldering Pad Dimensions:

Viewing Pattern



Package Tape Specifications: 2000 pcs/reel



Unit:mm

Processive direction →

