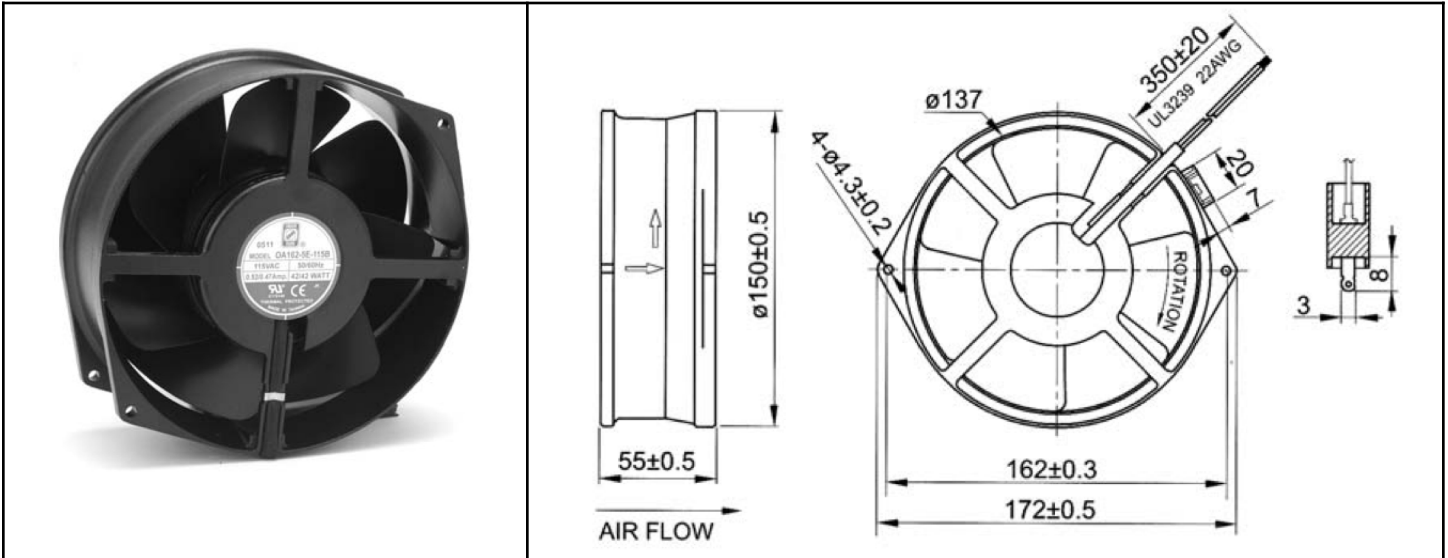


OA162 Series



172 x 55mm
(6.7" x 2.2")



| | | | |
|-----------------------|--|--|--|
| Frame | Diecast Aluminum | <u>Operating Temperature</u> Ball Bearing -40C ~ +70C <u>Life Expectancy</u> Ball Bearing 60,000 hours (L10 at 40C) | |
| Impeller | PBT, UL94V-O plastic | | |
| Connection | Terminals or Lead Wires | | |
| Motor | Shaded Pole, impedance and thermally protected | | |
| Bearing System | Dual ball (Sleeve available) | | |
| Insulation Resistance | >100M ohm between lead-wire and frame (500VDC) | | |
| Dielectric Strength | 1 min at 1500 VAC, 50/60Hz | | |

| Part Number | OA162-5E-115 * B | OA162-5E-230 * B |
|----------------------|------------------------|------------------------|
| Nominal Voltage | 120 VAC | 230 VAC |
| Voltage Range | 80 ~ 130 VAC | 160 ~ 260 VAC |
| Rated Power | 31 W (60Hz) | 31 W (60Hz) |
| Rated Speed (RPM) | 3400 | 3400 |
| Airflow (CFM) | 241 | 241 |
| Noise Level (dB) | 66 | 66 |
| Max. Static Pressure | 0.73" H ₂ O | 0.73" H ₂ O |

* Indicate "T" for Terminal or "W" for Wire leads

10557 Metric Drive
Dallas, Texas 75243
214-340-0265



OrionFans.com
Information and data is subject to
change without prior notification.