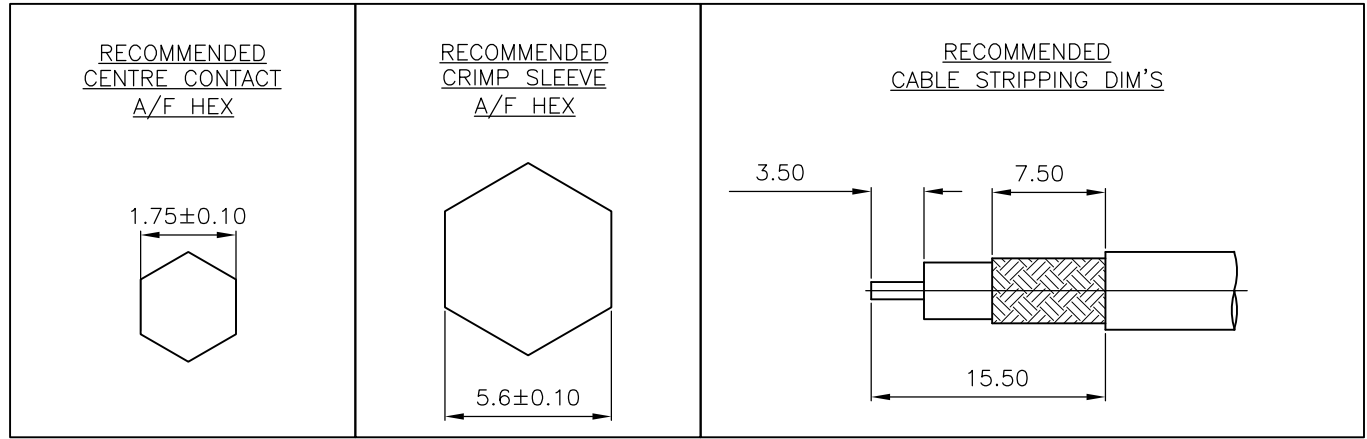
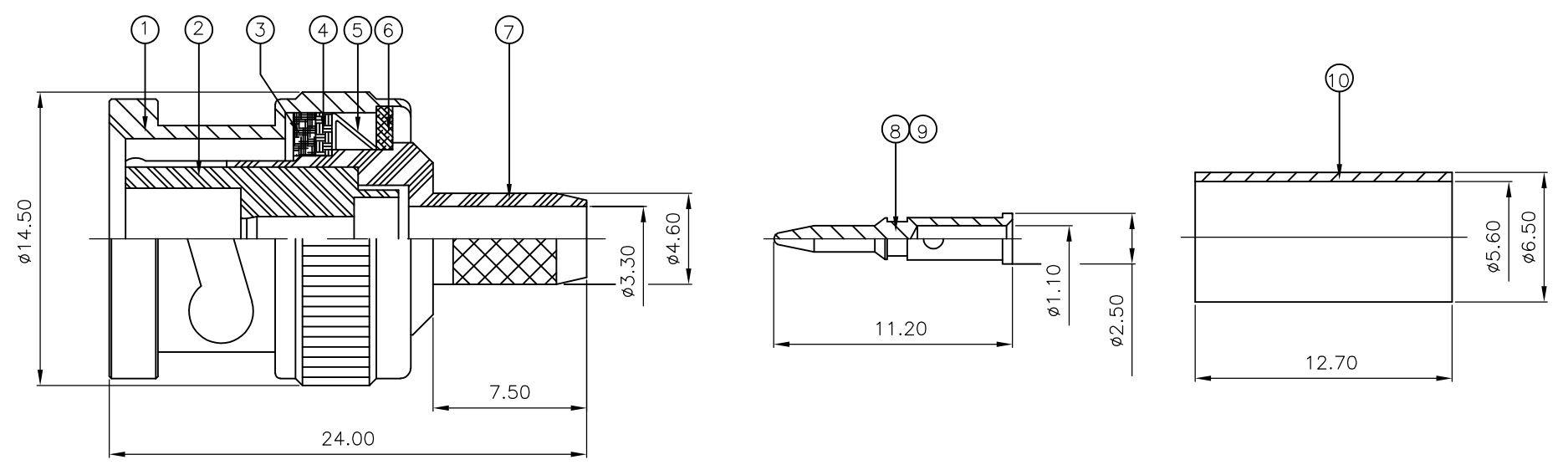


THIS DRAWING IS UNPUBLISHED. RELEASED FOR PUBLICATION SEPT ,2005.  
 © COPYRIGHT 2005 BY TYCO ELECTRONICS CORPORATION. ALL RIGHTS RESERVED.

LOC	DIST	REVISIONS					
E	B	P	LTR	DESCRIPTION	DATE	DWN	APVD
		E1		ECR-10-005886	18/3/2010	RITA	BOB

NOTES:

- ① SINGLE PACK IN ACCORDANCE WITH AMP SPEC 107-3275
- ② 100 TRAY PACK IN ACCORDANCE WITH AMP SPEC 107-3275
- ③ FLASH Au PLATING
- ④ 0.8µm Au PLATING
- ⑤ Ni PLATING
- ⑥ THIS ITEM MUST BE WHITE
- 7. HAND TOOL : 9-1478240-0
- 8. DIE SET : 9-1478242-0
- 9. ELECTRICAL CHARACTERISTICS  
 FREQUENCY RANGE: DC - 4 GHz  
 NOMINAL IMPEDANCE: 50 Ohm  
 INSULATION RESISTANCE: 5000 MOhm  
 WORKING VOLTAGE: 500 Volts RMS at Sea Level  
 DIELECTRIC WITHSTAND VOLTAGE: 1500 Volts RMS Max  
 CONTACT RESISTANCE:  
 CENTRE CONTACT: 1.50 mOhm Max  
 OUTER CONTACT: 0.20 mOhm Max  
 VSWR @ 4GHz: 1.30:1 Max  
 INSERTION LOSS dB @ x 3 GHz: 0.20 Max
- 10. MECHANICAL CHARACTERISTICS  
 COUPLING NUT RETENTION FORCE: 445N Min  
 CABLE RETENTION FORCE: 170N Min  
 DURABILITY: 500 Cycles Min
- 11. ENVIRONMENTAL CHARACTERISTICS  
 OPERATING TEMPERATURE: -65 to +165 DegC



QTY	PLC	LTR	DESCRIPTION	DATE	DWN	APVD	ITEM
1	1	1	BRASS		⑤		FERRULE 10
1	1	-	BRASS		④		CONTACT 9
-	-	1	BRASS		③		CONTACT 8
1	1	1	BRASS		⑦		BODY 7
1	1	1	BRASS		⑥		WASHER 6
1	1	1	SPRING STEEL				SPRING 5
1	1	1	BRASS		④		WASHER 4
1	1	1	SILICON RUBBER		⑥		GASKET 3
1	1	1	PTFE				INSULATION 2
1	1	1	BRASS		⑤		SHELL 1
6--1	1--1	6--0	1--0				MATERIAL DESCRIPTION ITEM

THIS DRAWING IS A CONTROLLED DOCUMENT.		DWN J.SANDWELL 12SEPT05	Tyco Electronics Corporation Bideford, UK, EX39 4HE	
DIMENSIONS: mm		CHK S.PARLOW 12SEPT05		
TOLERANCES UNLESS OTHERWISE SPECIFIED:		APVD F.WHEELER-KING 12SEPT05	NAME BNC STRAIGHT PLUG CRIMP 50 OHM RG58C/U, 141A/U, URM 43 & 76, KX15 BELDEN 9907	
0 PLC ± - 1 PLC ± - 2 PLC ± - 3 PLC ± - 4 PLC ± - ANGLES ± -		PRODUCT SPEC 108-3435	DRAWING NO A3 00779 C-1337426	
MATERIAL SEE TABLE		APPLICATION SPEC 411-3247	RESTRICTED TO -	
FINISH SEE TABLE		WEIGHT -	SCALE NTS	
CUSTOMER DRAWING		SHEET 1 OF 1 REV E1		