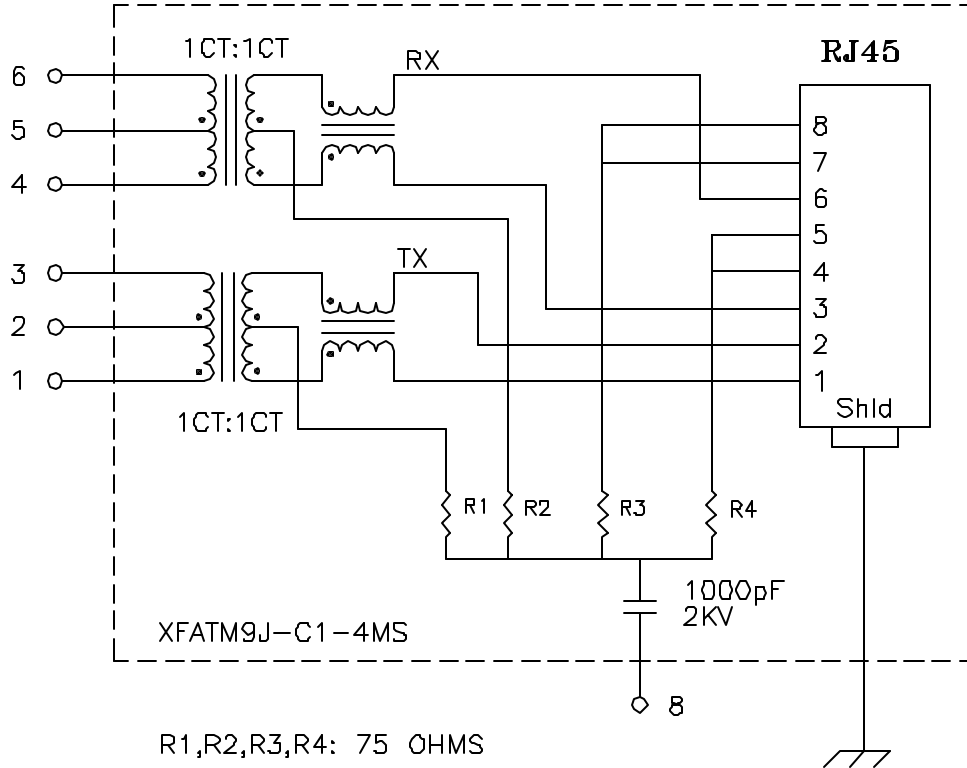


Schematic:



Electrical Specifications: @25°C

Isolation Voltage: 1500 Vrms (Input to Output)
 Isolation Voltage: 500 Vrms (P1+2+3 to P4+5+6)
 Turns Ratio: TX 1CT:1CT $\pm 3\%$ RX 1CT:1CT $\pm 3\%$
 CABLE SIDE OCL: 350uH Minimum @100KHz 100mV 8mADC
 Q: 16 Min @100KHz 0.1V
 Cw/w: 27pF Typical @100KHz 100mV
 Insertion Loss (300KHz-100MHz): -1.0dB Max
 Return Loss: @30MHz -18dB Minimum
 @80MHz -12dB Minimum

Notes:

1. Solderability: Leads shall meet MIL-STD-202G, Method 208H for solderability.
2. Flammability: UL94V-0
3. ASTM oxygen Index: > 28%
4. Insulation System: Class F 155°C. UL file E151556
5. Operating Temperature Range: All listed parameters are to be within tolerance from 0°C to +70°C
6. Storage Temperature Range: -55°C to +125°C
7. Aqueous wash compatible
8. Electrical and mechanical specifications 100% tested
9. RoHS Compliant Component

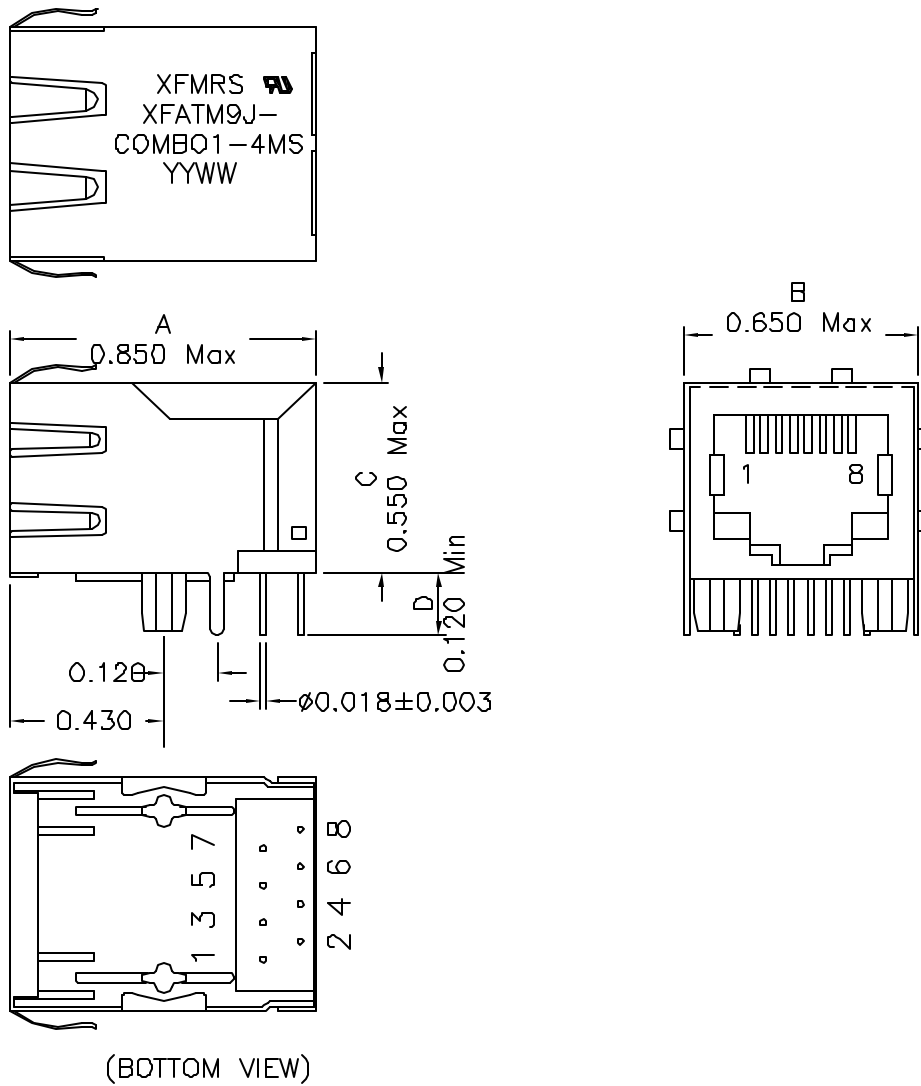
DOC. REV: A/3

PROPRIETARY:

Document is the property of XFMRs Group & is not allowed to be duplicated without authorization.

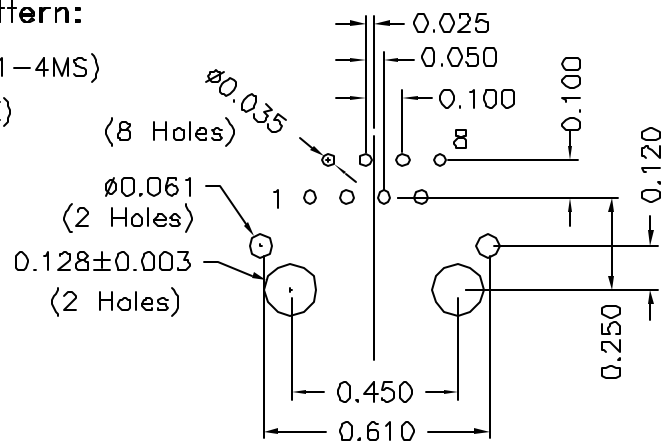
XFMRs Inc. www.XFMRs.com		Title: SINGLE PORT COMBO	
UNLESS OTHERWISE SPECIFIED TOLERANCES: .xxx ± 0.010		P/N: XFATM9J-COMBO1-4MS	REV. A
Dimensions in Inch	DWN.	Xian Yi	Jul-10-08
	CHK.	YK Liao	Jul-10-08
SHEET 1 OF 2	APP.	Joe Huff	Jul-10-08

Mechanical Dimensions:



Mounting Pattern:

(FOR COMBO1-4MS)
(COMP SIDE)



DOC REV: A/3

XFMR5 Inc
www.XFMR5.com

Title: Mechanical Dimensions
For COMBO1-4MS Series

UNLESS OTHERWISE SPECIFIED
TOLERANCES:
.xxx ±0.010
Dimensions in Inch

P/N: XFATM9J-COMBO1-4MS

REV. A

DWN.

Xian Yi

Jul-10-08

CHK.

YK Liao

Jul-10-08

APP.

Joe Huff

Jul-10-08

SHEET 2 OF 2

PROPRIETARY:

Document is the property of XFMR5 Group & is not allowed to be duplicated without authorization.