

FEATURES

- Subminiature, low PCB occupation area
- Heavy duty, with choice of contact materials
- Standard and high sensitive type for choice

TYPICAL APPLICATIONS

- Office machine
- Vending machine
- Home appliances
- Audio equipment

CONTACT RATING

Form	1 Form A (H) 1Form C (Z)
Resistive	10A, 120VAC/28VDC (C)
TV	5A, 125VAC (S)

CONTACT DATA

Material	AgCdO, AgSnOInO	
Initial Contact Resistance	100 mΩ max. at 0.1A, 6VDC	
Service Life	Mechanical	10 ⁷ ops.
	Electrical	10 ⁵ ops.

UL/CSA/TUV RATING

Form	1 Form A (H) 1 Form C (Z)	Contact Material Code
Resistive	5A, 240VAC (TUV) 10A, 120VAC (UL/CSA) 10A, 28VDC (UL/CSA/TUV)	C
TV	5A, 125VAC (UL/CSA)	S

COIL DATA

Coil Voltage Code	Nominal Voltage (VDC)	Resistance (Ω) ±10%				Must Operate Voltage max. (VDC)	Must Release Voltage min. (VDC)
		Power Consumption					
		Standard		Sensitive			
003	3	20	0.45W	45	0.2W	2.25	0.15
005	5	55		125		3.75	0.25
006	6	80		180		4.50	0.30
009	9	180		400		6.75	0.45
012	12	320		720		9.00	0.60
024	24	1280		2800		18.00	1.20
048	48	5100				36.00	2.40

CHARACTERISTICS

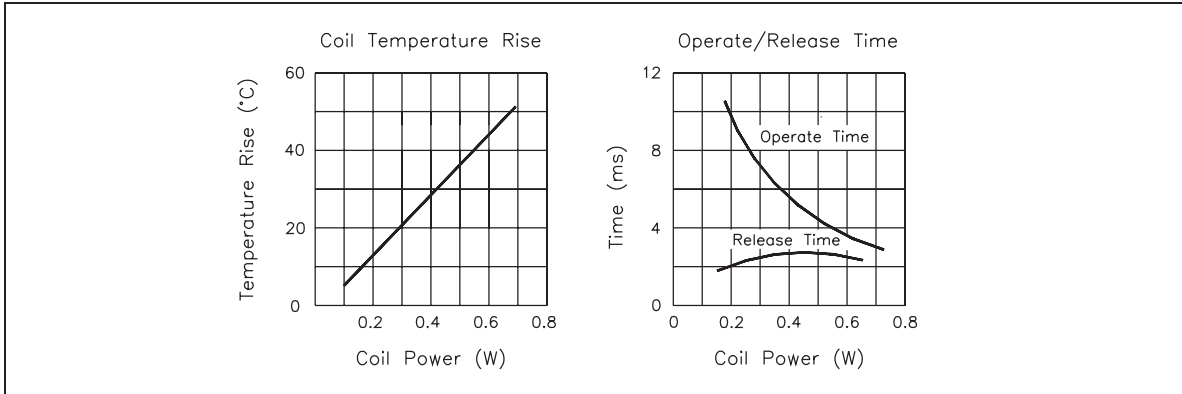
Operate Time	10 ms. max.
Release Time	4 ms. max.
Insulation Resistance	100 MΩ , at 500VDC, 50%RH
Dielectric Strength	3500 Vrms, 1 min. between coil and contacts, 1 Form A 2800 Vrms, 1 min. between coil and contacts, 1 Form C 750 Vrms, 1 min. between open contacts
Surge Resistance	5000 V
Shock Resistance	10 g, 11ms. functional; 100 g, destructive
Vibration Resistance	DA 1.5mm, 10 - 55 Hz
Ambient Temperature	-30°C to 60°C operating
Weight	6 g, approx.

ORDERING DESIGNATION

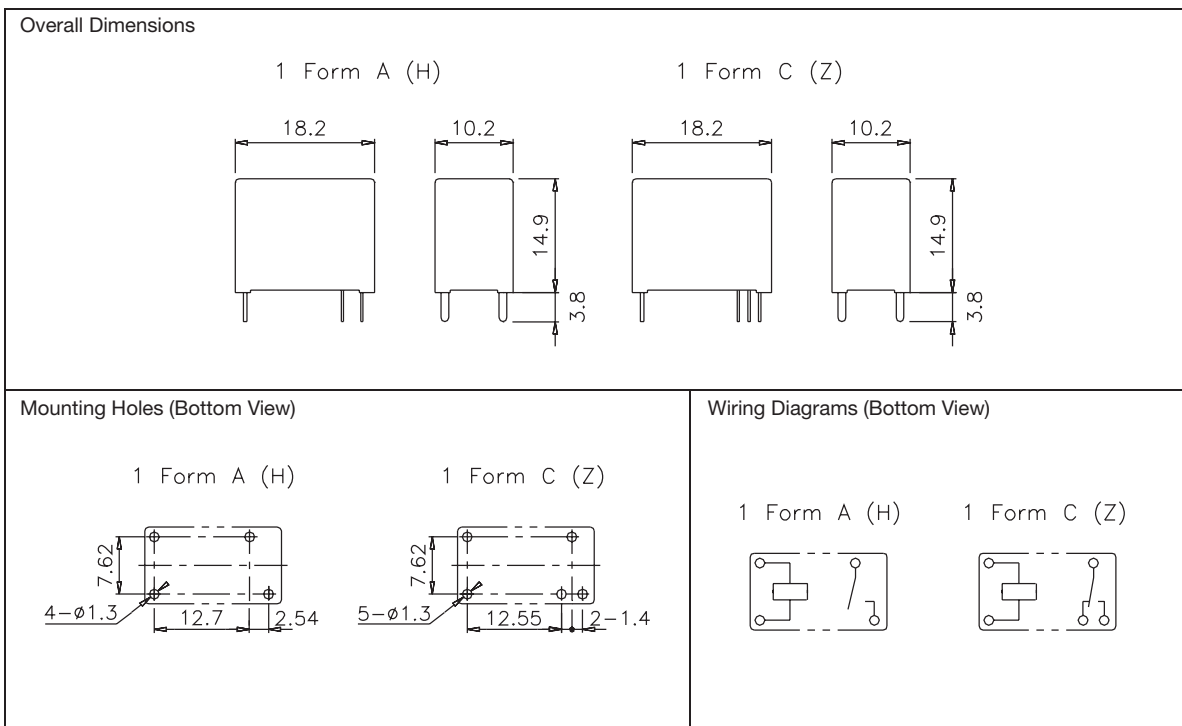
Example:	HG4183 /	012 -	H	1	C	L
Model						
Coil Voltage Code						
Contact Form						
H: 1 Form A; Z: 1 Form C						
Version						
1: Sealed; 2: Flux Free						
Contact Material						
A: AgNi0.15; C: AgCdO; S: AgSnOInO						
Coil Sensitivity						
Nil: Standard 0.45W; L: Sensitive 0.2W*						

*Note: Sensitive 0.2W (L) is only available for 1 Form A (H)

REFERENCE CURVES



OVERALL DIMENSIONS, MOUNTING HOLES AND WIRING DIAGRAMS (mm)



NOTES

1. All parameters, unless otherwise specified, are measured at ambient temperature 23°C.
2. For sensitive type L rated current is reduced to 70%
3. Custom-made services available with operational quantity. Please let us know your special requirements.
4. Specifications subject to change without prior notice.