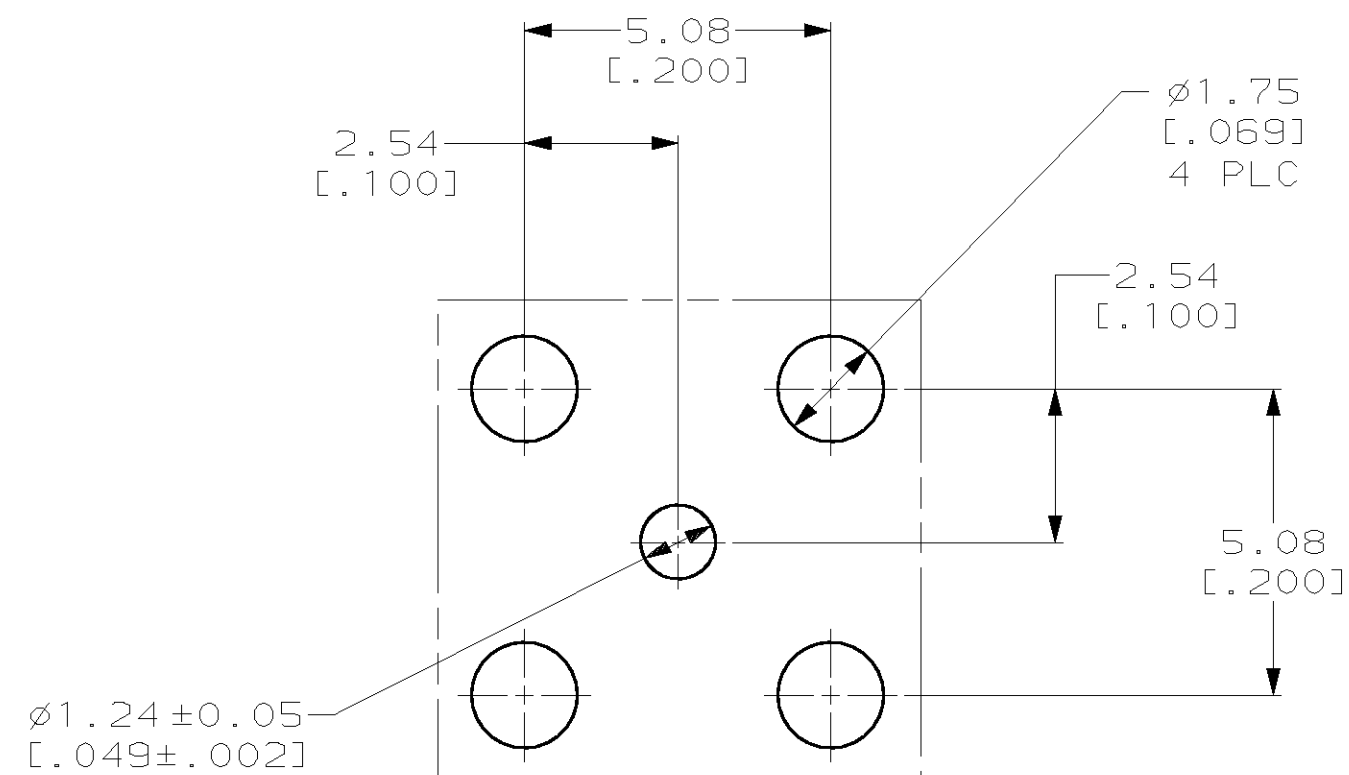
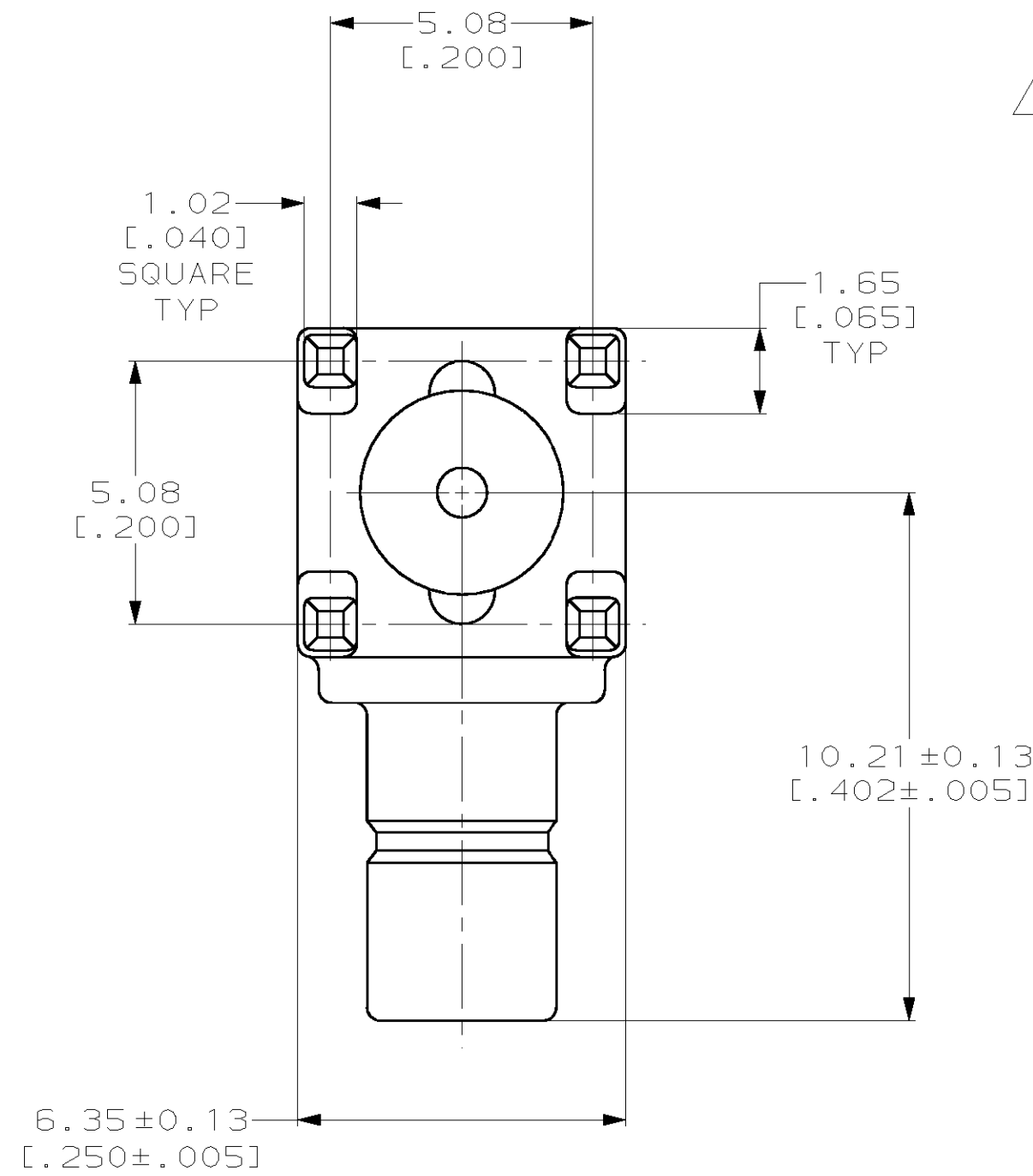
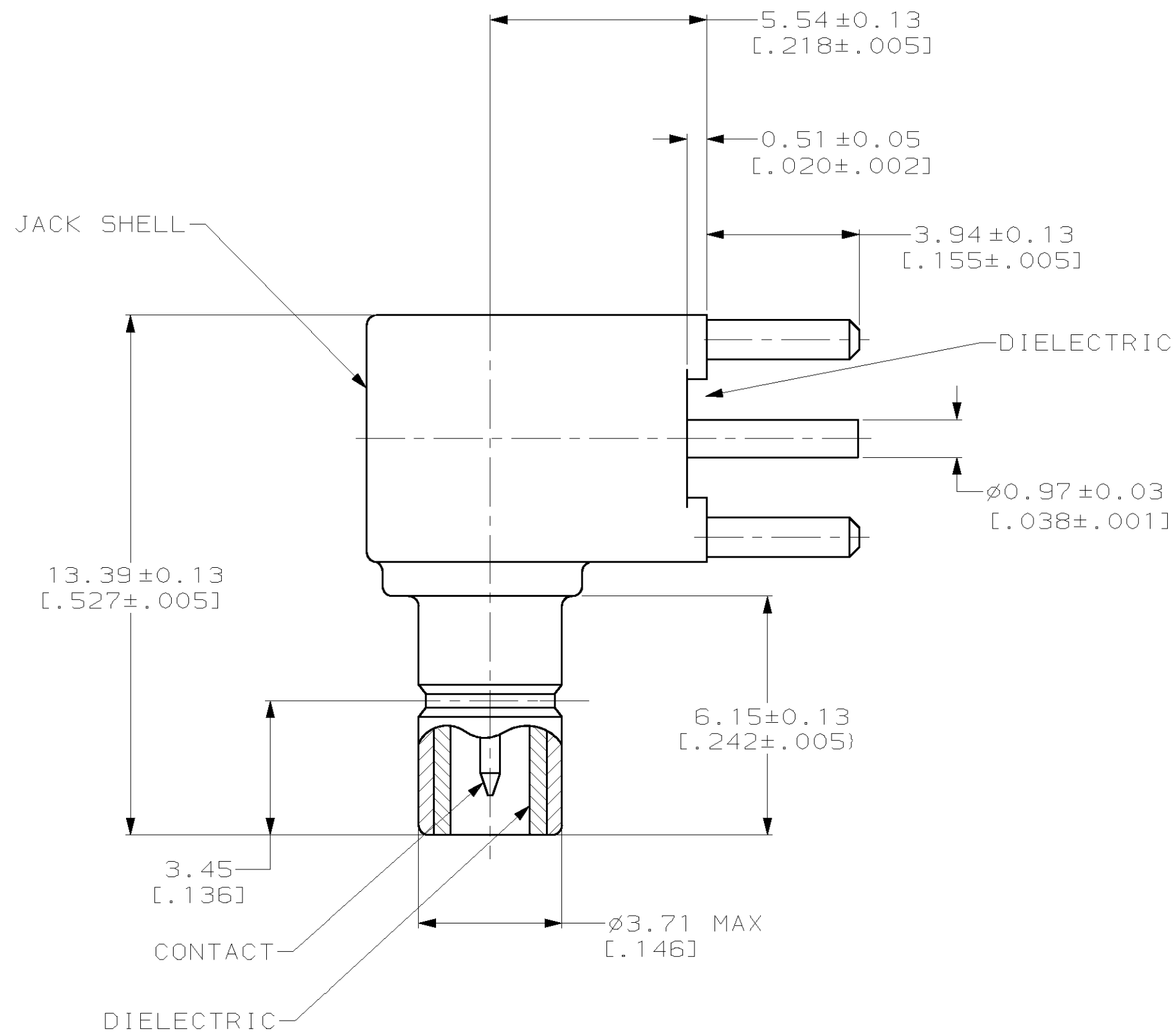


THIS DRAWING IS UNPUBLISHED. RELEASED FOR PUBLICATION .19
 © COPYRIGHT 19 BY AMP INCORPORATED. ALL RIGHTS RESERVED.

LOC		DIST		REVISIONS			
P	LTR	DESCRIPTION	DATE	DWN	APVD		
AJ	16						
	0	RELEASED PER OU20-0175-00	01MAY00	MO	BM		



- 1. MATERIALS:
 JACK SHELL: ZINC ALLOY
 CENTER CONTACT: BRASS PER QQ-B-626
 DIELECTRICS: TEFLON PER ASTM-D-1710
- 2. FINISHES:
 JACK SHELL: NICKEL PER QQ-N-290
 CENTER CONTACT: GOLD PER MIL-G-45204
- 3. INTERFACE PER MIL-C-39012.

415381-1
 PART NUMBER

THIS DRAWING IS A CONTROLLED DOCUMENT.		DWN M. O'BRINE	01MAY00	AMP AMP Incorporated Harrisburg, PA 17105-3608
DIMENSIONS: mm [INCHES]		CHK B. MOYER	01MAY00	
TOLERANCES UNLESS OTHERWISE SPECIFIED:		APVD B. MOYER	01MAY00	NAME JACK, RIGHT ANGLE, PCB, SMB
0 PLC ±-		PRODUCT SPEC	-	
1 PLC ±-		APPLICATION SPEC	-	SIZE A2
2 PLC ±0.08 [.003]		WEIGHT	-	CAGE CODE 00779
3 PLC ±-		CUSTOMER DRAWING	-	DRAWING NO C-415381
4 PLC ±-		SCALE	8:1	SHEET 1 OF 1
ANGLES ±-		REV	0	
FINISH				

415381