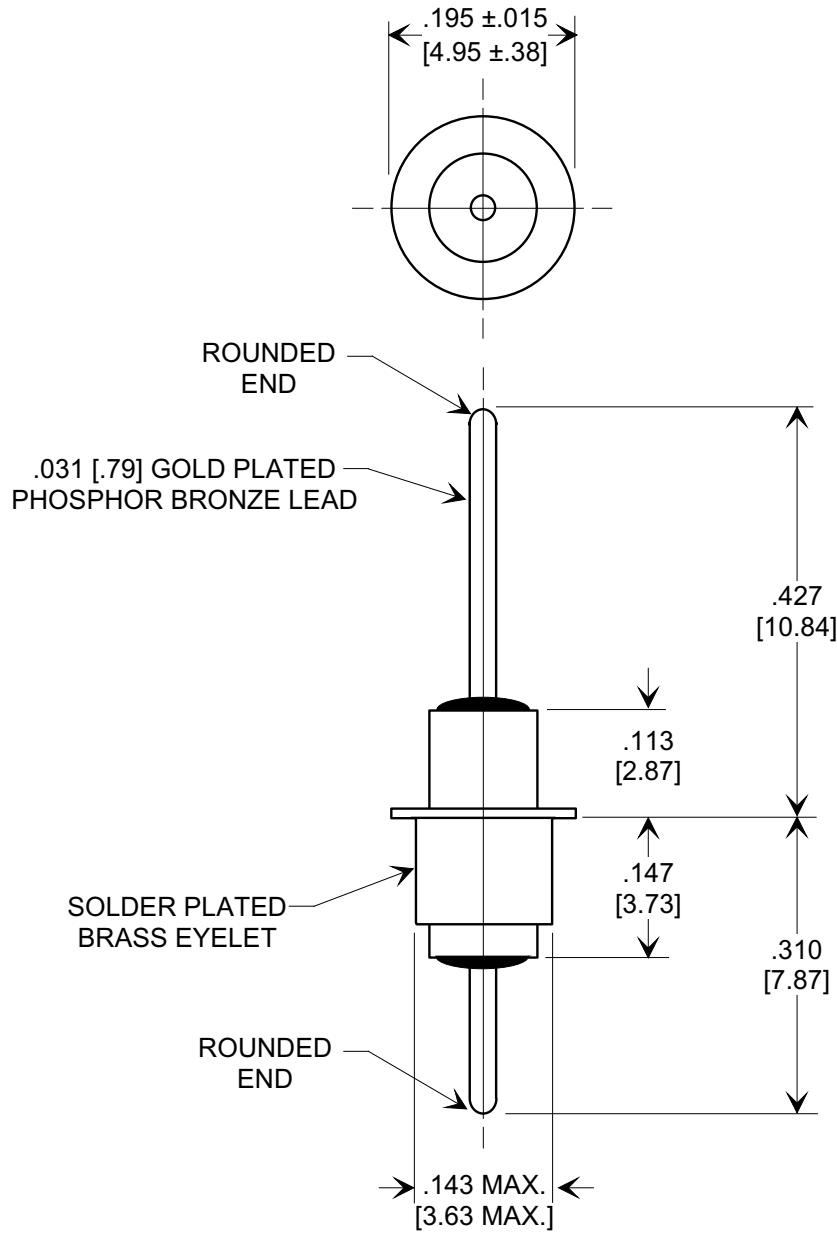
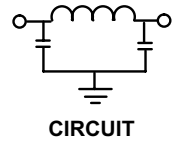
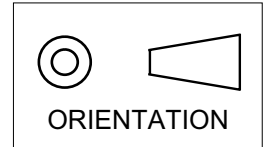


MARKETING SALES DRAWING

DIMENSIONS IN INCHES - DO NOT SCALE THIS DRAWING
 DIMENSIONS IN METRIC - []

Electrical Testing
 per Tusonix standard
 test plans and Mil-Std-202
 Test Methods.



MIN. CAP.	125°C Working Voltage	Current IDC	Minimum No Load Insertion Loss (dB) at 25°C per Mil-Std-220			
			10 MHz	100 MHz	1 GHz	10 GHz
12,000 pF	70 VDC	10 A	25	70	65	65

X-2015 Rev-0 REVISION RECORD Original Release C.O. WAS SK 7690-001 L.E. 10-12-00 20001006-1-04 0	--TOLERANCES-- Unless Otherwise Specified		Title MULTILAYER EYELET STYLE EMI FILTER	
	DECIMAL ± .031		Drawn S.M. 10-06-00	Scale 5 X
	ANGLES ±		Approved T.C. 10-06-00	
	TUSONIX TUCSON, ARIZONA		A	4151-011