

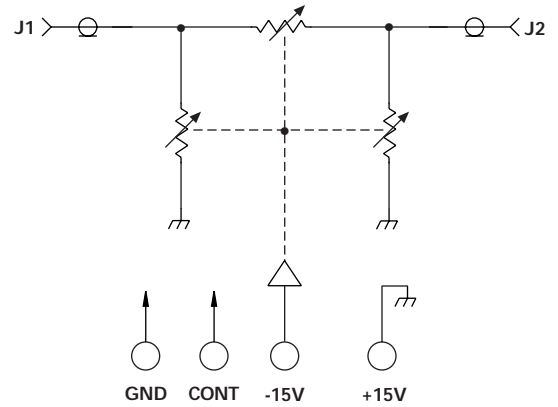
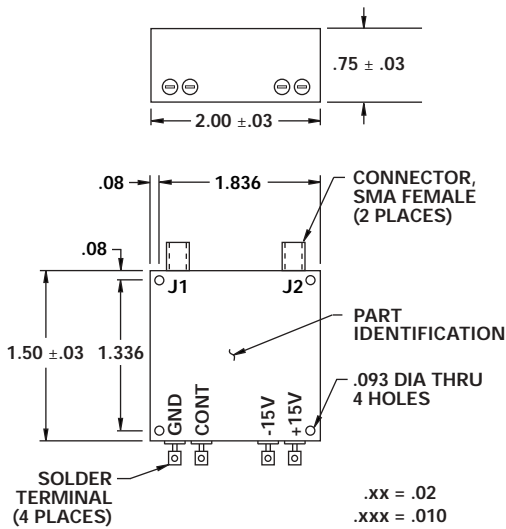
## FEATURES

- 20 - 300 MHz
- 53 dB Linear Range
- SMA Connectors
- See DA0098 For DIP Version



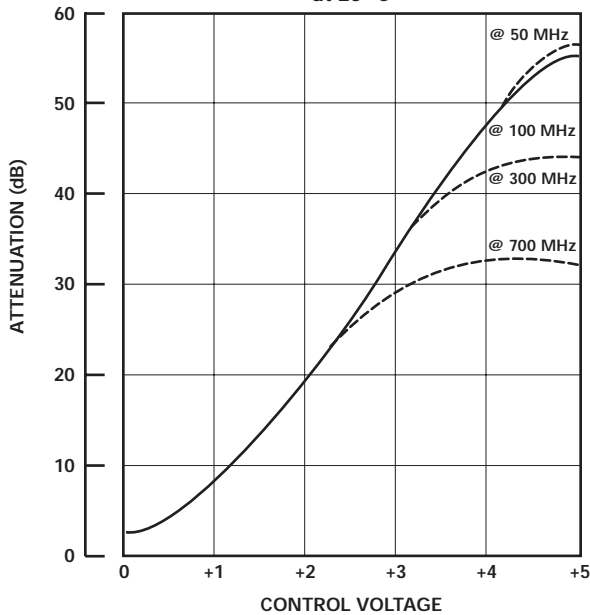
MODEL NO.  
100C0912

PIN Diode Linear VCA



## TYPICAL PERFORMANCE

Attenuation vs Control Voltage  
at 25° C



## GUARANTEED PERFORMANCE

Parameter	Min	Typ	Max	Units	Conditions
Operating Frequency	20		300	MHz	
DC Current		42	65	mA	At +15 VDC Supply
		80	110	mA	At -15 VDC Supply
Control Current (10k ohm input impedance)			0.5	mA	0 V = Insertion Loss +5 V = Max. Atten.
Insertion Loss			2	dB	At 0 V
Attenuation	Range	40	52	dB	At 100 MHz
	Slope		$15 \pm 3$	dB/V	
	Linearity		$\pm 2$	dB	Best Straight Line Fit From IL +2 dB to 40 dB
VSWR			1.4/1		
Impedance		50		OHMS	
Slew Rate		6		dB/ $\mu$ s	
RF Power	Operate		+10	dBm	
	No Damage		+20	dBm	
Operating Temperature	-55	+25	+85	°C	TA