

## Type: S-5LB, S-5LBN

### ◆ Product Description

- 6.0×6.0mm Max.(L×W), 6.0mm Max. Height. (S-5LB)
- 5.5×5.5mm Max.(L×W), 6.0mm Max. Height. (S-5LBN)
- Inductance: 1.0μH Max.
- Operating frequency: 300MHz Max.
- In addition to the reference versions of parameters shown here, custom designs are available to meet your exact requirements.

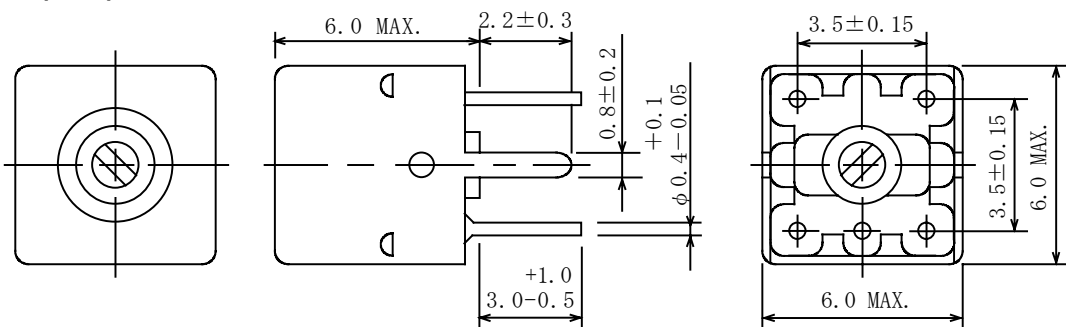
### ◆ Feature

- Variable type.
- Both shielded(S-5LB) and unshielded(S-5LBN) types are available.
- RoHS Compliance

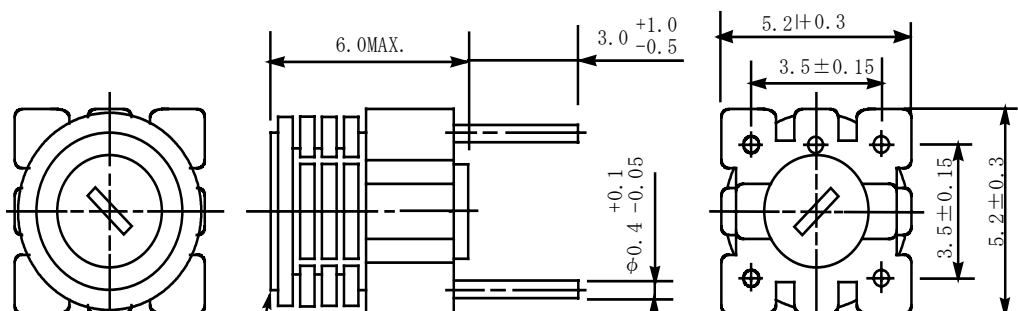
### ◆ Dimensions (mm)



S-5LB



S-5LBN

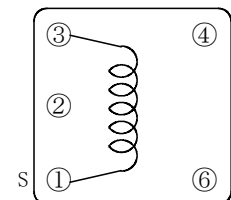


\* Dimension does not include solder used on coil.

\* Pin pitch should be measured at the root of terminal.

**Type: S-5LB, S-5LBN**

## ◆ Connection (Bottom View)



“S” is winding start.

## ◆ Specification (S-5LBN) (Part No. S0995464)

Item	(1-3)	Measuring Condition
Tuning Capacity	28.7pF ± 5% Variable	100MHz
Unloaded Qu	60 Min.	100MHz

## ◆ Specification (S-5LB)

NO.	Pare No.	Stamp	Turn(T)	Tuning Capacity or Tuning Inductance <Variable>	Unloaded Qu<Min>	Measuring Frequency[MHz]
01	S5-R10-NP	R10	3½	25.3pF±3%	30	100
02	S5-R11-NP	R11	4½	23.0pF±3%	30	100
03	S5-R12-NP	R12	4½	21.1pF±3%	30	100
04	S5-R13-NP	R13	4½	19.5pF±3%	30	100
05	S5-R15-NP	R15	5½	16.9pF±3%	30	100
06	S5-R16-NP	R16	5½	15.8pF±3%	30	100
07	S5-R18-NP	R18	5½	14.1pF±3%	30	100
08	S5-R20-NP	R20	6½	12.7pF±3%	30	100
09	S5-R22-NP	R22	6½	18.0pF±3%	30	80
10	S5-R24-NP	R24	7½	16.5pF±3%	30	80
11	S5-R27-NP	R27	7½	14.7pF±3%	30	80
12	S5-R30-NP	R30	7½	0.30 μ H ± 3%	20	25.2
13	S5-R33-NP	R33	8½	0.33 μ H ± 3%	20	25.2
14	S5-R36-NP	R36	9½	0.36 μ H ± 3%	20	25.2
15	S5-R39-NP	R39	9½	0.39 μ H ± 3%	20	25.2
16	S5-R43-NP	R43	10½	0.43 μ H ± 3%	20	25.2
17	S5-R47-NP	R47	10½	0.47 μ H ± 3%	20	25.2
18	S5-R51-NP	R51	11½	0.51 μ H ± 3%	20	25.2
19	S5-R56-NP	R56	11½	0.56 μ H ± 3%	20	25.2
20	S5-R62-NP	R62	12½	0.62 μ H ± 3%	20	25.2
21	S5-R68-NP	R68	13½	0.68 μ H ± 3%	20	25.2
22	S5-R75-NP	R75	14½	0.75 μ H ± 3%	20	25.2
23	S5-R82-NP	R82	15½	0.82 μ H ± 3%	20	25.2
24	S5-R91-NP	R91	16½	0.91 μ H ± 3%	20	25.2
25	S5-1R0-NP	1R0	17½	1.0 μ H ± 3%	15	7.96

Please refer to the sales offices on our website for a representative near you

[www.sumida.com](http://www.sumida.com)

2/2