

FEATURES

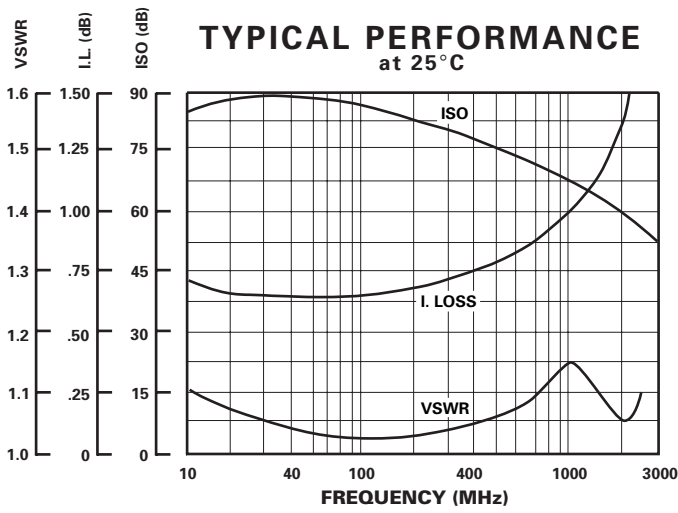
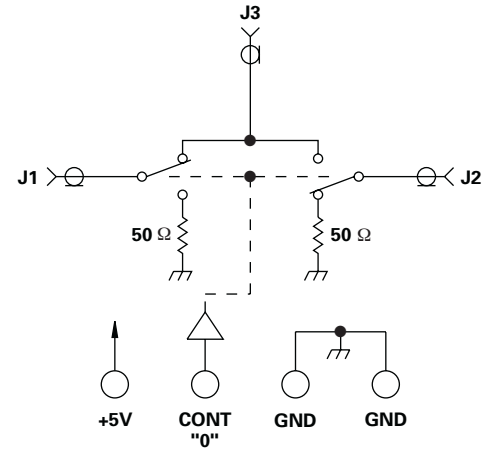
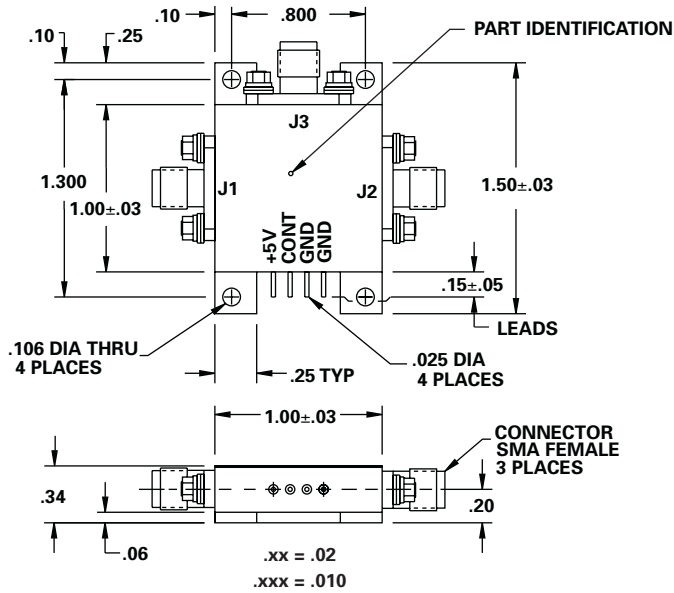
- 20 - 2000 MHz
- 70 dB Isolation up to 1 GHz
- TTL Driver
- Non-Reflective
- Replaceable SMA Connectors



**MODEL NO.
CDS0622**

PIN Diode SP2T

SP2T



GUARANTEED PERFORMANCE

| Parameter | Min | Typ | Max | Units | Conditions |
|------------------------------|-----------|--------|-------|-------|------------------------------------------------------|
| Operating Frequency | 20 | | 2000 | MHz | |
| DC Current | | 8.5 | 12 | mA | At +5 VDC Supply |
| Control Type | | TTL | | | 1 Line Logic "0" = J3 - J1 Logic "1" = J3 - J2 |
| Control Current | | 0 | ±10 | µA | VIH = +2.7V VIL = +0.5V |
| Insertion Loss | | .74 | 1.0 | dB | 20 - 100 MHz |
| | | .90 | 1.25 | dB | 100 - 1000 MHz |
| | | 1.30 | 2.0 | dB | 1000 - 2000 MHz |
| Isolation | 75 | 85 | | dB | 20 - 100 MHz |
| | 60 | 75 | | dB | 100 - 1000 MHz |
| | 50 | 60 | | dB | 1000 - 2000 MHz |
| VSWR | | 1.15/1 | 1.3/1 | | Thru |
| | | 1.15/1 | 1.5/1 | | Termination |
| Impedance | | 50 | | OHMS | |
| Switching Speed | | 1.5 | 3 | µSEC | 50% TTL to 90% / 10% RF |
| Transition (Rise/Fall) Time | | 0.3 | | µSEC | 90% / 10% or 10% / 90% RF |
| Switching (Video) Transients | | 700 | | mV | Peak Value |
| Intercept Points | 2nd | +69 | | dBm | 50 MHz / 70 MHz |
| | 3rd | +37 | | dBm | 50 MHz / 35 MHz |
| RF Power | Operate | +14 | +10 | dBm | 20 - 100 MHz |
| | | +21 | +17 | dBm | 100 - 2000 MHz |
| | No Damage | | +27 | dBm | |
| Operating Temperature | -55 | +25 | +125 | °C | TA |