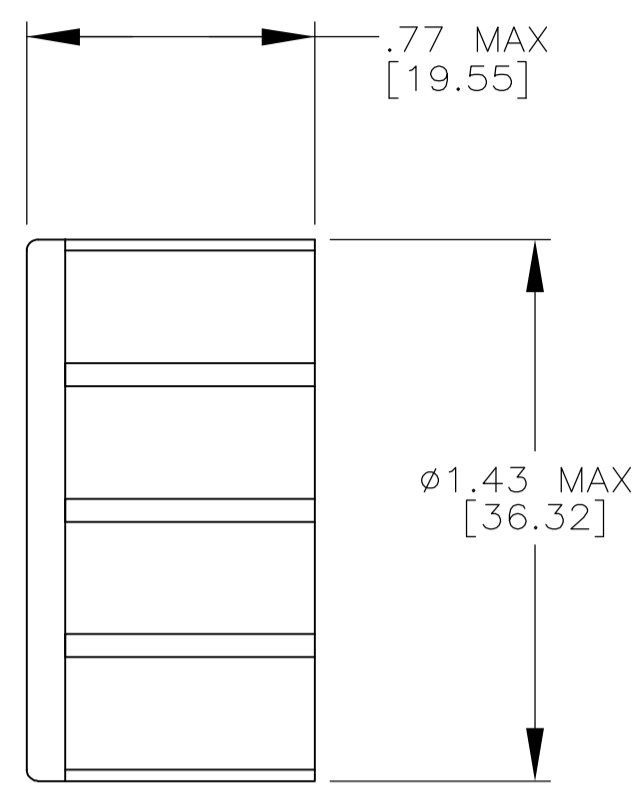
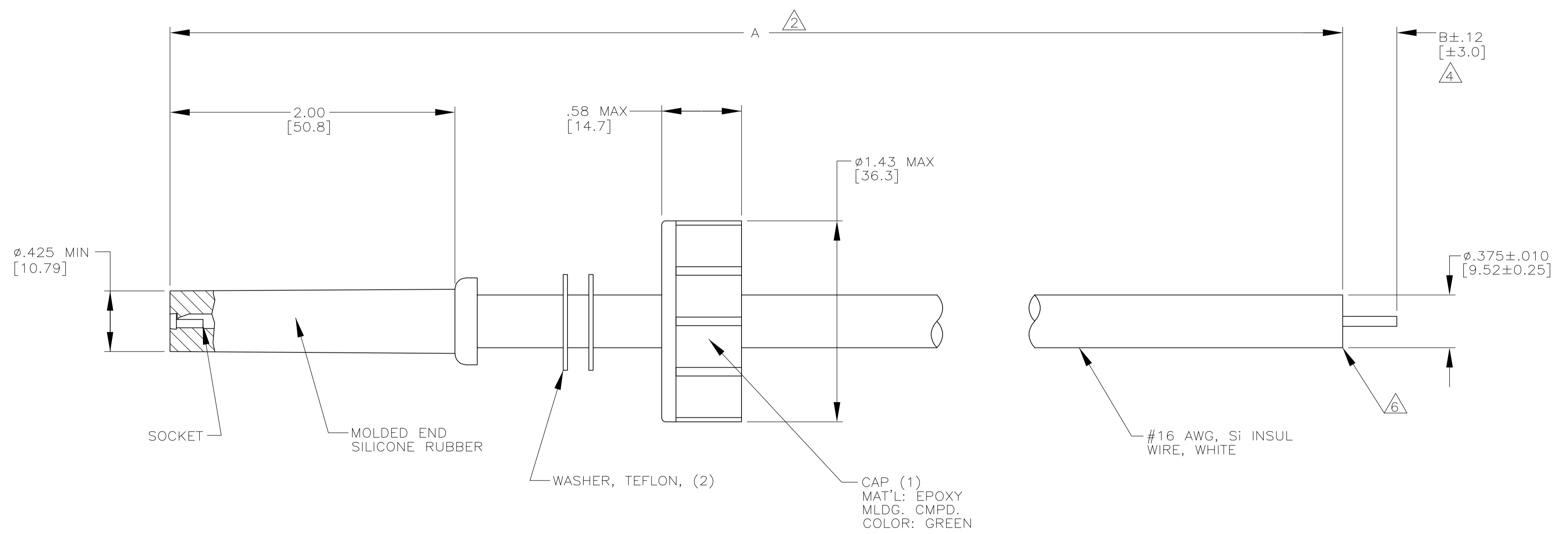


LOC	DIST	REVISIONS					
		REV	PER	DESCRIPTION	DATE	DWN	APVD
V		REV PER	ECO-05-002357		08-05	AA	DE

PART NO.	A	B	REMARKS
846290-1	12.00 [304.8]	.38 [9.7]	△
846290-2	16.00 [406.4]	.38 [9.7]	△
846290-3	24.00 [609.6]	.38 [9.7]	△
846290-4	48.00 [1219.2]	.38 [9.7]	△
846290-5	39.00 [990.6]	.38 [9.7]	△
846290-6	36.00 [914.4]	.38 [9.7]	△
846290-7	15.75 [400.0]	-	△
846290-8	72.00 [1828.8]	.38 [9.7]	△
846290-9	60.00 [1524.0]	.38 [9.7]	△
1-846290-0	84.00 [2133.6]	.38 [9.7]	△
1-846290-1	96.00 [2438.4]	.38 [9.7]	△
1-846290-2	56.00 [1422.4]	.38 [9.7]	△
1-846290-3	600.00 [15240.0]	.38 [9.7]	△
1-846290-4	20.00 [508.0]	.38 [9.7]	△
1-846290-5	30.00 [762.0]	.38 [9.7]	△
1-846290-6	18.00 [457.2]	.38 [9.7]	△
1-846290-7	6.00 [152.4]	.38 [9.7]	△
1-846290-8	7.00 [177.8]	.38 [9.7]	△
1-846290-9	8.50 [215.9]	.38 [9.7]	△
2-846290-0	16.50 [419.1]	.38 [9.7]	△
2-846290-1	9.00 [228.6]	.38 [9.7]	△
2-846290-2	10.00 [254.0]	.38 [9.7]	△
2-846290-3	21.00 [533.4]	.38 [9.7]	△
2-846290-4	32.00 [812.8]	.38 [9.7]	△
2-846290-5	28.00 [711.2]	.38 [9.7]	△
2-846290-6	82.00 [2082.8]	.38 [9.7]	△
2-846290-7	76.00 [1930.4]	.38 [9.7]	△
2-846290-8	120.00 [3048.0]	.38 [9.7]	△
2-846290-9	54.00 [1371.6]	.38 [9.7]	△
3-846290-0	78.75 [2000.2]	.38 [9.7]	△
3-846290-1	32.50 [825.5]	.38 [9.7]	△
3-846290-2	394.00 [10007.6]	.38 [9.7]	△
3-846290-3	50.00 [1270.0]	.38 [9.7]	△
3-846290-4	787.00 [19989.8]	.38 [9.7]	△
3-846290-5	39.38 [1000.3]	.38 [9.7]	△
3-846290-6	27.00 [685.8]	.38 [9.7]	△
3-846290-7	198.00 [5029.2]	.38 [9.7]	△
3-846290-8	32.00 [812.8]	.38 [9.7]	△
3-936566-9	40.00 [1016.0]	.38 [9.7]	△
4-846290-0	315.00 [8001.0]	.38 [9.7]	△
4-846290-1	1181.00 [29997.4]	.38 [9.7]	△
4-846290-2	65.00 [1651.0]	.38 [9.7]	△
4-846290-3	87.00 [2209.8]	.38 [9.7]	△
4-846290-4	48.00 [1219.2]	.38 [9.7]	△
5-846290-1	12.00 [304.8]	.38 [9.7]	△
5-846290-3	24.00 [609.6]	.38 [9.7]	△
5-846290-4	48.00 [1219.2]	.38 [9.7]	△
5-846290-6	36.00 [914.4]	.38 [9.7]	△
5-846290-7	15.75 [400.0]	-	△
6-846290-2	56.00 [1422.4]	.38 [9.7]	△
6-846290-4	20.00 [508.0]	.38 [9.7]	△
6-846290-5	30.00 [762.0]	.38 [9.7]	△
6-846290-6	18.00 [457.2]	.38 [9.7]	△
7-846290-0	16.50 [419.1]	.38 [9.7]	△
7-846290-6	82.00 [2082.8]	.38 [9.7]	△
7-846290-8	120.00 [3048.0]	.38 [9.7]	△
8-846290-7	198.00 [5029.2]	.38 [9.7]	△
9-846290-0	315.00 [8001.0]	.38 [9.7]	△
9-846290-1	1181.00 [29997.4]	.38 [9.7]	△
9-846290-4	48.00 [1219.2]	.38 [9.7]	△



4-846290-2 & 4-846290-4 ONLY



1. MARKED PER MIL-STD-130.
- △ TOLERANCE OF LEAD LENGTH:
UP TO 24 INCHES [609.6] = ±.12 [3.0]
24 INCHES [609.6] & UP = 1%
3. OPERATING VOLTAGE: 50 KVDC AT 0 TO 70,000 FEET, -55°C TO 125°C.
- △ WHERE APPLICABLE "B" LENGTH IS SOLDER DIPPED.
5. TO MATE WITH WITH AMP LGH-4 RECEPTACLE WITH 2.00 [50.80] BARREL DEPTH.
- △ INSULATION CUT, BUT NOT REMOVED.

THIS DRAWING IS A CONTROLLED DOCUMENT.		DWN C.C.THOMAS 11-DEC-89	 Tyco Electronics Corporation Harrisburg, Pa 17105-3608
DIMENSIONS: INCHES [mm]		CHK S.GLATFELTER 19-DEC-89	
TOLERANCES UNLESS OTHERWISE SPECIFIED: 0 PLC ± - 1 PLC ± - 2 PLC ± .02 [0.5] 3 PLC ± - 4 PLC ± - ANGLES ± -		APVD G.SCHEFFER 19-DEC-89	NAME LEAD ASSY SGL END LGH-4
MATERIAL SEE CALLOUTS		FINISH -	RESTRICTED TO -
CUSTOMER DRAWING		SCALE 2:1	SHEET 1 OF 1
SIZE A1		CAGE CODE 00779	DRAWING NO 846290