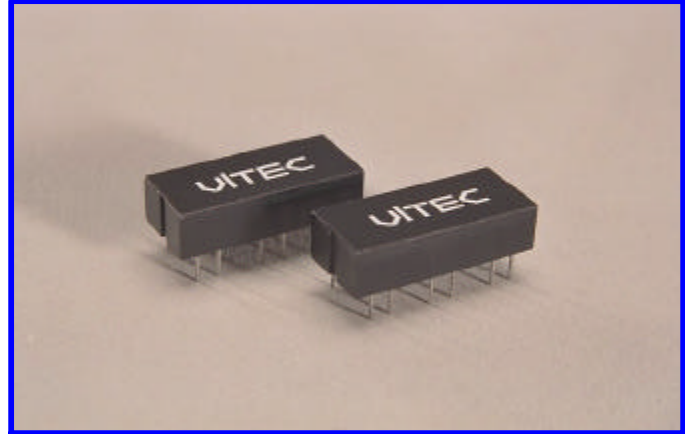


TYPE 24Z - DIL ISOLATION TRANSFORMERS

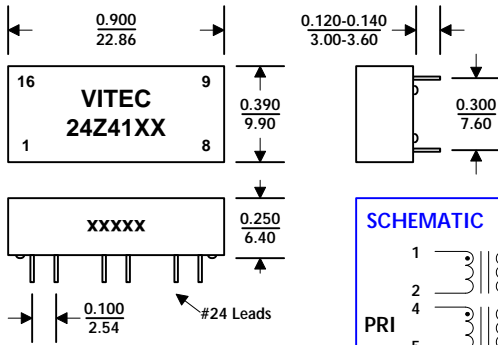
Ethernet/10Base-T

FEATURES

- Designed to meet or exceed IEEE 802.3.
- High isolation voltage to comply with international safety requirements for LAN.
- Low profile Epoxy encapsulated construction.
- Meets UL 1950.
- Low cost.
- Common mode chokes available.

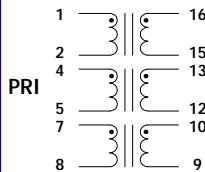


PACKAGE 1

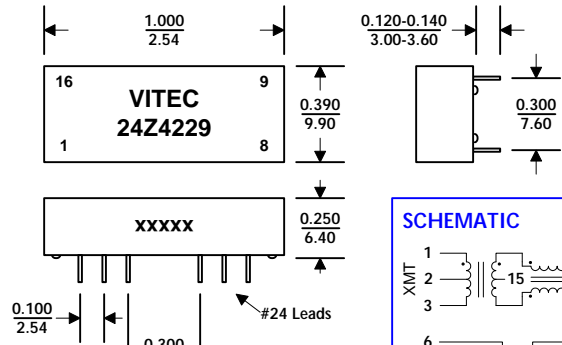


Dimensions Inches/mm +/- 0.01" Unless noted

SCHEMATIC

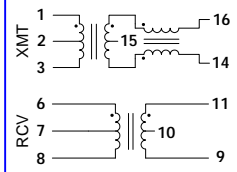


PACKAGE 2



Dimensions Inches/mm +/- 0.01" Unless noted

SCHEMATIC



ELECTRICAL CHARACTERISTICS @ 25°C

Part Number	Turns Ratio	LP	Pri/Sec	Pri/Sec	Pri	Dielectric Test	Rise Time	ET Constant	Package	
			Cc	LL	DCR					
		uH	pF	uH	Ohms	Vrms	ns	V-us		
		MIN	MAX	MAX	MAX	MAX	MAX	MIN		
24Z4105	1:1	35	8	0.25	0.3	2000	3.5	1.8	1	
24Z4106	1:1	50	9	0.25	0.3	2000	3.5	2.2	1	
24Z4107	1:1	75	10	0.25	0.3	2000	3.5	2.4	1	
24Z4108	1:1	100	10	0.25	0.4	2000	3.5	2.5	1	
24Z4109	1:1	150	12	0.25	0.5	2000	3.5	3.0	1	
24Z4229	Turns Ratio	LP		Pri/Sec	Pri/Sec	Pri DCR	Sec DCR	ET Constant	2	
		mH		pF	mH					Ohm
	+/- 2%		MIN		MAX	MAX	MAX	MAX		
	XMT	RCV	XMT	RCV	12	0.30	XMT	RCV		2000
	1CT:2CT	1CT:1CT	50	200			0.35	0.50		