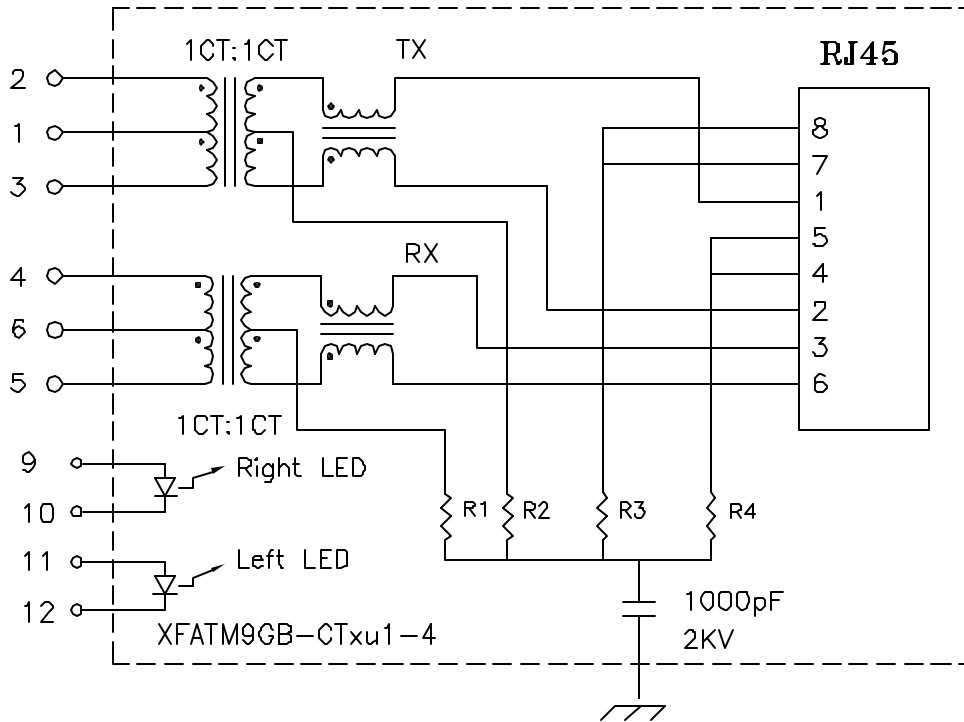


Schematic:



R1,R2,R3,R4: 75 OHMS

Electrical Specifications: @25°C

- Isolation Voltage: 1500 Vrms (Input to Output)
- Isolation Voltage: 500 Vrms (P1+2+3 to P4+5+6)
- Turns Ratio: TX 1CT:1CT $\pm 3\%$ RX 1CT:1CT $\pm 3\%$
- CABLE SIDE OCL: 350uH Minimum @100KHz 100mV 8mADC
- Cw/w: 27pF Typical @100KHz 100mV
- Insertion Loss (300KHz-100MHz): -1.0dB Max
- Return Loss: @30MHz -18dB Minimum
- @80MHz -12dB Minimum
- Crosstalk: @1MHz -70dB Minimum
- @30MHz -45dB Minimum
- @50MHz -40db Minimum
- @100MHz -35dB Minimum
- CMMR: @0.1-100MHz -30dB Minimum
- CMR: @0.1-100MHz -40dB Minimum

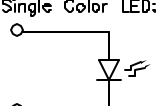
Notes:

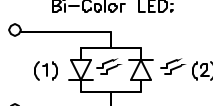
Complete the Combo P/N as follows:

Replace 'x' & 'u' in the part number with one of the LED color letters:

Y=Yellow
G=Green
A=Amber
R=Red
C=Green(1)/Amber(2) Bicolor
D=Amber(1)/Green(2) Bicolor
M=Green(1)/Yellow(2) Bicolor
N=Yellow(1)/Green(2) Bicolor
P=Red(1)/Green(2) Bicolor
Q=Green(1)/Red(2) Bicolor

'x' = Left LED Color
'u' = Right LED Color

Single Color LED: 

Bi-Color LED: 

1. Solderability: Leads shall meet MIL-STD-202G, Method 208H for solderability.
2. Flammability: UL94V-0
3. ASTM oxygen index: > 28%
4. Insulation System: Class F 155°C. UL file E151556
5. Operating Temperature Range: All listed parameters are to be within tolerance from -40°C to +85°C
6. Storage Temperature Range: -55°C to +125°C
7. Aqueous wash compatible
8. Electrical and mechanical specifications 100% tested
9. RoHS Compliant Component

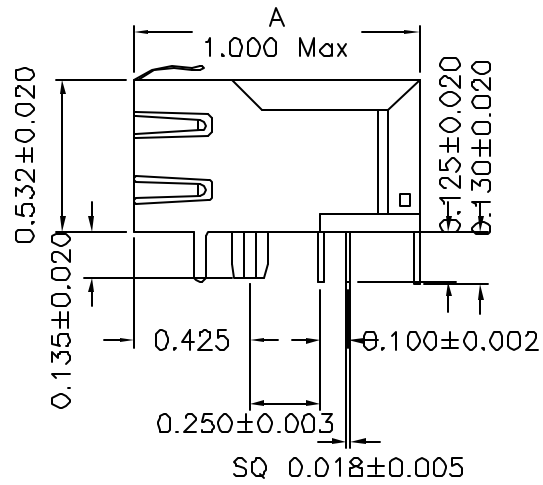
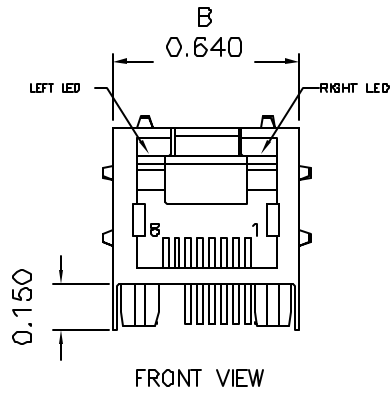
DOC. REV A/7

| | | | |
|-----------------------------------------------------------------------|------------------------------------------------------------|----------|-----------------------|
| XFMRs Inc. www.XFMRs.com | Title: SINGLE PORT COMBO | | |
| | UNLESS OTHERWISE SPECIFIED TOLERANCES: .xxx ± 0.010 | | P/N: XFATM9GB-CTxu1-4 |
| Dimensions in Inch | DWN. | Juan Mao | Mar-02-07 |
| SHEET 1 OF 2 | CHK. | YK Liao | Mar-02-07 |
| | APP. | BW | Mar-02-07 |

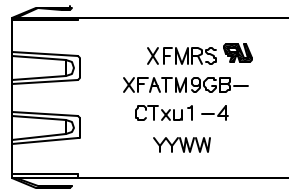
PROPRIETARY:

Document is the property of XFMRs Group & is not allowed to be duplicated without authorization.

Mechanical Dimensions:

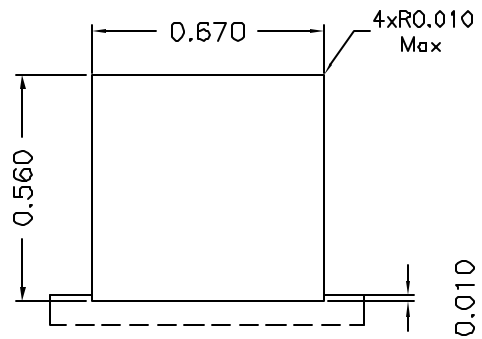
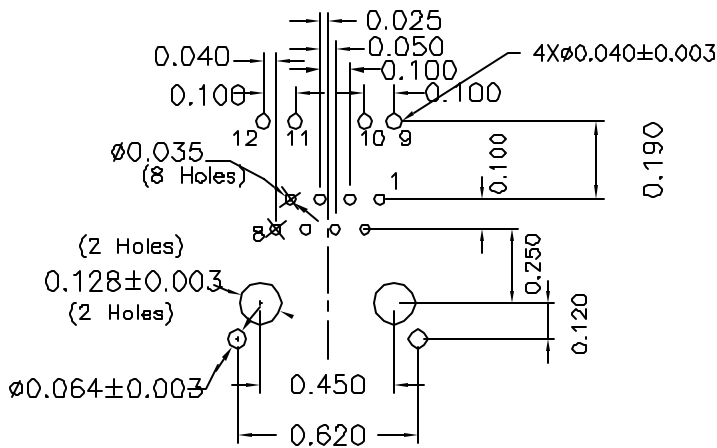


*Remove Pin#7,8



TOP VIEW

Mounting Pattern:



FACE VIEW
RECOMMENDED PANEL CUTOUT

DOC. REV A/7

| | | | |
|-----------------------------------------------------------------------|--------------------------------------------------------------------------------|-----------------------|-----------|
| XFMR5 Inc. www.XFMR5.com | Title: Mechanical Dimensions For TAB UB RJ45 COMBO | | |
| | UNLESS OTHERWISE SPECIFIED TOLERANCES: .xxx ±0.010 Dimensions in Inch | P/N: XFATM9GB-CTxu1-4 | REV. A |
| SHEET 2 OF 2 | CHK. YK Liao Mar-02-07 | APP. BW Mar-02-07 | Mar-02-07 |

PROPRIETARY:

Document is the property of XFMR5 Group & is not allowed to be duplicated without authorization.