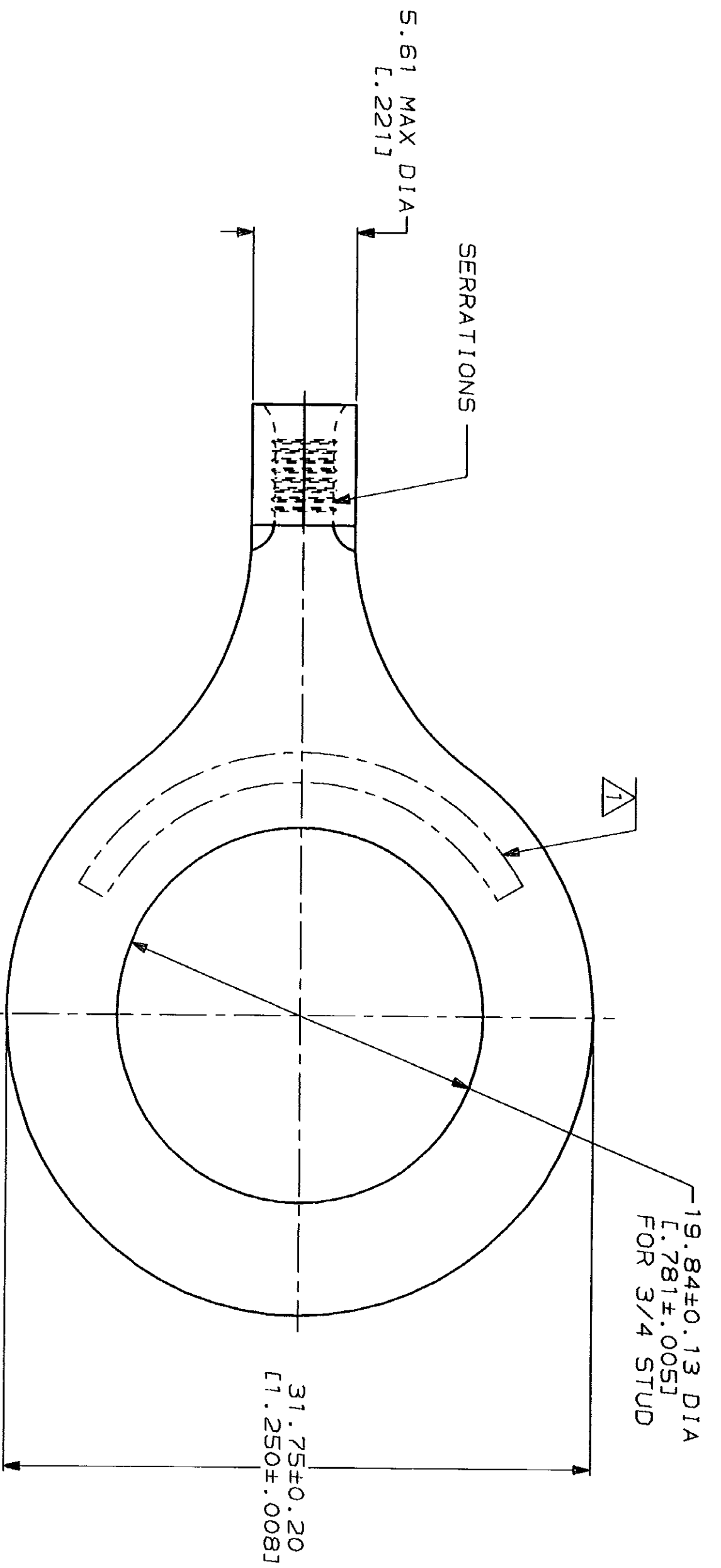


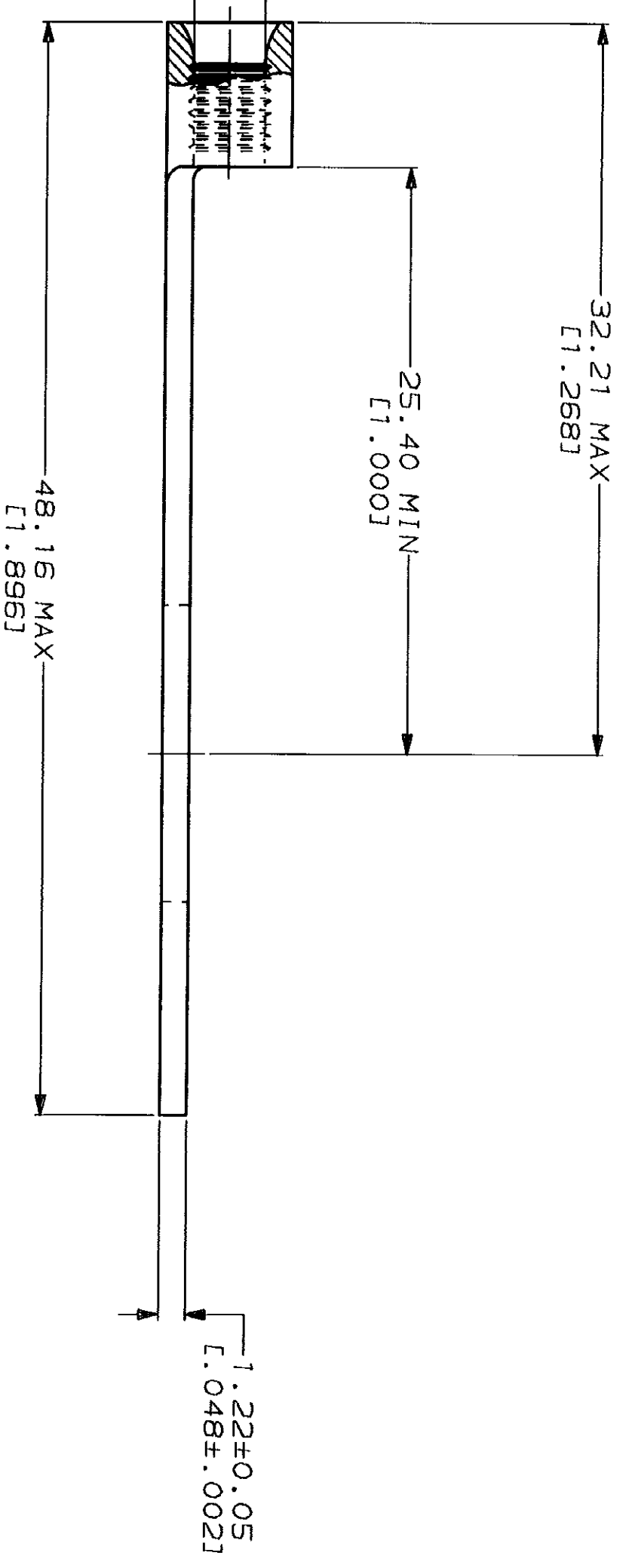
LOC	DIST	ZONE	LTR	DESCRIPTION	DATE	APPD
G	14	P	F	RELEASED PER 0720-0008-93	2-1-93	MB

**METRIC**  
 DIMENSIONS LISTED IN mm [ INCHES ]



<b>AMP</b> WIRE RANGE	<b>UL</b> E13288 Listed
16-14HD AWG STRANDED	16-14HD AWG STRANDED
<b>LR7189</b> Certified	MILITARY P/N AND CLASS
NOT CERTIFIED	NOT APPLICABLE

△ STAMP AMP 16-14HD\* APPROX AS SHOWN



**AMP INCORPORATED  
 CUSTOMER SERVICE SYSTEMS**

FOR ADDITIONAL  
 PRODUCT INFORMATION OR  
 COPIES OF DRAWINGS  
 AND TECHNICAL DOCUMENTS  
 FOR APPLICATION  
 TOOLING INFORMATION  
 FOR ORDER ENTRY

MAX RECOMMENDED OPERATING  
 TEMPERATURE:  
 170°C MAX

VOLTAGE RATING:  
 NOT APPLICABLE

WIRE CROSS SECTIONAL AREA RANGE:  
 1.04-2.62mm<sup>2</sup> [2.050-5.180] CIR MILS  
 STRANDED

PRODUCT INFORMATION CENTER  
 1-800-522-6752

TOOLING ASSISTANCE CENTER  
 1-800-722-1111

1-800-526-5142

DO NOT SCALE PRINT.  
 UNLESS SPECIFIED  
 DIMENSIONS IN mm [ INCHES ]  
 TOLERANCES ON:  
 2 PLG DEC #  
 3 PLG DEC #  
 ANGLES  
 MATERIAL  
 COPPER PER  
 ASTM B-152  
 ANNEALED

FINISH  
 TIN PLATE  
 0.00254 [1.000100] MIN  
 THK PER MIL-T-10727

DR 2-1-93  
 1A BRINKMAN  
 CHK 2-1-93  
 DA PATTERSON  
 APPD 2-1-93  
 DE MILLER  
 APPD 2-1-93  
 JL NECKLEY  
 PRODUCT SPEC  
 APPLICATION SPEC  
 WEIGHT  
 SCALE 4:1

**AMP**  
 AMP Incorporated  
 Harrisburg, PA 17105-3608

TERMINAL, RING TONGUE,  
 HEAVY DUTY, BUDGET

36201  
 PART NO

36201