

DESCRIPTION

SC6928 is an LED Controller driven on a 1/7to 1/8 duty factor. Eleven segment output lines, six grid output lines, 1 segment/grid output lines, one display memory, control circuit , key scan circuit are all incorporated into a single chip to build a highly reliable peripheral device for a single chip microcomputer. Serial data is fed to SC6928 via a four-line serial interface. Housed in a 28-pin SO Package, SC6928 pin assignments and application circuit are optimized for easy PCB Layout and cost saving advantages.

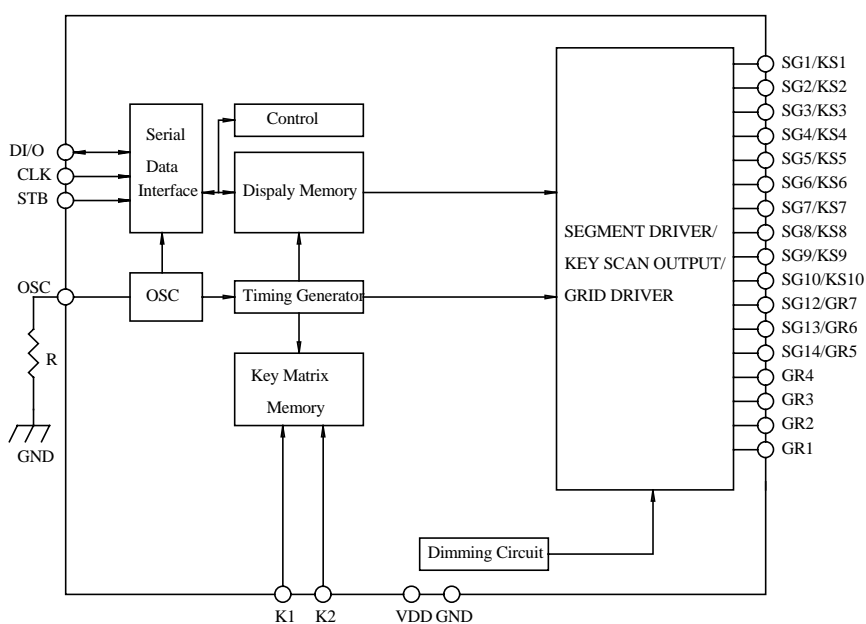
FEATURES

- CMOS Technology
- Low Power Consumption
- Multiple Display Modes
- Key Scanning
- 8-Step Dimming Circuitry
- Serial Interface for Clock, Data Input, Data Output, Strobe Pins
- Available in 28-Pin, SOP Package

APPLICATION

- Micro-computer Peripheral Device
- VCR set
- Combi set

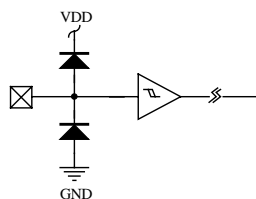
BLOCK DIAGRAM



INPUT/OUTPUT CONFIGURATIONS

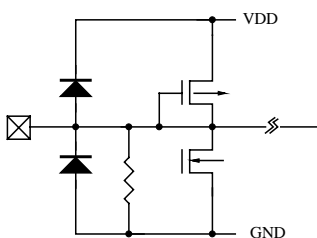
The schematic diagrams of the input and output circuits of the logic section are shown below.

Input Pins: CLK, STB & DIN

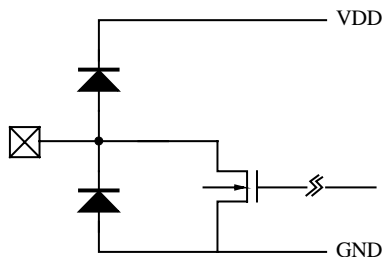


www.DataSheet4U.com

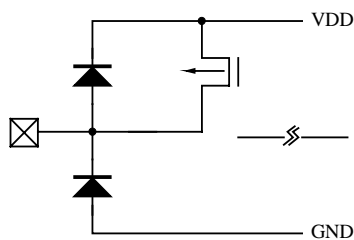
Input Pins: K1 to K2



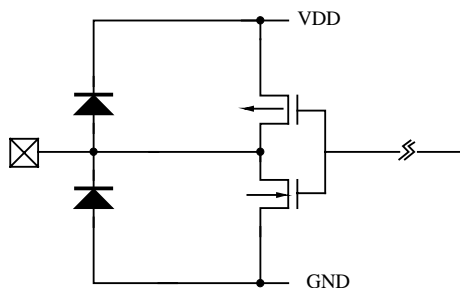
Output Pins: DOUT, GR1 to GR4



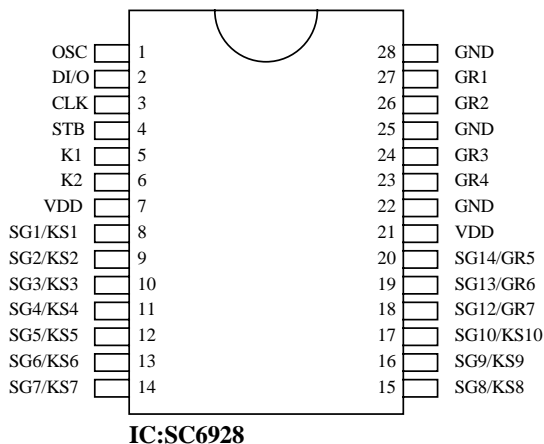
Output Pins: SG1 to SG10



Output Pins: GR5, GR6 and SG12/GR7



PIN CONFIGURATION



PIN DESCRIPTION

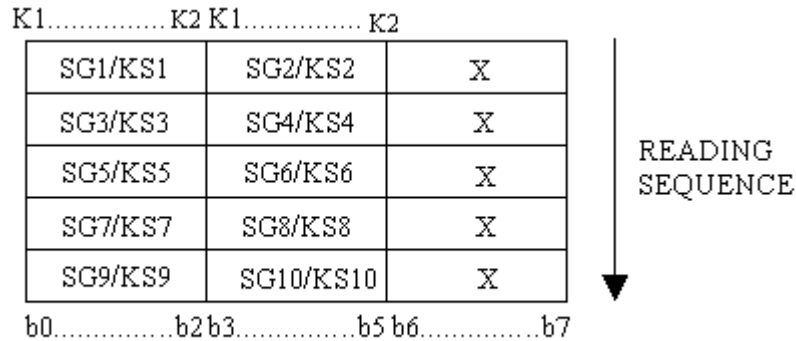
Pin Name	I/O	Description	Pin No.
OSC	I	Oscillator Input Pin A resistor is connected to this pin to determine the oscillation frequency	1
DI/O	I/O	Data Output Pin (N-Channel, Open-Drain) or Data Input pin This pin Outputs/Input serial data at the falling(rising) edge of the shift clock.	2
CLK	I	Clock Input Pin This pin reads serial data at the rising edge and outputs data at the falling edge.	3
STB	I	Serial Interface Strobe Pin The data input after the STB has fallen is processed as a command When this pin is "HIGH", CLK is ignored.	4
K1 to K2	I	Key Data Input Pins. The data sent to these pins are latched at the end of the display cycle. (Internal Pull-Low Resistor)	5,6
GND	-	Ground Pin	22,25,28
SG1/KS1 to SG10/KS10	O	Segment Output Pins (p-channel, open drain) Also acts as the Key Source	8~17
SG12/GR7 to SG14/GR5	O	Segment/Grid Output Pins	18~20
VDD	-	Power Supply	7,21
GR4 to GR1	O	Grid Output Pins	23,24,26,27

FUNCTIONAL DESCRIPTION

COMMANDS

A command is the first byte (b0 to b7) inputted to SC6928 via the DIN Pin after STB pin has changed from HIGH to LOW Stage. If for some reason the STB Pin is set to HIGH while data or commands are being transmitted, the serial communications is initialized, and the data/commands being transmitted are considered invalid.

When the most significant bit of the data (b0) has been read, the least significant bit of the next data (b7) is read.

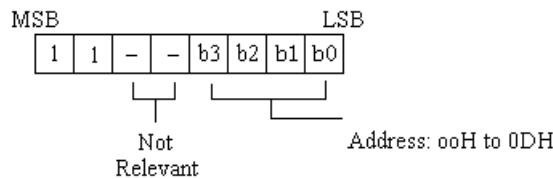


Note: b6 and b7 do not care

Command 3: Address Setting Commands

Address Setting Commands are used to set the address of the display memory. The address is considered valid if it has a value of 00H to 0DH. If the address is set to 0EH or higher, the data is ignored until a valid address is set. When power is turned ON, the address is set at 00H.

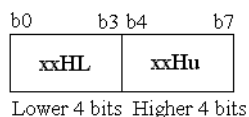
Please refer to the diagram below.



DISPALYMODE AND RAMADDRESS

Data transmitted from an external device to SC6928 via the serial interface are stored in the Display RAM and are assigned addresses. The RAM addresses of SC6928 are given below in 8 bits unit.

SG1	SG4 SG5	SG8 SG9	SG12	
00HL	00Hu	01HL		DIG1
02HL	02Hu	03HL		DIG2
04HL	04Hu	05HL		DIG3
06HL	06Hu	07HL		DIG4
08HL	08Hu	09HL		DIG5
0AHL	0AHu	0BHL		DIG6
0CHL	0CHu	0DHL		DIG7



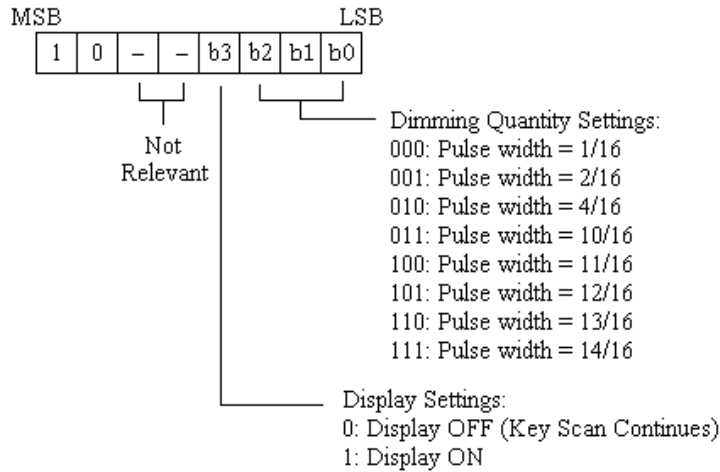
Command 4: Display Control Commands

The Display Control Commands are used to turn ON or OFF a display. It also used to set the pulse width. Please refer to

SC6928(文件编号: S&CIC0311)

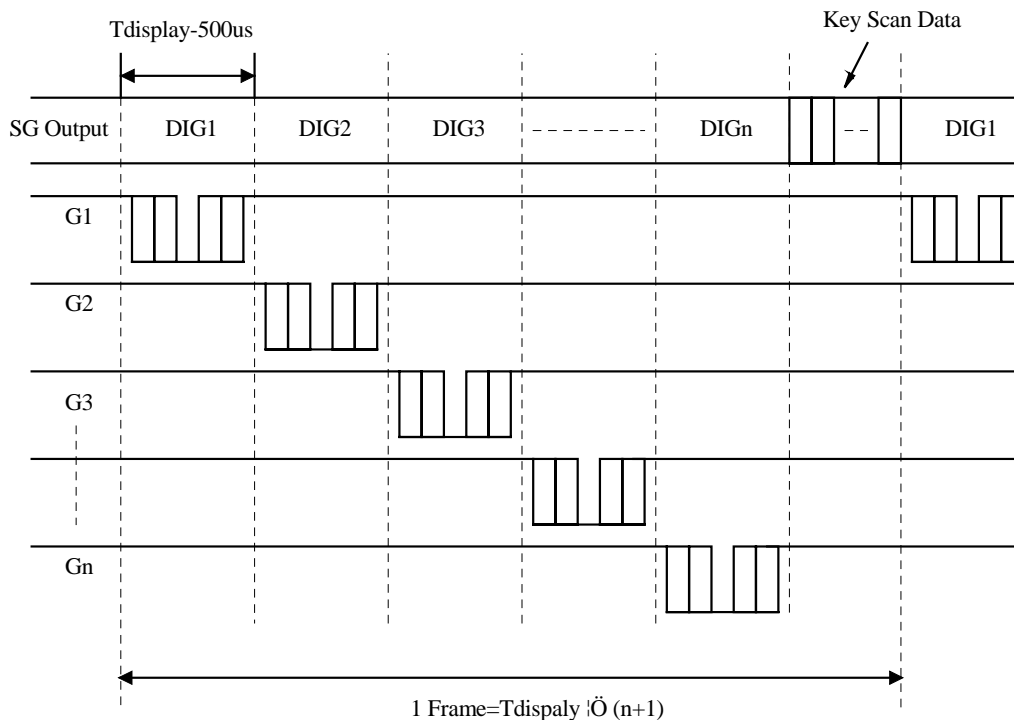
LED Driver IC

the diagram below. When the power is turned ON, a 1/16 Pulse width is selected and the displayed is turned OFF (the key scanning is started).



SCANNING AND DISPLAY TIMING

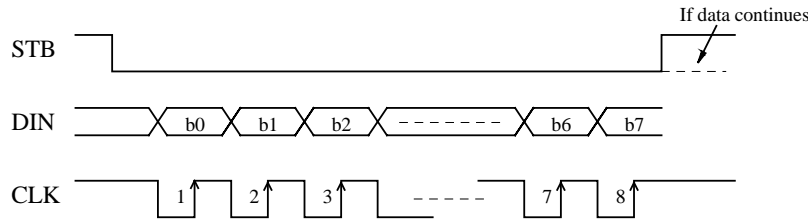
The key Scanning and Display Timing diagram is given below. One cycle of key scanning consists of 2 frames. The data of the are 10 x 3 matrix is stored in the RAM.



SERIAL COMMUNICATION FROMAT

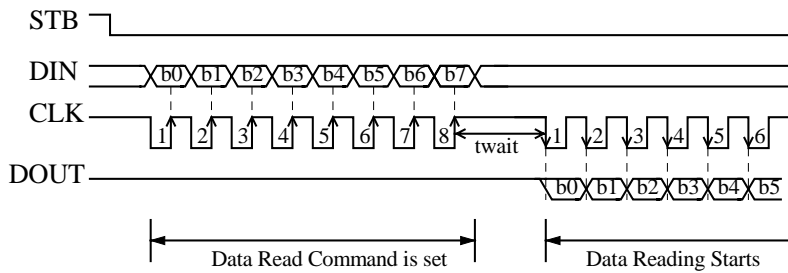
The following diagram shows the SC6928 serial communication format. The DOUT Pin is an N-channel, opendrain output pin, therefore, it is highly recommended that an external pull-up resistor (1 KOhms to 10 KOhms) must be connected to DOUT.

RECEPTION (Data/Command Write)



TRANSMISSION (Data Read)

www.DataSheet4U.com

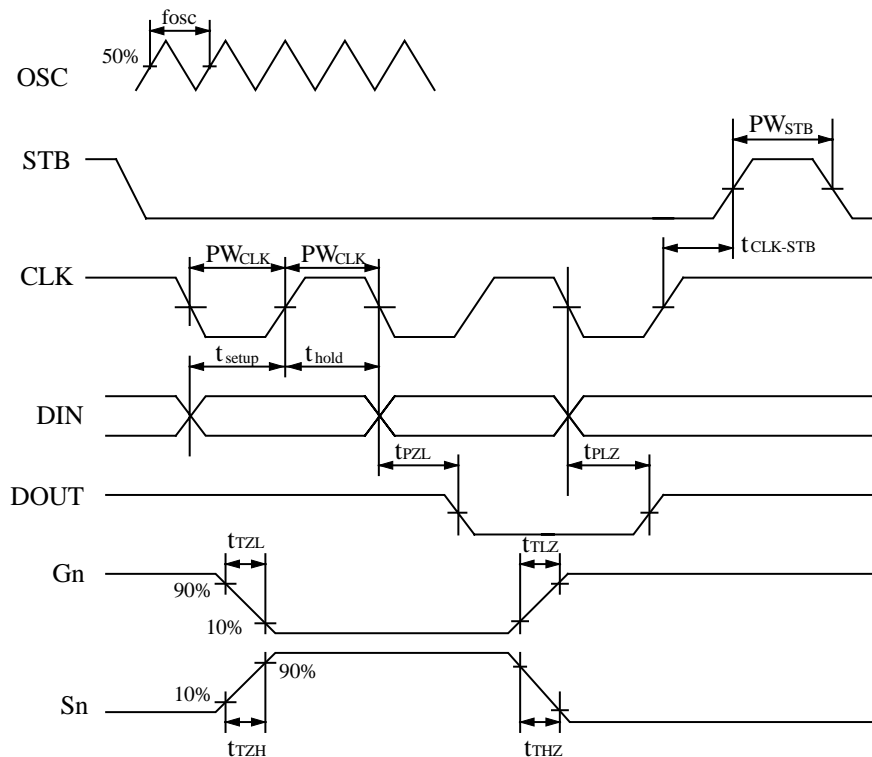


where: t_{wait} (waiting time) $\geq 1 \mu s$

It must be noted that when the data is read, the waiting time (t_{wait}) between the rising of the eighth clock that has set the command and the falling of the first clock that has read the data is greater or equal to $1 \mu s$.

SWITCHING CHARACTERISTIC WAVEFORM

SC6928 Switching Characteristics Waveform is given below.



where: PW_{CLK} (Clock Pulse Width) $\geq 400nS$
 t_{setup} (Data Setup Time) $\geq 100nS$
 $t_{CLK-STB}$ (Clock-Strobe Time) $\geq 1 \mu s$
 t_{TZH} (Rise Time) $\leq 1 \mu s$

PW_{STB} (Strobe Pulse Width) $\geq 1 \mu s$
 t_{hold} (Data Hold Time) $\geq 100nS$
 t_{THZ} (Fall Time) $\leq 10 \mu s$
 t_{PZL} (Propagation Delay Time) $\leq 100nS$

f_{osc} =Oscillation Frequency

t_{PLZ} (Propagation Delay Time) $\leq 300\mu s$

$t_{TZL} < 1\mu s$

$t_{TLZ} < 10\mu s$

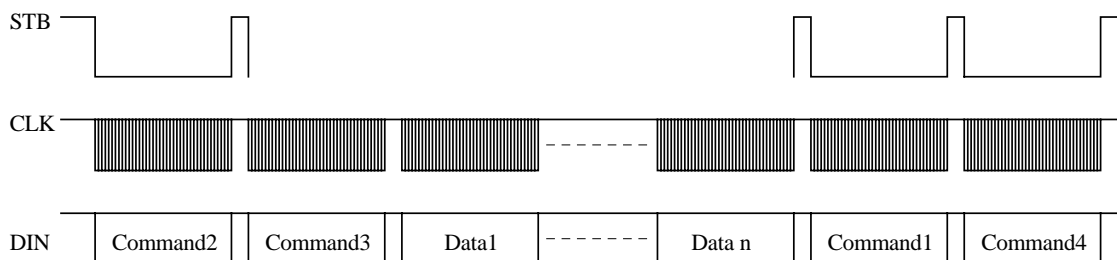
Note: Test condition under

t_{THZ} (Pull low resistor=100k ohms, Loading capacitor =300pf)

t_{TLZ} (Pull high resistor =100k ohms, Loading capacitor=300pf)

APPLICATIONS

Display memory is updated by incrementing addresses. Please refer to the following diagram.



where: Command 1: Display Mode Setting Command

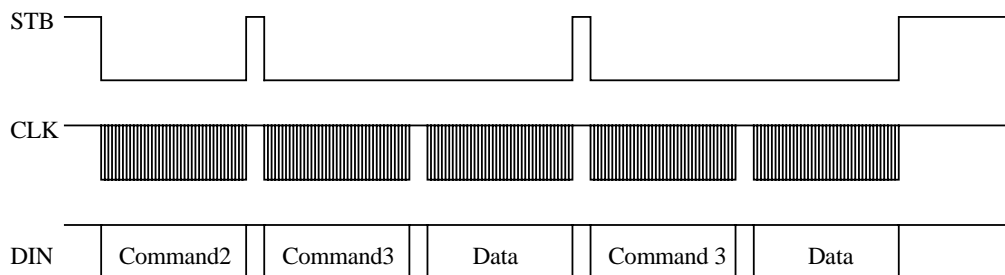
Command 2: Data Setting Command

Command 3: Address Setting Command

Data 1 to n : Transfer Display Data (14 Bytes max.)

Command 4: Display Control Command

The following diagram shows the waveforms when updating specific addresses.

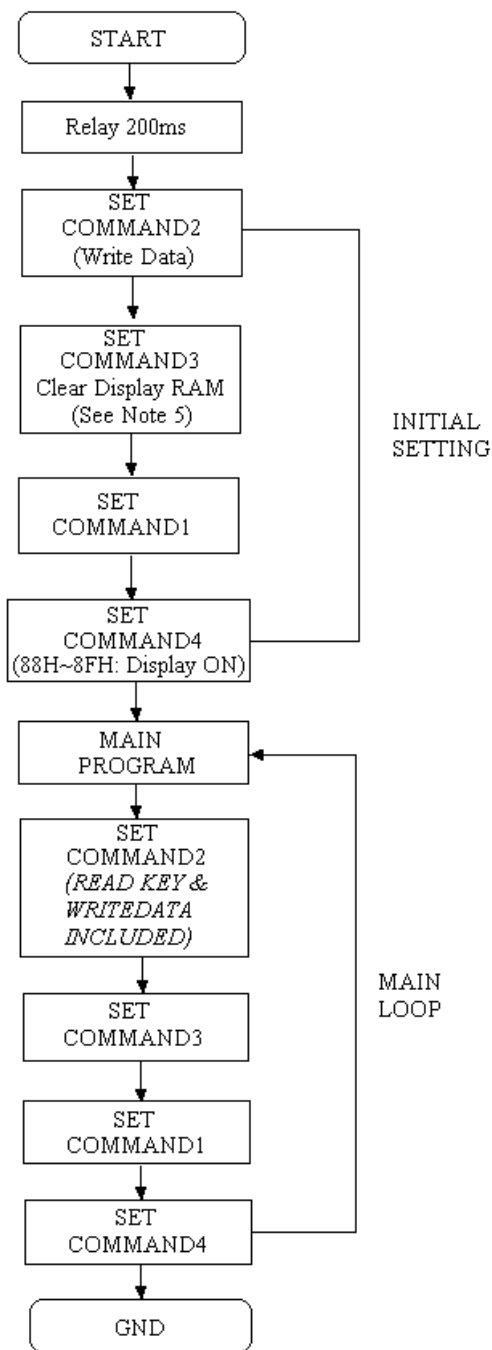


where: Command 2 — Data Setting Command

Command 3 — Address Setting Command

Data — Display Data

RECOMMENDED SOFTWARE PROGRAMMING FLOWCHART



Note: 1. Command 1: Display Mode Commands

2. Command 2: Data Setting Commands

3. Command 3: Address Setting Commands

4. Command 4: Display Control Commands

5. When IC power is applied for the first time, the contents of the Display RAM is not defined; thus, it is strongly suggested that the contents of the Display RAM must be cleared during the initial setting.

ABSOLUTE MAXIMUM RATINGS

(Unless otherwise stated, Ta=25°C, GND=0V)

Parameter	Symbol	Ratings	Unit
Supply Voltage	V _{DD}	-0.5 to +7	Volts
Logic Input Voltage	V _I	-0.5 to V _{DD} +0.5	Volts
Driver Output Current	I _{OLGR}	+250	mA
	I _{OHSG}	-50	mA
Maximum Driver Output Current/Total	I _{TOTAL}	400	mA

RECOMMENDED OPERATING RANGE

(Unless otherwise stated, Ta=-20 to +70°C, GND=0V)

Parameter	Symbol	Min.	Typ.	Max.	Unit
Logic Supply Voltage	V _{DD}	4.5	5	5.5	V
Dynamic Current (see Note)	I _{DDdyn}	-	-	10	mA
High-Level Input Voltage	V _{IH}	0.8V _{DD}	-	V _{DD}	V
Low-Level Input Voltage	V _{IL}	0	-	0.3V _{DD}	V

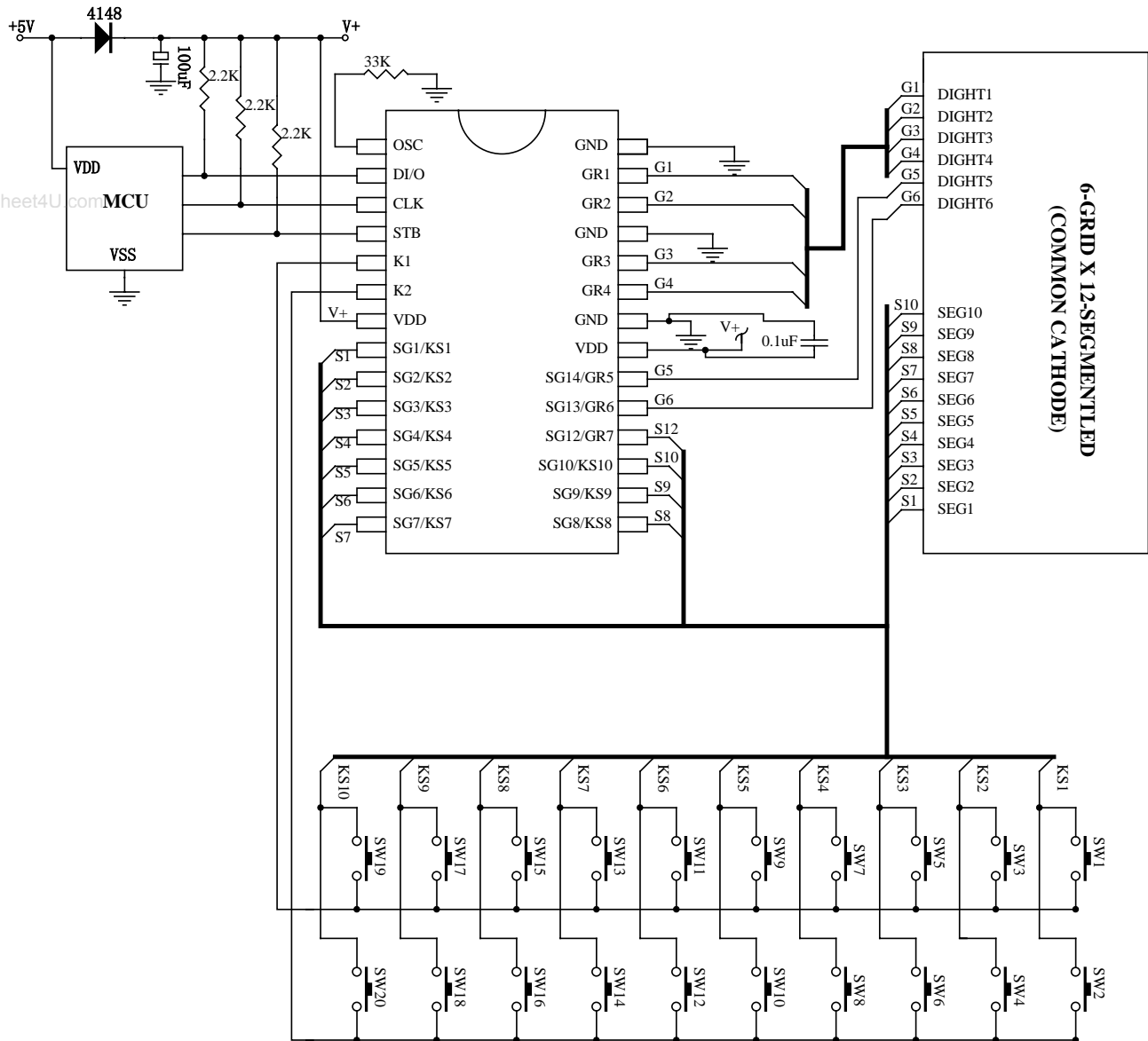
Note: Test Condition: Set Display Control Commands = 80H (Display Turn OFF State & under no load)

ELECTRICAL CHARACTERISTICS

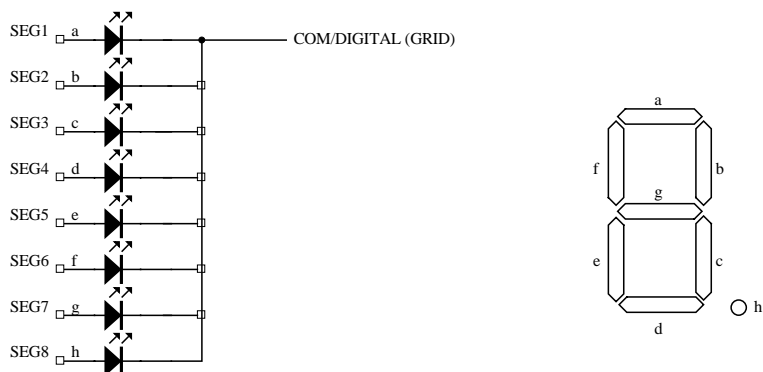
 (Unless otherwise stated, V_{DD}=5V, GND=0V, Ta=25°C)

Parameter	Symbol	Test Condition	Min.	Typ.	Max.	Unit
High-Level Output Current	IOHSG1	V _o =V _{DD} -2V SG1 to SG10, SG12/GR7	-20	-25	-40	mA
	IOHSG2	V _o =V _{DD} -3V SG1 to SG12, SG12/GR7	-25	-30	-50	mA
Low-Level Output Current	IOLGR	V _o =0.3V GR1 to GR6, SG12/GR7	100	140	-	mA
Low-Level Output Current	IOLDOUT	V _o =0.4V	4	-	-	mA
Segment High-Level Output Current Tolerance	ITOLSG	V _o =V _{DD} -3V SG1 to SG10, SG12/GR7	-	-	±5	mA
High-Level Input Voltage	VIH	-	0.8 V _{DD}	-	5	V
Low-Level Input Voltage	VIL	-	0	-	0.3V _{DD}	V
Oscillation Frequency	fosc	R=33 KOhms	350	500	650	KHz
K1 to K2 Pull Down Resistor	RKN	K1 to K2 V _{DD} =5V	40	-	100	KOhms

APPLICATION CIRCUIT



- Note: 1、推荐使用时, I_C 总线端口外置上接电阻在 2.2K 为宜;
 2、为降低系统信号的串扰, 建议产品之 MCU 与 SC6928 供电之正极串接 4148 二极管隔离。



- Note: 1、 The capacitor (0.1uF) connected between the GND and the VDD pins must be located as close as possible to the SC6928 chip.
 2、 The SC6928 power supply is separate from the application system power supply.

Pad Assignment (Chip size:1380um x 1390um)

