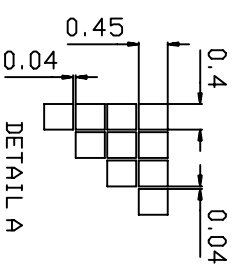
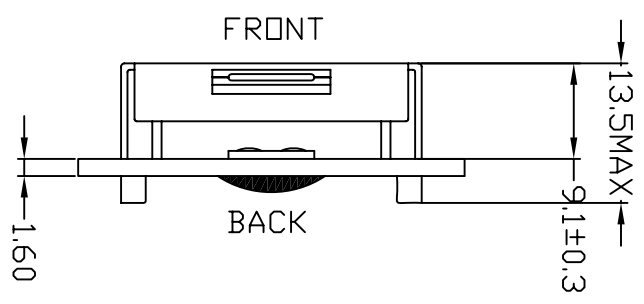
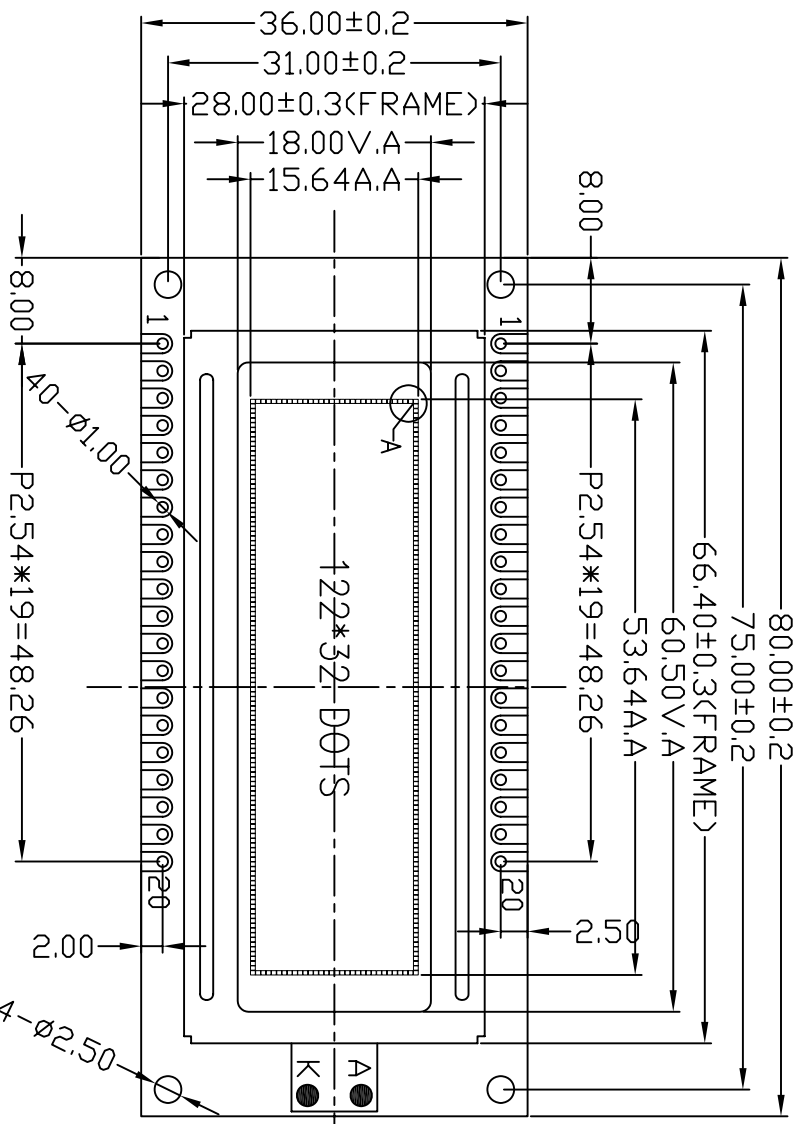


REV.	CHANGE CONTENT	BY	DATE



PIN No	1	2	3	4	5	6
Symbol	VSS	VDD	V0	A0	E1	E2

PIN No	7	8	9	10-17	18	19	20
Symbol	LED-C	NC	R/W	DB0-DB7	RES	LEDA	LEDK

- Note:
1. Display Mode:STN, Y/G, POSITIVE, Transflective
 2. View Direction:6 0°Clock
 3. Driver Method: 1/32 Duty, 1/6Bias
 4. Logic Voltage Input: 5. 0V
 5. Operating Temperature: -20° C- 70° C
 6. Storage Temperature: -30° C- 80° C
 7. Controller: PT6520 COB
 8. LED: COLOR:YELLOW-GREEN 底光5. 0V, 90mA

TOLERANCE	HTSDISPLAY CO., LTD.		DRAWING No. :HGT223219C-YF62L-VA
>0~6 ±0.10	DESIGN	ZOUYS	06.12.01
>6~80 ±0.20	CHECKED	TECHNOLOGY	Q. A
>80~240 ±0.30	APPROVED		
>240~400 ±0.50			
// 1.0 ±0.10			

HTSDISPLAY CO., LTD.

FILE NO. : 8
 REV. : A
 SCALE : -
 PROJECT :
 UNIT : MM
 SHEET : 1/1