

## PCM Codec-Filter Mono-Circuit

The MC145500, MC145501, MC145502, MC145503, and MC145505 are all per channel PCM Codec-Filter mono-circuits. These devices perform the voice digitization and reconstruction as well as the band limiting and smoothing required for PCM systems. The MC145500 and MC145503 are general purpose devices that are offered in a 16-pin package. They are designed to operate in both synchronous and asynchronous applications and contain an on-chip precision reference voltage. The MC145501 is offered in an 18-pin package and adds the capability of selecting from three peak overload voltages (2.5, 3.15, and 3.78 V). The MC145505 is a synchronous device offered in a 16-pin DIP and wide body SOIC package intended for instrument use. The MC145502 is the full-featured device which presents all of the options of the chip. This device is packaged in a 22-pin DIP and a 28-pin chip carrier package and contains all the features of the MC145500 and MC145501 plus several more. Most of these features can be made available in a lower pin count package tailored to a specific user's application. Contact the factory for further details.

These devices are pin-for-pin replacements for Motorola's first generation of MC14400/01/02/03/05 PCM mono-circuits and are upwardly compatible with the MC14404/06/07 codecs and other industry standard codecs. They also maintain compatibility with Motorola's family of MC33120 and MC3419 SLIC products.

The MC145500 family of PCM Codec-Filter mono-circuits utilizes CMOS due to its reliable low-power performance and proven capability for complex analog/digital VLSI functions.

### MC145500 (This Device is Not Recommended for New Designs)

- 16-Pin Package
- Transmit Bandpass and Receive Low-Pass Filter On-Chip
- Pin Selectable Mu-Law/A-Law Companding with Corresponding Data Format
- On-Chip Precision Reference Voltage (3.15 V)
- Power Dissipation of 50 mW, Power-Down of 0.1 mW at  $\pm 5$  V
- Automatic Prescaler Accepts 128 kHz, 1.536, 1.544, 2.048, and 2.56 MHz for Internal Sequencing

### MC145501 — All of the Above Plus:

(This Device is Not Recommended for New Designs)

- 18-Pin Package
- Selectable Peak Overload Voltages (2.5, 3.15, 3.78 V)
- Access to the Inverting Input of the TxI Input Operational Amplifier

### MC145502 — All of the Above Plus:

- 22-Pin and 28-Pin Packages
- Variable Data Clock Rates (64 kHz to 4.1 MHz)
- Complete Access to the Three Terminal Transmit Input Operational Amplifiers
- An External Precision Reference May Be Used

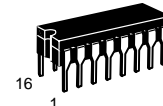
### MC145503 — All of the Above Features of the MC145500 Plus:

- 16-Pin Package
- Complete Access to the Three Terminal Transmit Input Operational Amplifiers

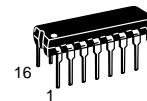
### MC145505 — Same as MC145503 Except:

- 16-Pin Package
- Common 64 kHz to 4.1 MHz Transmit/Receive Data Clock

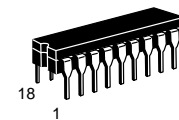
**MC145500**  
**MC145501**  
**MC145502**  
**MC145503**  
**MC145505**



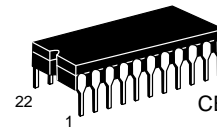
**L SUFFIX**  
CERAMIC PACKAGE  
CASE 620  
MC145500/03/05



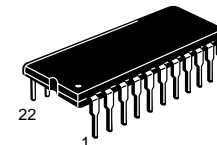
**P SUFFIX**  
PLASTIC DIP  
CASE 648  
MC145503/05



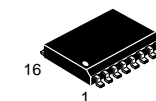
**L SUFFIX**  
CERAMIC PACKAGE  
CASE 726  
MC145501



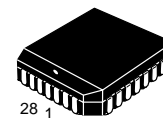
**L SUFFIX**  
CERAMIC PACKAGE  
CASE 736  
MC145502



**P SUFFIX**  
PLASTIC DIP  
CASE 708  
MC145502

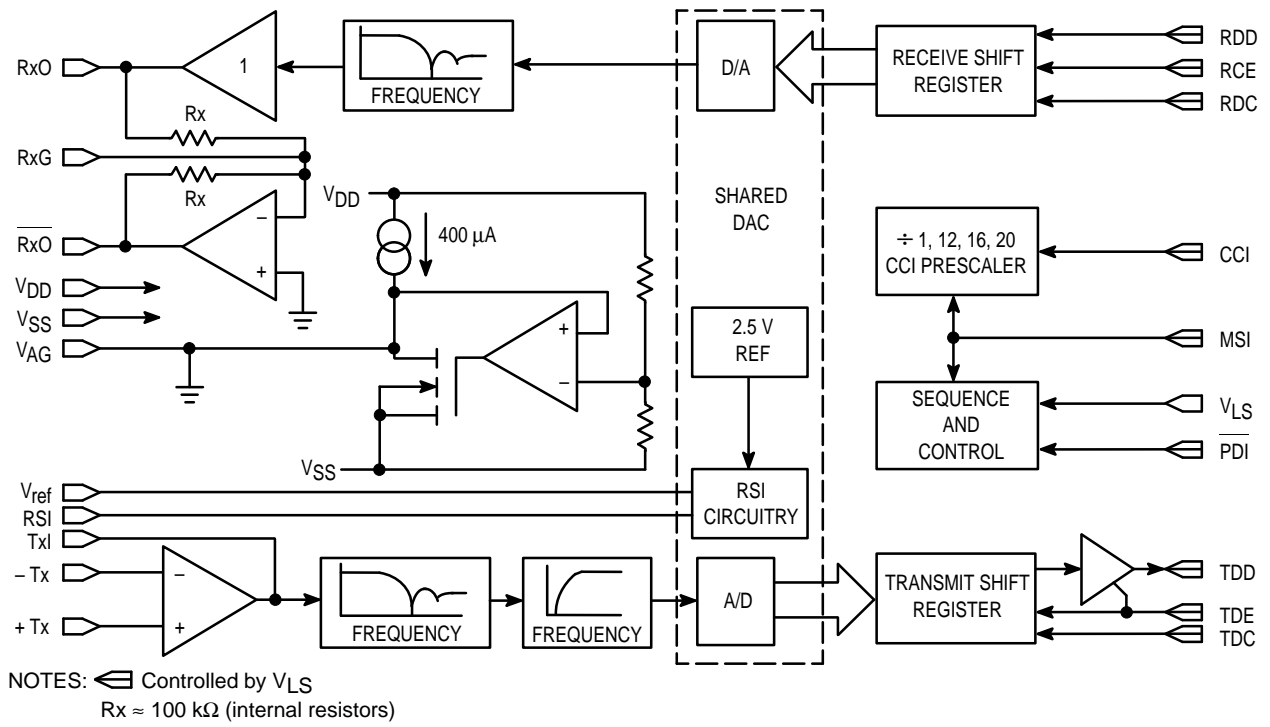


**DW SUFFIX**  
SOG PACKAGE  
CASE 751G  
MC145503/05

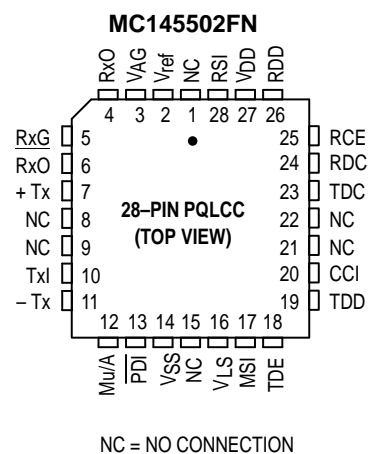
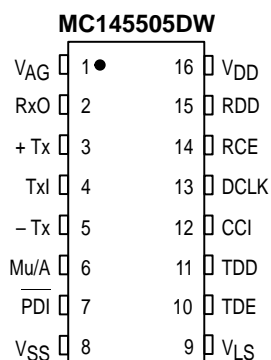
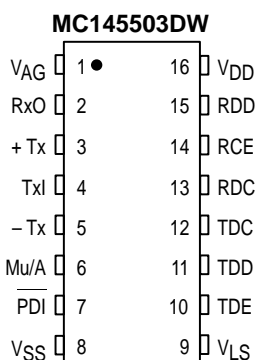
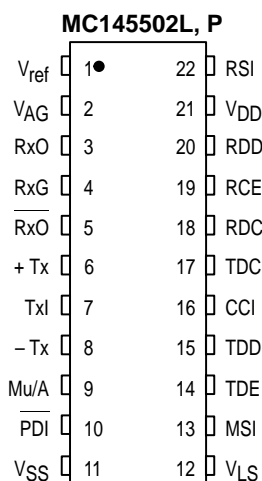
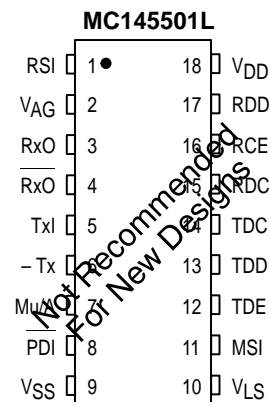
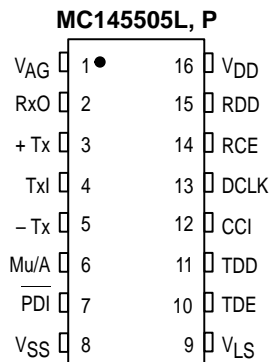
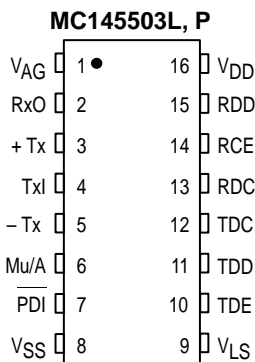
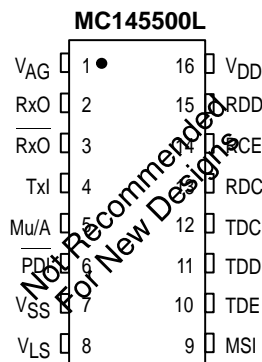


**FN SUFFIX**  
PLCC PACKAGE  
CASE 776  
MC145502

MC145500/01/02/03/05 PCM CODEC-FILTER MONO-CIRCUIT BLOCK DIAGRAM



**PIN ASSIGNMENTS**  
(DRAWINGS DO NOT REFLECT RELATIVE SIZE)



**ABSOLUTE MAXIMUM RATINGS** (Voltage Referenced to V<sub>SS</sub>)

Rating	Symbol	Value	Unit
DC Supply Voltage	V <sub>DD</sub> , V <sub>SS</sub>	- 0.5 to 13	V
Voltage, Any Pin to V <sub>SS</sub>	V	- 0.5 to V <sub>DD</sub> + 0.5	V
DC Drain Per Pin (Excluding V <sub>DD</sub> , V <sub>SS</sub> )	I	10	mA
Operating Temperature Range	T <sub>A</sub>	- 40 to + 85	°C
Storage Temperature Range	T <sub>stg</sub>	- 85 to + 150	°C

This device contains circuitry to protect against damage due to high static voltages or electric fields; however, it is advised that normal precautions be taken to avoid application of any voltage higher than maximum rated voltages to this high impedance circuit. For proper operation it is recommended that V<sub>in</sub> and V<sub>out</sub> be constrained to the range V<sub>SS</sub> ≤ (V<sub>in</sub> or V<sub>out</sub>) ≤ V<sub>DD</sub>.

Unused inputs must always be tied to an appropriate logic voltage level (e.g., V<sub>SS</sub>, V<sub>DD</sub>, V<sub>LS</sub>, or V<sub>AG</sub>).

**RECOMMENDED OPERATING CONDITIONS** (T<sub>A</sub> = - 40 to + 85°C)

Characteristic	Min	Typ	Max	Unit
DC Supply Voltage Dual Supplies: V <sub>DD</sub> = - V <sub>SS</sub> , (V <sub>AG</sub> = V <sub>LS</sub> = 0 V) Single Supply: V <sub>DD</sub> to V <sub>SS</sub> (V <sub>AG</sub> is an Output, V <sub>LS</sub> = V <sub>DD</sub> or V <sub>SS</sub> ) MC145500, MC145501, MC145502, MC145503, MC145505 (Using Internal 3.15 V Reference) MC145501, MC145502 Using Internal 2.5 V Reference MC145501, MC145502 Using Internal 3.78 V Reference MC145502 Using External 1.5 V Reference, Referenced to V <sub>AG</sub>	4.75 8.5 7.0 9.5 4.75	5.0 — — — —	6.3 12.6 12.6 12.6 12.6	V
Power Dissipation CMOS Logic Mode (V <sub>DD</sub> to V <sub>SS</sub> = 10 V, V <sub>LS</sub> = V <sub>DD</sub> ) TTL Logic Mode (V <sub>DD</sub> = + 5 V, V <sub>SS</sub> = - 5 V, V <sub>LS</sub> = V <sub>AG</sub> = 0 V)	— —	40 50	70 90	mW
Power Down Dissipation	—	0.1	1.0	mW
Frame Rate Transmit and Receive	7.5	8.0	8.5	kHz
Data Rate MC145500, MC145501, MC145503 Must Use One of These Frequencies, Relative to MSI Frequency of 8 kHz	— — — —	128 1536 1544 2048 2560	— — — — —	kHz
Data Rate for MC145502, MC145505	64	—	4096	kHz
Full Scale Analog Input and Output Level MC145500, MC145503, MC145505 MC145501, MC145502 (V <sub>ref</sub> = V <sub>SS</sub> ) MC145502 Using an External Reference Voltage Applied at V <sub>ref</sub> Pin	— — — — — — —	3.15 3.78 3.15 2.5 1.51 x V <sub>ref</sub> 1.26 x V <sub>ref</sub> V <sub>ref</sub>	— — — — — — —	V <sub>p</sub>

**DIGITAL LEVELS** (V<sub>SS</sub> to V<sub>DD</sub> = 4.75 V to 12.6 V, T<sub>A</sub> = - 40 to + 85°C)

Characteristic	Symbol	Min	Max	Unit
Input Voltage Levels (TDE, TDC, RCE, RDC, RDD, DC, MSI, CCI, PDI) CMOS Mode (V <sub>LS</sub> = V <sub>DD</sub> , V <sub>SS</sub> is Digital Ground) TTL Mode (V <sub>LS</sub> ≤ V <sub>DD</sub> - 4.0 V, V <sub>LS</sub> is Digital Ground)	"0" V <sub>IL</sub> "1" V <sub>IH</sub> "0" V <sub>IL</sub> "1" V <sub>IH</sub>	— — 0.7 x V <sub>DD</sub> — — V <sub>LS</sub> + 2.0 V —	0.3 x V <sub>DD</sub> — — V <sub>LS</sub> + 0.8 V —	V
Output Current for TDD (Transmit Digital Data) CMOS Mode (V <sub>LS</sub> = V <sub>DD</sub> , V <sub>SS</sub> = 0 V and is Digital Ground) (V <sub>DD</sub> = 5 V, V <sub>out</sub> = 0.4 V) (V <sub>DD</sub> = 10 V, V <sub>out</sub> = 0.5 V) (V <sub>DD</sub> = 5 V, V <sub>out</sub> = 4.5 V) (V <sub>DD</sub> = 10 V, V <sub>out</sub> = 9.5 V) TTL Mode (V <sub>LS</sub> ≤ V <sub>DD</sub> - 4.75 V, V <sub>LS</sub> = 0 V and is Digital Ground) (V <sub>OL</sub> = 0.4 V) (V <sub>OH</sub> = 2.4 V)	I <sub>OL</sub> I <sub>OH</sub> I <sub>OL</sub> I <sub>OH</sub>	1.0 3.0 - 1.0 - 3.0 1.6 - 0.2	— — — — — —	mA

## ANALOG TRANSMISSION PERFORMANCE

( $V_{DD} = +5\text{ V} \pm 5\%$ ,  $V_{SS} = -5\text{ V} \pm 5\%$ ,  $V_{LS} = V_{AG} = 0\text{ V}$ ,  $V_{ref} = RSI = V_{SS}$  (Internal 3.15 V Reference),  $0\text{ dBm}_0 = 1.546\text{ Vrms} = +6\text{ dBm}$  @  $600\ \Omega$ ,  $T_A = -40\text{ to }+85^\circ\text{C}$ ,  $TDC = RDC = CC = 2.048\text{ MHz}$ ,  $TDE = RCE = MSI = 8\text{ kHz}$ , Unless Otherwise Noted)

Characteristic	End-to-End		A/D		D/A		Unit	
	Min	Max	Min	Max	Min	Max		
Absolute Gain (0 dBm <sub>0</sub> @ 1.02 kHz, $T_A = 25^\circ\text{C}$ , $V_{DD} = 5\text{ V}$ , $V_{SS} = -5\text{ V}$ )	—	—	-0.30	+0.30	-0.30	+0.30	dB	
Absolute Gain Variation with Temperature 0 to +70°C	—	—	—	±0.03	—	±0.03	dB	
Absolute Gain Variation with Temperature -40 to +85°C	—	—	—	±0.1	—	±0.1	dB	
Absolute Gain Variation with Power Supply ( $V_{DD} = 5\text{ V}$ , $V_{SS} = -5\text{ V}$ , 5%)	—	—	—	±0.02	—	±0.02	dB	
Gain vs Level Tone (Relative to -10 dBm <sub>0</sub> , 1.02 kHz)	+3 to -40 dBm <sub>0</sub>	-0.4	+0.4	-0.2	+0.2	-0.2	+0.2	dB
	-40 to -50 dBm <sub>0</sub>	-0.8	+0.8	-0.4	+0.4	-0.4	+0.4	
	-50 to -55 dBm <sub>0</sub>	-1.6	+1.6	-0.8	+0.8	-0.8	+0.8	
Gain vs Level Pseudo Noise (A-Law Relative to -10 dBm <sub>0</sub> ) CCITT G.714	-10 to -40 dBm <sub>0</sub>	—	—	-0.25	+0.25	-0.25	+0.25	dB
	-40 to -50 dBm <sub>0</sub>	—	—	-0.30	+0.30	-0.30	+0.30	
	-50 to -55 dBm <sub>0</sub>	—	—	-0.45	+0.45	-0.45	+0.45	
Total Distortion - 1.02 kHz Tone (C-Message)	0 to -30 dBm <sub>0</sub>	35	—	36	—	36	—	dBC
	-40 dBm <sub>0</sub>	29	—	29	—	30	—	
	-45 dBm <sub>0</sub>	24	—	24	—	25	—	
Total Distortion With Pseudo Noise (A-Law) CCITT G.714	-3 dBm <sub>0</sub>	27.5	—	28	—	28.5	—	dB
	-6 to -27 dBm <sub>0</sub>	35	—	35.5	—	36	—	
	-34 dBm <sub>0</sub>	33.1	—	33.5	—	34.2	—	
	-40 dBm <sub>0</sub>	28.2	—	28.5	—	30.0	—	
Idle Channel Noise (For End-End and A/D, See Note 1)	Mu-Law, C-Message Weighted	—	15	—	15	—	9	dBrnC0 dBm <sub>0p</sub>
	A-Law, Psophometric Weighted	—	-69	—	-69	—	-78	
Frequency Response (Relative to 1.02 kHz @ 0 dBm <sub>0</sub> )	15 to 60 Hz	—	-23	—	-23	—	0.15	dB
	300 to 3000 Hz	-0.3	+0.3	-0.15	+0.15	-0.15	+0.15	
	3400 Hz	-1.6	0	-0.8	0	-0.8	0	
	4000 Hz	—	-28	—	-14	—	-14	
	≥ 4600 Hz	—	-60	—	-32	—	-30	
Inband Spurious (1.02 kHz @ 0 dBm <sub>0</sub> , Transmit and RxO)	300 to 3000 Hz	—	—	—	-43	—	-43	dBm <sub>0</sub>
Out-of-Band Spurious at RxO (300 - 3400 Hz @ 0 dBm <sub>0</sub> In)	4600 to 7600 Hz	—	-30	—	—	—	-30	dB
	7600 to 8400 Hz	—	-40	—	—	—	-40	
	8400 to 100,000 Hz	—	-30	—	—	—	-30	
Idle Channel Noise Selective @ 8 kHz, Input = $V_{AG}$ , 30 Hz Bandwidth	—	-70	—	—	—	—	-70	dBm <sub>0</sub>
Absolute Delay @ 1600 Hz (TDC = 2.048 MHz, TDE = 8 kHz)	—	—	—	310	—	180	μs	
Group Delay Referenced to 1600 Hz (TDC = 2048 kHz, TDE = 8 kHz)	500 to 600 Hz	—	—	—	200	-40	—	μs
	600 to 800 Hz	—	—	—	140	-40	—	
	800 to 1000 Hz	—	—	—	70	-30	—	
	1000 to 1600 Hz	—	—	—	40	-20	—	
	1600 to 2600 Hz	—	—	—	75	—	90	
	2600 to 2800 Hz	—	—	—	110	—	120	
	2800 to 3000 Hz	—	—	—	170	—	160	
Crosstalk of 1020 Hz @ 0 dBm <sub>0</sub> From A/D or D/A (Note 2)	—	—	—	-75	—	-80	dB	
Intermodulation Distortion of Two Frequencies of Amplitudes -4 to -21 dBm <sub>0</sub> from the Range 300 to 3400 Hz	—	—	—	-41	—	-41	dB	

### NOTES:

1. Extrapolated from a 1020 Hz @ -50 dBm<sub>0</sub> distortion measurement to correct for encoder enhancement.
2. Selectively measured while the A/D is stimulated with 2667 Hz @ -50 dBm<sub>0</sub>.

**ANALOG ELECTRICAL CHARACTERISTICS** ( $V_{DD} = -V_{SS} = 5\text{ V to }6\text{ V} \pm 5\%$ ,  $T_A = -40\text{ to }+85^\circ\text{C}$ )

Characteristic	Symbol	Min	Typ	Max	Unit
Input Current +Tx, -Tx (TxI for MC145500)	$I_{in}$	—	$\pm 0.01$	$\pm 0.2$	$\mu\text{A}$
AC Input Impedance to $V_{AG}$ (1 kHz) +Tx, -Tx TxI for MC145500	$Z_{in}$	5 0.1	10 0.2	— —	$\text{M}\Omega$
Input Capacitance +Tx, -Tx		—	—	10	$\text{pF}$
Input Offset Voltage of TxI Op Amp		—	$< \pm 30$	—	$\text{mV}$
Input Common Mode Voltage Range +Tx, -Tx	$V_{ICR}$	$V_{SS} + 1.0$	—	$V_{DD} - 2.0$	$\text{V}$
Input Common Mode Rejection Ratio +Tx, -Tx	CMRR	—	70	—	$\text{dB}$
TxI Unity Gain Bandwidth $R_L \geq 10\text{ k}\Omega$	$\text{BW}_p$	—	1000	—	$\text{kHz}$
TxI Open Loop Gain $R_L \geq 10\text{ k}\Omega$	$A_{VOL}$	—	75	—	$\text{dB}$
Equivalent Input Noise (C-Message) Between +Tx and -Tx, at TxI		—	-20	—	$\text{dBnCO}$
Output Load Capacitance for TxI Op Amp		0	—	100	$\text{pF}$
Output Voltage Range TxI Op Amp, RxO or RxO $R_L = 10\text{ k}\Omega$ to $V_{AG}$ $R_L = 600\ \Omega$ to $V_{AG}$	$V_{out}$	$V_{SS} + 0.8$ $V_{SS} + 1.5$	— —	$V_{DD} - 1.0$ $V_{DD} - 1.5$	$\text{V}$
Output Current TxI, RxO, RxO $V_{SS} + 1.5\text{ V} \leq V_{out} \leq V_{DD} - 1.5\text{ V}$		$\pm 5.5$	—	—	$\text{mA}$
Output Impedance RxO, RxO* 0 to 3.4 kHz	$Z_{out}$	—	3	—	$\Omega$
Output Load Capacitance for RxO and RxO*		0	—	200	$\text{pF}$
Output dc Offset Voltage Referenced to $V_{AG}$ Pin $\frac{RxO}{RxO^*}$		— —	— —	$\pm 100$ $\pm 150$	$\text{mV}$
Internal Gainsetting Resistors for RxG to RxO and RxO		62	100	225	$\text{k}\Omega$
External Reference Voltage Applied to $V_{ref}$ (Referenced to $V_{AG}$ )		0.5	—	$V_{DD} - 1.0$	$\text{V}$
$V_{ref}$ Input Current		—	—	20	$\mu\text{A}$
$V_{AG}$ Output Bias Voltage		—	$0.53 V_{DD} + 0.47 V_{SS}$	—	$\text{V}$
$V_{AG}$ Output Current Source Sink	$I_{VAG}$	0.4 10.0	— —	0.8 —	$\text{mA}$
Output Leakage Current During Power Down for the TxI Op Amp, $V_{AG}$ , RxO, and RxO		—	—	$\pm 30$	$\mu\text{A}$
Positive Power Supply Rejection Ratio, 0 – 100 kHz @ 250 mV, C-Message Weighting Transmit Receive		45 55	50 65	— —	$\text{dBC}$
Negative Power Supply Rejection Ratio, 0 – 100 kHz @ 250 mV, C-Message Weighting Transmit Receive		50 50	55 60	— —	$\text{dBC}$

\* Assumes that RxG is not connected for gain modifications to RxO.

**MODE CONTROL LOGIC** ( $V_{SS}$  to  $V_{DD} = 4.75\text{ V}$  to  $12.6\text{ V}$ ,  $T_A = -40$  to  $+85^\circ\text{C}$ )

Characteristic	Min	Typ	Max	Unit
$V_{LS}$ Voltage for TTL Mode (TTL Logic Levels Referenced to $V_{LS}$ )	$V_{SS}$	—	$V_{DD} - 4.0$	V
$V_{LS}$ Voltage for CMOS Mode (CMOS Logic Levels of $V_{SS}$ to $V_{DD}$ )	$V_{DD} - 0.5$	—	$V_{DD}$	V
Mu/A Select Voltage Mu-Law Mode Sign Magnitude Mode A-Law Mode	$V_{DD} - 0.5$ $V_{AG} - 0.5$ $V_{SS}$	— — —	$V_{DD}$ $V_{AG} + 0.5$ $V_{SS} + 0.5$	V
RSI Voltage for Reference Select Input (MC145501 and MC145502) 3.78 V Mode 2.5 V Mode 3.15 V Mode	$V_{DD} - 0.5$ $V_{AG} - 0.5$ $V_{SS}$	— — —	$V_{DD}$ $V_{AG} + 0.5$ $V_{SS} + 0.5$	V
$V_{ref}$ Voltage for Internal or External Reference (MC145502 Only) Internal Reference Mode External Reference Mode	$V_{SS}$ $V_{AG} + 0.5$	— —	$V_{SS} + 0.5$ $V_{DD} - 1.0$	V
Analog Test Mode Frequency, MS = CCI (MC145500, MC145501, MC145502 Only) See Pin Description; Test Modes	—	128	—	kHz

**SWITCHING CHARACTERISTICS** ( $V_{SS}$  to  $V_{DD} = 9.5\text{ V}$  to  $12.6\text{ V}$ ,  $T_A = -40$  to  $+85^\circ\text{C}$ ,  $C_L = 150\text{ pF}$ , CMOS or TTL Mode)

Characteristic	Symbol	Min	Typ	Max	Unit
Output Rise Time Output Fall Time	TDD $t_{TLH}$ $t_{THL}$	— —	30 30	80 80	ns
Input Rise Time Input Fall Time	TDE, TDC, RCE, RDC, DC, MSI, CCI $t_{TLH}$ $t_{THL}$	— —	— —	4 4	$\mu\text{s}$
Pulse Width	TDE Low, TDC, RCE, RDC, DC, MSI, CCI $t_w$	100	—	—	ns
DCLK Pulse Frequency (MC145502/05 Only)	TDC, RDC, DC $f_{CL}$	64	—	4096	kHz
CCI Clock Pulse Frequency (MSI = 8 kHz) CCI is internally tied to TDC on the MC145500/01/03, therefore, the transmit data clock must be one of these frequencies. This pin will accept one of these discrete clock frequencies and will compensate to produce internal sequencing.	$f_{CL1}$ $f_{CL2}$ $f_{CL3}$ $f_{CL4}$ $f_{CL5}$	— — — — —	128 1536 1544 2048 2560	— — — — —	kHz
Propagation Delay Time TDE Rising to TDD Low Impedance TDE Falling to TDD High Impedance TDC Rising Edge to TDD Data, During TDE High TDE Rising Edge to TDD Data, During TDC High	TTL CMOS TTL CMOS TTL CMOS TTL CMOS $t_{p1}$ $t_{p2}$ $t_{p3}$ $t_{p4}$	— — — — — — — —	90 90 — 90 90 90 90 90	180 150 55 40 180 150 180 150	ns
TDC Falling Edge to TDE Rising Edge Setup Time	$t_{su1}$	20	—	—	ns
TDE Rising Edge to TDC Falling Edge Setup Time	$t_{su2}$	100	—	—	ns
TDE Falling Edge to TDC Rising Edge to Preserve the Next TDD Data	$t_{su8}$	20	—	—	ns
RDC Falling Edge to RCE Rising Edge Setup Time	$t_{su3}$	20	—	—	ns
RCE Rising Edge to RDC Falling Edge Setup Time	$t_{su4}$	100	—	—	ns
RDD Valid to RDC Falling Edge Setup Time	$t_{su5}$	60	—	—	ns
CCI Falling Edge to MSI Rising Edge Setup Time	$t_{su6}$	20	—	—	ns
MSI Rising Edge to CCI Falling Edge Setup Time	$t_{su7}$	100	—	—	ns
RDD Hold Time from RDC Falling Edge	$t_h$	100	—	—	ns
TDE, TDC, RCE, RDC, RDD, DC, MSI, CCI Input Capacitance		—	—	10	pF
TDE, TDC, RCE, RDC, RDD, DC, MSI, CCI Input Current		—	$\pm 0.01$	$\pm 10$	$\mu\text{A}$
TDD Capacitance During High Impedance (TDE Low)		—	12	15	pF
TDD Input Current During High Impedance (TDE Low)		—	$\pm 0.1$	$\pm 10.0$	$\mu\text{A}$

## DEVICE DESCRIPTIONS

A codec-filter is a device which is used for digitizing and reconstructing the human voice. These devices were developed primarily for the telephone network to facilitate voice switching and transmission. Once the voice is digitized, it may be switched by digital switching methods or transmitted long distance (T1, microwave, satellites, etc.) without degradation. The name codec is an acronym from "Coder" for the A/D used to digitize voice, and "Decoder" for the D/A used for reconstructing voice. A codec is a single device that does both the A/D and D/A conversions.

To digitize intelligible voice requires a signal to distortion of about 30 dB for a dynamic range of about 40 dB. This may be accomplished with a linear 13-bit A/D and D/A, but will far exceed the required signal to distortion at amplitudes greater than 40 dB below the peak amplitude. This excess performance is at the expense of data per sample. Two methods of data reduction are implemented by compressing the 13-bit linear scheme to companded 8-bit schemes. These companding schemes follow a segmented or "piecewise-linear" curve formatted as sign bit, three chord bits, and four step bits. For a given chord, all 16 of the steps have the same voltage weighting. As the voltage of the analog input increases, the four step bits increment and carry to the three chord bits which increment. With the chord bits incremented, the step bits double their voltage weighting. This results in an effective resolution of 6-bits (sign + chord + four step bits) across a 42 dB dynamic range (7 chords above zero, by 6 dB per chord). There are two companding schemes used;  $\mu$ -255 Law specifically in North America, and A-Law specifically in Europe. These companding schemes are accepted world wide. The tables show the linear quantization levels to PCM words for the two companding schemes.

In a sampling environment, Nyquist theory says that to properly sample a continuous signal, it must be sampled at a frequency higher than twice the signal's highest frequency component. Voice contains spectral energy above 3 kHz, but its absence is not detrimental to intelligibility. To reduce the digital data rate, which is proportional to the sampling rate, a sample rate of 8 kHz was adopted, consistent with a bandwidth of 3 kHz. This sampling requires a low-pass filter to limit the high frequency energy above 3 kHz from distorting the inband signal. The telephone line is also subject to 50/60 Hz power line coupling which must be attenuated from the signal by a high-pass filter before the A/D converter.

The D/A process reconstructs a staircase version of the desired inband signal which has spectral images of the inband signal modulated about the sample frequency and its harmonics. These spectral images are called aliasing components which need to be attenuated to obtain the desired signal. The low-pass filter used to attenuate filter aliasing components is typically called a reconstruction or smoothing filter.

The MC145500 series PCM Codec-Filters have the codec, both presampling and reconstruction filters, a precision voltage reference on chip, and require no external components. There are five distinct versions of the Motorola MC145500 Series.

### MC145500

The MC145500 PCM Codec-Filter is intended for standard byte interleaved synchronous and asynchronous applications. The TDC pin on this device is the input to both the TDC and CCI functions in the pin description. Consequently, for  $MSI = 8$  kHz, TDC can be one of five discrete frequencies. These are 128 kHz (40 to 60% duty cycle) 1.536, 1.544, 2.048, or 2.56 MHz. (For other data clock frequencies, see MC145502 or MC145505.) The internal reference is set for 3.15 V peak full scale, and the full scale input level at TxI and output level at RxO is 6.3 V peak-to-peak. This is the +3 dBm0 level of the PCM Codec-Filter. All other functions are described in the pin description.

### MC145501

The MC145501 PCM Codec-Filter offers the same features and is for the same application as the MC145500, but offers two additional pins and features. The reference select input allows the full scale level of the device to be set at 2.5 Vp, 3.15 Vp, or 3.78 Vp. The -Tx pin allows for external transmit gain adjust and simplifies the interface to the MC3419 SLIC. Otherwise, it is identical to MC145500.

### MC145502

The MC145502 PCM Codec-Filter is the full feature 22-pin device. It is intended for use in applications requiring maximum flexibility. The MC145502 contains all the features of the MC145500 and MC145501. The MC145502 is intended for bit interleaved or byte interleaved applications with data clock frequencies which are nonstandard or time varying. One of the five standard frequencies (listed above) is applied to the CCI input, and the data clock inputs can be any frequency between 64 kHz and 4.096 MHz. The  $V_{ref}$  pin allows for use of an external shared reference or selection of the internal reference. The RxG pin accommodates gain adjustments for the inverted analog output. All three pins of the input gain-setting operational amplifier are present, providing maximum flexibility for the analog interface.

### MC145503

The MC145503 PCM Codec-Filter is intended for standard byte interleaved synchronous or asynchronous applications. TDC can be one of five discrete frequencies. These are 128 kHz (40 to 60% duty cycle), 1.536, 1.544, 2.048, or 2.56 MHz. (For other data clock frequencies, see MC145502 or MC145505.) The internal reference is set for 3.15 V peak full scale, and the full scale input level at TxI and output level at RxO is 6.3 V peak-to-peak. This is the +3 dBm0 level of the PCM Codec-Filter. The +Tx and -Tx inputs provide maximum flexibility for analog interface. All other functions are described in the pin description.

### MC145505

The MC145505 PCM Codec-Filter is intended for byte interleaved synchronous applications. The MC145505 has all the features of the MC145503 but internally connects TDC and RDC (see pin description) to the DC pin. One of the five standard frequencies (listed above) should be applied to



CCI. The data clock input (DC) can be any frequency between 64 kHz and 4.096 MHz.

## PIN DESCRIPTIONS

### DIGITAL

#### V<sub>LS</sub>

##### Logic Level Select input and TTL Digital Ground

V<sub>LS</sub> controls the logic levels and digital ground reference for all digital inputs and the digital output. These devices can operate with logic levels from full supply (V<sub>SS</sub> to V<sub>DD</sub>) or with TTL logic levels using V<sub>LS</sub> as digital ground. For V<sub>LS</sub> = V<sub>DD</sub>, all I/O is full supply (V<sub>SS</sub> to V<sub>DD</sub> swing) with CMOS switch points. For V<sub>SS</sub> < V<sub>LS</sub> < (V<sub>DD</sub> - 4 V), all inputs and outputs are TTL compatible with V<sub>LS</sub> being the digital ground. The pins controlled by V<sub>LS</sub> are inputs MSI, CCI, TDE, TDC, RCE, RDC, RDD, PDI, and output TDD.

#### MSI

##### Master Synchronization Input

MSI is used for determining the sample rate of the transmit side and as a time base for selecting the internal prescale divider for the convert clock input (CCI) pin. The MSI pin should be tied to an 8 kHz clock which may be a frame sync or system sync signal. MSI has no relation to transmit or receive data timing, except for determining the internal transmit strobe as described under the TDE pin description. MSI should be derived from the transmit timing in asynchronous applications. In many applications MSI can be tied to TDE. (MSI is tied internally to TDE in MC145503/05.)

#### CCI

##### Convert Clock Input

CCI is designed to accept five discrete clock frequencies. These are 128 kHz, 1.536 MHz, 1.544 MHz, 2.048 MHz, or 2.56 MHz. The frequency at this input is compared with MSI and prescale divided to produce the internal sequencing clock at 128 kHz (or 16 times the sampling rate). The duty cycle of CCI is dictated by the minimum pulse width except for 128 kHz, which is used directly for internal sequencing and must have a 40 to 60% duty cycle. In asynchronous applications, CCI should be derived from transmit timing. (CCI is tied internally to TDC in MC145500/01/03.)

#### TDC

##### Transmit Data Clock Input

TDC can be any frequency from 64 kHz to 4.096 MHz, and is often tied to CCI if the data rate is equal to one of the five discrete frequencies. This clock is the shift clock for the transmit shift register and its rising edges produce successive data bits at TDD. TDE should be derived from this clock. (TDC and RDC are tied together internally in the MC145505 and are called DC.) CCI is internally tied to TDC on the MC145500/01/03. Therefore, TDC must satisfy CCI timing requirements also.

#### TDE

##### Transmit Data Enable Input

TDE serves three major functions. The first TDE rising edge following an MSI rising edge generates the internal transmit strobe which initiates an A/D conversion. The internal transmit strobe also transfers a new PCM data word into

the transmit shift register (sign bit first) ready to be output at TDD. The TDE pin is the high impedance control for the transmit digital data (TDD) output. As long as this pin is high, the TDD output stays low impedance. This pin also enables the output shift register for clocking out the 8-bit serial PCM word. The logical AND of the TDE pin with the TDC pin clocks out a new data bit at TDD. TDE should be held high for eight consecutive TDC cycles to clock out a complete PCM word for byte interleaved applications. The transmit shift register feeds back on itself to allow multiple reads of the transmit data. If the PCM word is clocked out once per frame in a byte interleaved system, the MSI pin function is transparent and may be connected to TDE.

The TDE pin may be cycled during a PCM word for bit interleaved applications. TDE controls both the high impedance state of the TDD output and the internal shift clock. TDE must fall before TDC rises (t<sub>SU8</sub>) to ensure integrity of the next data bit. There must be at least two TDC falling edges between the last TDE rising edge of one frame and the first TDE rising edge of the next frame. MSI must be available separate from TDE for bit interleaved applications.

#### TDD

##### Transmit Digital Data Output

The output levels at this pin are controlled by the V<sub>LS</sub> pin. For V<sub>LS</sub> connected to V<sub>DD</sub>, the output levels are from V<sub>SS</sub> to V<sub>DD</sub>. For a voltage of V<sub>LS</sub> between V<sub>DD</sub>-4 V and V<sub>SS</sub>, the output levels are TTL compatible with V<sub>LS</sub> being the digital ground supply. The TDD pin is a three-state output controlled by the TDE pin. The timing of this pin is controlled by TDC and TDE. When in TTL mode, this output may be made high-speed CMOS compatible using a pull-up resistor. The data format (Mu-Law, A-Law, or sign magnitude) is controlled by the Mu/A pin.

#### RDC

##### Receive Data Clock Input

RDC can be any frequency from 64 kHz to 4.096 MHz. This pin is often tied to the TDC pin for applications that can use a common clock for both transmit and receive data transfers. The receive shift register is controlled by the receive clock enable (RCE) pin to clock data into the receive digital data (RDD) pin on falling RDC edges. These three signals can be asynchronous with all other digital pins. The RDC input is internally tied to the TDC input on the MC145505 and called DC.

#### RCE

##### Receive Clock Enable Input

The rising edge of RCE should identify the sign bit of a receive PCM word on RDD. The next falling edge of RDC, after a rising RCE, loads the first bit of the PCM word into the receive register. The next seven falling edges enter the remainder of the PCM word. On the ninth rising edge, the receive PCM word is transferred to the receive buffer register and the A/D sequence is interrupted to commence the decode process. In asynchronous applications with an 8 kHz transmit sample rate, the receive sample rate should be between 7.5 and 8.5 kHz. Two receive PCM words may be decoded and analog summed each transmit frame to allow on-chip conferencing. The two PCM words should be clocked in as two single PCM words, a minimum of 31.25 μs apart, with a receive data clock of 512 kHz or faster.

## RDD

### Receive Digital Data Input

RDD is the receive digital data input. The timing for this pin is controlled by RDC and RCE. The data format is determined by the Mu/A pin.

## Mu/A

### Select

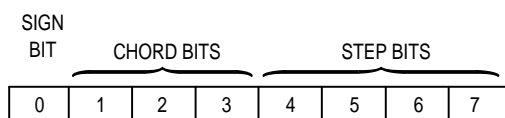
This pin selects the companding law and the data format at TDD and RDD.

Mu/A =  $V_{DD}$ ; Mu–255 Companding D3 Data Format with Zero Code Suppress

Mu/A =  $V_{AG}$ ; Mu–255 Companding with Sign Magnitude Data Format

Mu/A =  $V_{SS}$ ; A–Law Companding with CCITT Data Format Bit Inversions

Code	Sign/ Magnitude	Mu–Law	A–Law (CCITT)
+ Full Scale	1111 1111	1000 0000	1010 1010
+ Zero	1000 0000	1111 1111	1101 0101
– Zero	0000 0000	0111 1111	0101 0101
– Full Scale	0111 1111	0000 0010	0010 1010



NOTE: Starting from sign magnitude, to change format:

To Mu–Law —

MSB is unchanged (sign)

Invert remaining seven bits

If code is 0000 0000, change to 0000 0010 (for zero code suppression)

To A–Law —

MSB is unchanged (sign)

Invert odd numbered bits

Ignore zero code suppression

## PDI

### Power Down Input

The power down input disables the bias circuitry and gates off all clock inputs. This puts the  $V_{AG}$ , TxI, RxO, and TDD outputs into a high-impedance state. The power dissipation is reduced to 0.1 mW when PDI is a low logic level. The circuit operates normally with PDI =  $V_{DD}$  or with a logic high as defined by connection at  $V_{LS}$ . TDD will not come out of high impedance for two MSI cycles after PDI goes high.

## DCLK

### Data Clock Input

In the MC145505, TDC and RDC are internally connected to DCLK.

## ANALOG

## $V_{AG}$

### Analog Ground input/Output Pin

$V_{AG}$  is the analog ground power supply input/output. All analog signals into and out of the device use this as their ground reference. Each version of the MC145500 PCM Co-

dec–Filter family can provide its own analog ground supply internally. The dc voltage of this internal supply is 6% positive of the midway between  $V_{DD}$  and  $V_{SS}$ . This supply can sink more than 8 mA but has a current source limited to 400  $\mu$ A. The output of this supply is internally connected to the analog ground input of the part. The node where this supply and the analog ground are connected is brought out to the  $V_{AG}$  pin. In symmetric dual supply systems ( $\pm 5$ ,  $\pm 6$ , etc.),  $V_{AG}$  may be externally tied to the system analog ground supply. When RxO or RxO drive low impedance loads tied to  $V_{AG}$ , a pull–up resistor to  $V_{DD}$  will be required to boost the source current capability if  $V_{AG}$  is not tied to the supply ground. All analog signals for the part are referenced to  $V_{AG}$ , including noise; therefore, decoupling capacitors (0.1  $\mu$ F) should be used from  $V_{DD}$  to  $V_{AG}$  and  $V_{SS}$  to  $V_{AG}$ .

## $V_{ref}$

### Positive Voltage Reference Input (MC145502 Only)

The  $V_{ref}$  pin allows an external reference voltage to be used for the A/D and D/A conversions. If  $V_{ref}$  is tied to  $V_{SS}$ , the internal reference is selected. If  $V_{ref} > V_{AG}$ , then the external mode is selected and the voltage applied to  $V_{ref}$  is used for generating the internal converter reference voltage. In either internal or external reference mode, the actual voltage used for conversion is multiplied by the ratio selected by the RSI pin. The RSI pin circuitry is explained under its pin description below. Both the internal and external references are inverted within the PCM Codec–Filter for negative input voltages such that only one reference is required.

**External Mode** — In the external reference mode ( $V_{ref} > V_{AG}$ ), a 2.5 V reference like the MC1403 may be connected from  $V_{ref}$  to  $V_{AG}$ . A single external reference may be shared by tying together a number of  $V_{ref}$  pins and  $V_{AG}$  pins from different codec–filters. In special applications, the external reference voltage may be between 0.5 and 5 V. However, the reference voltage gain selection circuitry associated with RSI must be considered to arrive at the desired codec–filter gain.

**Internal Mode** — In the internal reference mode ( $V_{ref} = V_{SS}$ ), an internal 2.5 V reference supplies the reference voltage for the RSI circuitry. The  $V_{ref}$  pin is functionally connected to  $V_{SS}$  for the MC145500, MC145501, MC145503, and MC145505 pinouts.

## RSI

### Reference Select Input (MC145501/02 Only)

The RSI input allows the selection of three different overload or full–scale A/D and D/A converter reference voltages independent of the internal or external reference mode. The RSI pin is a digital input that senses three different logic states:  $V_{SS}$ ,  $V_{AG}$ , and  $V_{DD}$ . For RSI =  $V_{AG}$ , the reference voltage is used directly for the converters. The internal reference is 2.5 V. For RSI =  $V_{SS}$ , the reference voltage is multiplied by the ratio of 1.26, which results in an internal converter reference of 3.15 V. For RSI =  $V_{DD}$ , the reference voltage is multiplied by 1.51, which results in an internal converter reference of 3.78 V. The device requires a minimum of 1.0 V of headroom between the internal converter reference to  $V_{DD}$ .  $V_{SS}$  has this same absolute valued minimum, also measured from  $V_{AG}$  pin. The various modes of operation are summarized in Table 2. The RSI pin is functionally connected to  $V_{SS}$  for the MC145500, MC145503, and MC145505 pinouts.

## RxO, RxO

### Receive Analog Outputs

These two complimentary outputs are generated from the output of the receive filter. They are equal in magnitude and out of phase. The maximum signal output of each is equal to the maximum peak-to-peak signal described with the reference. If a 3.15 V reference is used with RSI tied to  $V_{AG}$  and a +3 dBm0 sine wave is decoded, the RxO output will be a 6.3 V peak-to-peak signal. RxO will also have an inverted signal output of 6.3 V peak-to-peak. External loads may be connected from RxO to RxO for a 6 dB push-pull signal gain or from either RxO or RxO to  $V_{AG}$ . With a 3.15 V reference each output will drive 600  $\Omega$  to +9 dBm. With RSI tied to  $V_{DD}$ , each output will drive 900  $\Omega$  to +9 dBm.

## RxG

### Receive Output Gain Adjust (MC145502 Only)

The purpose of the RxG pin is to allow external gain adjustment for the RxO pin. If RxG is left open, then the output signal at RxO will be inverted and output at RxO. Thus the push-pull gain to a load from RxO to RxO is two times the output level at RxO. If external resistors are applied from RxO to RxG (RI) and from RxG to RxO (RG), the gain of RxO can be set differently from inverting unity. These resistors should be in the range of 10 k $\Omega$ . The RxO output level is unchanged by the resistors and the RxO gain is approximately equal to minus RG/RI. The actual gain is determined by taking into account the internal resistors which will be in parallel to these external resistors. The internal resistors have a large tolerance, but they match each other very closely. This matching tends to minimize the effects of their tolerance on external gain configurations. The circuit for RxG and RxO is shown in the block diagram.

## Txl

### Transmit Analog Input

Txl is the input to the transmit filter. It is also the output of the transmit gain amplifiers of the MC145501/02/03/05. The input impedance is greater than 100 k $\Omega$  to  $V_{AG}$  in the MC145500. The Txl input has an internal gain of 1.0, such that a +3 dBm0 signal at Txl corresponds to the peak converter reference voltage as described in the  $V_{ref}$  and RSI pin descriptions. For 3.15 V reference, the +3 dBm0 input should be 6.3 V peak-to-peak.

## +Tx / -Tx

### Positive Tx Amplifier Input (MC145502/03/05 Only) / Negative Tx Amplifier Input (MC145501/02/03/05 Only)

The Txl pin is the input to the transmit band-pass filter. If +Tx or -Tx is available, then there is an internal amplifier preceding the filter whose pins are +Tx, -Tx, and Txl. These pins allow access to the amplifier terminals to tailor the input gain with external resistors. The resistors should be in the range of 10 k $\Omega$ . If +Tx is not available, it is internally tied to  $V_{AG}$ . If -Tx and +Tx are not available, the Txl is a unity gain high-impedance input.

## POWER SUPPLIES

### $V_{DD}$

#### Most Positive Power Supply

$V_{DD}$  is typically 5 to 12 V.

### $V_{SS}$

#### Most Negative Power Supply

$V_{SS}$  is typically 10 to 12 V negative of  $V_{DD}$ .

For a  $\pm 5$  V dual-supply system, the typical power supply configuration is  $V_{DD} = +5$  V,  $V_{SS} = -5$  V,  $V_{LS} = 0$  V (digital ground accommodating TTL logic levels), and  $V_{AG} = 0$  V being tied to system analog ground.

For single-supply applications, typical power supply configurations include:

$V_{DD} = 10$  V to 12 V

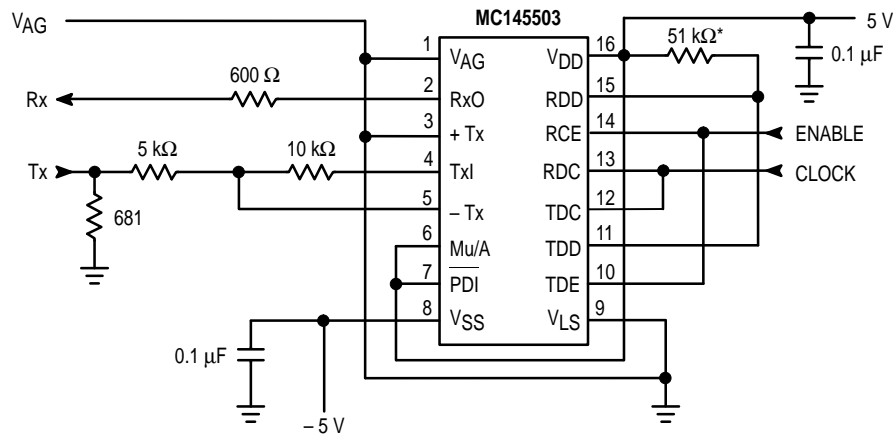
$V_{SS} = 0$  V

$V_{AG}$  generates a mid supply voltage for referencing all analog signals.

$V_{LS}$  controls the logic levels. This pin should be connected to  $V_{DD}$  for CMOS logic levels from  $V_{SS}$  to  $V_{DD}$ . This pin should be connected to digital ground for true TTL logic levels referenced to  $V_{LS}$ .

## TESTING CONSIDERATIONS (MC145500/01/02 ONLY)

An analog test mode is activated by connecting MSI and CCI to 128 kHz. In this mode, the input of the A/D (the output of the Tx filter) is available at the PDI pin. This input is direct coupled to the A/D side of the codec. The A/D is a differential design. This results in the gain of this input being effectively attenuated by half. If monitored with a high-impedance buffer, the output of the Tx low-pass filter can also be measured at the PDI pin. This test mode allows independent evaluation of the transmit low-pass filter and A/D side of the codec. The transmit and receive channels of these devices are tested with the codec-filter fully functional.



\* To define RDD when TDD is high Z.

Figure 1. Test Circuit

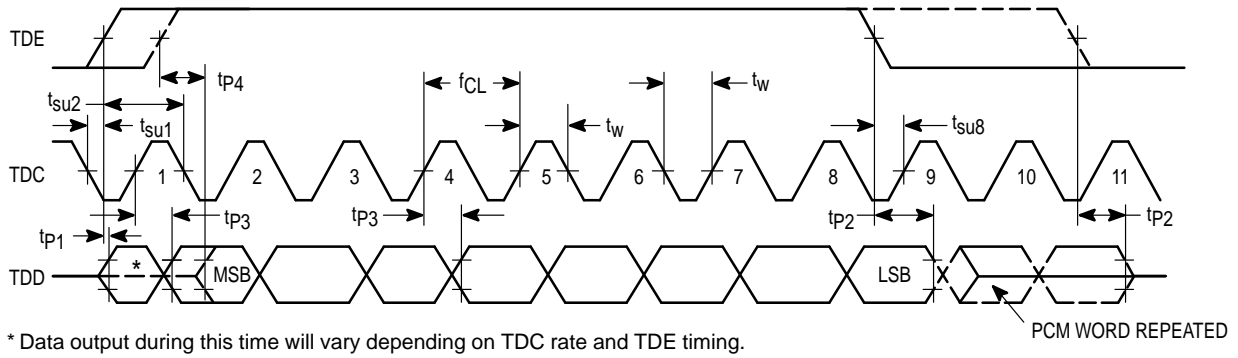
Table 1. Options Available by Pin Selection

RSI* Pin Level	V <sub>ref</sub> * Pin Level	Peak-to-Peak Overload Voltage (TxI, RxO)
V <sub>DD</sub>	V <sub>SS</sub>	7.56 V p-p
V <sub>DD</sub>	V <sub>AG</sub> + V <sub>EXT</sub>	(3.02 × V <sub>EXT</sub> ) V p-p
V <sub>AG</sub>	V <sub>SS</sub>	5 V p-p
V <sub>AG</sub>	V <sub>AG</sub> + V <sub>EXT</sub>	(2 × V <sub>EXT</sub> ) V p-p
V <sub>SS</sub>	V <sub>SS</sub>	6.3 V p-p
V <sub>SS</sub>	V <sub>AG</sub> + V <sub>EXT</sub>	(2.52 × V <sub>EXT</sub> ) V p-p

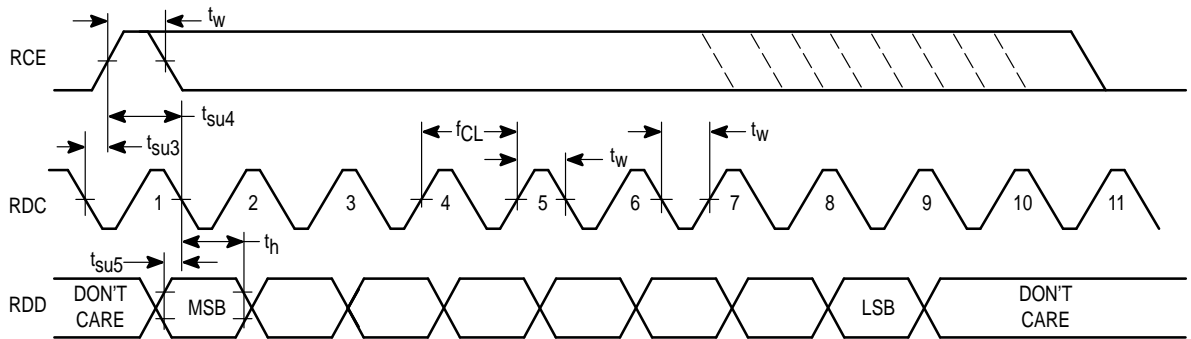
\* On MC145500/03/05, RSI and V<sub>ref</sub> tied internally to V<sub>SS</sub>. On MC145501, V<sub>ref</sub> tied internally to V<sub>SS</sub>.

Table 2. Summary of Operation Conditions User Programmed Through Pins V<sub>DD</sub>, V<sub>AG</sub>, and V<sub>SS</sub>

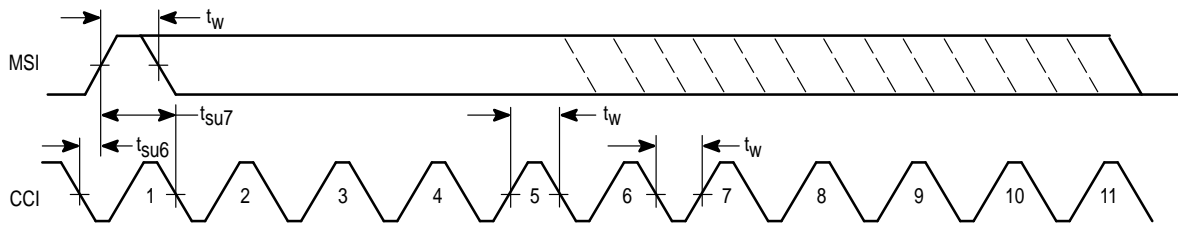
Logic Level \ Pin Programmed	Mu/A	RSI Peak Overload Voltage	V <sub>LS</sub>
V <sub>DD</sub>	Mu-Law Companding Curve and D3/D4 Digital Formats with Zero Code Suppress	3.78	CMOS Logic Levels
V <sub>AG</sub>	Mu-Law Companding Curve and Sign Magnitude Data Format	2.50	TTL Levels V <sub>AG</sub> Up
V <sub>SS</sub>	A-Law Companding Curve and CCITT Digital Format	3.15	TTL Levels V <sub>SS</sub> Up



**Figure 2. Transmit Timing Diagram**



**Figure 3. Receive Timing Diagram**



**Figure 4. MSI/CCI Timing Diagram**

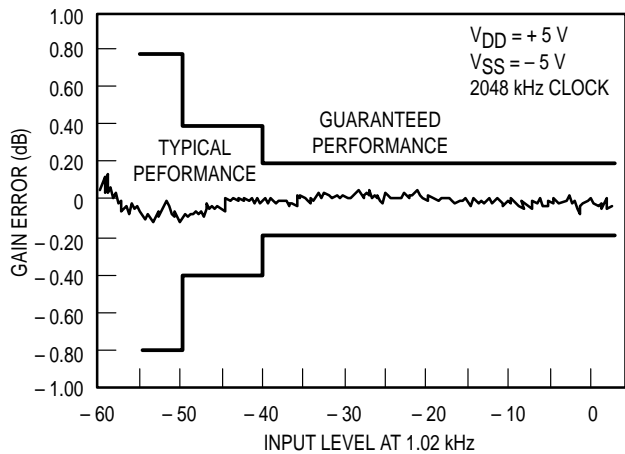


Figure 5. MC145502 Gain vs Level Mu-Law Transmit

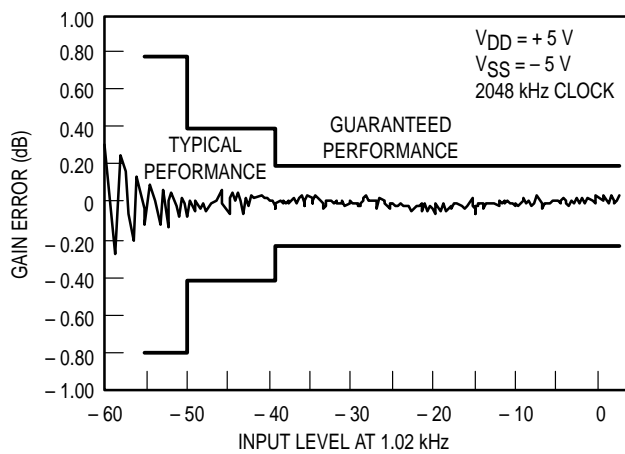


Figure 6. MC145502 Gain vs Level Mu-Law Receive

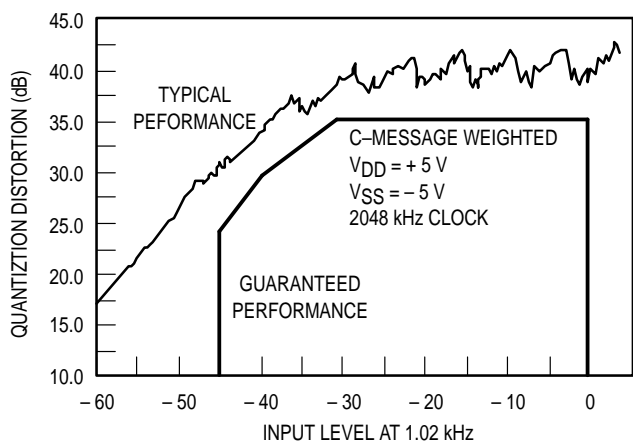


Figure 7. MC145502 Quantization Distortion Mu-Law Transmit

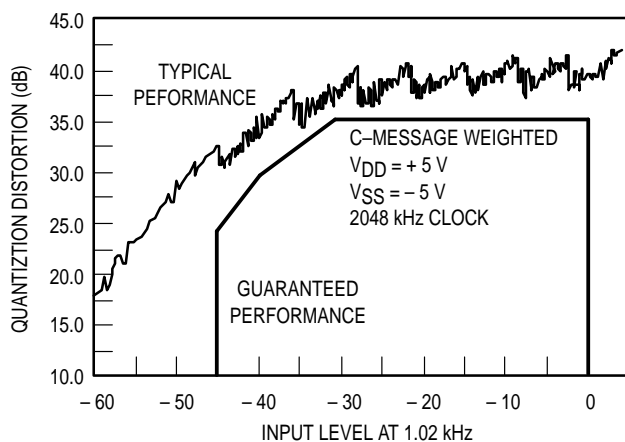


Figure 8. MC145502 Quantization Distortion Mu-Law Receive

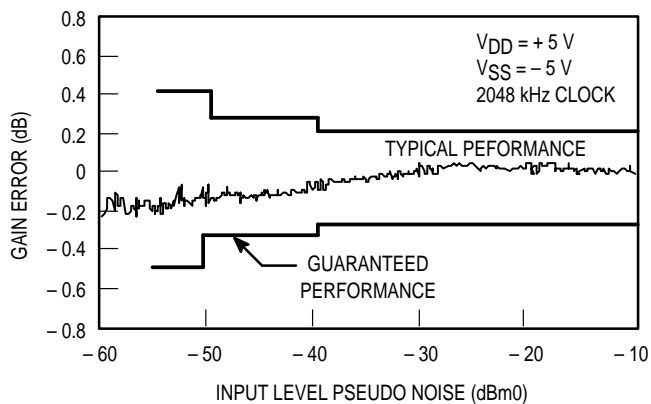


Figure 9. MC145502 Gain vs Level A-Law Transmit

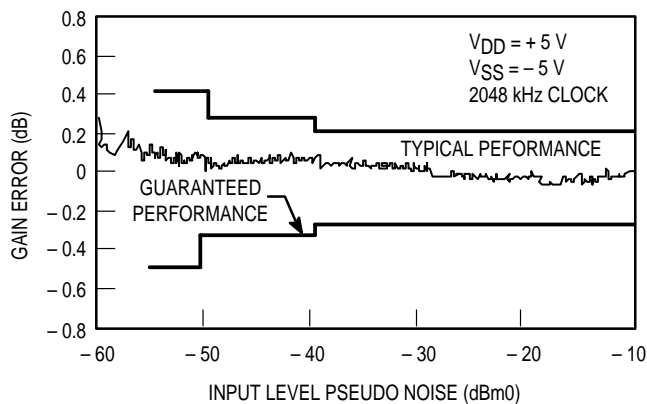
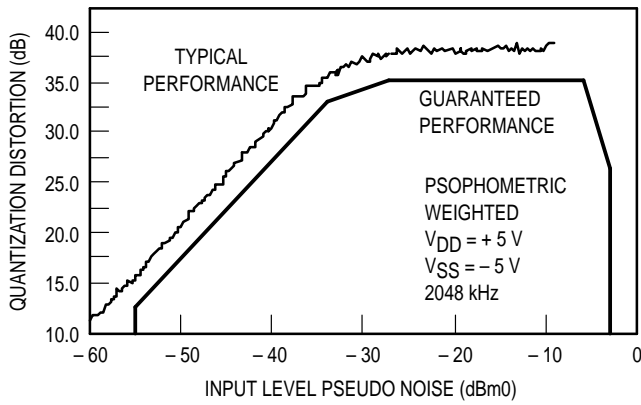
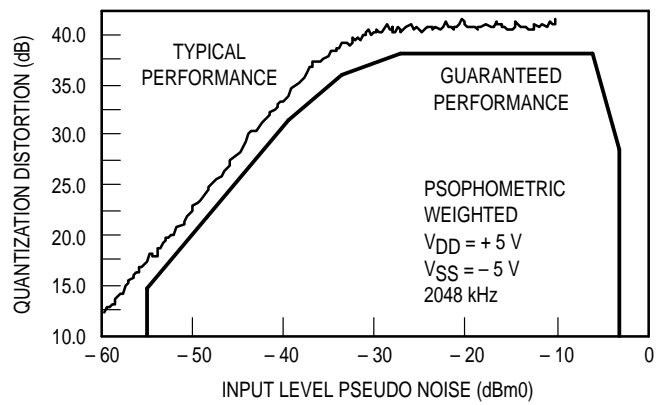


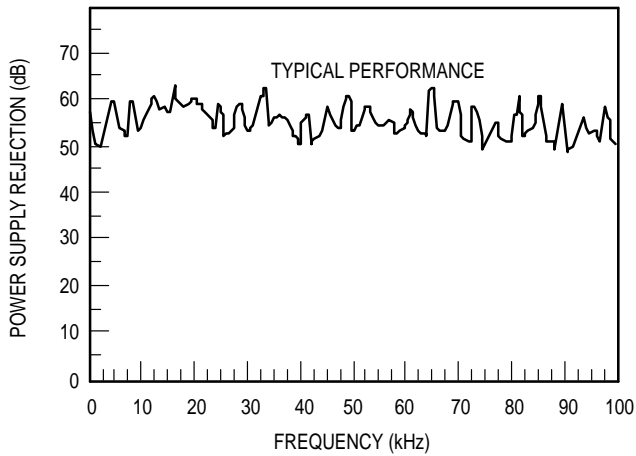
Figure 10. MC145502 Gain vs Level A-Law Receive



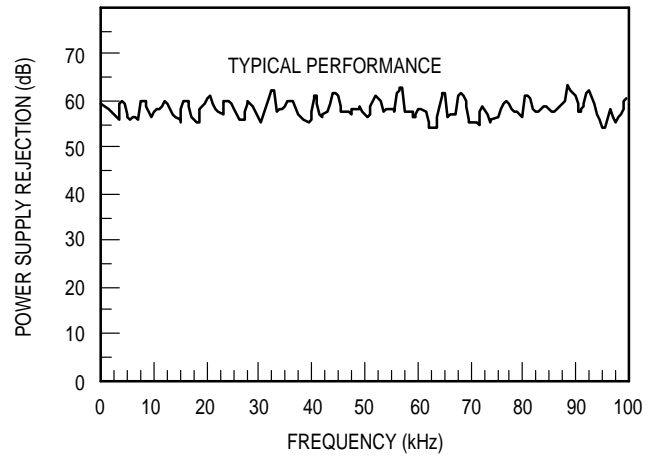
**Figure 11. MC145502 Quantization Distortion A-Law Transmit**



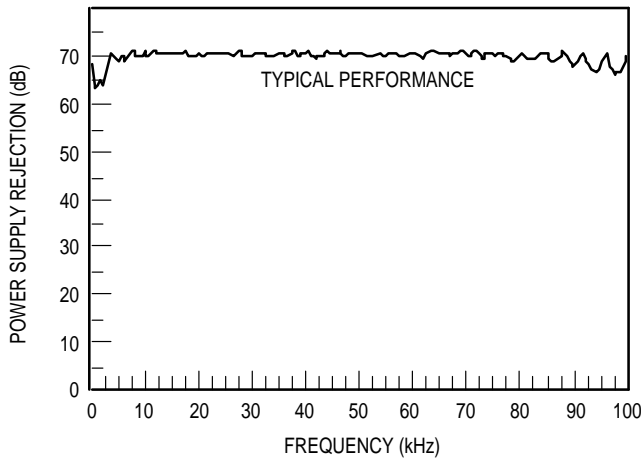
**Figure 12. MC145502 Quantization Distortion A-Law Receive**



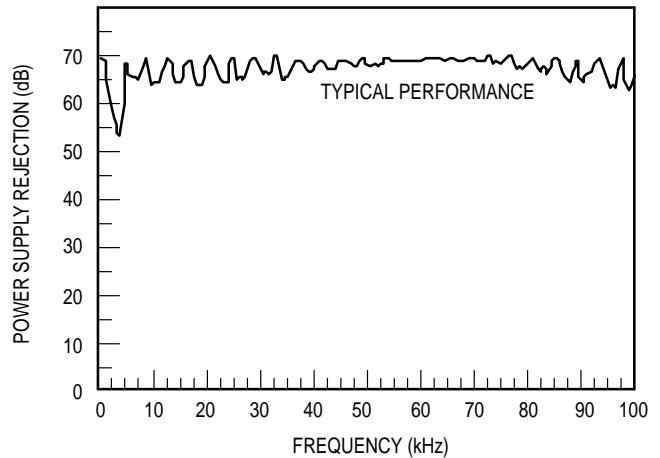
**Figure 13. MC145502 Power Supply Rejection Ratio Positive Transmit VAC = 250 mVrms, C-Message Weighted**



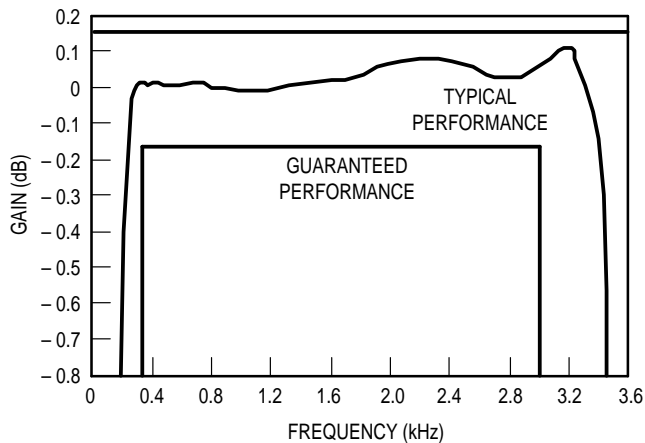
**Figure 14. MC145502 Power Supply Rejection Ratio Negative Transmit VAC = 250 mVrms, C-Message Weighted**



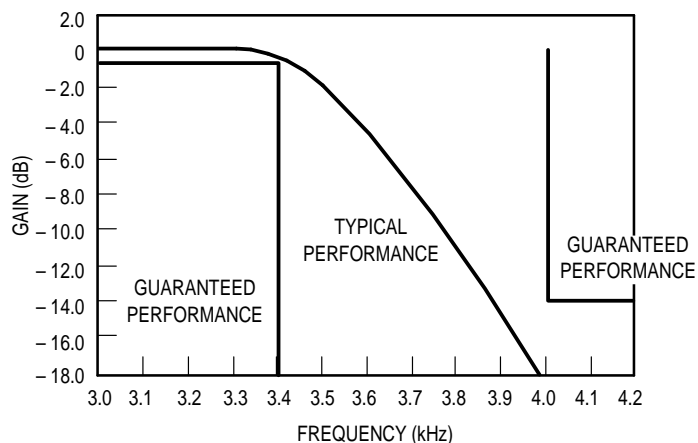
**Figure 15. MC145502 Power Supply Rejection Ratio Positive Receive VAC = 250 mVrms, C-Message Weighted**



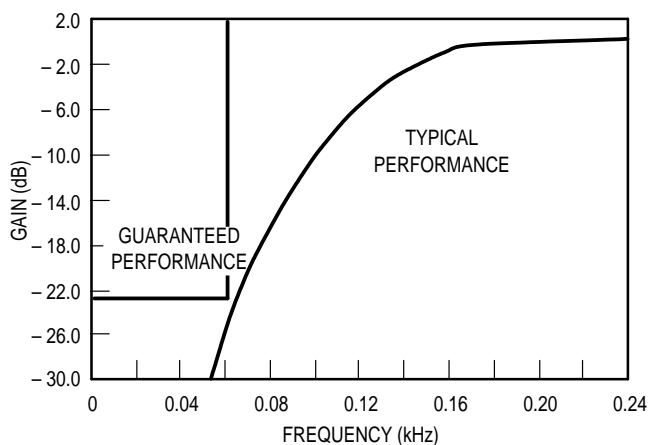
**Figure 16. MC145502 Power Supply Rejection Ratio Negative Receive VAC = 250 mVrms, C-Message Weighted**



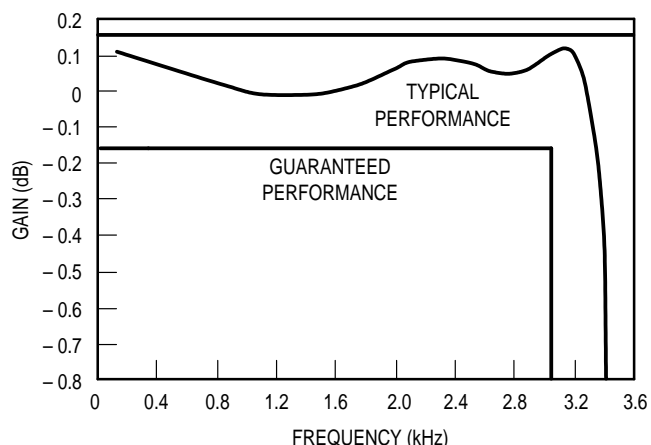
**Figure 17. MC145502 Pass-Band Filter Response Transmit**



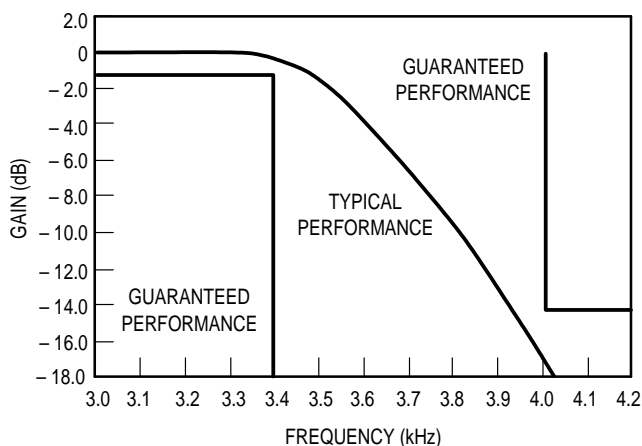
**Figure 18. MC145502 Low-Pass Filter Response Transmit**



**Figure 19. MC145502 High-Pass Filter Response Transmit**

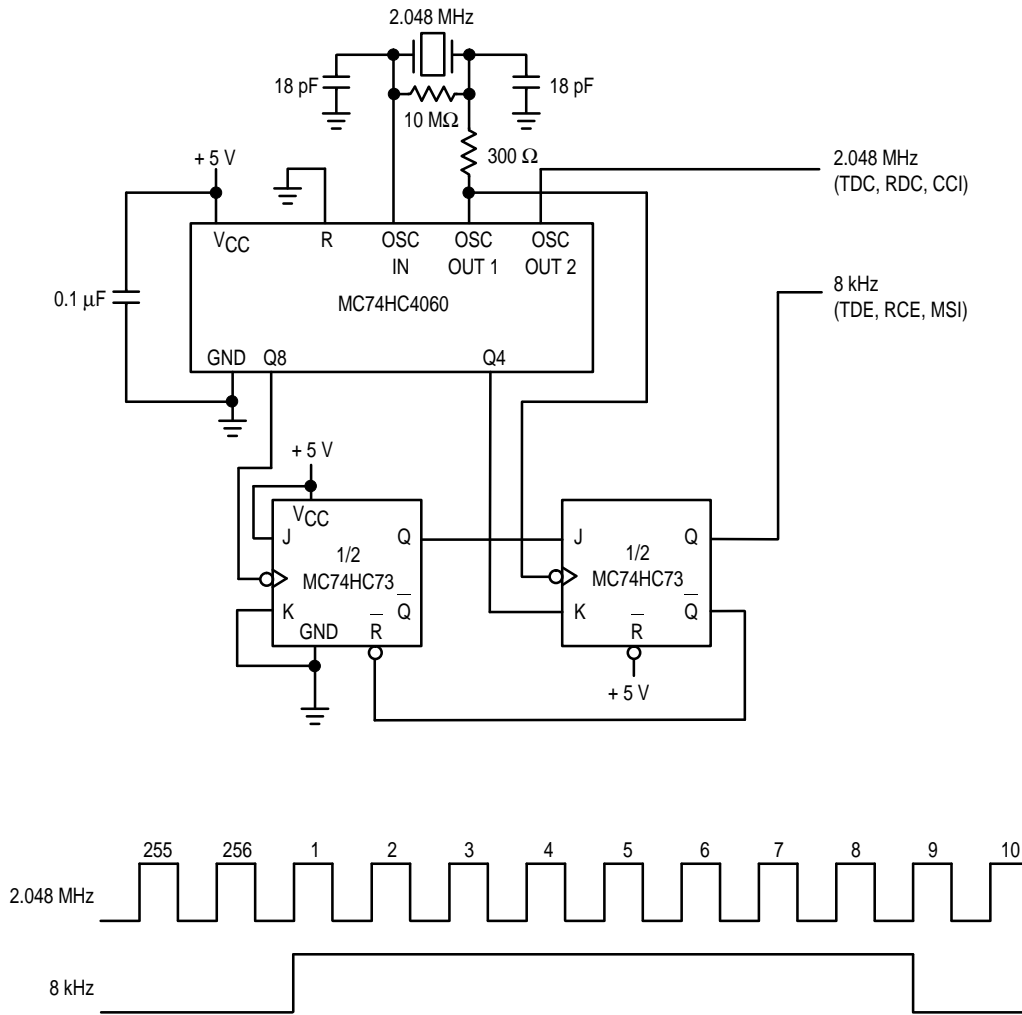


**Figure 20. MC145502 Pass-Band Filter Response Receive**

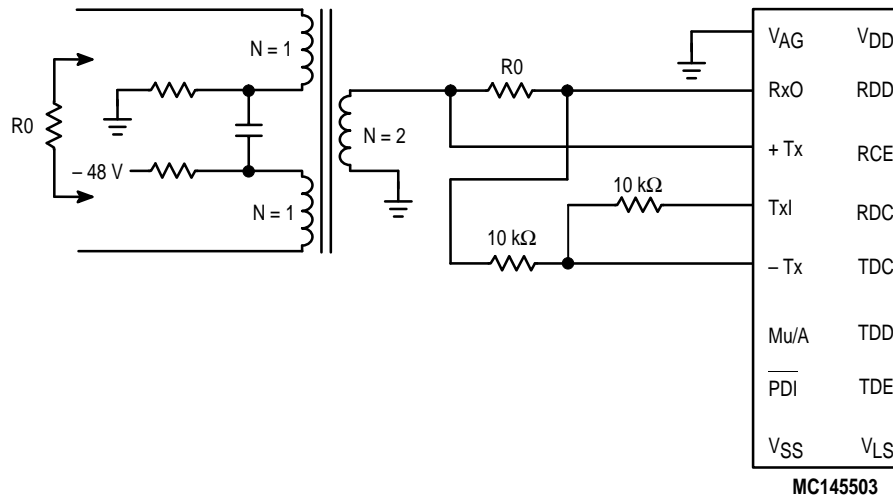


**Figure 21. MC145502 Low-Pass Filter Response Receive**

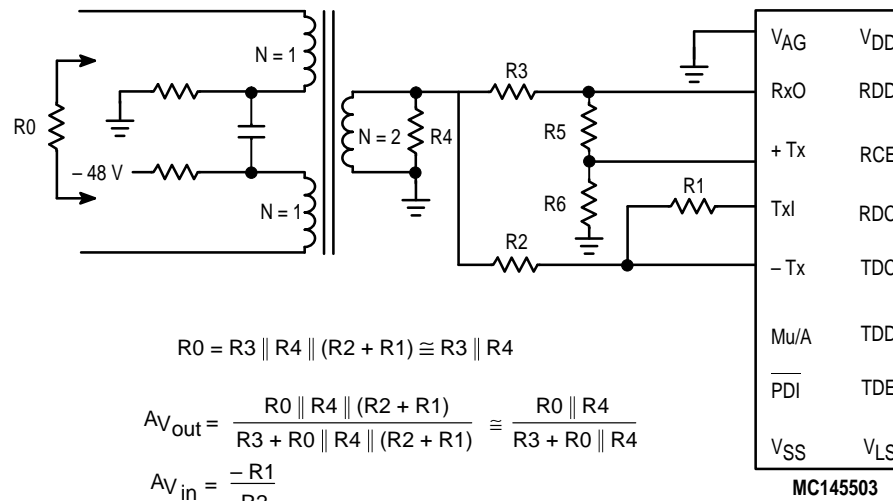




**Figure 22. Simple Clock Circuit for Driving MC145500/01/02/03/05 Codec-Filters**



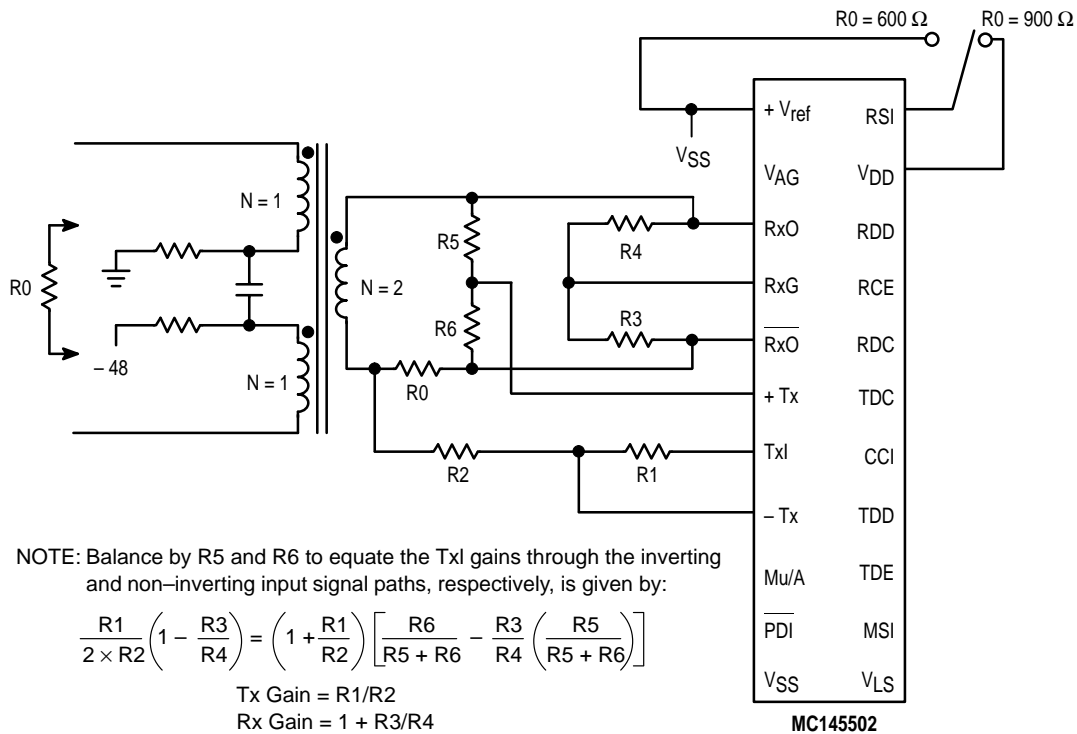
**23a. Simplified Transformer Hybrid Using MC145503**



NOTE: Hybrid Balance by R5 and R6 to equate the RxO signal gain at TxI through the inverting and non-inverting signal paths.

**23b. Universal Transformer Hybrid Using MC145503**

**Figure 23. Hybrid Interfaces to the MC145503 PCM Codec-Filter Mono-Circuit**



NOTE: Balance by R5 and R6 to equate the TxI gains through the inverting and non-inverting input signal paths, respectively, is given by:

$$\frac{R1}{2 \times R2} \left( 1 - \frac{R3}{R4} \right) = \left( 1 + \frac{R1}{R2} \right) \left[ \frac{R6}{R5 + R6} - \frac{R3}{R4} \left( \frac{R5}{R5 + R6} \right) \right]$$

Tx Gain = R1/R2

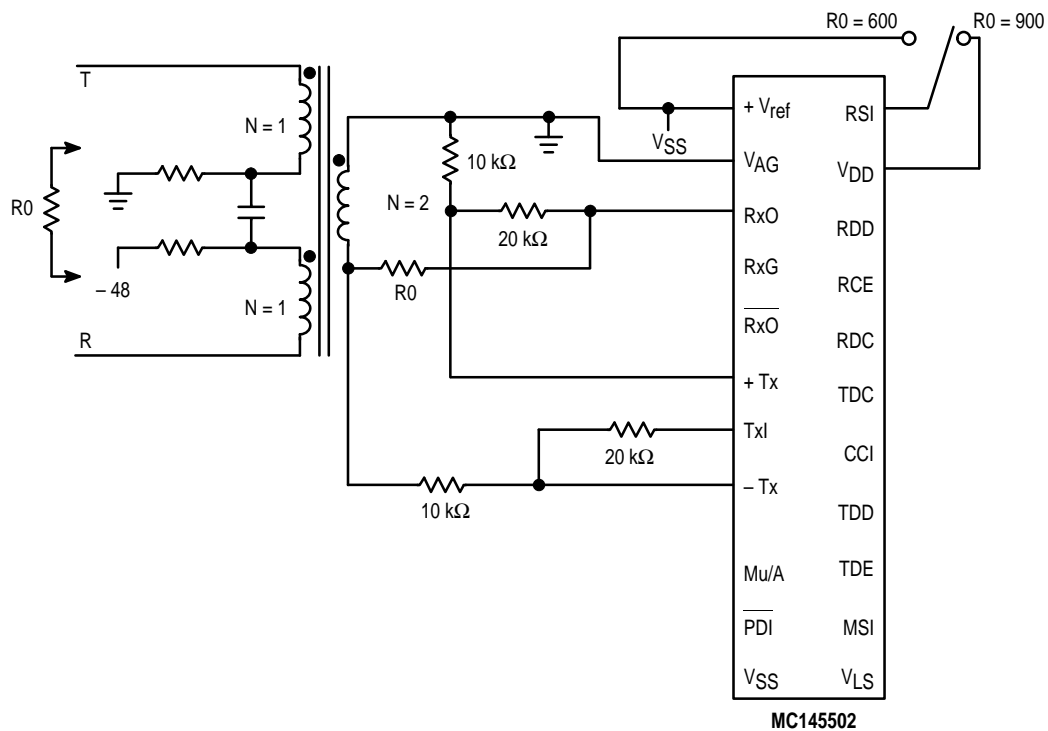
Rx Gain = 1 + R3/R4

R5, R6 ≈ 10 kΩ

Adjust Rx Gain with R3

Adjust Tx Gain with R1

#### 24a. Universal Transformer Hybrid Using MC145502



#### 24b. Single-Ended Hybrid Using MC145502

Figure 24. Hybrid Interfaces to the MC145502 PCM Codec-Filter Mono-Circuit

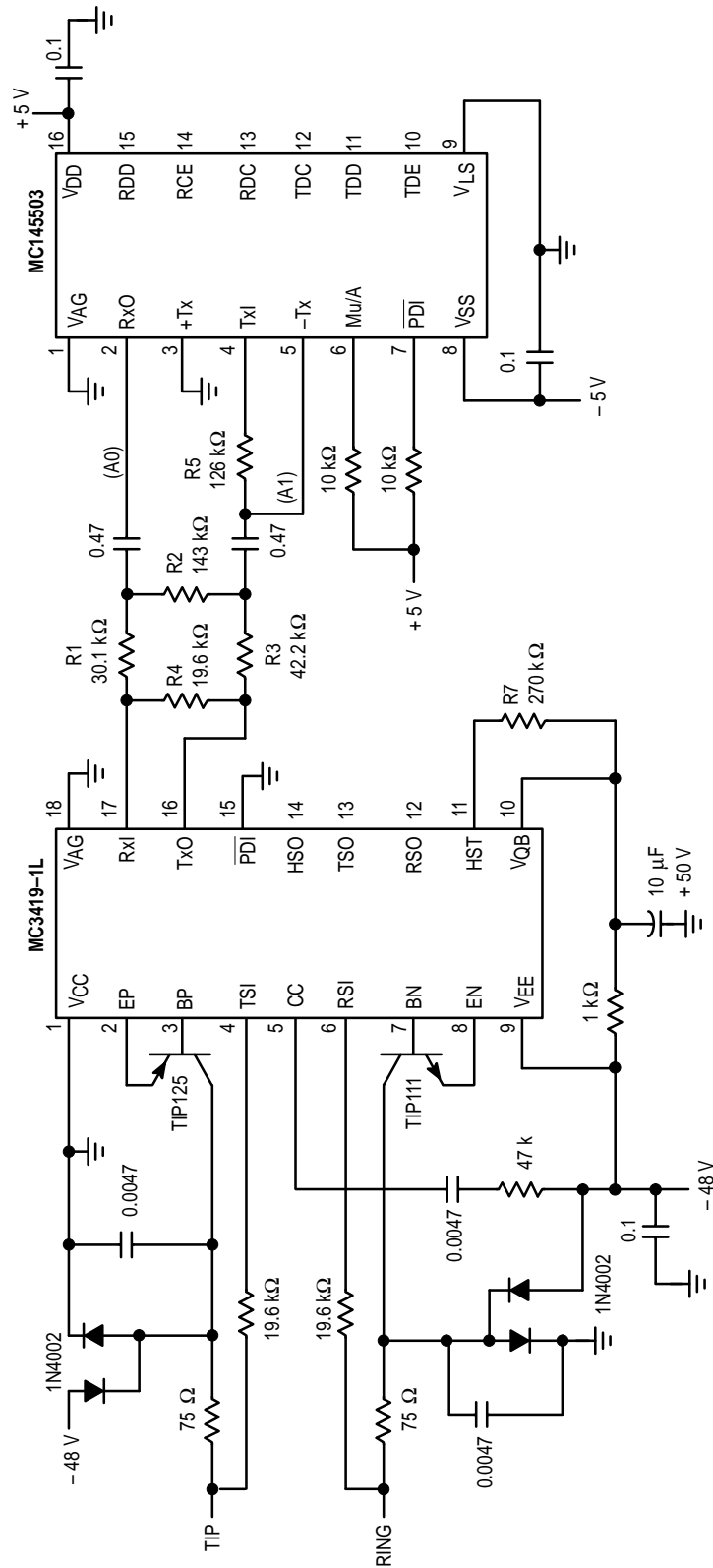
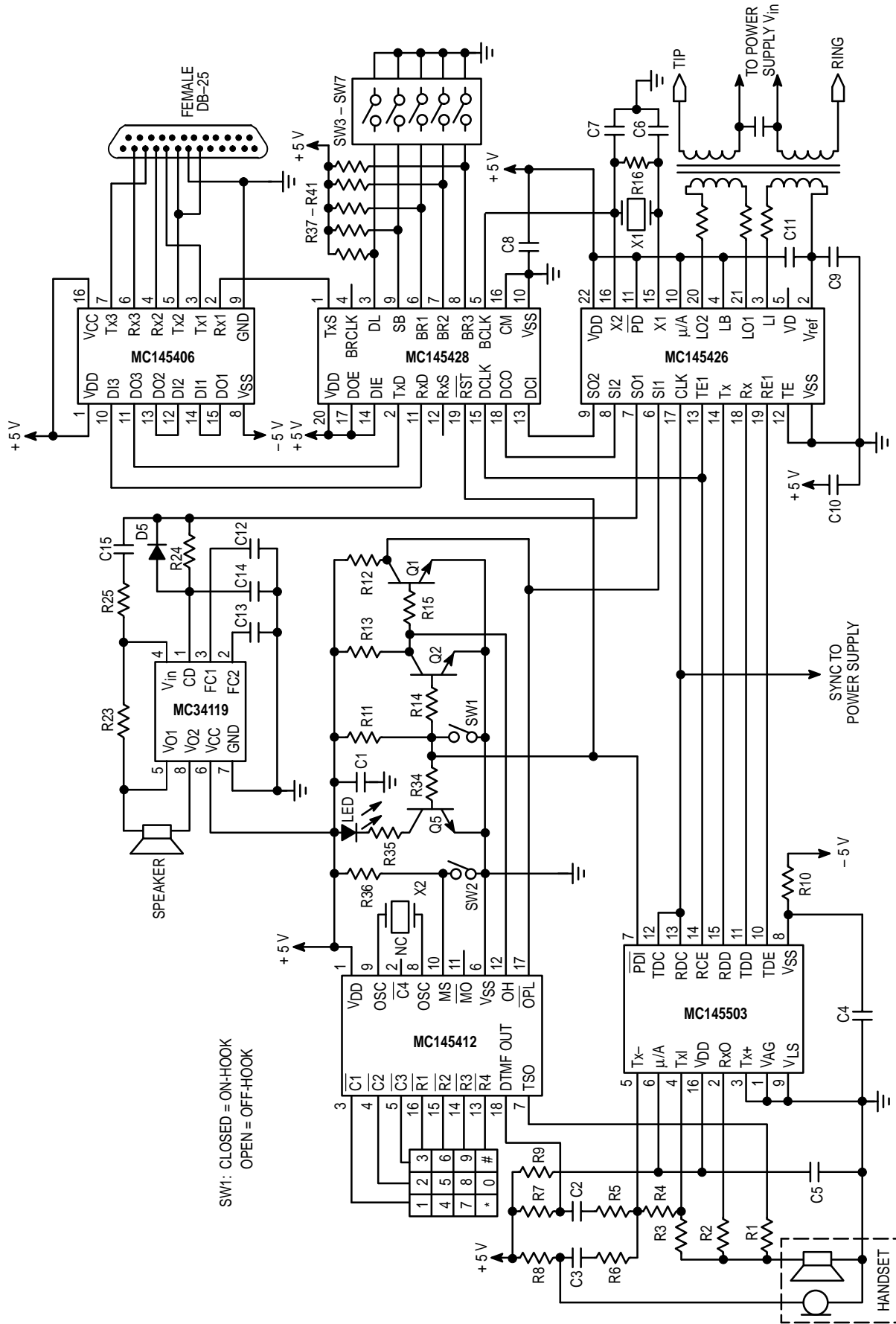


Figure 25. A Complete Single Party Channel Unit Using MC3419 SLIC and MC145503 PCM Mono-Circuit



SW1: CLOSED = ON-HOOK  
 OPEN = OFF-HOOK

Refer to AN968 for more information.

Figure 26. Digital Telephone Schematic

Table 3. Mu-Law Encode-Decode Characteristics

Chord Number	Number of Steps	Step Size	Normalized Encode Decision Levels	Digital Code								Normalized Decode Levels	
				1	2	3	4	5	6	7	8		
				Sign	Chord	Chord	Chord	Step	Step	Step	Step		
8	16	256	8159	1	0	0	0	0	0	0	0	0	8031
			7903	∴								∴	
			4319	1	0	0	0	1	1	1	1	4191	
7	16	128	4063	∴								∴	
			2143	1	0	0	1	1	1	1	1	2079	
			2015	∴								∴	
6	16	64	1055	1	0	1	0	1	1	1	1	1023	
			991	∴								∴	
			511	1	0	1	1	1	1	1	1	495	
4	16	16	479	∴								∴	
			239	1	1	0	0	1	1	1	1	231	
			223	∴								∴	
3	16	8	103	1	1	0	1	1	1	1	1	99	
			95	∴								∴	
			35	1	1	1	0	1	1	1	1	33	
1	15	2	31	∴								∴	
			3	1	1	1	1	1	1	1	0	2	
			1	1	1	1	1	1	1	1	1	0	
			0										

NOTES:

1. Characteristics are symmetrical about analog zero with sign bit = 0 for negative analog values.
2. Digital code includes inversion of all magnitude bits.

Table 4. A–Law Encode–Decode Characteristics

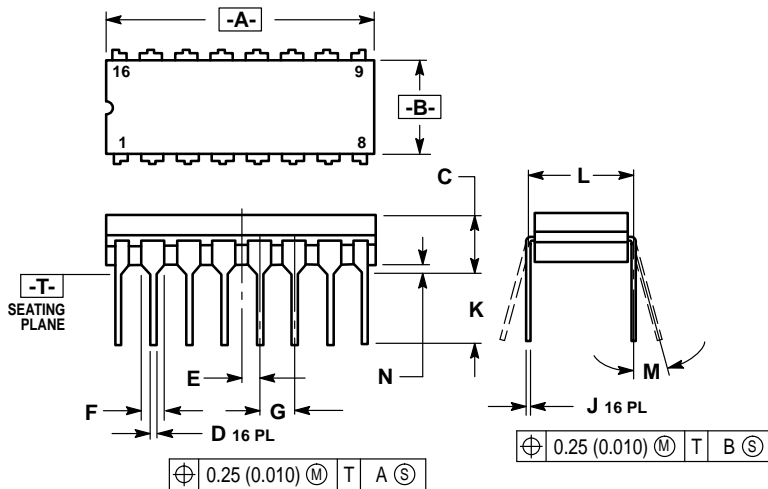
Chord Number	Number of Steps	Step Size	Normalized Encode Decision Levels	Digital Code								Normalized Decode Levels
				1	2	3	4	5	6	7	8	
				Sign	Chord	Chord	Chord	Step	Step	Step	Step	
7	16	128	4096	1	0	1	0	1	0	1	0	4032
			3968	⋮								⋮
			2176	1	0	1	0	0	1	0	1	2112
6	16	64	2048	⋮								⋮
			1088	1	0	1	1	0	1	0	1	1056
			1024	⋮								⋮
5	16	32	544	1	0	0	0	0	1	0	1	528
			512	⋮								⋮
			272	1	0	0	1	0	1	0	1	264
4	16	16	256	⋮								⋮
			136	1	1	1	0	0	1	0	1	132
			128	⋮								⋮
3	16	8	68	1	1	1	1	0	1	0	1	66
			64	⋮								⋮
			2	1	1	0	1	0	1	0	1	1
2	16	4	0	⋮								⋮
			0	⋮								⋮
			0	⋮								⋮

NOTES:

1. Characteristics are symmetrical about analog zero with sign bit = 0 for negative analog values.
2. Digital code includes alternate bit inversion, as specified by CCITT.

# PACKAGE DIMENSIONS

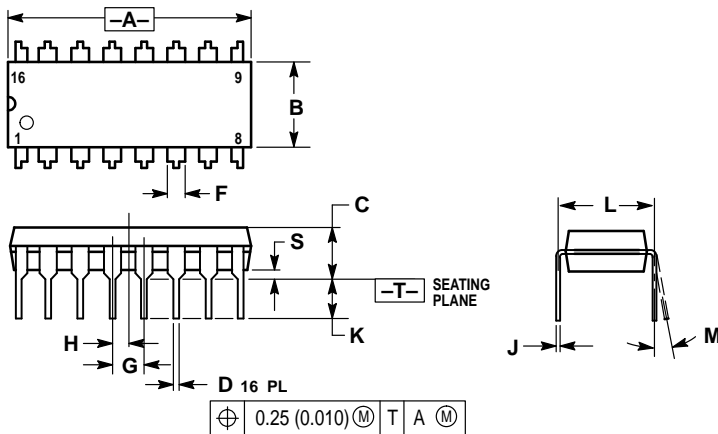
## L SUFFIX CERAMIC PACKAGE CASE 620-09 (MC145500/03/05)



- NOTES:
1. DIMENSIONING AND TOLERANCING PER ANSI Y14.5M, 1982.
  2. CONTROLLING DIMENSION: INCH.
  3. DIMENSION L TO CENTER OF LEAD WHEN FORMED PARALLEL.
  4. DIMENSION F MAY NARROW TO 0.76 (0.030) WHERE THE LEAD ENTERS THE CERAMIC BODY.

DIM	INCHES		MILLIMETERS	
	MIN	MAX	MIN	MAX
A	0.750	0.770	19.05	19.55
B	0.240	0.290	6.10	7.36
C	—	0.165	—	4.19
D	0.015	0.021	0.39	0.53
E	0.050 BSC		1.27 BSC	
F	0.055	0.070	1.40	1.77
G	0.100 BSC		2.54 BSC	
J	0.009	0.011	0.23	0.27
K	—	0.200	—	5.08
L	0.300 BSC		7.62 BSC	
M	0°	15°	0°	15°
N	0.015	0.035	0.39	0.88

## P SUFFIX PLASTIC DIP CASE 648-08 (MC145503/05)

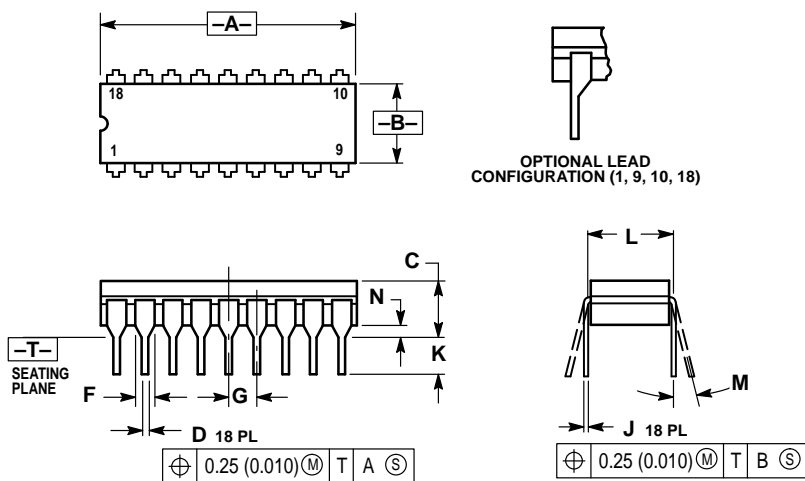


- NOTES:
1. DIMENSIONING AND TOLERANCING PER ANSI Y14.5M, 1982.
  2. CONTROLLING DIMENSION: INCH.
  3. DIMENSION L TO CENTER OF LEADS WHEN FORMED PARALLEL.
  4. DIMENSION B DOES NOT INCLUDE MOLD FLASH.
  5. ROUNDED CORNERS OPTIONAL.

DIM	INCHES		MILLIMETERS	
	MIN	MAX	MIN	MAX
A	0.740	0.770	18.80	19.55
B	0.250	0.270	6.35	6.85
C	0.145	0.175	3.69	4.44
D	0.015	0.021	0.39	0.53
F	0.040	0.70	1.02	1.77
G	0.100 BSC		2.54 BSC	
H	0.050 BSC		1.27 BSC	
J	0.008	0.015	0.21	0.38
K	0.110	0.130	2.80	3.30
L	0.295	0.305	7.50	7.74
M	0°	10°	0°	10°
S	0.020	0.040	0.51	1.01



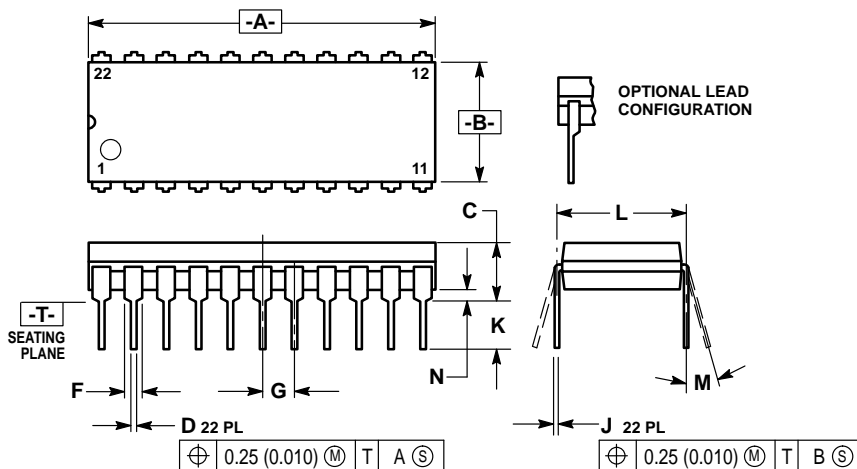
L SUFFIX  
CERAMIC PACKAGE  
CASE 726-04  
(MC145501)



- NOTES:
1. DIMENSIONING AND TOLERANCING PER ANSI Y14.5M, 1982.
  2. CONTROLLING DIMENSION: INCH.
  3. DIMENSION L TO CENTER OF LEAD WHEN FORMED PARALLEL.
  4. DIMENSION F FOR FULL LEADS. HALF LEADS OPTIONAL AT LEAD POSITIONS 1, 9, 10, AND 18.

DIM	INCHES		MILLIMETERS	
	MIN	MAX	MIN	MAX
A	0.880	0.910	22.35	23.11
B	0.240	0.295	6.10	7.49
C	—	0.200	—	5.08
D	0.015	0.021	0.38	0.53
F	0.055	0.070	1.40	1.78
G	0.100 BSC		2.54 BSC	
J	0.008	0.012	0.20	0.30
K	0.125	0.170	3.18	4.32
L	0.300 BSC		7.62 BSC	
M	0°	15°	0°	15°
N	0.020	0.040	0.51	1.02

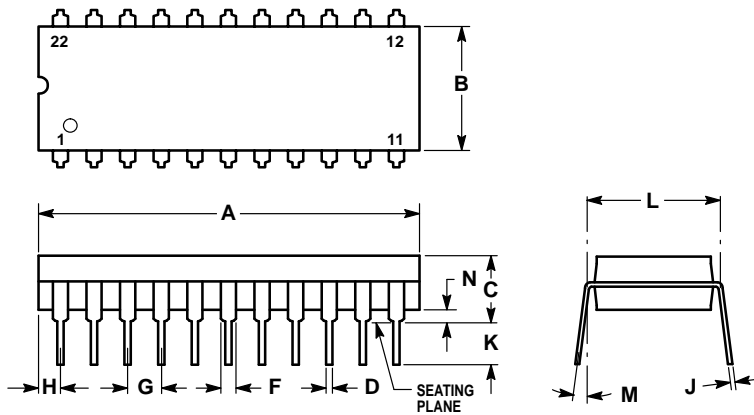
L SUFFIX  
CERAMIC PACKAGE  
CASE 736-05  
(MC145502)



- NOTES:
1. DIMENSIONING AND TOLERANCING PER ANSI Y14.5M, 1982.
  2. CONTROLLING DIMENSION: INCH.
  3. DIMENSION L TO CENTER OF LEAD WHEN FORMED PARALLEL.
  4. DIMENSION F FOR FULL LEADS. HALF LEADS OPTIONAL AT LEAD POSITIONS 1, 11, 12, AND 22.
  5. DIMENSION F MAY NARROW TO 0.76 (0.030) WHERE THE LEAD ENTERS THE CERAMIC BODY.

DIM	INCHES		MILLIMETERS	
	MIN	MAX	MIN	MAX
A	1.060	1.095	26.93	27.81
B	0.360	0.390	9.15	9.90
C	0.150	0.215	3.81	5.46
D	0.015	0.021	0.39	0.53
F	0.050	0.065	1.27	1.65
G	0.100 BSC		2.54 BSC	
J	0.008	0.015	0.20	0.39
K	0.125	0.170	3.18	4.31
L	0.400 BSC		10.16 BSC	
M	0°	15°	0°	15°
N	0.020	0.050	0.51	1.27

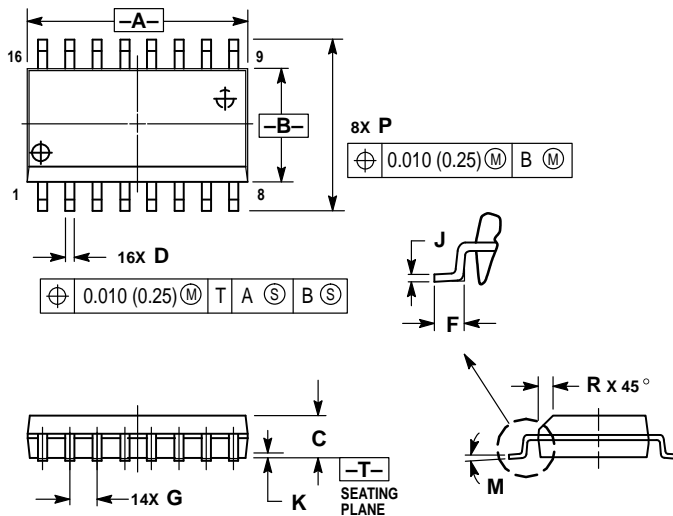
**P SUFFIX  
PLASTIC DIP  
CASE 708-04  
(MC145502)**



- NOTES:
1. POSITIONAL TOLERANCE OF LEADS (D), SHALL BE WITHIN 0.25 (0.010) AT MAXIMUM MATERIAL CONDITION, IN RELATION TO SEATING PLANE AND EACH OTHER.
  2. DIMENSION L TO CENTER OF LEADS WHEN FORMED PARALLEL.
  3. DIMENSION B DOES NOT INCLUDE MOLD FLASH.

DIM	MILLIMETERS		INCHES	
	MIN	MAX	MIN	MAX
A	27.56	28.32	1.085	1.115
B	8.64	9.14	0.340	0.360
C	3.94	5.08	0.155	0.200
D	0.36	0.56	0.014	0.022
F	1.27	1.78	0.050	0.070
G	2.54 BSC		0.100 BSC	
H	1.02	1.52	0.040	0.060
J	0.20	0.38	0.008	0.015
K	2.92	3.43	0.115	0.135
L	10.16 BSC		0.400 BSC	
M	0°	15°	0°	15°
N	0.51	1.02	0.020	0.040

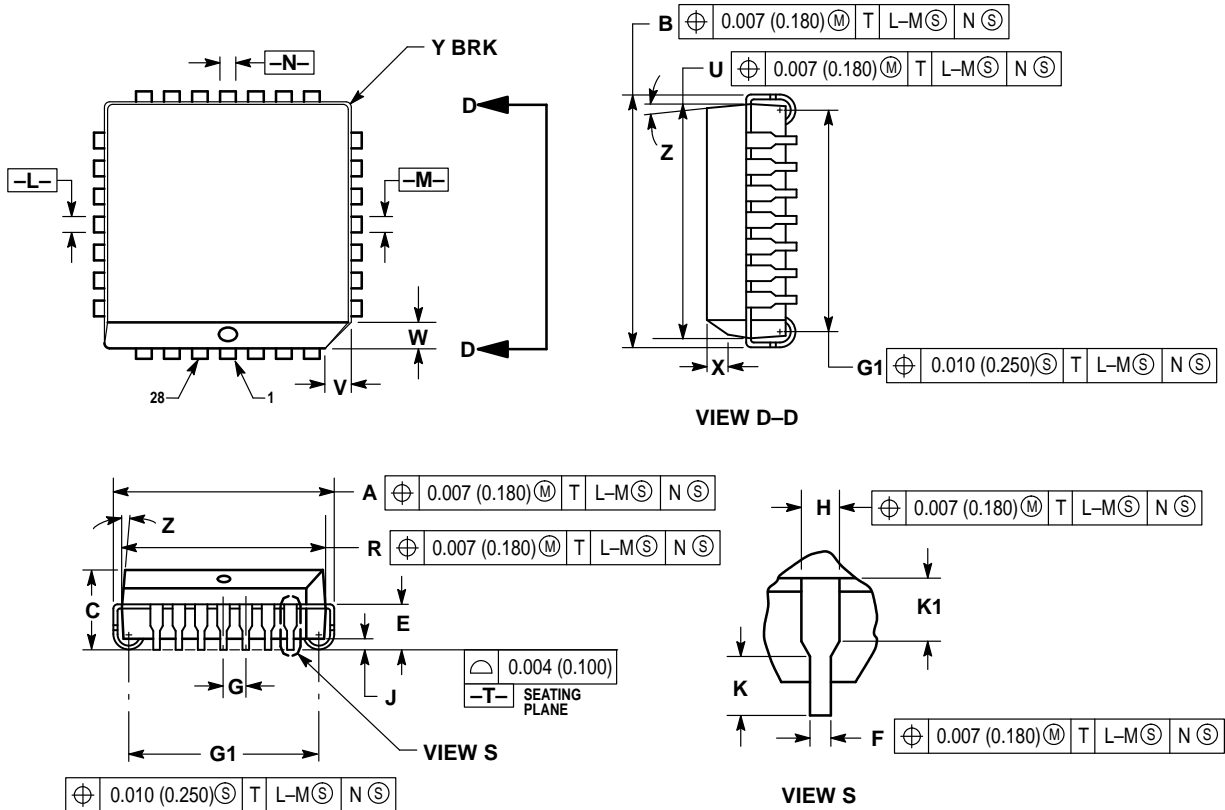
**DW SUFFIX  
SOG PACKAGE  
CASE 751G-02  
(MC145503/05)**



- NOTES:
1. DIMENSIONING AND TOLERANCING PER ANSI Y14.5M, 1982.
  2. CONTROLLING DIMENSION: MILLIMETER.
  3. DIMENSIONS A AND B DO NOT INCLUDE MOLD PROTRUSION.
  4. MAXIMUM MOLD PROTRUSION 0.15 (0.006) PER SIDE.
  5. DIMENSION D DOES NOT INCLUDE DAMBAR PROTRUSION. ALLOWABLE DAMBAR PROTRUSION SHALL BE 0.13 (0.005) TOTAL IN EXCESS OF D DIMENSION AT MAXIMUM MATERIAL CONDITION.

DIM	MILLIMETERS		INCHES	
	MIN	MAX	MIN	MAX
A	10.15	10.45	0.400	0.411
B	7.40	7.60	0.292	0.299
C	2.35	2.65	0.093	0.104
D	0.35	0.49	0.014	0.019
F	0.50	0.90	0.020	0.035
G	1.27 BSC		0.050 BSC	
J	0.25	0.32	0.010	0.012
K	0.10	0.25	0.004	0.009
M	0°	7°	0°	7°
P	10.05	10.55	0.395	0.415
R	0.25	0.75	0.010	0.029


FN SUFFIX  
PLCC PACKAGE  
CASE 776-02  
(MC145502)



NOTES:

- DATUMS -L-, -M-, AND -N- DETERMINED WHERE TOP OF LEAD SHOULDER EXITS PLASTIC BODY AT MOLD PARTING LINE.
- DIMENSION G1, TRUE POSITION TO BE MEASURED AT DATUM -T-, SEATING PLANE.
- DIMENSIONS R AND U DO NOT INCLUDE MOLD FLASH. ALLOWABLE MOLD FLASH IS 0.010 (0.250) PER SIDE.
- DIMENSIONING AND TOLERANCING PER ANSI Y14.5M, 1982.
- CONTROLLING DIMENSION: INCH.
- THE PACKAGE TOP MAY BE SMALLER THAN THE PACKAGE BOTTOM BY UP TO 0.012 (0.300). DIMENSIONS R AND U ARE DETERMINED AT THE OUTERMOST EXTREMES OF THE PLASTIC BODY EXCLUSIVE OF MOLD FLASH, TIE BAR BURRS, GATE BURRS AND INTERLEAD FLASH, BUT INCLUDING ANY MISMATCH BETWEEN THE TOP AND BOTTOM OF THE PLASTIC BODY.
- DIMENSION H DOES NOT INCLUDE DAMBAR PROTRUSION OR INTRUSION. THE DAMBAR PROTRUSION(S) SHALL NOT CAUSE THE H DIMENSION TO BE GREATER THAN 0.037 (0.940). THE DAMBAR INTRUSION(S) SHALL NOT CAUSE THE H DIMENSION TO BE SMALLER THAN 0.025 (0.635).

DIM	INCHES		MILLIMETERS	
	MIN	MAX	MIN	MAX
A	0.485	0.495	12.32	12.57
B	0.485	0.495	12.32	12.57
C	0.165	0.180	4.20	4.57
E	0.090	0.110	2.29	2.79
F	0.013	0.019	0.33	0.48
G	0.050 BSC		1.27 BSC	
H	0.026	0.032	0.66	0.81
J	0.020	—	0.51	—
K	0.025	—	0.64	—
R	0.450	0.456	11.43	11.58
U	0.450	0.456	11.43	11.58
V	0.042	0.048	1.07	1.21
W	0.042	0.048	1.07	1.21
X	0.042	0.056	1.07	1.42
Y	—	0.020	—	0.50
Z	2°	10°	2°	10°
G1	0.410	0.430	10.42	10.92
K1	0.040	—	1.02	—

Motorola reserves the right to make changes without further notice to any products herein. Motorola makes no warranty, representation or guarantee regarding the suitability of its products for any particular purpose, nor does Motorola assume any liability arising out of the application or use of any product or circuit, and specifically disclaims any and all liability, including without limitation consequential or incidental damages. "Typical" parameters can and do vary in different applications. All operating parameters, including "Typicals" must be validated for each customer application by customer's technical experts. Motorola does not convey any license under its patent rights nor the rights of others. Motorola products are not designed, intended, or authorized for use as components in systems intended for surgical implant into the body, or other applications intended to support or sustain life, or for any other application in which the failure of the Motorola product could create a situation where personal injury or death may occur. Should Buyer purchase or use Motorola products for any such unintended or unauthorized application, Buyer shall indemnify and hold Motorola and its officers, employees, subsidiaries, affiliates, and distributors harmless against all claims, costs, damages, and expenses, and reasonable attorney fees arising out of, directly or indirectly, any claim of personal injury or death associated with such unintended or unauthorized use, even if such claim alleges that Motorola was negligent regarding the design or manufacture of the part. Motorola and  are registered trademarks of Motorola, Inc. Motorola, Inc. is an Equal Opportunity/Affirmative Action Employer.

**How to reach us:**

**USA/EUROPE:** Motorola Literature Distribution;  
P.O. Box 20912; Phoenix, Arizona 85036. 1-800-441-2447

**JAPAN:** Nippon Motorola Ltd.; Tatsumi-SPD-JLDC, Toshikatsu Otsuki,  
6F Seibu-Butsuryu-Center, 3-14-2 Tatsumi Koto-Ku, Tokyo 135, Japan. 03-3521-8315

**MFAX:** RMFAX0@email.sps.mot.com – TOUCHTONE (602) 244-6609  
**INTERNET:** <http://Design-NET.com>

**HONG KONG:** Motorola Semiconductors H.K. Ltd.; 8B Tai Ping Industrial Park,  
51 Ting Kok Road, Tai Po, N.T., Hong Kong. 852-26629298



MC145500/D

