



DB-55015-490

RF power amplifier using 1 x PD55015-E N-channel enhancement-mode lateral MOSFETs

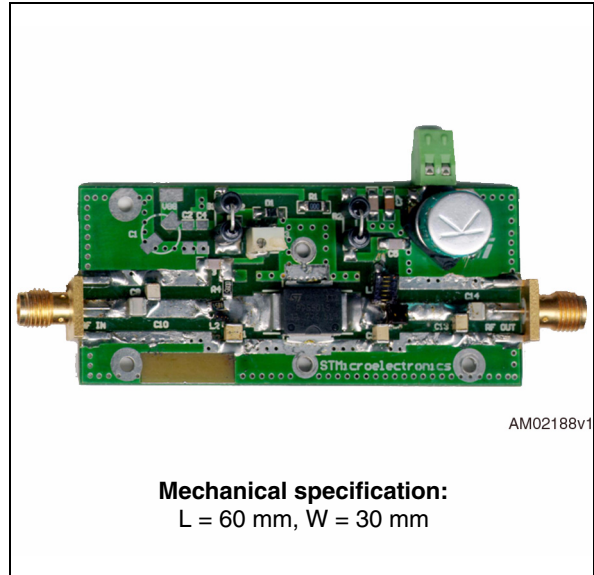
Preliminary Data

Features

- Excellent thermal stability
- Frequency: 420 - 490 MHz
- Supply voltage: 13.2 V
- Output power: 15 W
- Power gain: 13.5 ± 0.7 dB
- Efficiency: 51 % - 62 %
- Load mismatch: 20:1
- Beo free amplifier

Description

The DB-55015-490 is a common source N-channel enhancement-mode lateral field effect RF power amplifier designed for UHF mobile radio applications.



Mechanical specification:
L = 60 mm, W = 30 mm

Table 1. Device summary

Order codes
DB-55015-490

Contents

www.datasheet4u.com

1	Electrical data	3
1.1	Maximum ratings	3
2	Electrical characteristics	3
3	Impedance	4
4	Typical performance	5
5	Test circuit	7
6	Mounting indications	9
7	Package mechanical data	10
8	Revision history	13



1 Electrical data

1.1 Maximum ratings

www.datasheet4u.com

Table 2. Absolute maximum ratings

Symbol	Parameter	Value	Unit
V_{DD}	Supply voltage	24	V
I_D	Drain current	3	A
P_{DISS}	Power dissipation	25	W
T_{CASE}	Operating case temperature	-20 to +85	°C
T_A	Max. ambient temperature	55	°C

2 Electrical characteristics

$T_A = +25\text{ °C}$, $V_{DD} = 13.2\text{ V}$, $I_{DQ} = 150\text{ mA}$

Table 3. Electrical specification

Symbol	Test conditions	Min.	Typ.	Max.	Unit
Freq	Frequency range	420		490	MHz
P_{OUT}		14	18		W
Gain	@ $P_{IN} = 29\text{ dBm}$		13.5 ± 0.7		dB
ND	@ $P_{IN} = 29\text{ dBm}$		51 - 62		%
H2	2 ND Harmonic @ $P_{IN} = 27\text{ dBm}$		-40	-35	dBc
H3	3 RD Harmonic @ $P_{IN} = 27\text{ dBm}$		-60	-55	dBc
VSWR	Load mismatch all phases @ $P_{IN} = 27\text{ dBm}$			20:1	

3 Impedance

www.datasheet4u.com

Figure 1. Impedance graphic

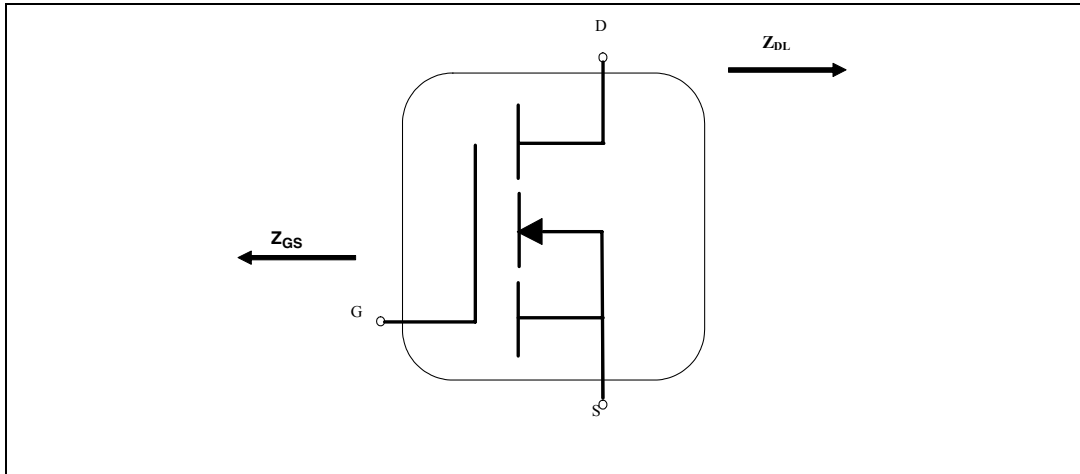


Table 4. Impedance data

f(MHz)	$Z_{GS} (\Omega)$	$Z_{DL} (\Omega)$
400	$1.8 + j0,31$	$1.9 + j0,11$
410	$1.9 + j0,52$	$1.9 + j0,4$
420	$1.8 + j0,80$	$1.8 + j0,67$
430	$1.8 + j1,06$	$1.8 + j0,92$
440	$1.8 + j1,28$	$1.8 + j1.17$
450	$1.8 + j1,50$	$1.8 + j1.37$
460	$1.7 + j1,70$	$1.6 + j1.59$
470	$1.7 + j1.90$	$1.5 + j1.78$
480	$1.6 + j2,05$	$1.4 + j1,96$
490	$1.6 + j2,20$	$1.3 + j2,18$
500	$1.4 + j2,40$	$1.1 + j2,42$

4 Typical performance

Figure 2. Gain vs output power
 V_{dd} = 13.2 V, I_{dq} = 150 mA

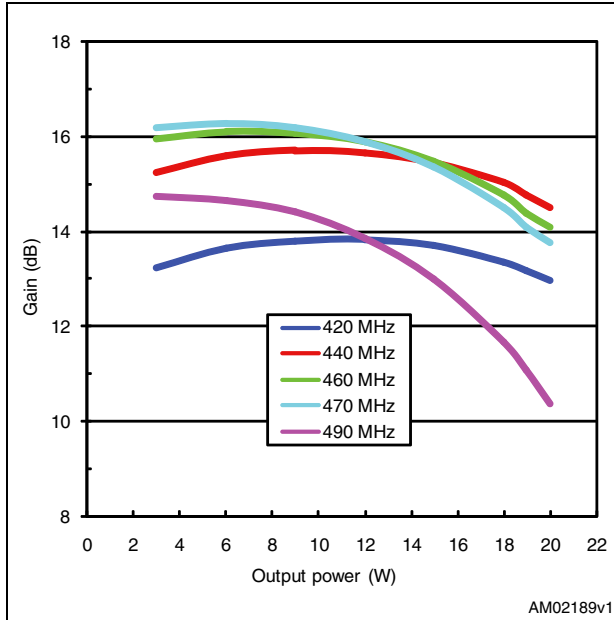


Figure 3. Efficiency vs output power
 power_V_{dd} = 13.2 V, I_{dq} = 150 mA

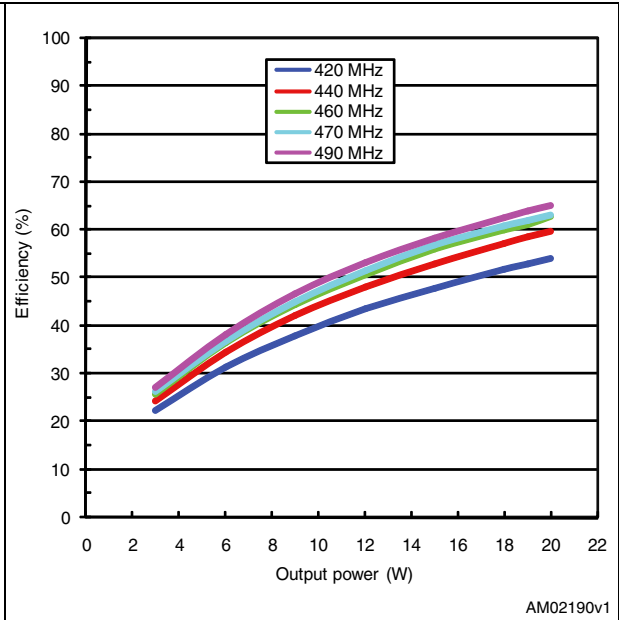


Figure 4. Output power and efficiency vs frequency
 V_{dd} = 13.2 V, I_{dq} = 150 mA, P_{in} = 29 dBm

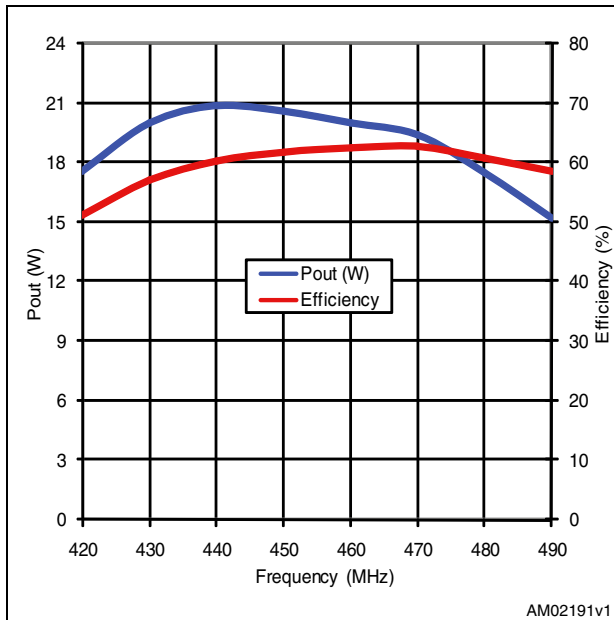


Figure 5. Gain vs frequency
 V_{dd} = 13.2 V, I_{dq} = 150 mA, P_{in} = 29 dBm

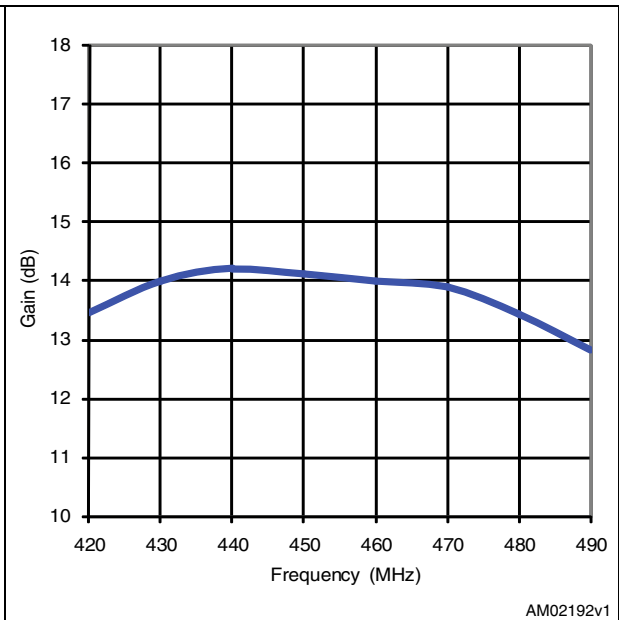
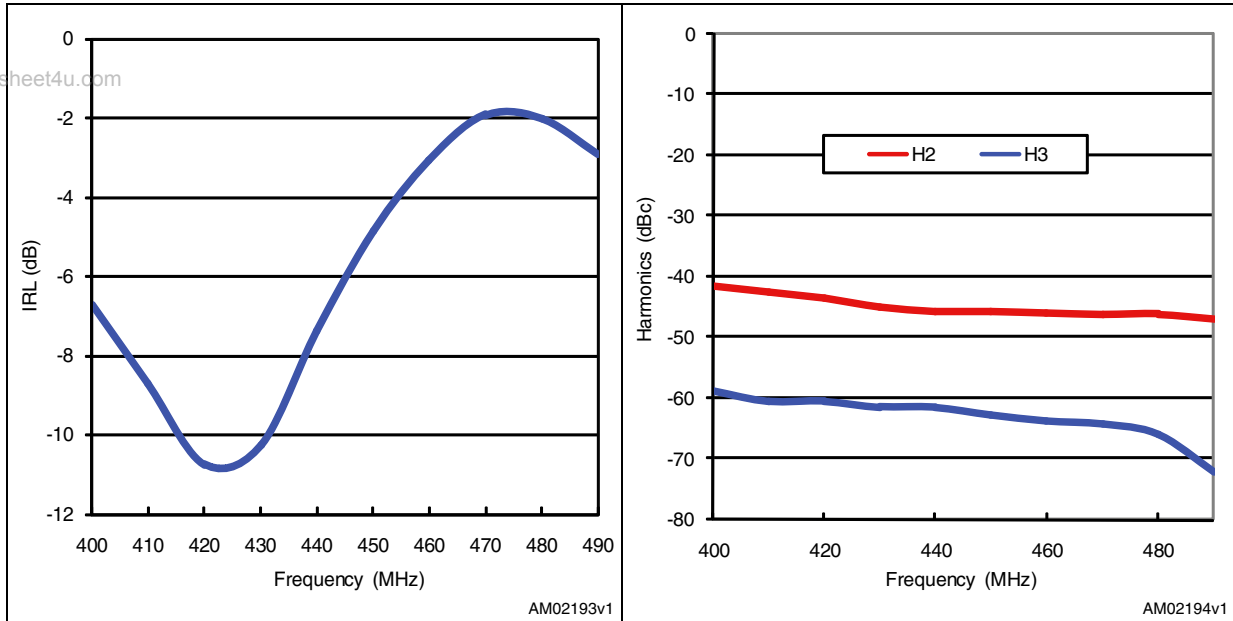


Figure 6. Input return loss vs frequency_Vdd = 13.2 V, Idq = 150 mA, Pin = 29dBm

Figure 7. Harmonics vs frequency_Vdd = 13.2 V, Idq = 150 mA, Pin = 27 dBm



www.datasheet4u.com

5 Test circuit

Table 5. Test circuit schematic

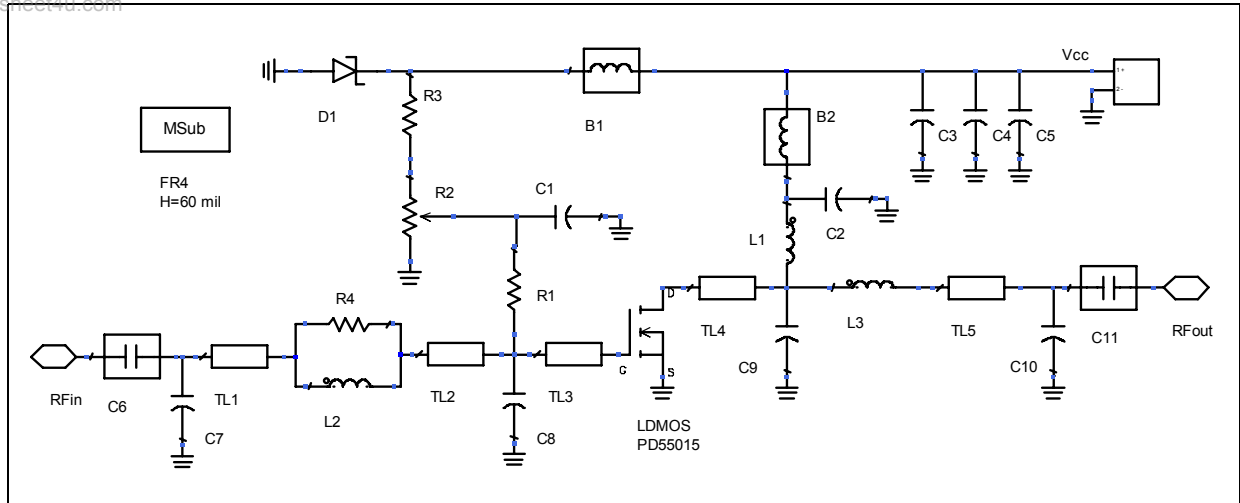


Table 6. Components part list

Component ID	Description	Value	Case size	Manufacturer	Part code
B1, B2	Ferrite Bead			PANASONIC	EXCELDRC35C
D1	Zener Diode	5.1 V	SOD110	PHILIPS	BZX284C5V1
L1	Inductor	39 nH	Midi	COILCRAFT	1812SMS-39N
L2	Inductor	2.55 nH	Micro	COILCRAFT	0906-3
L3	Inductor	5 nH	Mini	COILCRAFT	A02T
R1	Resistor	560 Ω	0603	Tyco electronics	
R2	Potentiometer	10 k Ω		Bourns electronics	3214W-1-103E
R3	Resistor	1 k Ω		Tyco electronics	
R4	Resistor	15 Ω	0603	Tyco electronics	
C1, C2	Capacitor	120 pF	1206	Murata	GRM42-6C0G121
C3	Capacitor	1 nF	1206	Murata	GRM188R71H102K
C4	Capacitor	10 nF	1206	Murata	GRM188R71H103K
C5	Electrolytic Capacitor	220 μ F-35 V		Rubycon	N0037
C6, C11	Capacitor	470 pF	1206	Murata	MA69471JBB
C7	Capacitor	15 pF	100B	ATC	150
C8, C9	Capacitor	47 pF	100B	ATC	470
C10	Capacitor	11 pF	100B	ATC	110
TL1	Transmission line		W = 2.83 mm, L = 10.23 mm		

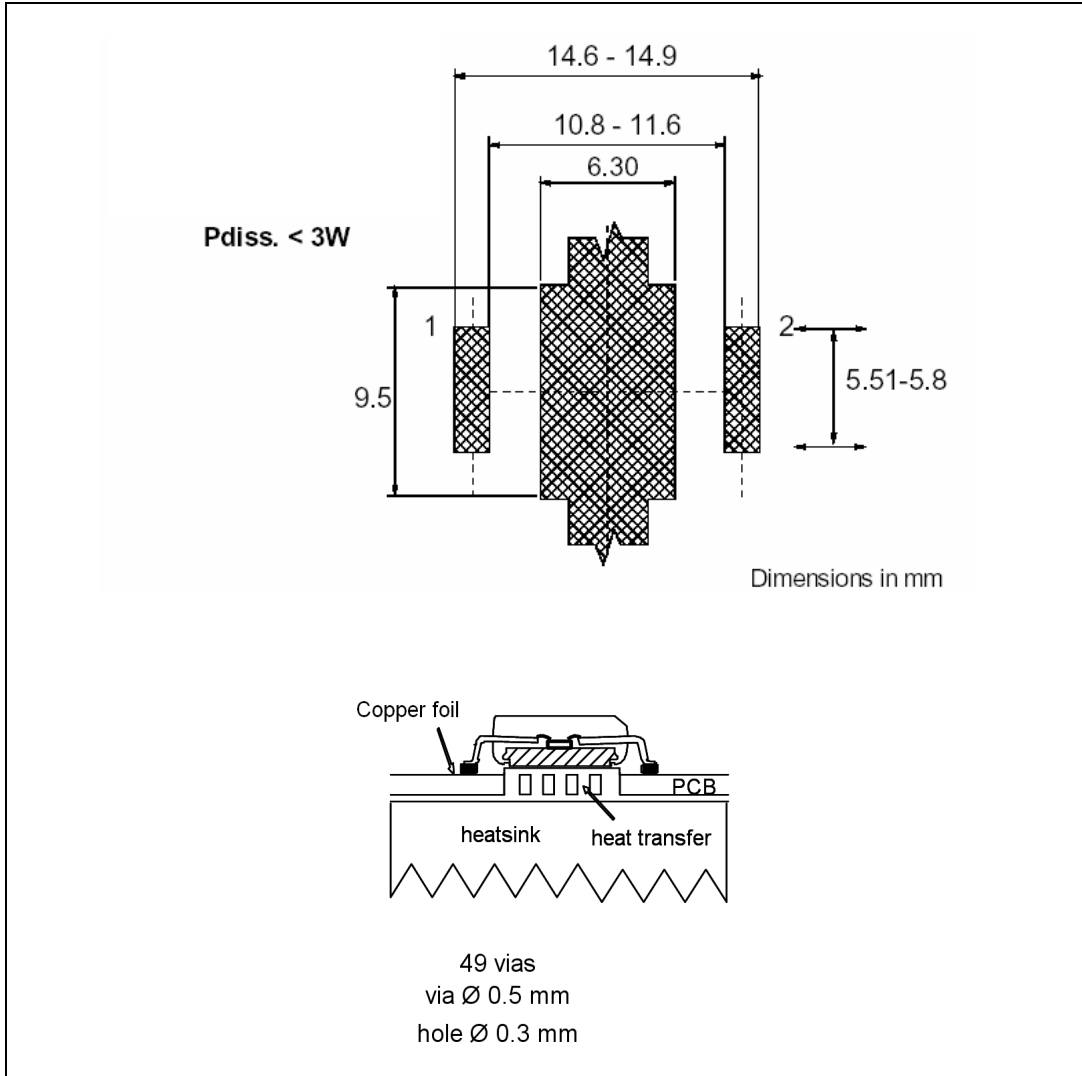
Table 6. Components part list (continued)

Component ID	Description	Value	Case size	Manufacturer	Part code
TL2			W = 4.9 mm, L = 1 mm		
TL3			W = 4.9 mm, L = 2.48 mm		
TL4			W = 4.9 mm, L = 2.6 mm		
TL5			W = 2.83 mm, L = 9.6 mm		
RF in, RF out	SMA-CONN		60 mils	JOHNSON	142-0701-801
PD55015-E	LDMOS			STMicroelectronics	PD55015-E
Board	FR-4 THk=0.060" 2OZ Cu both sides				

6 Mounting indications

www.datasheet4u.com

Figure 8. PowerSO-10 mounting indications



7 Package mechanical data

www.datasheet4u.com

In order to meet environmental requirements, ST offers these devices in different grades of ECOPACK® packages, depending on their level of environmental compliance. ECOPACK® specifications, grade definitions and product status are available at: www.st.com. ECOPACK is an ST trademark.

Table 7. PowerSO-10RF formed lead (gull wing) mechanical data

Dim.	mm.			Inch		
	Min.	Typ.	Max.	Min.	Typ.	Max.
A1	0	0.05	0.1	0.	0.0019	0.0038
A2	3.4	3.5	3.6	0.134	0.137	0.142
A3	1.2	1.3	1.4	0.046	0.05	0.054
A4	0.15	0.2	0.25	0.005	0.007	0.009
a		0.2			0.007	
b	5.4	5.53	5.65	0.212	0.217	0.221
c	0.23	0.27	0.32	0.008	0.01	0.012
D	9.4	9.5	9.6	0.370	0.374	0.377
D1	7.4	7.5	7.6	0.290	0.295	0.298
E	13.85	14.1	14.35	0.544	0.555	0.565
E1	9.3	9.4	9.5	0.365	0.37	0.375
E2	7.3	7.4	7.5	0.286	0.292	0.294
E3	5.9	6.1	6.3	0.231	0.24	0.247
F		0.5			0.019	
G		1.2			0.047	
L	0.8	1	1.1	0.030	0.039	0.042
R1			0.25			0.01
R2		0.8			0.031	
T	2 deg	5 deg	8 deg	2 deg	5 deg	8 deg
T1		6 deg			6 deg	
T2		10 deg			10 deg	

www.datasheet4u.com

Note: Resin protrusions not included (max value: 0.15 mm per side)

Figure 9. Package dimensions

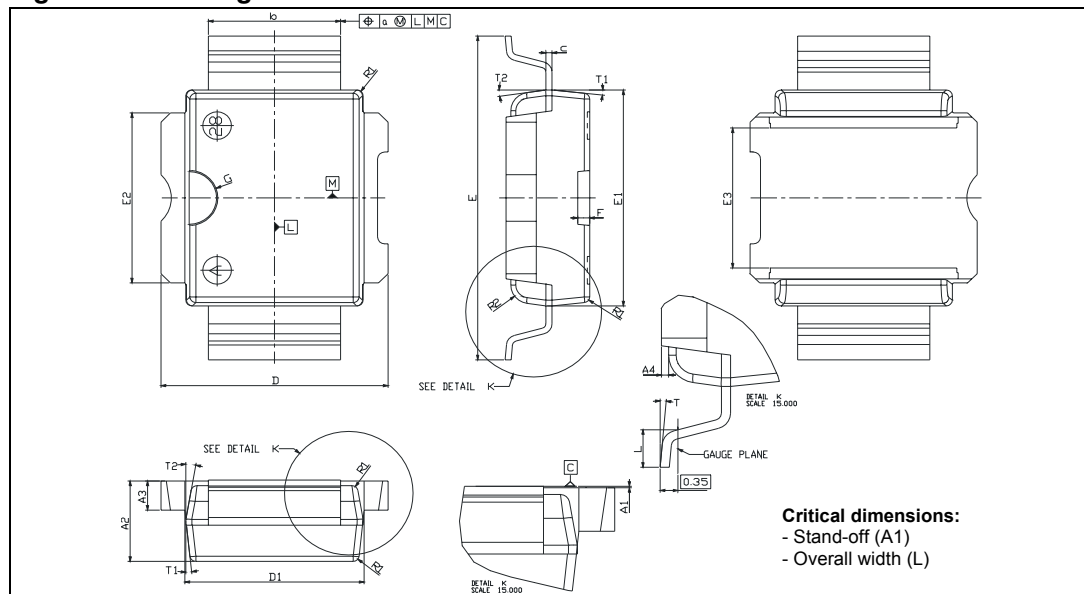
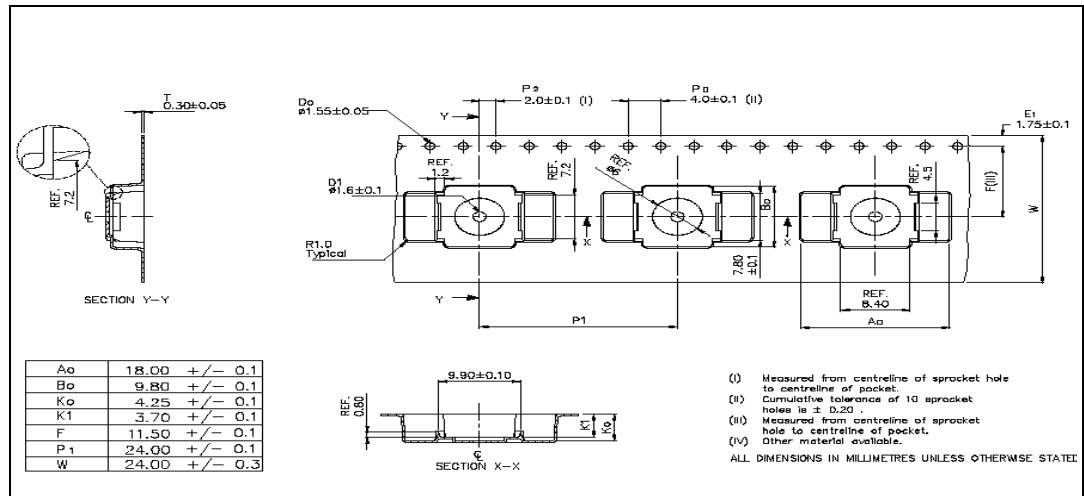


Figure 10. PowerSO-10RF tape and reel

www.datasheet4u.com



8 Revision history

www.datasheet4u.com

Table 8. Document revision history

Date	Revision	Changes
18-Mar-2009	1	Initial release.

Please Read Carefully:

Information in this document is provided solely in connection with ST products. STMicroelectronics NV and its subsidiaries ("ST") reserve the right to make changes, corrections, modifications or improvements, to this document, and the products and services described herein at any time, without notice.

All ST products are sold pursuant to ST's terms and conditions of sale.

Purchasers are solely responsible for the choice, selection and use of the ST products and services described herein, and ST assumes no liability whatsoever relating to the choice, selection or use of the ST products and services described herein.

No license, express or implied, by estoppel or otherwise, to any intellectual property rights is granted under this document. If any part of this document refers to any third party products or services it shall not be deemed a license grant by ST for the use of such third party products or services, or any intellectual property contained therein or considered as a warranty covering the use in any manner whatsoever of such third party products or services or any intellectual property contained therein.

UNLESS OTHERWISE SET FORTH IN ST'S TERMS AND CONDITIONS OF SALE ST DISCLAIMS ANY EXPRESS OR IMPLIED WARRANTY WITH RESPECT TO THE USE AND/OR SALE OF ST PRODUCTS INCLUDING WITHOUT LIMITATION IMPLIED WARRANTIES OF MERCHANTABILITY, FITNESS FOR A PARTICULAR PURPOSE (AND THEIR EQUIVALENTS UNDER THE LAWS OF ANY JURISDICTION), OR INFRINGEMENT OF ANY PATENT, COPYRIGHT OR OTHER INTELLECTUAL PROPERTY RIGHT.

UNLESS EXPRESSLY APPROVED IN WRITING BY AN AUTHORIZED ST REPRESENTATIVE, ST PRODUCTS ARE NOT RECOMMENDED, AUTHORIZED OR WARRANTED FOR USE IN MILITARY, AIR CRAFT, SPACE, LIFE SAVING, OR LIFE SUSTAINING APPLICATIONS, NOR IN PRODUCTS OR SYSTEMS WHERE FAILURE OR MALFUNCTION MAY RESULT IN PERSONAL INJURY, DEATH, OR SEVERE PROPERTY OR ENVIRONMENTAL DAMAGE. ST PRODUCTS WHICH ARE NOT SPECIFIED AS "AUTOMOTIVE GRADE" MAY ONLY BE USED IN AUTOMOTIVE APPLICATIONS AT USER'S OWN RISK.

Resale of ST products with provisions different from the statements and/or technical features set forth in this document shall immediately void any warranty granted by ST for the ST product or service described herein and shall not create or extend in any manner whatsoever, any liability of ST.

ST and the ST logo are trademarks or registered trademarks of ST in various countries.

Information in this document supersedes and replaces all information previously supplied.

The ST logo is a registered trademark of STMicroelectronics. All other names are the property of their respective owners.

© 2009 STMicroelectronics - All rights reserved

STMicroelectronics group of companies

Australia - Belgium - Brazil - Canada - China - Czech Republic - Finland - France - Germany - Hong Kong - India - Israel - Italy - Japan - Malaysia - Malta - Morocco - Singapore - Spain - Sweden - Switzerland - United Kingdom - United States of America

www.st.com