



## DB-499D-470

RF power amplifier using 1 x START499D  
NPN RF silicon transistor

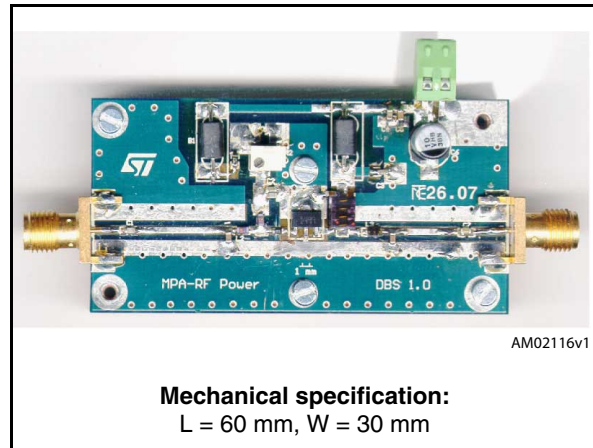
Preliminary Data

### Features

- Excellent thermal stability
- Frequency: 430 - 470 MHz
- Supply voltage: 3.6 V
- Output power: 29 dBm
- Power gain: 19 dB
- Efficiency: 52 %
- BeO free amplifier

### Description

The DB-499D-470 is a NPN silicon RF power amplifier designed for UHF 2-way radio applications



**Mechanical specification:**  
L = 60 mm, W = 30 mm

**Table 1. Device summary**

Order codes
DB-499D-470

## Contents

<b>1</b>	<b>Electrical data</b> .....	<b>3</b>
	1.1 Maximum ratings .....	3
<b>2</b>	<b>Electrical characteristics</b> .....	<b>3</b>
<b>3</b>	<b>Typical performance</b> .....	<b>4</b>
	3.1 VCC = 3.6, ICQ = 400 mA .....	4
<b>4</b>	<b>Test circuit</b> .....	<b>5</b>
<b>5</b>	<b>Package mechanical data</b> .....	<b>6</b>
	5.1 Thermal pad and via design .....	7
	5.2 Soldering profile .....	8
<b>6</b>	<b>Revision history</b> .....	<b>10</b>

# 1 Electrical data

## 1.1 Maximum ratings

**Table 2. Absolute maximum ratings ( $T_{CASE} = +25\text{ °C}$ )**

Symbol	Parameter	Value	Unit
$V_{CEO}$	Collector - emitter voltage	4.5	V
$V_{EBO}$	Emitter - base voltage	1.5	V
$I_C$	Collector - current	1.0	A
$P_{DISS}$	Power dissipation	1.7	W
$T_J$	Max. operating junction temperature	150	°C
$T_{STG}$	Storage temperature	-65 to +150	°C

## 2 Electrical characteristics

$T_A = +25\text{ °C}$ ,  $V_{CC} = 3.6\text{ V}$ ,  $I_{CQ} = 400\text{ mA}$ , unless otherwise specified

**Table 3. RF data**

Symbol	Parameters	Test conditions	Min	Typ	Max	Unit
f	Frequency range		430		470	MHz
$P_{out}$	Output power	$P_{IN} = 10\text{ dBm}$		29		dBm
$G_p$	Power gain	$P_{OUT} = 29\text{ dBm}$		19		dB
$N_D$	Efficiency	$P_{OUT} = 29\text{ dBm}$		51 - 54		%
H2	2nd harmonic	$P_{IN} = 10\text{ dBm}$		-30		dBc
H3	3rd harmonic	$P_{IN} = 10\text{ dBm}$		-50		dBc

Typical performance

### 3 Typical performance

#### 3.1 $V_{CC} = 3.6, I_{CQ} = 400 \text{ mA}$

Figure 1. Gain vs output power

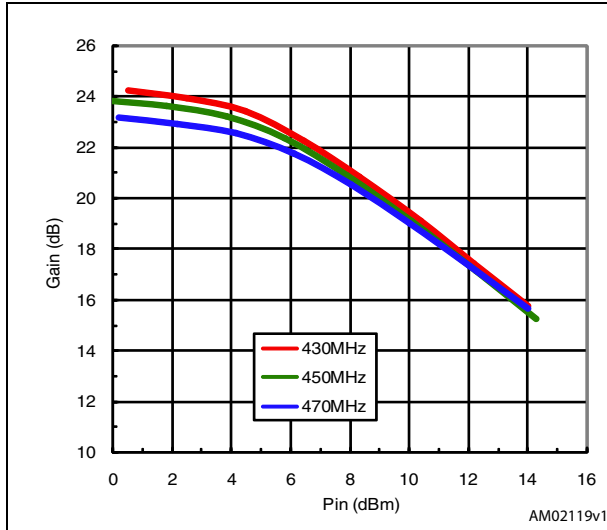


Figure 2. Efficiency vs Pout

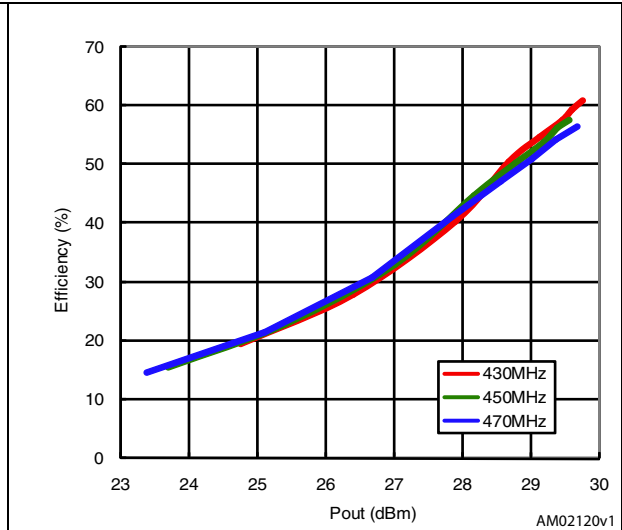
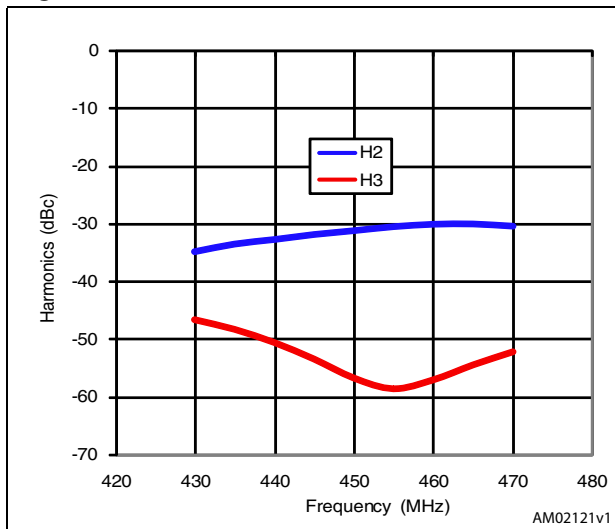


Figure 3. Harmonics



## 4 Test circuit

Table 4. Test circuit schematic

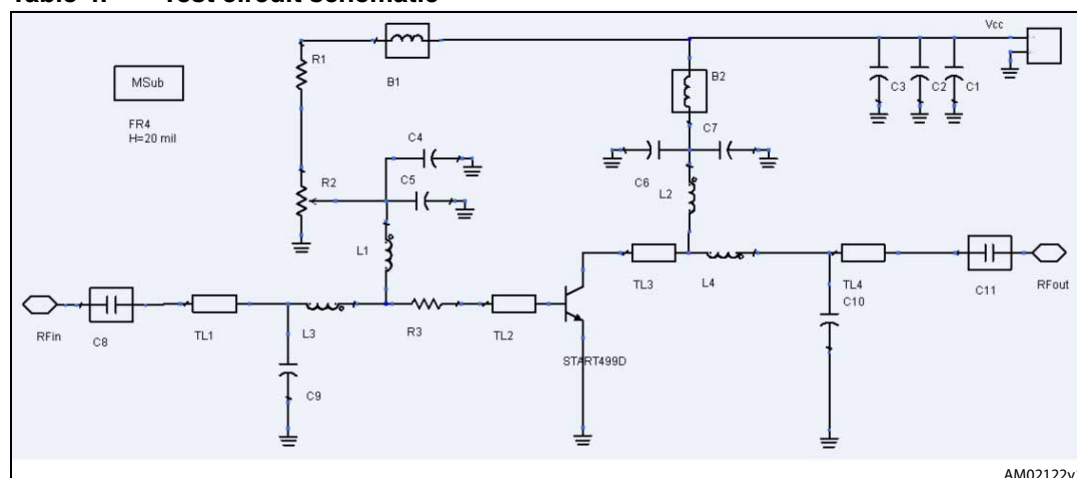


Table 5. Components part list for DB-499D-470

Component ID	Description	Value	Case size	Manufacturer	Part code
C1	Capacitor	10 $\mu$ F	0603	MURATA	GRM188R60J106ME47
C2	Capacitor	10 nF	0603	MURATA	GRM188R71H103KA01
C3	Capacitor	100 nF	0603	MURATA	GRM188R71H104KA01
C5, C7	Capacitor	1000 pF	0603	MURATA	GRM188R71H102KA01
C4, C6, C8, C11	Capacitor	100 pF	0603	MURATA	GRM1885C1H101JA01
C9	Capacitor	12 pF	0603	MURATA	GRM1885C1H120JA01
C10	Capacitor	15 pF	0603	MURATA	GRM1885C1H150JA01
L1	Inductor	47 nH	0603	Coilcraft	0603HP-47NXJL
L2	Inductor	22 nH	1812	Coilcraft	1812SMS-22NJLB
L3	Inductor	8.2 nH	0603	Coilcraft	0603HP-8N2XJL
L4	Inductor	2.55 nH	0906	Coilcraft	0906-3JLB
B1, B2	Ferrite Bead		0603	PANASONIC	EXCELDRC35C
R1	Resister	470 $\Omega$	0603		
R2	Potentiometer	10 k $\Omega$		Bourns electronics	3214W-1-103E
R3	Resister	4.7 $\Omega$	0603		
TL1	Transmission line	L = 14 mm	W=0.9 mm		
TL2		L = 2 mm	W=0.9 mm		
TL3		L = 3.6 mm	W=0.9 mm		
TL4		L = 12.5 mm	W=0.9 mm		
BJT1	BJT			STMicroelectronics	START499D
Board	FR4 Er=4.5 THk = 0.020" 1 OZ Cu both sides				

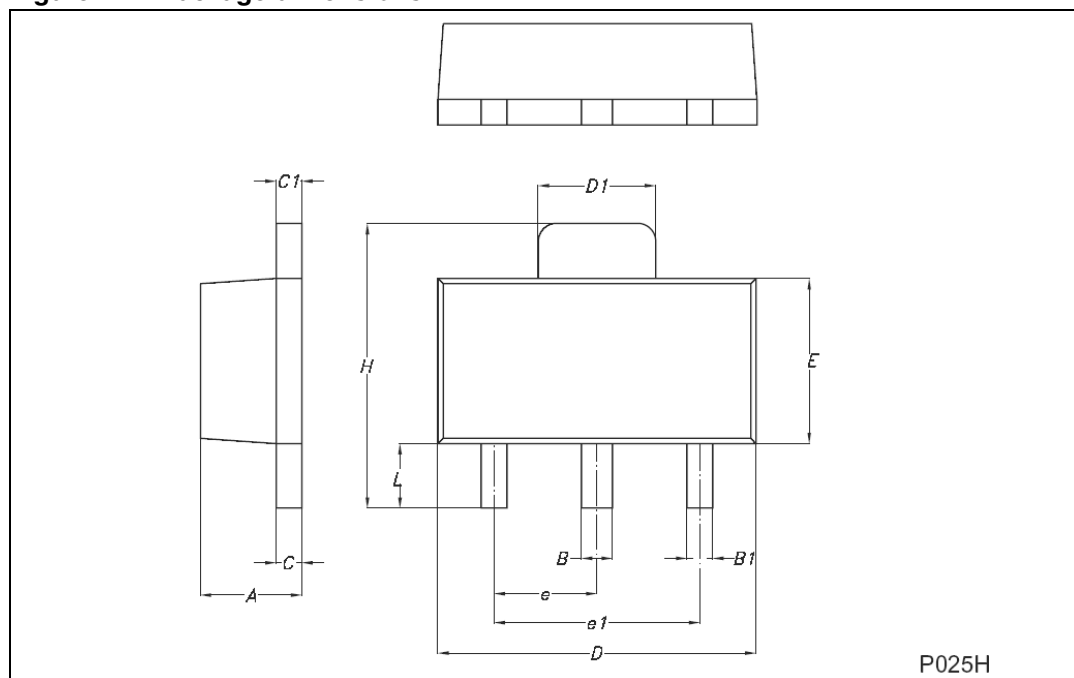
## 5 Package mechanical data

In order to meet environmental requirements, ST offers these devices in different grades of ECOPACK® packages, depending on their level of environmental compliance. ECOPACK® specifications, grade definitions and product status are available at: [www.st.com](http://www.st.com). ECOPACK® is an ST trademark.

**Table 6. SOT-89 mechanical data**

Dim.	mm.			Inch		
	Min	Typ	Max	Min	Typ	Max
A	1.4		1.6	55.1		63.0
B	0.44		0.56	17.3		22.0
B1	0.36		0.48	14.2		18.9
C	0.35		0.44	13.8		17.3
C1	0.35		0.44	13.8		17.3
D	4.4		4.6	173.2		181.1
D1	1.62		1.83	63.8		72.0
E	2.29		2.6	90.2		102.4
e	1.42		1.57	55.9		61.8
e1	2.92		3.07	115.0		120.9
H	3.94		4.25	155.1		167.3
L	0.89		1.2	35.0		47.2

**Figure 4. Package dimensions**

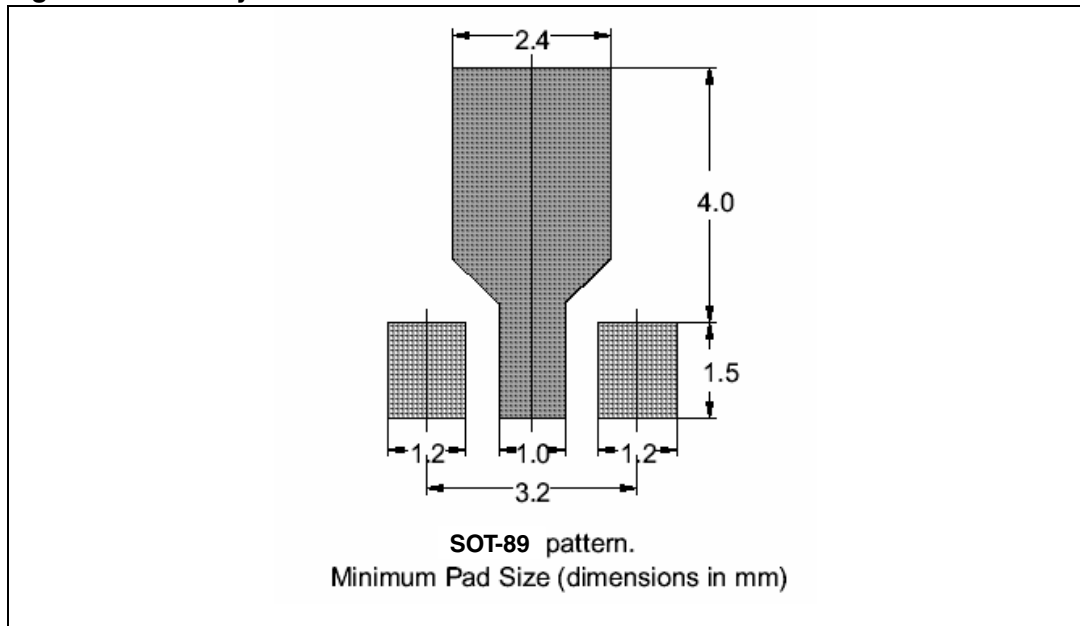


## 5.1 Thermal pad and via design

Thermal vias are required in the PCB layout to effectively conduct heat away from the package. The via pattern has been designed to address thermal, power dissipation and electrical requirements of the device.

The via pattern is based on thru-hole vias with 0.203 mm to 0.330 mm finished hole size on a 0.5 mm to 1.2 mm grid pattern with 0.025 plating on via walls. If micro vias are used in a design, it is suggested that the quantity of vias be increased by a 4:1 ratio to achieve similar results.

**Figure 5. Pad layout details**



## 5.2 Soldering profile

Figure 6 shows the recommended solder for devices that have Pb-free terminal plating and where a Pb-free solder is used.

Figure 6. Recommended solder profile

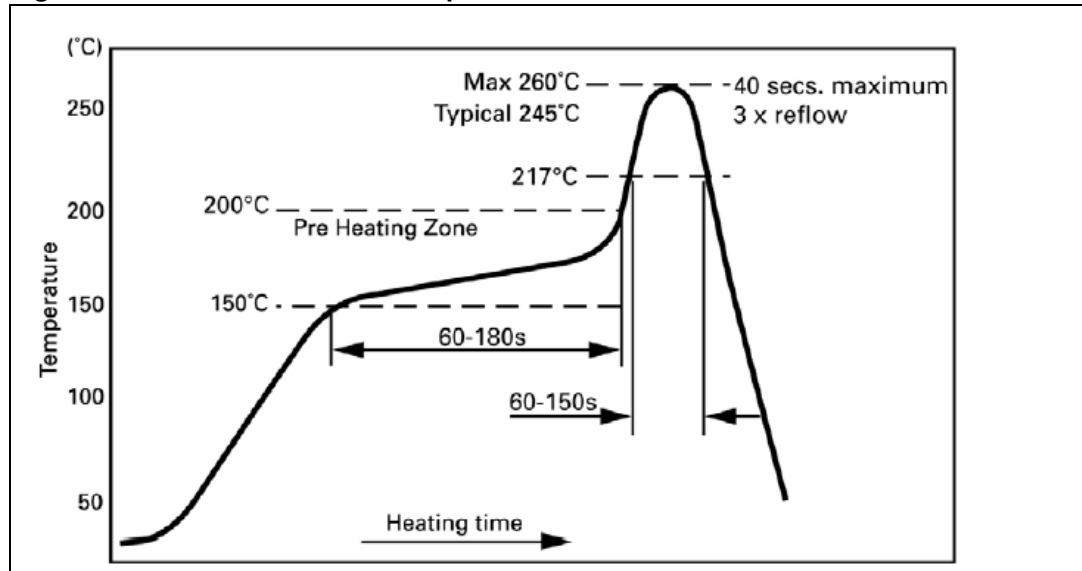


Figure 7 shows the recommended solder for devices with Pb-free terminal plating used with leaded solder, or for devices with leaded terminal plating used with a leaded solder.

Figure 7. Recommended solder profile for leaded devices

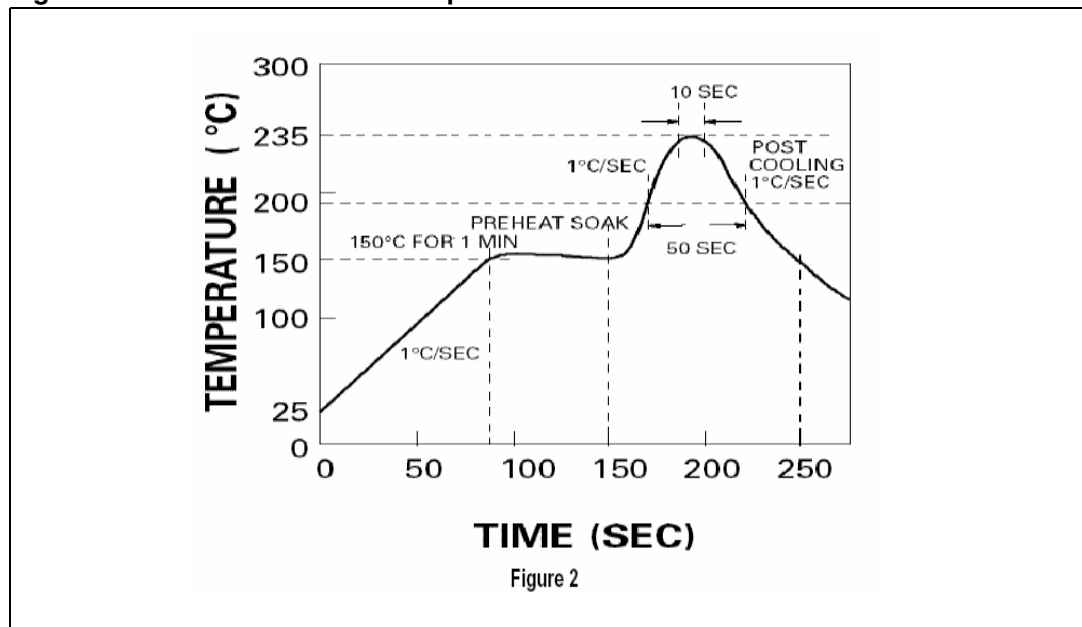
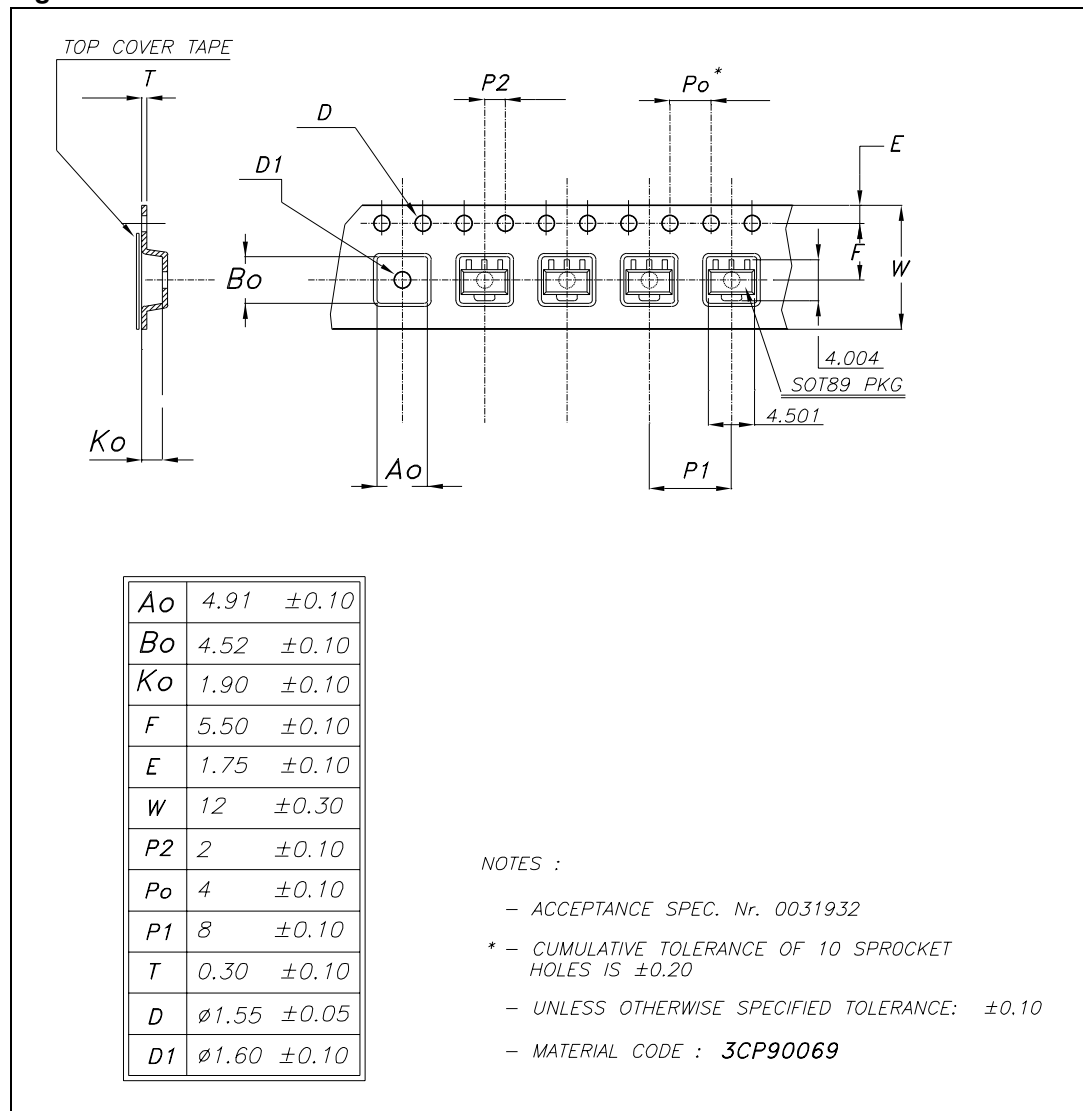


Figure 2



Figure 8. Reel information



## 6 Revision history

**Table 7. Document revision history**

Date	Revision	Changes
23-Feb-2009	1	First release

**Please Read Carefully:**

Information in this document is provided solely in connection with ST products. STMicroelectronics NV and its subsidiaries ("ST") reserve the right to make changes, corrections, modifications or improvements, to this document, and the products and services described herein at any time, without notice.

All ST products are sold pursuant to ST's terms and conditions of sale.

Purchasers are solely responsible for the choice, selection and use of the ST products and services described herein, and ST assumes no liability whatsoever relating to the choice, selection or use of the ST products and services described herein.

No license, express or implied, by estoppel or otherwise, to any intellectual property rights is granted under this document. If any part of this document refers to any third party products or services it shall not be deemed a license grant by ST for the use of such third party products or services, or any intellectual property contained therein or considered as a warranty covering the use in any manner whatsoever of such third party products or services or any intellectual property contained therein.

**UNLESS OTHERWISE SET FORTH IN ST'S TERMS AND CONDITIONS OF SALE ST DISCLAIMS ANY EXPRESS OR IMPLIED WARRANTY WITH RESPECT TO THE USE AND/OR SALE OF ST PRODUCTS INCLUDING WITHOUT LIMITATION IMPLIED WARRANTIES OF MERCHANTABILITY, FITNESS FOR A PARTICULAR PURPOSE (AND THEIR EQUIVALENTS UNDER THE LAWS OF ANY JURISDICTION), OR INFRINGEMENT OF ANY PATENT, COPYRIGHT OR OTHER INTELLECTUAL PROPERTY RIGHT.**

**UNLESS EXPRESSLY APPROVED IN WRITING BY AN AUTHORIZED ST REPRESENTATIVE, ST PRODUCTS ARE NOT RECOMMENDED, AUTHORIZED OR WARRANTED FOR USE IN MILITARY, AIR CRAFT, SPACE, LIFE SAVING, OR LIFE SUSTAINING APPLICATIONS, NOR IN PRODUCTS OR SYSTEMS WHERE FAILURE OR MALFUNCTION MAY RESULT IN PERSONAL INJURY, DEATH, OR SEVERE PROPERTY OR ENVIRONMENTAL DAMAGE. ST PRODUCTS WHICH ARE NOT SPECIFIED AS "AUTOMOTIVE GRADE" MAY ONLY BE USED IN AUTOMOTIVE APPLICATIONS AT USER'S OWN RISK.**

Resale of ST products with provisions different from the statements and/or technical features set forth in this document shall immediately void any warranty granted by ST for the ST product or service described herein and shall not create or extend in any manner whatsoever, any liability of ST.

ST and the ST logo are trademarks or registered trademarks of ST in various countries.

Information in this document supersedes and replaces all information previously supplied.

The ST logo is a registered trademark of STMicroelectronics. All other names are the property of their respective owners.

© 2009 STMicroelectronics - All rights reserved

STMicroelectronics group of companies

Australia - Belgium - Brazil - Canada - China - Czech Republic - Finland - France - Germany - Hong Kong - India - Israel - Italy - Japan - Malaysia - Malta - Morocco - Singapore - Spain - Sweden - Switzerland - United Kingdom - United States of America

[www.st.com](http://www.st.com)

