

## Futaba Servo S28, S38.

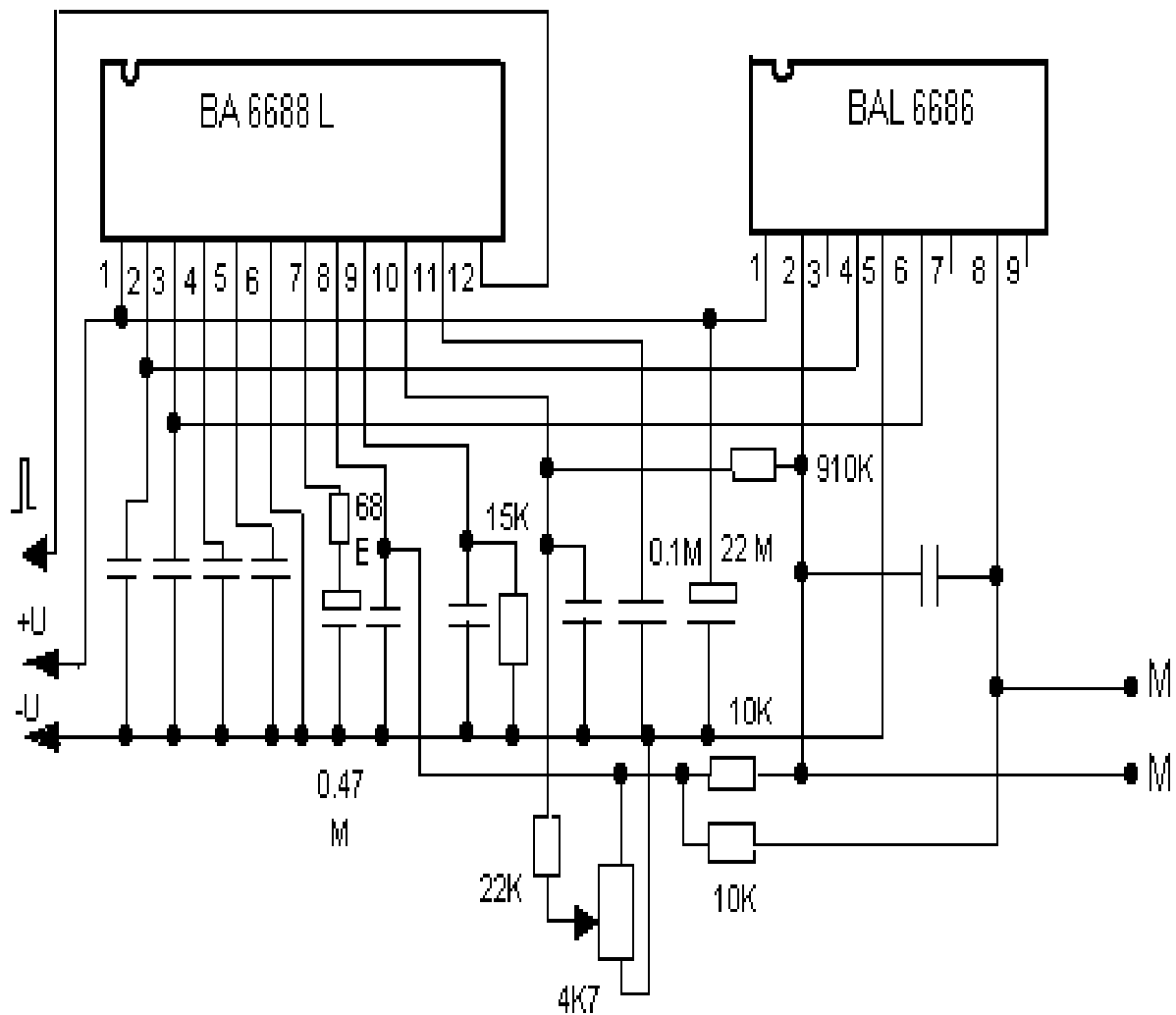


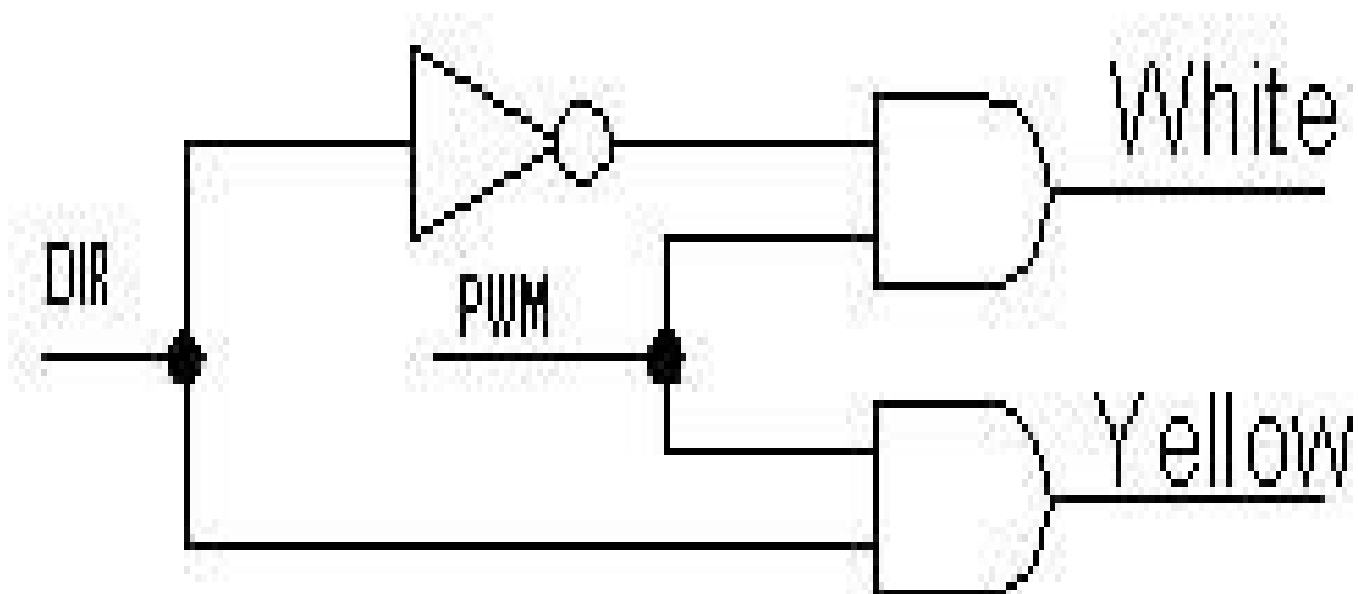
Figure 6. Connections between the two IC's.



Figure 7. Board after wires are connected. Now just reassemble everything and you are done. Just put 5V and Gnd on the red and black wires, then either pull the white wire high to go one direction, or pull the other wire high to go the other direction. Do not pull them both high at the same time.



Figure 8. Completed servo. Here is a simple circuit you can use to drive the wires using 1 PWM signal and 1 Direction signal.



1.