

CMSH3-20M CMSH3-60M
 CMSH3-40M CMSH3-100M

**SURFACE MOUNT
 SILICON SCHOTTKY RECTIFIER
 3 AMP, 20 THRU 100 VOLTS**



SMB CASE



www.centrasemi.com

DESCRIPTION:

The CENTRAL SEMICONDUCTOR CMSH3-20M Series 3.0 Amp Surface Mount Silicon Schottky Rectifier is a high quality, well constructed, highly reliable component designed for use in all types of commercial, industrial, entertainment, computer, and automotive applications. To order devices on 12mm Tape and Reel (3000/13" Reel), add TR13 suffix to part number.

MARKING CODE: SEE MARKING CODE TABLE ON FOLLOWING PAGE

FEATURES:

- High current capability
- Flammability classification UL94V-0
- Superior lot to lot consistency
- Low cost
- High reliability
- "C" bend construction provides strain relief when mounted on pc board

MAXIMUM RATINGS: (T_A=25°C unless otherwise noted)

| | SYMBOL | CMSH3 -20M | CMSH3 -40M | CMSH3 -60M | CMSH3 -100M | UNITS |
|--|-----------------------------------|---------------|---------------|---------------|----------------|-------|
| Peak Repetitive Reverse Voltage | V _{RRM} | 20 | 40 | 60 | 100 | V |
| DC Blocking Voltage | V _R | 20 | 40 | 60 | 100 | V |
| RMS Reverse Voltage | V _{R(RMS)} | 14 | 28 | 42 | 71 | V |
| Average Forward Current (T _L =75°C) | I _O | | | 3.0 | | A |
| Peak Forward Surge Current, tp=8.3ms | I _{FSM} | | | 80 | | A |
| Operating and Storage Junction Temperature | T _J , T _{stg} | | | -65 to +150 | | °C |
| Thermal Resistance | θ _{JL} | | | 20 | | °C/W |

ELECTRICAL CHARACTERISTICS: (T_A=25°C unless otherwise noted)

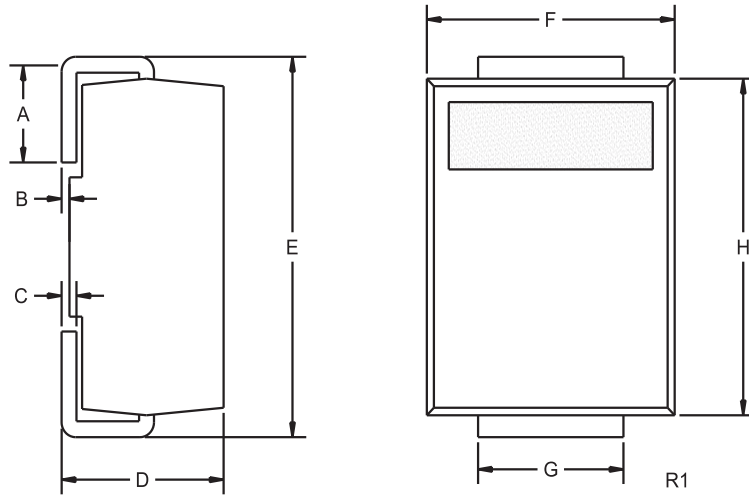
| SYMBOL | TEST CONDITIONS | TYP | MAX | UNITS |
|----------------|--|-----|------|-------|
| I _R | V _R =Rated V _{RRM} | | 500 | μA |
| I _R | V _R =Rated V _{RRM} , T _A =100°C | | 20 | mA |
| V _F | I _F =3.0A (CMSH3-20M, -40M) | | 0.55 | V |
| V _F | I _F =3.0A (CMSH3-60M) | | 0.75 | V |
| V _F | I _F =3.0A (CMSH3-100M) | | 0.85 | V |
| C _J | V _R =4.0V, f=1.0MHz | 280 | | pF |

CMSH3-20M CMSH3-60M
 CMSH3-40M CMSH3-100M



**SURFACE MOUNT
 SILICON SCHOTTKY RECTIFIER
 3 AMP, 20 THRU 100 VOLTS**

SMB CASE - MECHANICAL OUTLINE



| DEVICE | MARKING CODE |
|------------|--------------|
| CMSH3-20M | CS320M |
| CMSH3-40M | CS340M |
| CMSH3-60M | CS360M |
| CMSH3-100M | CS3100M |

| SYMBOL | DIMENSIONS | | | |
|--------|------------|-------|-------------|------|
| | INCHES | | MILLIMETERS | |
| | MIN | MAX | MIN | MAX |
| A | 0.030 | 0.060 | 0.76 | 1.52 |
| B | 0.004 | 0.008 | 0.10 | 0.20 |
| C | 0.006 | 0.012 | 0.15 | 0.30 |
| D | 0.086 | 0.096 | 2.18 | 2.44 |
| E | 0.200 | 0.220 | 5.08 | 5.59 |
| F | 0.130 | 0.150 | 3.30 | 3.81 |
| G | 0.077 | 0.083 | 1.96 | 2.11 |
| H | 0.160 | 0.180 | 4.06 | 4.57 |

SMB (REV: R1)

R3 (8-February 2010)