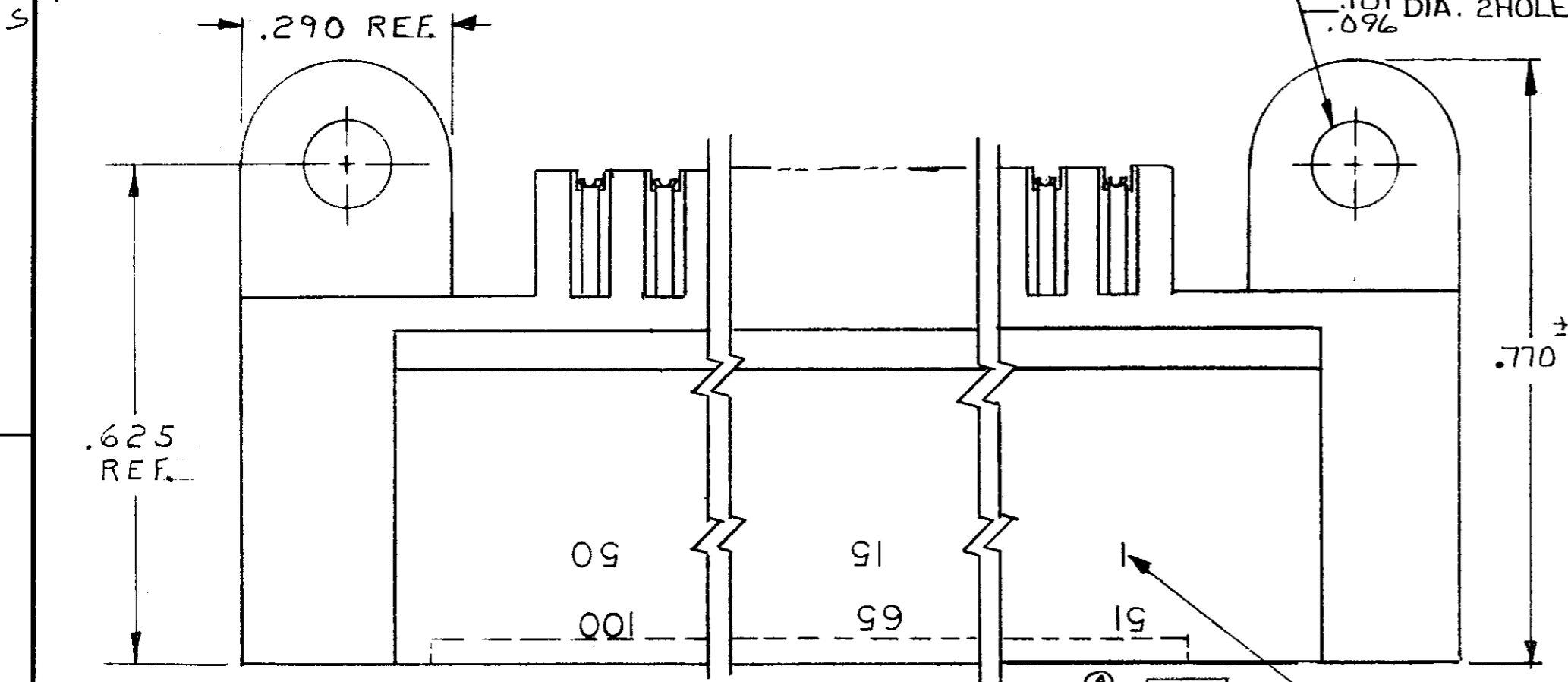


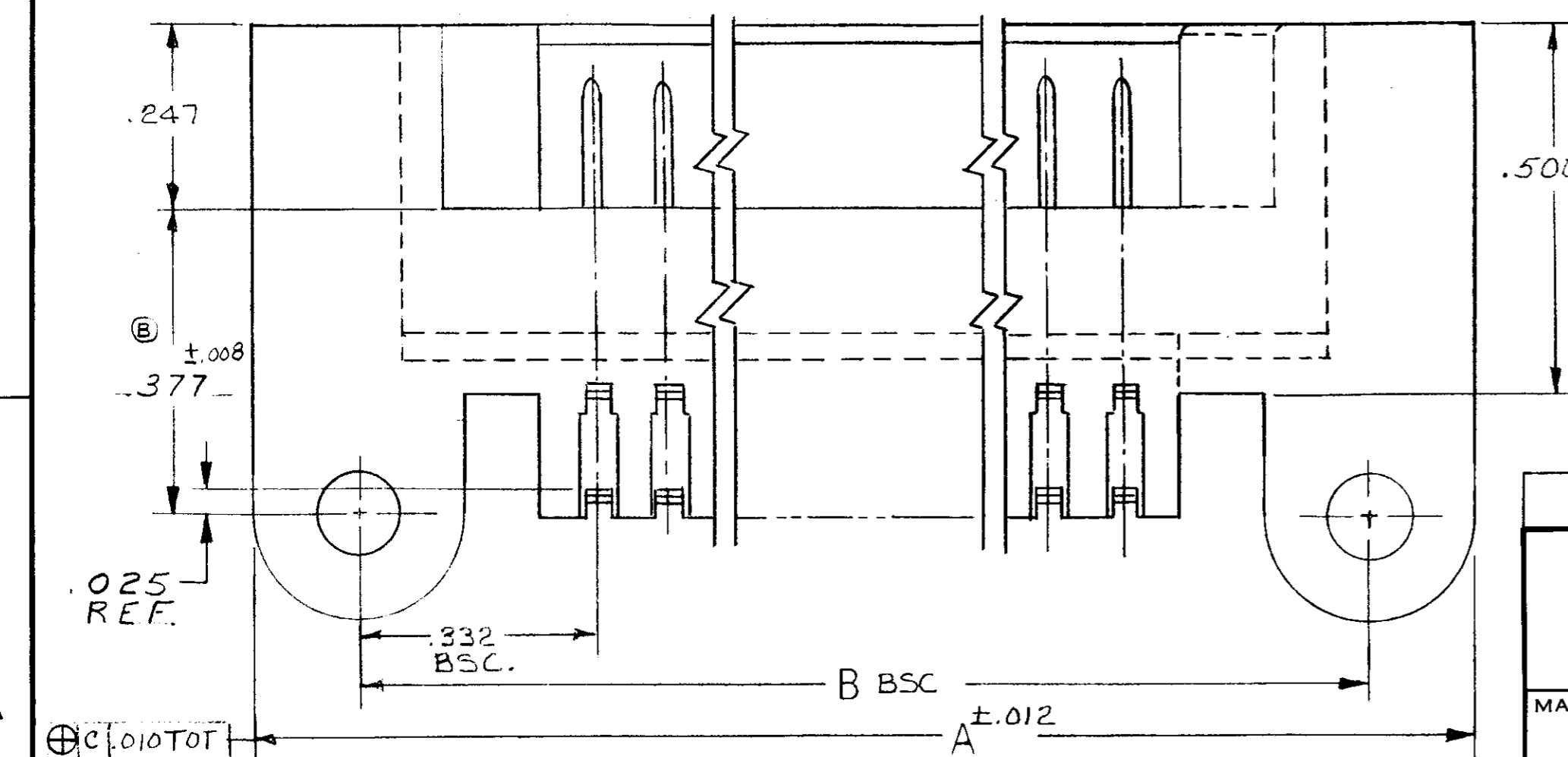
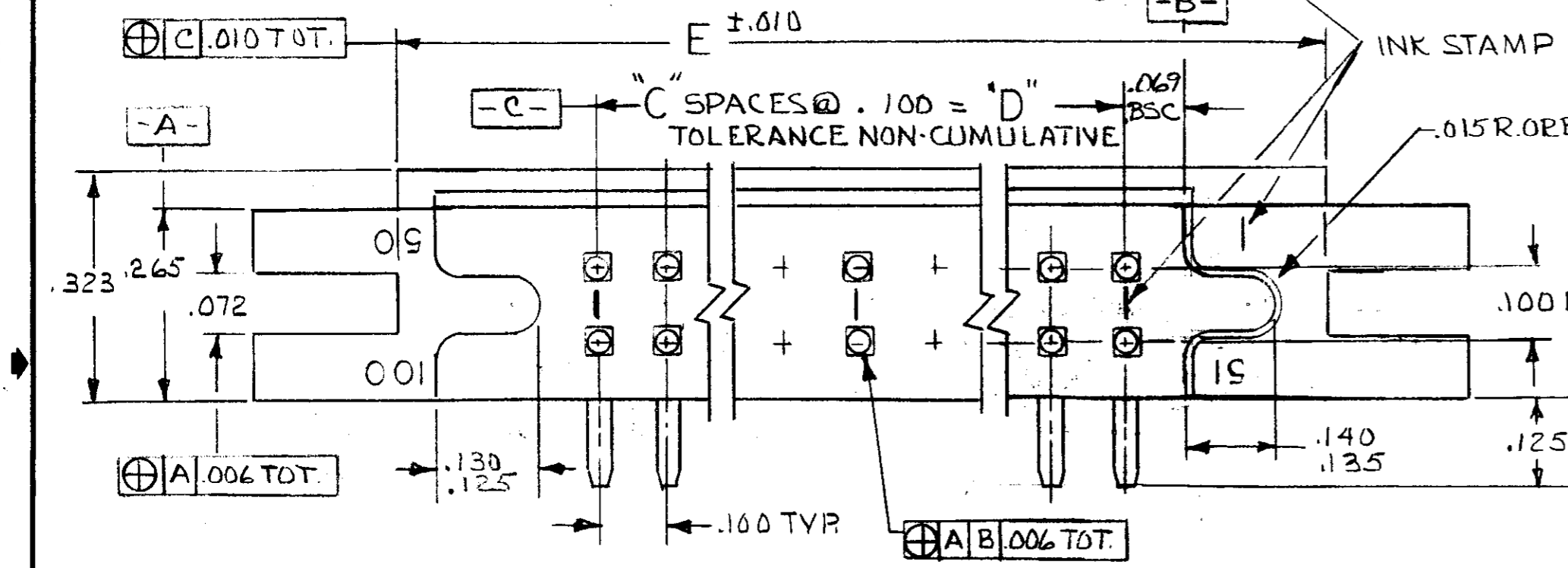
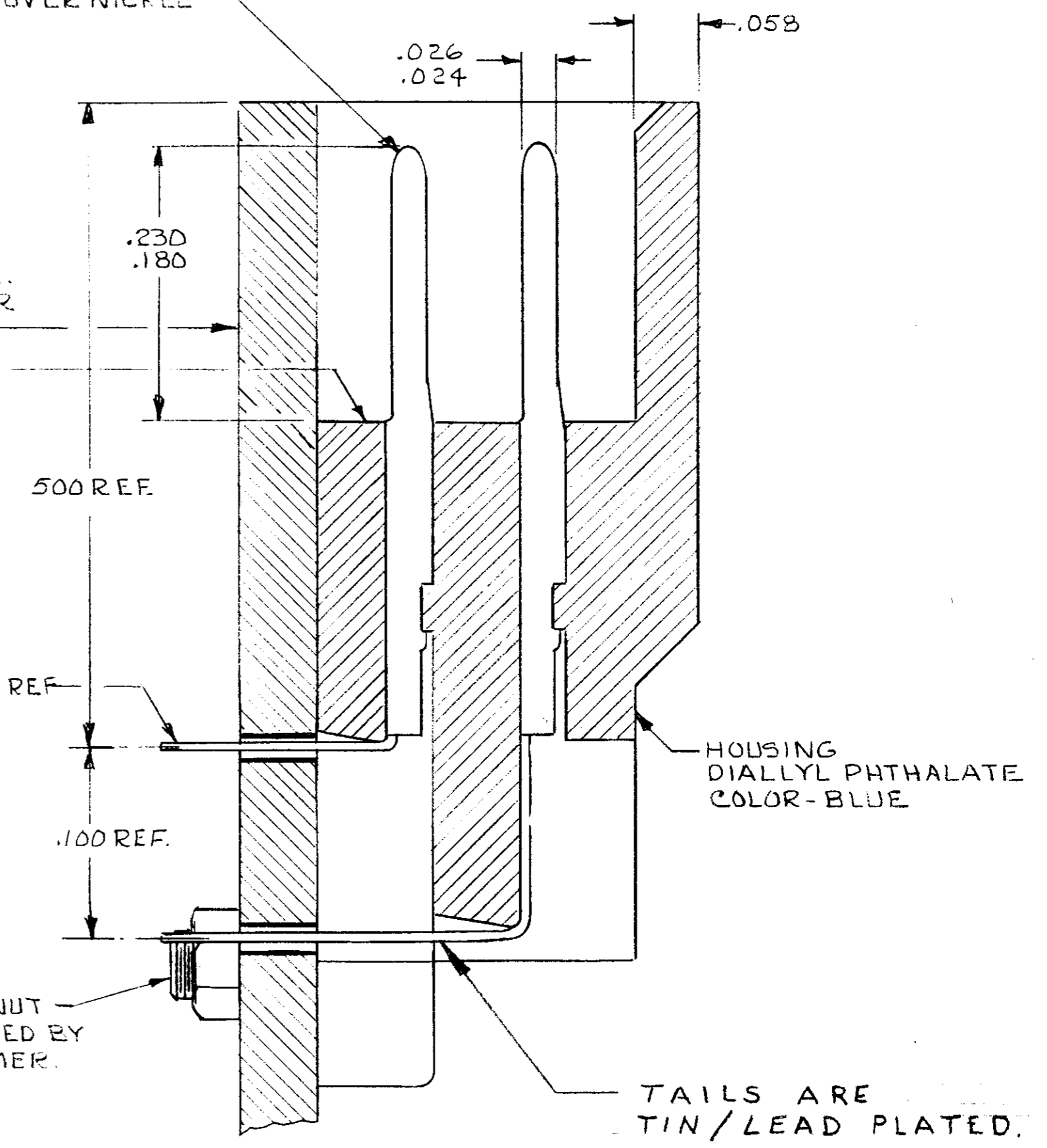
© COPYRIGHT 1975 BY AMP INCORPORATED, HARRISBURG, PA.
 ALL INTERNATIONAL RIGHTS RESERVED. AMP INCORPORATED PRODUCTS
 COVERED BY U. S. AND FOREIGN PATENTS AND/OR PATENTS PENDING.

| REVISIONS | | | | | |
|-----------|------|-----|----------------------|---------|----------|
| REV | ZONE | LTR | DESCRIPTION | DATE | APPROVED |
| F | | | REV PER 0600-6467-97 | 11-98 | DM |
| G | | | ECO-10-002909 | PY 2-10 | DM |



PIN CONTACT
 BRASS .000050 MIN.
 GOLD OVER NICKEL

.096 MAX.
 DAUGHTER
 BOARD
 MATING
 FACE



OB SOLETE

| | | | | | |
|---|--|----------------------------------|--|---|--|
| UNLESS OTHERWISE SPECIFIED DIMENSIONS ARE IN INCHES. TOLERANCES ON: DECIMALS ± .005 ANGLES ± | | CONTRACT NO | | AMP INCORPORATED Harrisburg, Pa. | |
| MATERIAL SEE CALL-OUT | | DR <i>Rymbel</i> 7-7-75 | | NAME PIN HEADER ASS'Y, RIGHT ANGLE MOUNTED CONNECTOR, BOX CONTACT 1000 SERIES. | |
| FINISH SEE CALL-OUT | | CHK <i>Rymbel</i> 7-9-75 | | APPD <i>R. J. ...</i> 7-10-75 | |
| | | APPD <i>R. J. ...</i> 7/10/75 | | DSGN APPD | |
| | | OTHER APPD | | SIZE CODE IDENT NO DRAWING NO C 00779 530336 | |
| | | | | REV G | |
| | | SCALE 5-1 | | SHEET 1 of 2 | |

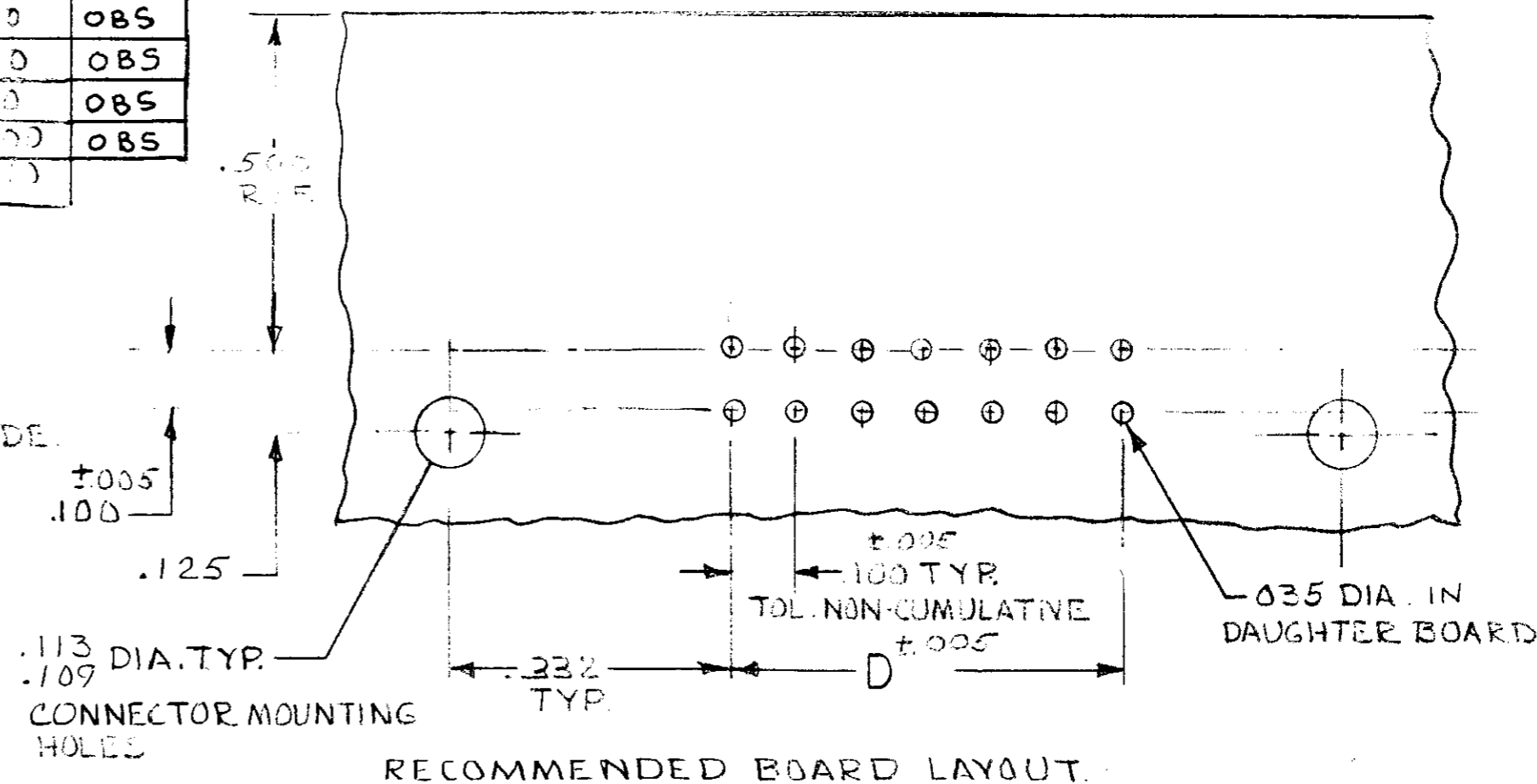
© COPYRIGHT 1975 BY AMP INCORPORATED, HARRISBURG, PA.
 ALL INTERNATIONAL RIGHTS RESERVED. AMP INCORPORATED PRODUCTS
 COVERED BY U. S. PATENTS AND/OR PATENTS PENDING.

Unpublished copy not to be reproduced without written permission of AMP Incorporated.

| REVISIONS | | DATE | APPROVED |
|-----------|----------|------|----------|
| F | ZONE LTR | | |
| G | | | |

| PART NO. | NO POSITIONS | A | B | C | D | E | CONTACT IDENTIFICATION NUMBER. | |
|----------|--------------|-------|-------|----|-------|-------|--------------------------------|-----|
| 530336-1 | 30 | 2.355 | 2.065 | 14 | 1.400 | 1.955 | 1-15, 16-30 | OBS |
| ↑ -2 | 40 | 2.855 | 2.565 | 19 | 1.900 | 2.455 | 1-26, 21-40 | |
| -3 | 50 | 3.255 | 3.065 | 24 | 2.400 | 2.955 | 1-25, 26-50 | OBS |
| -4 | 60 | 3.855 | 3.565 | 29 | 2.900 | 3.455 | 1-30, 31-60 | OBS |
| -5 | 70 | 4.255 | 4.065 | 34 | 3.400 | 3.955 | 1-35, 36-70 | OBS |
| -6 | 80 | 4.855 | 4.565 | 39 | 3.900 | 4.455 | 1-40, 41-80 | OBS |
| -7 | 90 | 5.355 | 5.065 | 44 | 4.400 | 4.955 | 1-45, 46-90 | OBS |
| ↓ -8 | 100 | 5.855 | 5.565 | 49 | 4.900 | 5.455 | 1-50, 51-100 | OBS |
| 530336-9 | 110 | 6.355 | 6.065 | 54 | 5.400 | 5.955 | 1-55, 56-110 | |

⚠ NUMBERS (SEE TABLE) AND LINES INDICATING EVERY FIVE CAVITIES STAMPED ON MATING FACE. NUMBERS INDICATING EVERY FIVE CAVITIES STAMPED ON SIDE.



| | | | | | |
|--|--|------------------------------------|--|---|---------------|
| UNLESS OTHERWISE SPECIFIED DIMENSIONS ARE IN INCHES. TOLERANCES ON: DECIMALS ± ANGLES ± | | CONTRACT NO | | PART NO | |
| MATERIAL | | DR <i>Revised 7-10-75</i> | | AMP INCORPORATED Harrisburg, Pa. | |
| FINISH | | CHK <i>Revised 7-10-75</i> | | | |
| | | APPD <i>L.S. Thomas 7/10/75</i> | | NAME PIN HEADER ASSY. RIGHT ANGLE CONNECTOR, BOX CONTACT | |
| | | DSGN APPD | | SIZE | CODE IDENT NO |
| | | OTHER APPD | | C | 00779 |
| | | | | DRAWING NO 530336 | |
| | | | | SCALE | REV G |
| | | | | SHEET 2 OF 2 | |