

Features

- IEC input connector.
- Leak current lower than 0.5mA (250V_{AC}, 60Hz).



Safety Agency : Standard	File No.
UL : UL-1283	E78644
CSA : C22.2, No.8-M1986	LR60681
SEMKO : EN133200	SE/0142-8

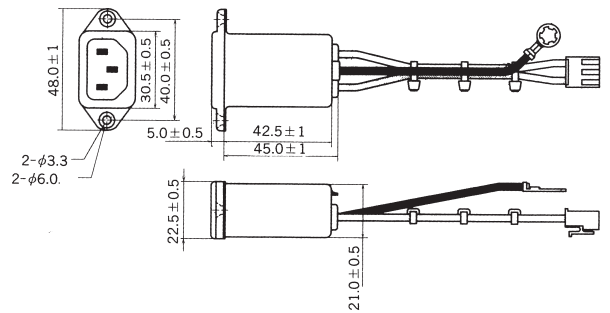
The "ENCE" mark is a common European product certification mark based on testing to harmonised European safety standard.

Applications

- Medical equipments, PCs, Word processors, Printers and Measuring devices

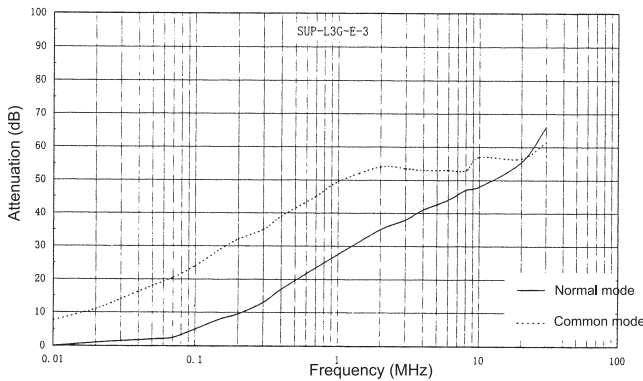


Dimensions

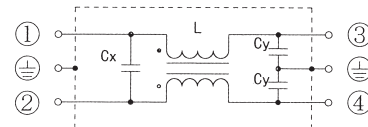


Recommended torque tightness less than 0.6N · m. Unit: mm

Static characteristics



Circuit



Electrical Specifications

Rated Voltage **250VAC**

Safety Agency	Model Number	Rated Current (A)	Test Voltage	Insulation Resistance	Leakage Current (max)	Voltage Drop (max)	Temperature Rise (max)	Operating Temperature (°C)	Insertion losses	
									Normal Mode (MHz)	Common Mode (MHz)
	SUP-L3G-E-3	3	L to L 1000Vrms 50/60Hz 60sec Line to Ground 2000Vrms 50/60Hz 60sec	Line to Ground 6000MΩmin (at 500V _{DC})	0.5mA (at 250Vrms 60Hz)	0.6Vrms	35deg	-25 ~ +50	3.0 ~ 30	2.0 ~ 30
	SUP-L4G-E-3	4							3.0 ~ 30	2.0 ~ 30
	SUP-L6G-E-3	6							3.0 ~ 30	2.0 ~ 30

Guaranteed attenuation is more than 25dB in normal mode and more than 35dB in common mode.