



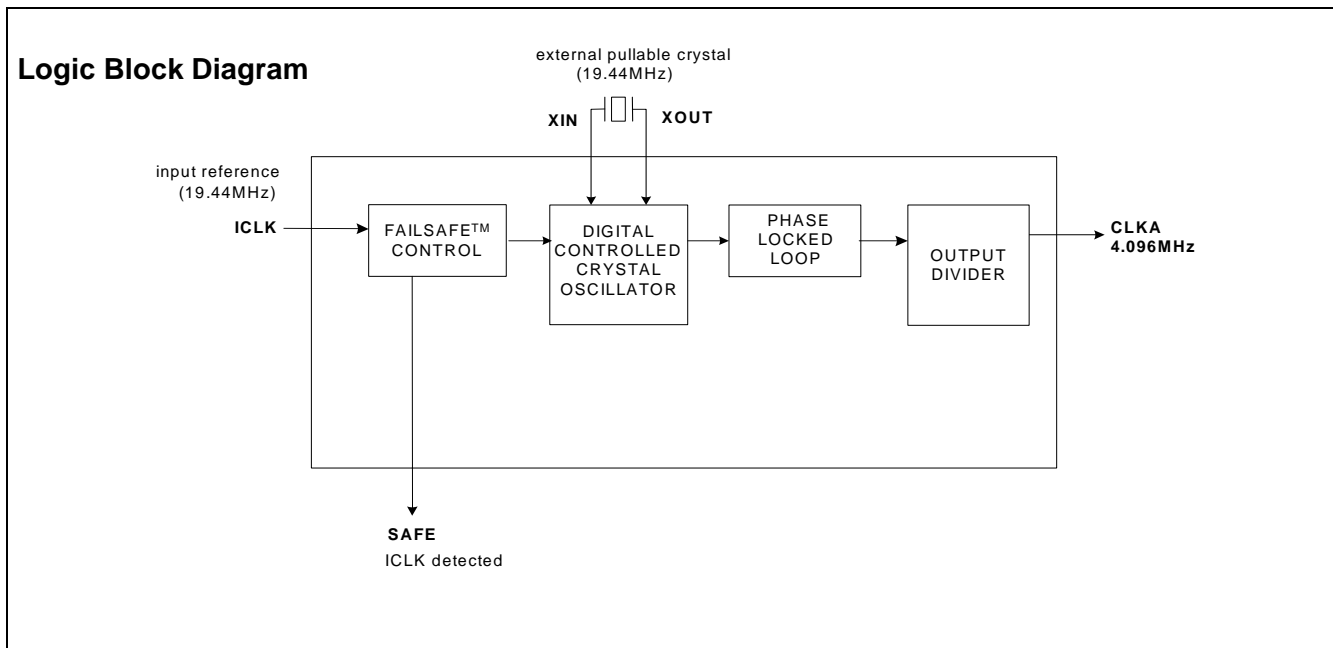
# FailSafe™ PacketClock™ Global Communications Clock Generator

## Features

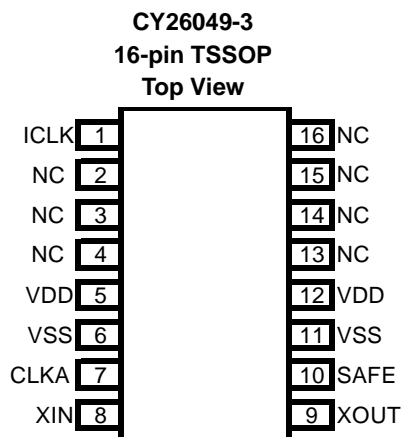
- Fully integrated phase-locked loop (PLL)
- FailSafe™ output
- PLL driven by a crystal oscillator that is phase aligned with external reference
- 4.096-MHz output from 19.44-MHz input
- Low-jitter, high-accuracy outputs
- 3.3V ± 5% operation
- 16-lead TSSOP

## Benefits

- Integrated high-performance PLL tailored for telecommunications frequency synthesis eliminates the need for external loop filter components
- When reference is off, DCXO maintains clock outputs and SAFE pin indicates FailSafe conditions
- DCXO maintains continuous operation should the input reference clock fail
- Glitch-free transition simplifies system design
- FailSafe DCXO loop bandwidth approximately 100 Hz
- Works with commonly available, low-cost 19.44-MHz crystal
- Zero-ppm error for all output frequencies
- Compatible across industry standard design platforms
- Industry standard package with 6.4 x 5.0 mm<sup>2</sup> footprint and a height profile of just 1.1 mm



**Pin Configuration**



**Pin Description**

Pin Number	Pin Name	Pin Description
1	ICLK	Reference Input Clock: 19.44 MHz.
2	NC	No Connect.
3	NC	No Connect.
4	NC	No Connect.
5	VDD	Voltage Supply: 3.3V.
6	VSS	Ground.
7	CLKA	Clock Output: 4.096 MHz.
8	XIN	Pullable Crystal Input: 19.44 MHz.
9	XOUT	Pullable Crystal Output: 19.44 MHz.
10	SAFE	High = reference ICLK within range, Low = reference ICLK out of range.
11	VSS	Ground.
12	VDD	Voltage Supply: 3.3V.
13	NC	No Connect.
14	NC	No Connect.
15	NC	No Connect.
16	NC	No Connect.

**Selector Guide**

Part Number	Input Frequency Range	Outputs	Output Frequencies
CY26049ZC-3	Reference Input Clock: 19.44 MHz Crystal: 19.44-MHz Pullable Crystal per Cypress Specification	1	4.096 MHz

**Description**

CY26049-3 is a FailSafe frequency synthesizer with a reference clock input and 4.096-MHz output. The device provides an optimum solution for applications where continuous operation is required in the event of a primary clock failure. The continuous, glitch-free operation is achieved by using a DCXO, which serves as a primary clock source. The FailSafe control circuit synchronizes the DCXO oscillator with the reference as long as the reference is within the pull range of the crystal.

In the event of a reference clock failure the DCXO maintains the last frequency of the reference clock. The unique feature of the CY26049-3 is that the DCXO is in fact the primary clocking source. When the reference clock is restored, the DCXO automatically resynchronizes to the reference. The status of the reference clock input, as detected by the CY26049-3, is reported by the SAFE pin.



**Absolute Maximum Conditions**

Supply Voltage ( $V_{DD}$ ) .....-0.5 to +7.0V  
 DC Input Voltage.....-0.5V to  $V_{DD}+0.5$   
 Storage Temperature (Non-condensing).....-55°C to +125°C

Junction Temperature ..... -40°C to +125°C  
 Data Retention @  $T_j = 125^\circ\text{C}$ .....> 10 years  
 Package Power Dissipation..... 350 mW  
 ESD (Human Body Model) MIL-STD-883..... 2000V  
 (Above which the useful life may be impaired. For user guide-  
 lines, not tested.)

**Recommended Pullable Crystal Specifications<sup>[1]</sup>**

Parameter	Description	Comments	Min.	Typ.	Max.	Units
$F_{NOM}$	Nominal crystal frequency	Parallel resonance, fundamental mode, AT cut	-	19.44	-	MHz
$C_{LNOM}$	Nominal load capacitance		-	14	-	pF
$R_1$	Equivalent series resistance (ESR)	Fundamental mode	-	-	25	$\Omega$
$R_3/R_1$	Ratio of third overtone mode ESR to fundamental mode ESR	Ratio used because typical $R_1$ values are much less than the maximum spec	3	-	-	
DL	Crystal drive level	No external series resistor assumed	-	0.5	2	mW
$F_{3SEPHI}$	Third overtone separation from $3 \cdot F_{NOM}$	High side	400	-	-	ppm
$F_{3SEPLO}$	Third overtone separation from $3 \cdot F_{NOM}$	Low side	-	-	-200	ppm
$C_0$	Crystal shunt capacitance		-	-	7	pF
$C_0/C_1$	Ratio of shunt to motional capacitance		180	-	250	
$C_1$	Crystal motional capacitance		14.4	18	21.6	fF

**Recommended Operating Conditions**

Parameter	Description	Min.	Typ.	Max.	Unit
$V_{DD}$	Operating Voltage	3.15	3.3	3.45	V
$T_{AC}$	Ambient Temperature (Commercial Temperature)	0	-	70	$^\circ\text{C}$
$C_{LOAD}$	Max Output Load Capacitance	-	-	15	pF
$t_{pu}$	Power-up time for all $V_{DD}$ 's to reach minimum specified voltage (power ramps must be monotonic)	0.05	-	500	ms

**DC Electrical Specifications** (Commercial Temp: 0° to 70°C)

Parameter	Description	Test Conditions	Min.	Typ.	Max.	Unit
$I_{OH}$	Output High Current	$V_{OH} = V_{DD} - 0.5$ , $V_{DD} = 3.3\text{V}$ (source)	12	24	-	mA
$I_{OL}$	Output Low Current	$V_{OL} = 0.5$ , $V_{DD} = 3.3\text{V}$ (sink)	12	24	-	mA
$V_{IH}$	Input High Voltage	CMOS Levels	0.7	-	-	$V_{DD}$
$V_{IL}$	Input High Voltage	CMOS Levels	-	-	0.3	$V_{DD}$
$I_{IH}$	Input High Current	$V_{IH} = V_{DD}$	-	5	10	$\mu\text{A}$
$I_{IL}$	Input Low Current	$V_{IL} = 0\text{V}$	-	5	10	$\mu\text{A}$
$C_{IN}$	Input Capacitance		-	-	7	pF
$I_{DD}$	Supply Current	$C_{LOAD} = 15\text{ pF}$ , $V_{DD} = 3.45\text{V}$	-	-	30	mA

**AC Electrical Specifications** (Commercial Temp: 0° to 70° C)

Parameter	Description	Test Conditions	Min.	Typ.	Max.	Unit
$f_{ICLK-E}$	Frequency, Input Clock	Input Clock Frequency, External Mode	-	19.44	-	MHz
LR	FailSafe Lock Range <sup>[2]</sup>	Range of reference ICLK for Safe = High	-250	-	+250	ppm
$DC = t_2/t_1$	Output Duty Cycle	Duty Cycle defined in Figure 1, measured at 50% of $V_{DD}$	45	50	55	%
$T_{PJIT2}$	Clock Jitter; output < 5 MHz	Period Jitter, Peak to Peak, 10,000 periods	-	-	500	ps
		RMS Period Jitter, RMS	-	-	100	ps
$t_6$	PLL Lock Time	Time for PLL to lock within $\pm 150$ ppm of target frequency	-	-	3	ms

**Notes:**

1. Ecliptek ECX-5763-19.440M meets these specifications.
2. Dependent on crystals chosen and crystal specs.

**AC Electrical Specifications** (Commercial Temp: 0° to 70° C) (continued)

Parameter	Description	Test Conditions	Min.	Typ.	Max.	Unit
$t_{fs\_lock}$	Failsafe Lock Time	Time for PLL to lock to ICLK (outputs phase aligned with ICLK and Safe = High)	–	–	7	s
$f_{error}$	Frequency Synthesis Error	Actual mean frequency error vs. target	–	0	–	ppm
ER	Rising Edge Rate	Output Clock Edge Rate, Measured from 20% to 80% of $V_{DD}$ , $C_{LOAD} = 15$ pF See Figure 2.	0.8	1.4	2	V/ns
EF	Falling Edge Rate	Output Clock Edge Rate, Measured from 20% to 80% of $V_{DD}$ , $C_{LOAD} = 15$ pF See Figure 2.	0.8	1.4	2	V/ns

**Voltage and Timing Definitions**

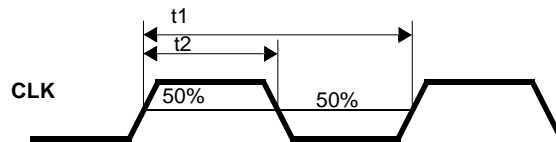


Figure 1. Duty Cycle Definition;  $DC = t2/t1$

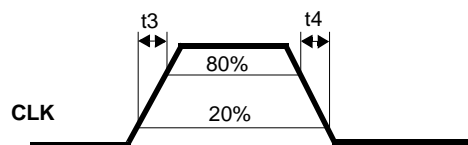
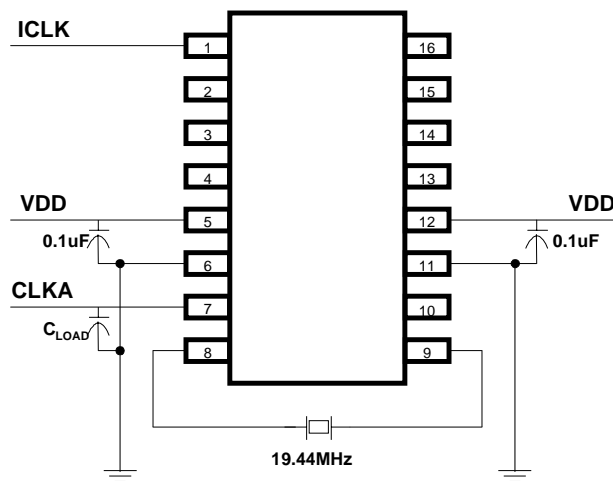


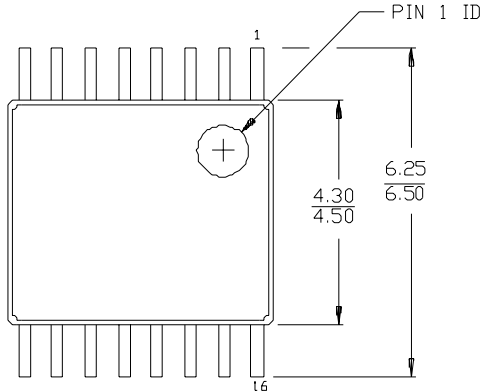
Figure 2. Rise and Fall Time Definitions:  $ER = 0.6 \times VDD / t3$ ,  $EF = 0.6 \times VDD / t4$

**Test Circuit**



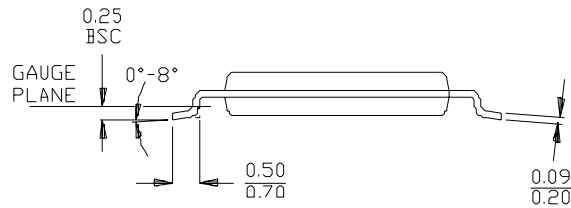
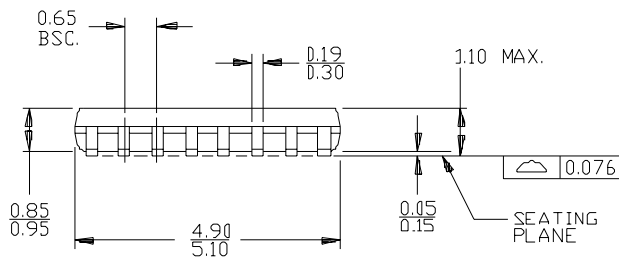
**Ordering Information**

Ordering Code	Package Type	Operating Temperature Range
CY26049ZC-3	16-lead TSSOP	Commercial 0° to 70°C
CY26049ZC-3T	16-lead TSSOP—Tape and Reel	Commercial 0° to 70°C

**Package Drawing and Dimensions**
**16-lead Thin Shrunken Small Outline Package (4.40 MM Body) Z16**


DIMENSIONS IN MILLIMETERS.

MIN.
MAX.



51-85091-\*\*

FailSafe and PacketClock are trademarks of Cypress Semiconductor Corporation. All product and company names mentioned in this document are the trademarks of their respective holders.



**Document History Page**

<b>Document Title: CY26049-3 FailSafe™ PacketClock™ Global Communications Clock Generator</b>				
<b>Document Number: 38-07483</b>				
<b>REV.</b>	<b>ECN NO.</b>	<b>Issue Date</b>	<b>Orig. of Change</b>	<b>Description of Change</b>
**	119589	11/01/02	CKN	New Data Sheet
*A	128092	09/11/03	IJA	Changed name from "FailSafe™ Communications Clock Generator" to "FailSafe™ PacketClock™ Global Communications Clock Generator." Changed wording in Features and Benefits and Pin Description table. Replaced Recommended Pullable Crystal Specifications table.