



MRF24J40
Data Sheet

IEEE 802.15.4™ 2.4 GHz
RF Transceiver

Note the following details of the code protection feature on Microchip devices:

- Microchip products meet the specification contained in their particular Microchip Data Sheet.
- Microchip believes that its family of products is one of the most secure families of its kind on the market today, when used in the intended manner and under normal conditions.
- There are dishonest and possibly illegal methods used to breach the code protection feature. All of these methods, to our knowledge, require using the Microchip products in a manner outside the operating specifications contained in Microchip's Data Sheets. Most likely, the person doing so is engaged in theft of intellectual property.
- Microchip is willing to work with the customer who is concerned about the integrity of their code.
- Neither Microchip nor any other semiconductor manufacturer can guarantee the security of their code. Code protection does not mean that we are guaranteeing the product as "unbreakable."

Code protection is constantly evolving. We at Microchip are committed to continuously improving the code protection features of our products. Attempts to break Microchip's code protection feature may be a violation of the Digital Millennium Copyright Act. If such acts allow unauthorized access to your software or other copyrighted work, you may have a right to sue for relief under that Act.

Information contained in this publication regarding device applications and the like is provided only for your convenience and may be superseded by updates. It is your responsibility to ensure that your application meets with your specifications. MICROCHIP MAKES NO REPRESENTATIONS OR WARRANTIES OF ANY KIND WHETHER EXPRESS OR IMPLIED, WRITTEN OR ORAL, STATUTORY OR OTHERWISE, RELATED TO THE INFORMATION, INCLUDING BUT NOT LIMITED TO ITS CONDITION, QUALITY, PERFORMANCE, MERCHANTABILITY OR FITNESS FOR PURPOSE. Microchip disclaims all liability arising from this information and its use. Use of Microchip devices in life support and/or safety applications is entirely at the buyer's risk, and the buyer agrees to defend, indemnify and hold harmless Microchip from any and all damages, claims, suits, or expenses resulting from such use. No licenses are conveyed, implicitly or otherwise, under any Microchip intellectual property rights.

Trademarks

The Microchip name and logo, the Microchip logo, Accuron, dsPIC, KEELOQ, microID, MPLAB, PIC, PICmicro, PICSTART, PRO MATE, PowerSmart, rfPIC and SmartShunt are registered trademarks of Microchip Technology Incorporated in the U.S.A. and other countries.


AmpLab, FilterLab, Migratable Memory, MXDEV, MXLAB, SEEVAL, SmartSensor and The Embedded Control Solutions Company are registered trademarks of Microchip Technology Incorporated in the U.S.A.

Analog-for-the-Digital Age, Application Maestro, CodeGuard, dsPICDEM, dsPICDEM.net, dsPICworks, ECAN, ECONOMONITOR, FanSense, FlexROM, fuzzyLAB, In-Circuit Serial Programming, ICSP, ICEPIC, Linear Active Thermistor, Mindi, MiWi, MPASM, MPLIB, MPLINK, PICkit, PICDEM, PICDEM.net, PICLAB, PICtail, PowerCal, PowerInfo, PowerMate, PowerTool, REAL ICE, rLAB, rfPICDEM, Select Mode, Smart Serial, SmartTel, Total Endurance, UNI/O, WiperLock and ZENA are trademarks of Microchip Technology Incorporated in the U.S.A. and other countries.

SQTP is a service mark of Microchip Technology Incorporated in the U.S.A.

All other trademarks mentioned herein are property of their respective companies.

© 2006, Microchip Technology Incorporated, Printed in the U.S.A., All Rights Reserved.

 Printed on recycled paper.

QUALITY MANAGEMENT SYSTEM
CERTIFIED BY DNV
== ISO/TS 16949:2002 ==

Microchip received ISO/TS-16949:2002 certification for its worldwide headquarters, design and wafer fabrication facilities in Chandler and Tempe, Arizona, Gresham, Oregon and Mountain View, California. The Company's quality system processes and procedures are for its PIC® 8-bit MCUs, KEELOQ® code hopping devices, Serial EEPROMs, microperipherals, nonvolatile memory and analog products. In addition, Microchip's quality system for the design and manufacture of development systems is ISO 9001:2000 certified.

IEEE 802.15.4™ 2.4 GHz RF Transceiver

Devices Included:

- MRF24J40

Features:

- Complete IEEE 802.15.4 Specification Compliant
- Supports MiWi™, ZigBee™ and Proprietary Protocols
- Simple, 4-Wire SPI Interface
- Integrated 20 MHz and 32.768 kHz Oscillator Drive
- 20 MHz Reference Clock Output:
 - Available to drive microcontroller oscillator
- Supports Power-Saving mode
- Low-Current Consumption, Typical 18 mA in RX mode and 22 mA in TX mode
- Typical 2 μ A Sleep mode
- Small, 40-Pin Leadless QFN 6x6 mm² Package

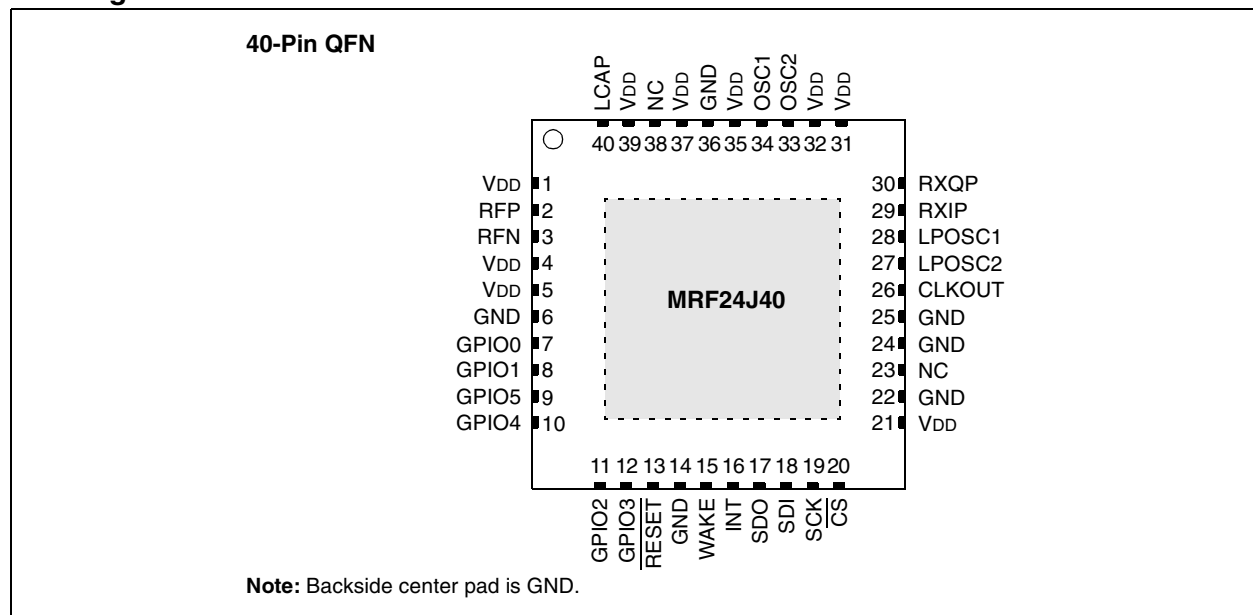
RF/Analog Features:

- ISM Band 2.405-2.48 GHz Operation
- -91 dBm Typical Sensitivity and +5 dBm Maximum Input Level
- +0 dBm Typical Output Power and 38.75 dB TX Power Control Range
- Differential RF Input/Output and Integrated TX/RX Switch
- Integrated Low Phase Noise VCO, Frequency Synthesizer and PLL Loop Filter
- Digital VCO and Filter Calibration
- Integrated RSSI ADC and I/Q DACs
- Integrated LDO
- High Receiver and RSSI Dynamic Range

MAC/Baseband Features:

- Hardware CSMA-CA Mechanism, Automatic ACK Response and FCS Check
- Independent Beacon, Transmit and GTS FIFO
- Hardware Security Engine (AES-128) with CTR, CCM and CBC-MAC modes
- Supports all CCA modes and RSS/LQI
- Automatic Packet Retransmit Capability
- Supports In-Line or Stand-Alone modes for both Encryption and Decryption

Pin Diagram:



MRF24J40

Table of Contents

1.0 Overview	3
2.0 External Connections	7
3.0 Memory Organization	9
4.0 Serial Peripheral Interface (SPI)	13
5.0 IEEE 802.15.4™-2003	19
6.0 Initialization	21
7.0 Transmitting and Receiving Packets	29
8.0 Interrupts	35
9.0 General Purpose I/O	39
10.0 Electrical Characteristics	41
11.0 Packaging Information	45
Appendix A: Layout and Part Selection	47
Appendix B: MRF24J40 Schematic and Bill of Materials	55
Index	59
The Microchip Web Site	61
Customer Change Notification Service	61
Customer Support	61
Reader Response	62
Product Identification System	63

TO OUR VALUED CUSTOMERS

It is our intention to provide our valued customers with the best documentation possible to ensure successful use of your Microchip products. To this end, we will continue to improve our publications to better suit your needs. Our publications will be refined and enhanced as new volumes and updates are introduced.

If you have any questions or comments regarding this publication, please contact the Marketing Communications Department via E-mail at docerrors@microchip.com or fax the **Reader Response Form** in the back of this data sheet to (480) 792-4150. We welcome your feedback.

Most Current Data Sheet

To obtain the most up-to-date version of this data sheet, please register at our Worldwide Web site at:

<http://www.microchip.com>

You can determine the version of a data sheet by examining its literature number found on the bottom outside corner of any page. The last character of the literature number is the version number, (e.g., DS30000A is version A of document DS30000).

Errata

An errata sheet, describing minor operational differences from the data sheet and recommended workarounds, may exist for current devices. As device/documentation issues become known to us, we will publish an errata sheet. The errata will specify the revision of silicon and revision of document to which it applies.

To determine if an errata sheet exists for a particular device, please check with one of the following:

- Microchip's Worldwide Web site; <http://www.microchip.com>
- Your local Microchip sales office (see last page)

When contacting a sales office, please specify which device, revision of silicon and data sheet (include literature number) you are using.

Customer Notification System

Register on our web site at www.microchip.com to receive the most current information on all of our products.

1.0 OVERVIEW

The MRF24J40 is an IEEE 802.15.4-2003 compliant transceiver supporting MiWi™, ZigBee™ and other proprietary protocols. The MRF24J40 integrates wireless RF, PHY layer baseband and MAC layer architectures that can be combined with a simple microprocessor to apply low data rate to a multitude of applications that include home automation, consumer electronics, PC peripherals, toys, industrial automation and more. The MRF24J40 device integrates a receiver, transmitter, VCO and PLL into a single integrated circuit. It uses advanced radio architecture to minimize external part count and power consumption. The MRF24J40 MAC/baseband provides hardware architecture for both IEEE 802.15.4 MAC and PHY layers. It mainly consists of TX/RX FIFOs, a CSMA-CA controller, superframe constructor, receive frame filter, security engine and digital signal processing module. The MRF24J40 is fabricated by advanced 0.18 μm CMOS process and is offered in a 40-pin QFN 6x6 mm² package.

Features are summarized in Table 1-1 and the pinout for this device is listed in Table 1-2.

The MRF24J40 consists of four major functional blocks:

1. An SPI interface that serves as a communication channel between the host controller and the MRF24J40.
2. Control registers which are used to control and monitor the MRF24J40.
3. The MAC (Medium Access Control) module that implements IEEE 802.3™ compliant MAC logic.
4. The PHY (Physical Layer) driver that encodes and decodes the analog data.

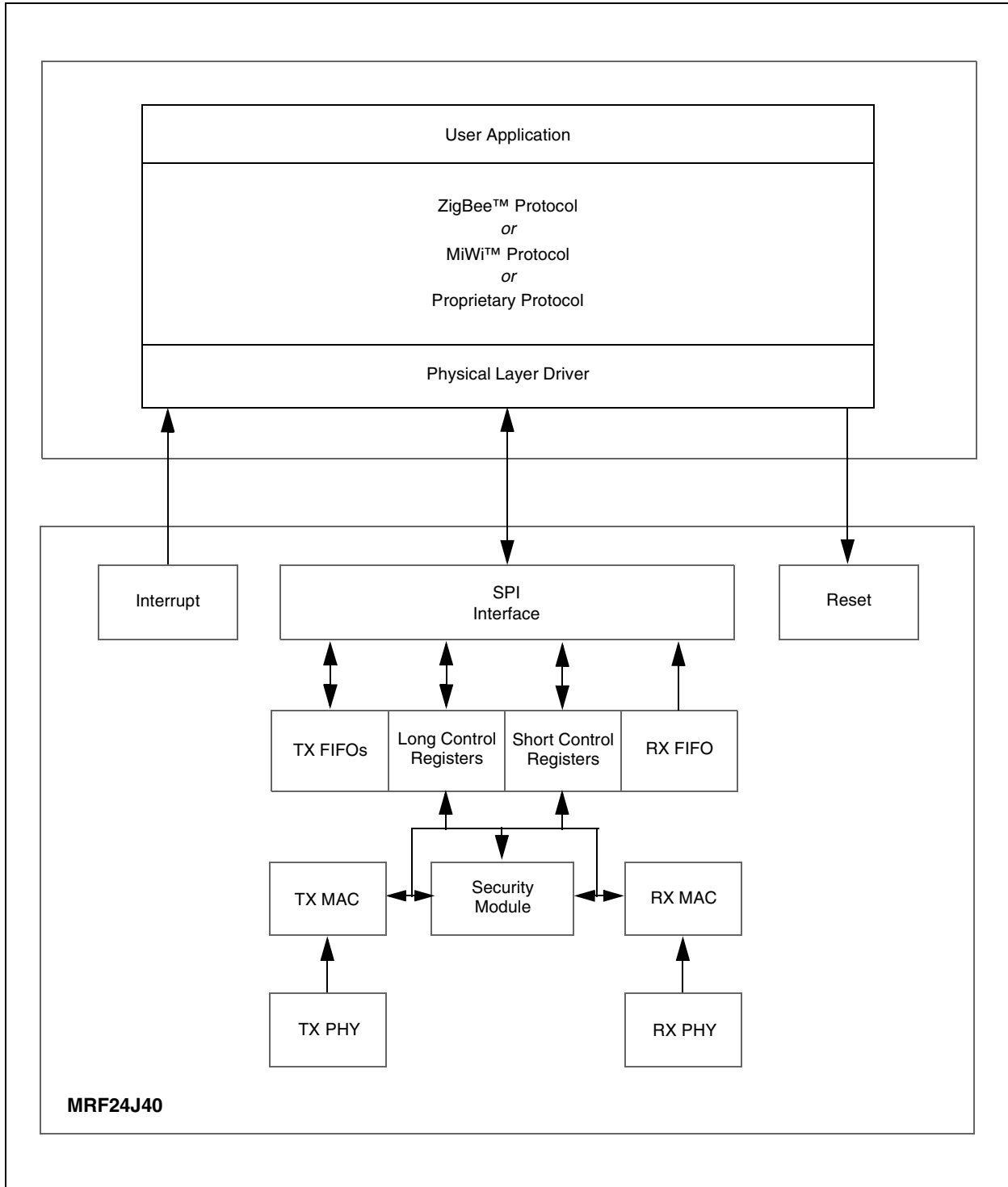
The device also contains other support blocks, such as the on-chip voltage regulator, security module and system control logic.

TABLE 1-1: DEVICE FEATURES FOR THE MRF24J40 (40-PIN DEVICE)

Features	MRF24J40
IEEE 802.15.4™ Specification Compliant	Yes
Integrated Oscillator Drive	20 MHz and 32.768 kHz
Reference Clock Output	20 MHz
Power-Saving Mode Support	Yes
Current Consumption	Typical 18 mA in RX and 22 mA in TX
Sleep Mode	2 μA Typical
Serial Communications	SPI (4-wire)
Packages	40-Pin Leadless QFN 6x6 mm ²

MRF24J40

FIGURE 1-1: MRF24J40 ARCHITECTURE BLOCK DIAGRAM



1.1 Pin Descriptions

TABLE 1-2: MRF24J40 PIN DESCRIPTIONS

Pin	Symbol	Type	Description
1	VDD	Power	RF power supply. Bypass with a capacitor as close to the pin as possible.
2	RFP	AIO	Differential RF input/output (+).
3	RFN	AIO	Differential RF input/output (-).
4	VDD	Power	RF power supply. Bypass with a capacitor as close to the pin as possible.
5	VDD	Power	Guard ring power supply. Bypass with a capacitor as close to the pin as possible.
6	GND	Ground	Guard ring ground.
7	GPIO0	DIO	General purpose digital I/O, also used as external PA enable.
8	GPIO1	DIO	General purpose digital I/O, also used as external TX/RX switch control.
9	GPIO5	DIO	General purpose digital I/O.
10	GPIO4	DIO	General purpose digital I/O.
11	GPIO2	DIO	General purpose digital I/O, also used as external TX/RX switch control.
12	GPIO3	DIO	General purpose digital I/O.
13	$\overline{\text{RESET}}$	DI	Global hardware Reset pin active-low.
14	GND	Ground	Ground for digital circuit.
15	WAKE	DI	External wake-up trigger.
16	INT	DO	Interrupt pin to microcontroller.
17	SDO	DIO	Serial interface data output from MRF24J40.
18	SDI	DIO	Serial interface data input to MRF24J40.
19	SCK	DI	Serial interface clock.
20	$\overline{\text{CS}}$	DI	Serial interface enable.
21	VDD	Power	Digital circuit power supply. Bypass with a capacitor as close to the pin as possible.
22	GND	Ground	Ground for digital circuit.
23	NC	—	No Connection, do not connect anything to this pin.
24	GND	Ground	Ground for digital circuit.
25	GND	Ground	Ground for digital circuit.
26	CLKOUT	DIO	20/10/5/2.5 MHz clock output.
27	LPOSC2	AI	32 kHz crystal input (-).
28	LPOSC1	AI	32 kHz crystal input (+).
29	RXIP	AO	Analog RX I channel output (+).
30	RXQP	AO	Analog RX Q channel output (+).
31	VDD	Power	Power supply for band gap reference circuit. Bypass with a capacitor as close to the pin as possible.
32	VDD	Power	Power supply for analog circuit. Bypass with a capacitor as close to the pin as possible.
33	OSC2	AI	20 MHz crystal input (-).
34	OSC1	AI	20 MHz crystal input (+).
35	VDD	Power	PLL power supply. Bypass with a capacitor as close to the pin as possible.
36	GND	Ground	Ground for PLL.
37	VDD	Power	Charge pump power supply. Bypass with a capacitor as close to the pin as possible.
38	NC	—	No Connection.
39	VDD	Power	VCO supply. Bypass with a capacitor as close to the pin as possible.
40	LCAP	—	PLL loop filter external capacitor. Connected to external 180 pF capacitor.

Legend: A = Analog, D = Digital, I = Input, O = Output

MRF24J40

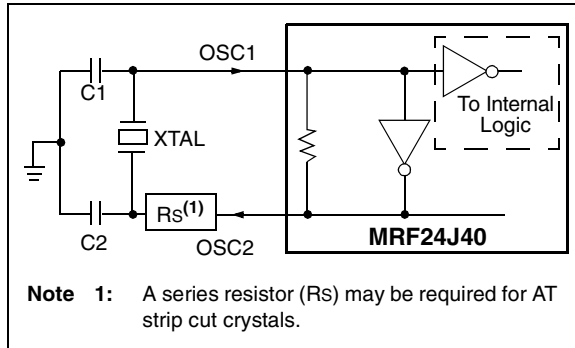
NOTES:

2.0 EXTERNAL CONNECTIONS

2.1 Oscillator

The MRF24J40 is designed to operate at 20 MHz with a crystal connected to the OSC1 and OSC2 pins. A typical oscillator circuit is shown in Figure 2-1.

FIGURE 2-1: CRYSTAL OSCILLATOR OPERATION



2.2 Oscillator Start-up

The MRF24J40 PHY has an internal PLL that must lock before the device is capable of transmitting or receiving packets. After a full Power-on Reset, the device requires 2 ms to lock. During this delay, all registers and buffer memory may still be read and written to through the SPI bus. However, software should not attempt to transmit any packets (set the TXRTS (TXNMTRIG<0>)), or access any MAC or PHY registers during this period.

2.3 CLKOUT Pin

The clock out pin is provided to the system designer for use as the host controller clock or as a clock source for other devices in the system. The CLKOUT has an internal prescaler which can divide the output by 1, 2, 4 or 8. The CLKOUT function is enabled via the CLKCTRL register (Register 2-1) and the prescaler is selected via the RFCTRL7 register (Register 2-2).

REGISTER 2-1: CLKCTRL: DIVIDED SLEEP CLOCK (50 kHz) SELECTION REGISTER

R/W-0	U-0	R/W-0	R/W-0	R/W-0	R/W-0	R/W-0	R/W-0	
r	—	$\overline{\text{CLKOEN}}$	SCLKDIV<4:0>					
bit 7							bit 0	

Legend:

R = Readable bit W = Writable bit U = Unimplemented bit, read as '0'
 -n = Value at POR '1' = Bit is set '0' = Bit is cleared x = Bit is unknown

- bit 7 **Reserved:** Maintain as '0'
- bit 6 **Unimplemented:** Read as '0'
- bit 5 **CLKOEN:** 20 MHz Clock Output Enable bit
 1 = Disable
 0 = Enable
- bit 4-0 **SCLKDIV4:SCLKDIV0:** Divided SLPCCLK Selection bits
 Divided by 2^n .

MRF24J40

REGISTER 2-2: RFCTRL7: RF CONTROL REGISTER 7

R/W-0	R/W-0	U-0	U-0	U-0	U-0	R/W-0	R/W-0
SLPCLK<7:6>		—	—	—	—	CLKDIV<1:0>	
bit 7						bit 0	

Legend:

R = Readable bit
-n = Value at POR

W = Writable bit
'1' = Bit is set

U = Unimplemented bit, read as '0'
'0' = Bit is cleared
x = Bit is unknown

bit 7-6 **SLPCLK7:SLPCLK6:** Sleep Clock Selection bits

00 = None
01 = External crystal
10 = Internal ring oscillator
11 = Reserved

bit 5-2 **Unimplemented:** Read as '0'

bit 1-0 **CLKDIV1:CLKDIV0:** MRF24J40 Clock Output Frequency bits

00 = 2.5 MHz
01 = 5 MHz
10 = 10 MHz
11 = 20 MHz

To create a clean clock signal, the CLKOUT pin is held low for a period when power is first applied. After the Power-on Reset ends, the Oscillator Start-up Timer (OST) will begin counting. When the OST expires, the CLKOUT pin will begin outputting its default frequency of 2.5 MHz (main clock divided by 8).

2.4 RF Output

RFP and RFN are the differential RF input/output pins. These pins are connected to the antenna of the system, as seen in the example circuit diagram in Figure A-1. L5 is an RF choke. This inductor filters out non 2.4 GHz voltages. L3, L4, C37 and C43 act as a balun. The balun converts a differential unbalanced input and converts it to a balanced singled-ended output and visa versa. L1, C23 and C38 form a pi-type matching circuit to match the impedance of the balun to the impedance of the antenna. This circuit is not required if the impedance of the balun matches the antenna impedance. Refer to **Appendix A.1 "Layout Considerations and RF Measurements"** for more details about board layout and part selection concerning the RF output pins.

3.0 MEMORY ORGANIZATION

All memory in the MRF24J40 is implemented as static RAM. There are five types of memory in the MRF24J40:

- Short Address Control Registers
- Long Address Control Registers
- Transmit Buffers
- Receive Buffers
- Security Buffer

The control registers, both long and short, are used for configuration, control, and status retrieval of the MRF24J40. The control registers are directly read and written to by the SPI interface. The transmit and receive buffers contain transmit and receive memory used by the controller to transmit and receive data.

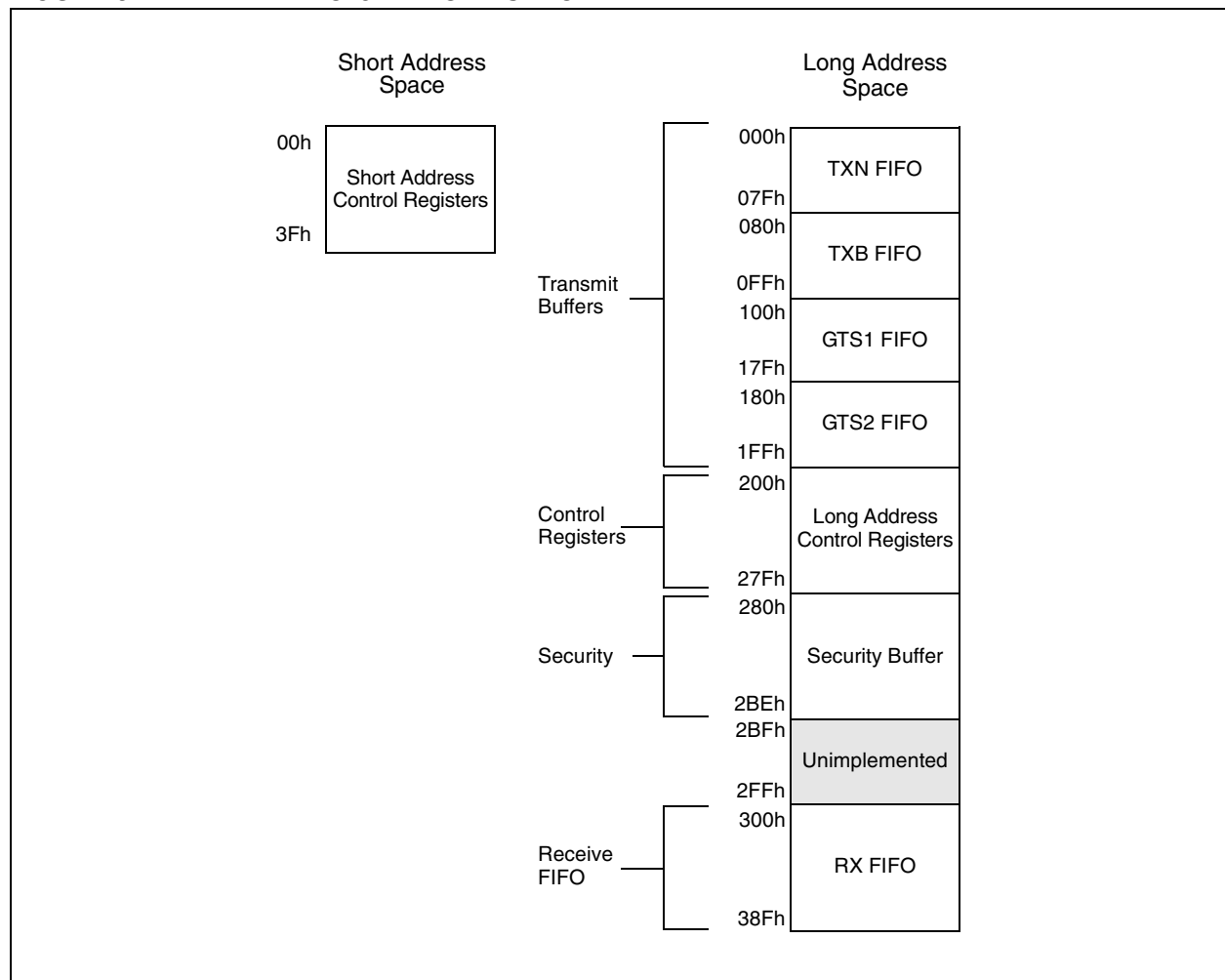
The security buffer provides an engine for the MRF24J40 MAC, which is compatible with the IEEE 802.15.4 LR-WPAN (ZigBee). The security buffer contains the following features:

- Transmit encryption and receive decryption.
- Seven-mode security suite.
- 64 x 8-bit security RAM for security suite storing; one receive key and three transmit keys for TX FIFOs. Beacon FIFO and GTS2 FIFO share the same key space since they will not conflict with each other. Normal FIFO and GTS1 FIFO both have their own transmit key.
- Security of APL and NWK layers can be achieved using the same engine. The upper layer security function is compliant to the ZigBee V1.0 and ZigBee 2006 specifications.

The SPI interface used to write and read these registers is described in **Section 4.0 “Serial Peripheral Interface (SPI)”**.

Figure 3-1 shows the data memory organization for the MRF24J40.

FIGURE 3-1: MRF24J40 MEMORY SPACE



MRF24J40

3.1 Control Registers

The control registers provide the main interface between the host controller and the on-chip RF controller logic. Writing to these registers controls the operation of the interface, while reading the registers allows the host controller to monitor operations.

The control register memory is partitioned into the short address control register section and the long address control register section.

All reserved registers may be read but their contents must not be changed. When reading and writing to registers which contain reserved bits, any rules stated in the register definition should be observed.

FIGURE 3-2: MRF24J40 SHORT ADDRESS CONTROL REGISTER MAPPING

00h	RXMCR	10h	—	20h	—	30h	—
01h	PANIDL	11h	—	21h	—	31h	ISRSTS
02h	PANIDH	12h	—	22h	—	32h	INTMSK
03h	SADRL	13h	—	23h	—	33h	GPIO
04h	SADRH	14h	—	24h	TXSR	34h	TRISGPIO
05h	EADR0	15h	—	25h	—	35h	—
06h	EADR1	16h	—	26h	—	36h	RFCTL
07h	EADR2	17h	—	27h	—	37h	—
08h	EADR3	18h	—	28h	—	38h	—
09h	EADR4	19h	—	29h	—	39h	—
0Ah	EADR5	1Ah	—	2Ah	—	3Ah	BBREG2
0Bh	EADR6	1Bh	TXNMTRIG	2Bh	—	3Bh	—
0Ch	EADR7	1Ch	—	2Ch	—	3Ch	—
0Dh	RXFLUSH	1Dh	—	2Dh	—	3Dh	—
0Eh	—	1Eh	—	2Eh	—	3Eh	BBREG6
0Fh	—	1Fh	—	2Fh	—	3Fh	RSSITHCCA

FIGURE 3-3: MRF24J40 LONG ADDRESS CONTROL REGISTER MAPPING

200h	RFCTRL0	210h	—	220h	CLKCTRL	230h	—	240h	—
201h	—	211h	CLKINTCR	221h	—	231h	—	241h	—
202h	RFCTRL2	212h	—	222h	—	232h	—	242h	—
203h	RFCTRL3	213h	—	223h	—	233h	—	243h	—
204h	—	214h	—	224h	—	234h	—	244h	—
205h	—	215h	—	225h	—	235h	—	245h	—
206h	RFCTRL6	216h	—	226h	—	236h	—	246h	—
207h	RFCTRL7	217h	—	227h	—	237h	—	247h	—
208h	RFCTRL8	218h	—	228h	—	238h	—	248h	—
209h	—	219h	—	229h	—	239h	—	249h	—
20Ah	—	21Ah	—	22Ah	—	23Ah	—	24Ah	—
20Bh	—	21Bh	—	22Bh	—	23Bh	—	24Bh	—
20Ch	—	21Ch	—	22Ch	—	23Ch	—	24Ch	—
20Dh	—	21Dh	—	22Dh	—	23Dh	—		
20Eh	—	21Eh	—	22Eh	—	23Eh	—		
20Fh	—	21Fh	—	22Fh	—	23Fh	—		

3.2 MRF24J40 Address Summary

TABLE 3-1: REGISTER FILE SHORT ADDRESS SUMMARY

File Name	Bit 7	Bit 6	Bit 5	Bit 4	Bit 3	Bit 2	Bit 1	Bit 0	Value on POR	Details on page:	
RXMCR	$\overline{\text{TXCRCEN}}$	BBLPBK	$\overline{\text{ACKEN}}$	MACLPBK	PANCOORD	COORD	$\overline{\text{RXCRCEN}}$	PROMI	0000 0000	21	
PANIDL	MAC PAN Low Byte (PANL<7:0>)								0000 0000	26	
PANIDH	MAC PAN High Byte (PANH<15:8>)								0000 0000	26	
SADRL	MAC Short Address Low Byte (SADDRL<7:0>)								0000 0000	27	
SADRH	MAC Short Address High Byte (SADDRH<15:8>)								0000 0000	27	
EADR0	LSB of EUI (EADR0<7:0>)								0000 0000	26	
EADR1	Byte 2 of EUI (EADR1<15:8>)								0000 0000	26	
EADR2	Byte 3 of EUI (EADR2<23:16>)								0000 0000	26	
EADR3	Byte 4 of EUI (EADR3<31:24>)								0000 0000	26	
EADR4	Byte 5 of EUI (EADR4<39:32>)								0000 0000	26	
EADR5	Byte 6 of EUI (EADR5<47:40>)								0000 0000	26	
EADR6	Byte 7 of EUI (EADR6<55:48>)								0000 0000	26	
EADR7	MSB of EUI (EADR7<63:56>)								0000 0000	26	
RXFLUSH	—	r	r	$\overline{\text{RXWRTBLK}}$	CMDONLY	DATAONLY	BCNONLY	RXFLUSH	-000 0000	34	
TXNMTRIG	—	—	—	PENDACK	INDIRECT	ACKREQ	SECEN	TXRTS	---0 0000	30	
TXSR	TXRETRY<7:6>		CCAFAIL	r	r	r	r	r	0000 0000	31	
ISRSTS	SLPIF	WAKEIF	HSYMTMRIF	SECIF	RXIF	GTS2TXIF	GTS1TXIF	TXIF	0000 0000	36	
INTMSK	SLPMSK	WAKEMSK	HSYMTMRMSK	SECMASK	RXMSK	GTS2TXMSK	GTS1TXMSK	TXMSK	1111 1111	37	
GPIO	—	—	GPIO5	GPIO4	GPIO3	GPIO2	GPIO1	GPIO0	--00 0000	39	
TRISGPIO	—	—	TRISGP5	TRISGP4	TRISGP3	TRISGP2	TRISGP1	TRISGP0	--00 0000	40	
RFCTL	r	—	—	r	r	RFRST	r	r	0--0 0000	24	
BBREG2	CCAMODE<7:6>		CCATHRES<5:2>					—	—	0000 00--	25
BBREG6	RSSIREQ	RXRSSI	r	r	r	r	r	RSSIRDY	0000 0001	25	
RSSITHCCA	RSSITHRES<7:0>								0000 0000	23	

Legend: - = unimplemented, r = reserved. Shaded cells are unimplemented, read as '0'.

TABLE 3-2: REGISTER FILE LONG ADDRESS SUMMARY

File Name	Bit 7	Bit 6	Bit 5	Bit 4	Bit 3	Bit 2	Bit 1	Bit 0	Value on POR	Details on page:
RFCTRL0	CHANNEL<7:4>				—	—	—	—	0000 ----	24
RFCTRL2	RFPLL	r	r	r	r	—	—	—	0000 0---	22
RFCTRL3	TXPOWER<7:3>					—	—	—	0000 0---	22
RFCTRL6	TXFIL	—	r	r	BATMONEN	—	—	—	0-00 0---	23
RFCTRL7	SLPCLK<7:6>			—	—	—	CLKDIV<1:0>		00-- --00	8
RFCTRL8	—	—	—	RF_VCO	—	—	—	SLPCLKOUT	---0 ---0	23
CLKINTCR	—	—	—	—	—	—	INTEDGE	$\overline{\text{SLPCLKEN}}$	---- --00	38
CLKCTRL	r	—	$\overline{\text{CLKOEN}}$	SCLKDIV<4:0>				—	0-00 0000	7

Legend: - = unimplemented, r = reserved. Shaded cells are unimplemented, read as '0'.

MRF24J40

NOTES:

4.0 SERIAL PERIPHERAL INTERFACE (SPI)

4.1 Overview

The MRF24J40 is designed to interface directly with the Serial Peripheral Interface (SPI) port available on many microcontrollers. The implementation used on this device supports SPI mode 0,0 only. In addition, the SPI port requires that SCK be Idle in a low state; selectable clock polarity is not supported.

Commands and data are sent to the device via the SDI pin, with data being clocked in on the rising edge of SCK. Data is driven out by the MRF24J40 on the SDO line, on the falling edge of SCK. The \overline{CS} pin must be held low while any operation is performed and returned high when finished.

The MRF24J40 accesses the short and long RAM banks in a slightly different manner. The following sections describe the required waveforms in order to read and write from both short and long RAM addresses.

FIGURE 4-1: SPI INPUT TIMING

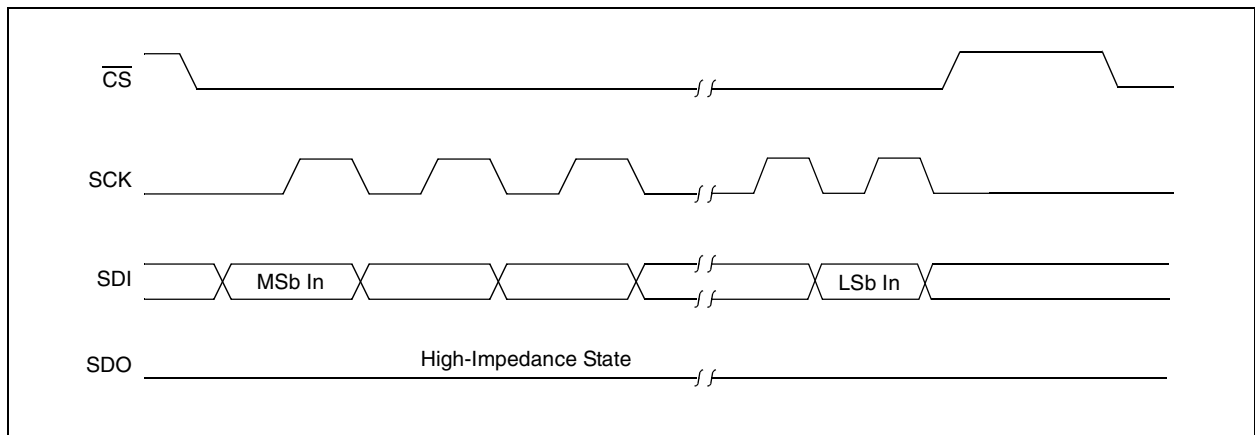
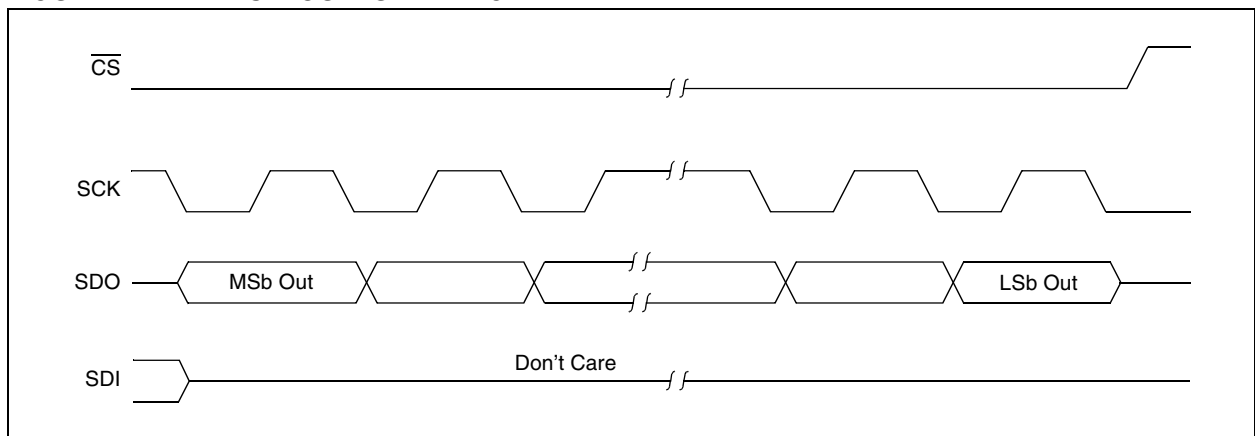


FIGURE 4-2: SPI OUTPUT TIMING



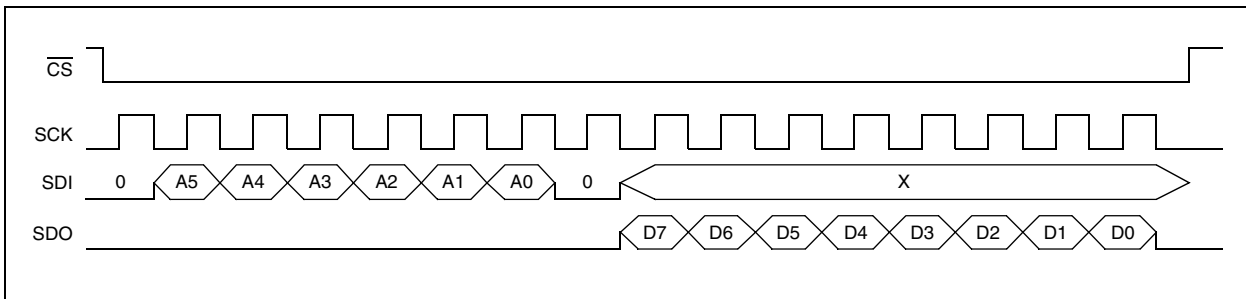
MRF24J40

4.2 Short Address Register Interface

4.2.1 READING SHORT ADDRESS REGISTERS

The short address space is accessed by sending a '0' as the first bit of the SPI transfer. The following 6 bits are the address of the target register. The final bit of the first byte is a '0' to indicate that the command is a read. On the next clock edge of SCK, the Most Significant bit of the register will shift out, followed by the rest of the bits.

FIGURE 4-3: SHORT ADDRESS READ



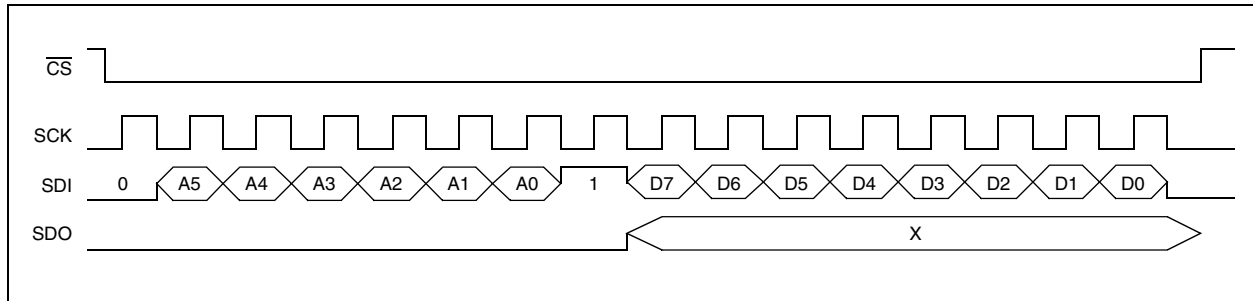
EXAMPLE 4-1: SHORT ADDRESS READ EXAMPLE

```
BYTE GetShortRAMAddress (BYTE address)
{
    BYTE toReturn;
    CSn = 0;
    SPIPut ((address<<1)&0b01111110);
    toReturn = SPIGet();
    CSn = 1;
    return toReturn;
}
```


4.2.2 WRITING SHORT ADDRESS REGISTERS

The short address space is accessed by sending a '0' as the first bit of the SPI transfer. The following 6 bits are the address of the target register. The final bit of the first byte is a '1' to indicate that the command is a write. On the next clock edge of SCK, the Most Significant bit of the register will shift out, followed by the rest of the bits.

FIGURE 4-4: SHORT ADDRESS WRITE



EXAMPLE 4-2: SHORT ADDRESS WRITE EXAMPLE

```
void SetShortRAMAddress(BYTE address, BYTE value)
{
    CSn = 0;
    SPIPut(((address<<1)&0b01111111)|0x01);
    SPIPut(value);
    CSn = 1;
}
```

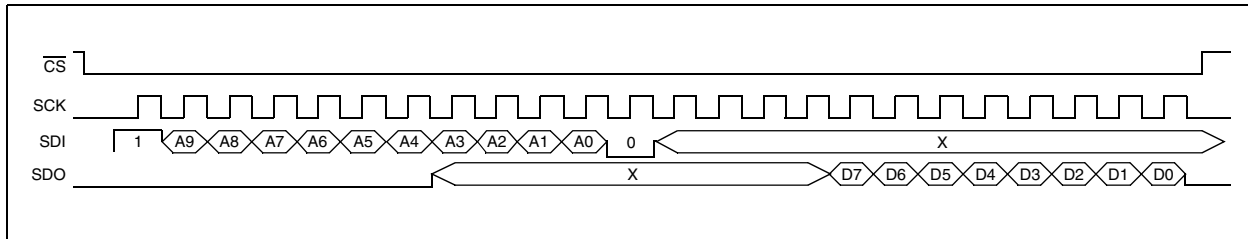
MRF24J40

4.3 Long Address Register Interface

4.3.1 READING LONG ADDRESS REGISTERS

The long address space is accessed by sending a '1' as the first bit of the SPI transfer. The following 10 bits are the address of the target register. The final bit is a '0' to indicate that the command is a read. On the next clock edge of SCK, the Most Significant bit of the register will shift out, followed by the rest of the bits.

FIGURE 4-5: LONG ADDRESS READ



EXAMPLE 4-3: LONG ADDRESS READ EXAMPLE

```
BYTE GetLongRAMAddress (WORD address)
{
    BYTE toReturn;
    CSn = 0;
    SPIPut (((address>>3) & 0b01111111) | 0x80);
    SPIPut (((address<<5) & 0b11100000));
    toReturn = SPIGet();
    CSn = 1;
    return toReturn;
}
```

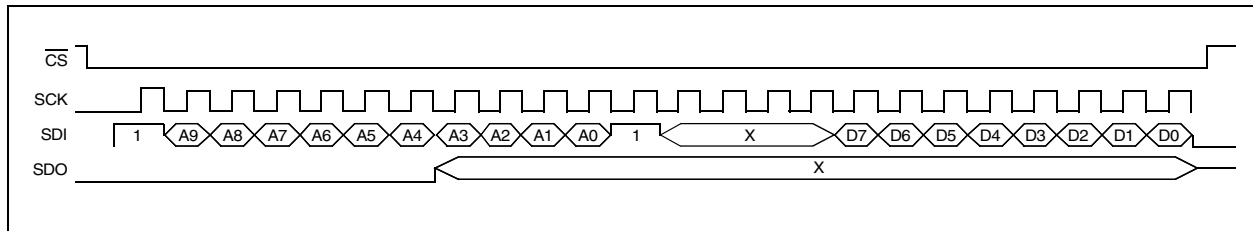
4.3.2 WRITING LONG ADDRESS REGISTERS

The long address space is accessed by sending a '1' as the first bit of the SPI transfer. The following 10 bits are the address of the target register. The final bit is a '1' to indicate that the command is a write. On the next clock edge of SCK, the Most Significant bit of the register will shift out, followed by the rest of the bits.

4.4 Buffer Interface

The receive and transmit buffers in the MRF24J40 are located in the long RAM address space. These buffers are accessed using the same process as accessing the long RAM control addresses. The received buffer is read-only and should not be written to. The use of these buffers is described in **Section 7.0 "Transmitting and Receiving Packets"**.

FIGURE 4-6: LONG ADDRESS WRITE



EXAMPLE 4-4: LONG ADDRESS WRITE EXAMPLE

```
void SetLongRAMAddress(WORD address, BYTE value)
{
    CSn = 0;
    SPIPut(((BYTE) (address>>3) & 0b01111111) | 0x80);
    SPIPut(((BYTE) (address<<5) & 0b11100000) | 0x10);
    SPIPut(value);
    CSn = 1;
}
```

MRF24J40

NOTES:

5.0 IEEE 802.15.4™-2003

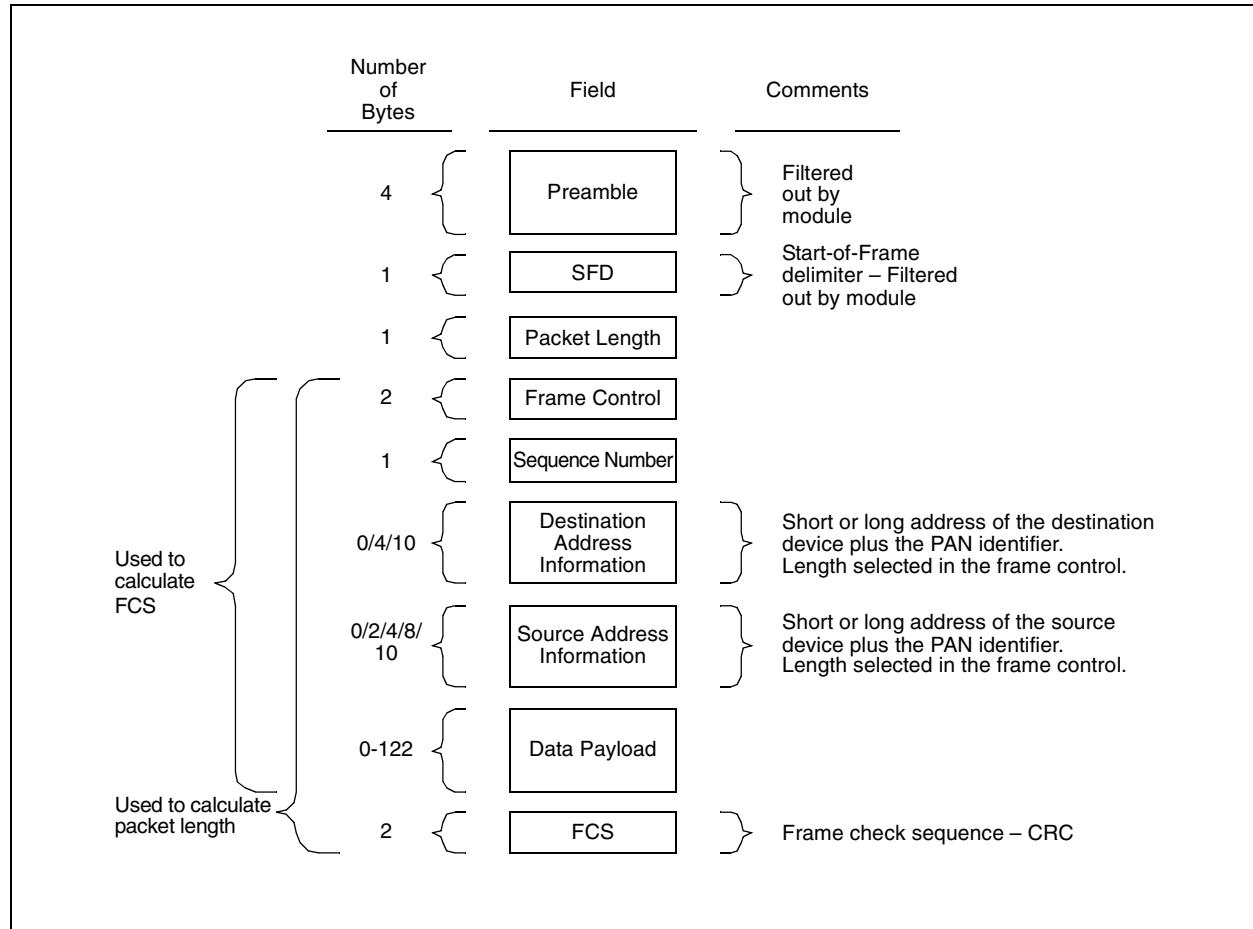
5.1 Overview

Before discussing the use of the MRF24J40, it may be helpful to review the structure of a typical data frame. Users requiring more information should refer to the IEEE 802.15.4 Standard.

5.2 Packet Format

Normal IEEE 802.15.4 compliant packets are between 5 and 127 bytes long. They are made up of several possible fields: destination address information, source address information, a length field, data payload and a Cyclic Redundancy Check (CRC). Additionally, a 4-byte preamble field and Start-of-Frame Delimiter (SFD) byte are appended to the beginning of the packet. Thus, traffic seen on the air will appear as shown in Figure 5-1.

FIGURE 5-1: PACKET FORMAT



MRF24J40

5.2.1 PREAMBLE/START-OF-FRAME DELIMITER

When transmitting and receiving data with the MRF24J40, the preamble and Start-of-Frame delimiter bytes will automatically be generated or stripped from the packets when they are transmitted or received. The host controller does not need to concern itself with them. Normally, the host controller will also not need to concern itself with the CRC, which the MRF24J40 will also be able to automatically generate when transmitting and verify when receiving. The CRC fields will, however, be written into the receive buffer when packets arrive, so they may be evaluated by the host controller if needed.

5.2.2 LENGTH

The length field is a 1-byte field which defines the size of the packet excluding itself, the preamble and SFD, but including all other bytes of the packet, including FCS.

5.2.3 FRAME CONTROL

The frame control field describes the format of this packet. It defines the type of packet (beacon, data, ACK, etc.) the addressing modes used, if the packet is encrypted or not, if the packet requires an ACK and if the packet is an intra-PAN network. This information is used by the host controller to determine how to decipher the data that follows the frame control field.

5.2.4 SEQUENCE NUMBER

The sequence number field is a 1-byte sequence number that distinguishes packets. The sequence number field is used in the Acknowledgement process. An ACK packet contains no addressing information, so the uniqueness of the sequence number is the sole determining factor for verifying that a packet reached its destination. The MRF24J40 has an Auto-Acknowledgement feature that is described in **Section 7.1 “Transmitting Packets”**.

5.2.5 DESTINATION ADDRESS INFORMATION

The destination address fields of an IEEE 802.15.4 packet can change depending on the frame control field of that packet. The frame control field can specify that no destination address is present, or can specify that the short address (2 bytes) or long address (8 bytes) is present. In all cases where an address is specified, the destination PAN identifier will also be included. On incoming packets, the MRF24J40 will filter out packets that do not match the preconfigured addressing information for that radio. This eliminates any software intervention for packets that do not meet the addressing requirements. When transmitting the host controller is required to write the appropriate destination address into the transmit buffer.

5.2.6 SOURCE ADDRESS INFORMATION

The source address fields of an IEEE 802.15.4 packet can change depending on the frame control field of that packet. The frame control field can specify that no destination address is present, or can specify that the short address (2 bytes) or long address (8 bytes) is present. The frame control can also specify, by using the intra-PAN bit, that the source PAN matches the destination PAN and is thus, not included in the packet.

Long addresses consist of two portions. The first three bytes are known as the Extended Organizationally Unique Identifier (EUI). EUIs are distributed by the IEEE 802.15.4. The last five bytes are address bytes which can contain the needed requirements at the discretion of the company that purchased the EUI.

When transmitting packets, the assigned source long or short address, depending on the setting of the frame control field, must be written into the transmit buffer by the host controller. The MRF24J40 will not automatically include the source address information.

5.2.7 DATA

The data section of the packet can vary in length from 0 bytes to 122 bytes. Packets that exceed 127 bytes, including the frame control, source addressing, destination addressing, data and FCS fields, will be filtered out by the MRF24J40.

5.2.8 FCS

The FCS field is a 2-byte field which contains an industry standard, 16-bit CRC calculated with the data from the frame control, sequence number, destination, source, and data fields. When receiving packets, the MRF24J40 will check the CRC of each incoming packet. If the $\overline{\text{RXCRCEN}}$ bit ($\text{RXMCR}<1>$) is cleared, packets with invalid CRCs will automatically be discarded. If RXCRCEN is set, and the packet meets all other receive filtering criteria, the packet will be written into the receive buffer and the host controller will be able to determine if the CRC was valid by reading the receive status vector (see **Section 7.3 “Receiving Packets”**).

When transmitting packets, the MRF24J40 will automatically generate a valid CRC and transmit it attached to the end of the packet if the $\overline{\text{TXCRCEN}}$ bit ($\text{RXMCR}<7>$) is cleared.

6.0 INITIALIZATION

6.1 Overview

Before the MRF24J40 can be used to transmit and receive packets, certain device settings must be initialized. Depending on the application, some configuration options may need to be changed. Normally, these tasks may be accomplished once after Reset and do not need to be changed thereafter.

6.2 Receive Filters

To minimize the processing requirements of the host controller, the MRF24J40 incorporates several different receive filters which can automatically reject packets which are not needed. These options are controlled through the RXMCR register.

REGISTER 6-1: RXMCR: RECEIVE FILTER CONTROL REGISTER

R/W-0	R/W-0	R/W-0	R/W-0	R/W-0	R/W-0	R/W-0	R/W-0
$\overline{\text{TXCRCEN}}$	r	$\overline{\text{ACKEN}}$	r	PANCOORD	COORD	$\overline{\text{RXCRCEN}}$	PROMI
bit 7							bit 0

Legend:

R = Readable bit	W = Writable bit	U = Unimplemented bit, read as '0'
-n = Value at POR	'1' = Bit is set	'0' = Bit is cleared
		x = Bit is unknown

- bit 7 **$\overline{\text{TXCRCEN}}$** : No CRC Data with Normal FIFO bit
 1 = CRC is disabled for the TX FIFO
 0 = CRC is enabled for the TX FIFO
- bit 6 **Reserved**: Maintain as '0'
- bit 5 **$\overline{\text{ACKEN}}$** : No ACK Respond in Any Case bit
 1 = ACK response is always disabled
 0 = ACK response enabled. ACKs are returned when they are requested.
- bit 4 **Reserved**: Maintain as '0'
- bit 3 **PANCOORD**: PAN Coordinator bit
 1 = Set as PAN coordinator
 0 = Not set as PAN coordinator
- bit 2 **COORD**: Coordinator bit
 1 = Set as coordinator
 0 = Not set as coordinator
- bit 1 **$\overline{\text{RXCRCEN}}$** : Error Report bit
 1 = RX all kinds of PKT (including CRC error)
 0 = Only RX PKT (CRC ok)
- bit 0 **PROMI**: RX All Kinds of PKT bit (CRC ok)
 1 = RX all kinds of PKT (CRC ok)
 0 = Discard PKT when there is a MAC address mismatch, illegal frame type, dPAN/span or MAC short address mismatch

MRF24J40

6.3 PHY Initialization

The physical layer of the MRF24J40 controls the current levels going to different sections of the device, as well as thresholds and controls used in packet reception and transmission. There are several registers that may require modification in order to operate in the application's intended mode.

Note: The RSSI threshold defaults to '0', however, it can be set to a user-defined RSSI threshold limit. Please note, any RSSI value resulting from a CCA request that is below the RSSI threshold limit will result in a failure.

REGISTER 6-2: RFCTRL2: RF CONTROL REGISTER 2

R/W-0	R/W-0	R/W-0	R/W-0	R/W-0	U-0	U-0	U-0
RFPLL ⁽¹⁾	r	r	r	r	—	—	—
bit 7							bit 0

Legend:

R = Readable bit W = Writable bit U = Unimplemented bit, read as '0'
 -n = Value at POR '1' = Bit is set '0' = Bit is cleared x = Bit is unknown

bit 7 **RFPLL:** RF-PLL Control bit⁽¹⁾
 1 = PLL enabled
 0 = PLL disabled

bit 6-3 **Reserved:** Maintain as '0'

bit 2-0 **Unimplemented:** Read as '0'

Note 1: PLL must be enabled for RF reception or transmission.

REGISTER 6-3: RFCTRL3: RF CONTROL REGISTER 3

R/W-0	R/W-0	R/W-0	R/W-0	R/W-0	U-0	U-0	U-0
TXPOWER<7:3>					—	—	—
bit 7							bit 0

Legend:

R = Readable bit W = Writable bit U = Unimplemented bit, read as '0'
 -n = Value at POR '1' = Bit is set '0' = Bit is cleared x = Bit is unknown

bit 7-3 **TXPOWER7:TXPOWER3:** Small Scale Control for TX Power in dB bits
 00000 = 0 dB
 00001 = -1.25 dB
 00010 = -2.5 dB
 00011 = -3.75 dB
 00100 = -5 dB
 00101 = -6.25 dB
 00110 = -7.5 dB
 00111 = -8.75 dB
 ...
 11111 = -38.75 dB

bit 2-0 **Unimplemented:** Read as '0'

REGISTER 6-4: RFCTRL6: RF CONTROL REGISTER 6

R/W-0	U-0	R/W-0	R/W-0	R/W-0	U-0	U-0	U-0
TXFIL	—	r	r	BATMONEN	—	—	—
bit 7							bit 0

Legend:

R = Readable bit W = Writable bit U = Unimplemented bit, read as '0'
 -n = Value at POR '1' = Bit is set '0' = Bit is cleared x = Bit is unknown

- bit 7 **TXFIL:** TX Filter Control bit
Recommended value: '1'.
- bit 6 **Unimplemented:** Read as '0'
- bit 5-4 **Reserved:** Maintain as '0'
- bit 3 **BATMONEN:** Battery Monitor Enable bit
1 = Enabled
0 = Disabled
- bit 2-0 **Unimplemented:** Read as '0'

REGISTER 6-5: RFCTRL8: RF CONTROL REGISTER 8

U-0	U-0	U-0	R/W-0	U-0	U-0	U-0	R/W-0
—	—	—	RF_VCO	—	—	—	SLPCLKOUT
bit 7							bit 0

Legend:

R = Readable bit W = Writable bit U = Unimplemented bit, read as '0'
 -n = Value at POR '1' = Bit is set '0' = Bit is cleared x = Bit is unknown

- bit 7-5 **Unimplemented:** Read as '0'
- bit 4 **RF_VCO:** VCO Control bit
1 = Enhanced VCO (recommended)
0 = Normal VCO
- bit 3-1 **Unimplemented:** Read as '0'
- bit 0 **SLPCLKOUT:** 20 MHz Reference Output Clock Source bit
1 = Stabilize CLKOUT while recovering from Sleep
0 = Stabilize CLKOUT after a wake from Sleep

REGISTER 6-6: RSSITHCCA: RSSI THRESHOLD FOR CCA REGISTER

R/W-0	R/W-0	R/W-0	R/W-0	R/W-0	R/W-0	R/W-0	R/W-0
RSSITHRES<7:0>							
bit 7							bit 0

Legend:

R = Readable bit W = Writable bit U = Unimplemented bit, read as '0'
 -n = Value at POR '1' = Bit is set '0' = Bit is cleared x = Bit is unknown

- bit 7-0 **RSSITHRES7:RSSITHRES0:** RSSI Threshold for CCA/ED Mode bits

MRF24J40

6.4 MAC Initialization

The medium access control layer of the MRF24J40 consists of several registers that define how this device operates on an IEEE 802.15.4 network.

6.4.1 DEVICE CONFIGURATION

The RXMCR, described in **Section 6.2 “Receive Filters”**, should be set to the appropriate value for the intended device operation. If the device is operating as a PAN coordinator, the PANCOORD bit should be set. If the device is operating as a coordinator, then the COORD bit should be set.

6.4.2 CHANNEL SELECTION

The operational channel is selected using the RFCTRL0 register.

REGISTER 6-7: RFCTRL0: RF CONTROL REGISTER 0

R/W-0	R/W-0	R/W-0	R/W-0	U-0	U-0	U-0	U-0
CHANNEL<7:4>				—	—	—	—
bit 7				bit 0			

Legend:

R = Readable bit W = Writable bit U = Unimplemented bit, read as '0'
 -n = Value at POR '1' = Bit is set '0' = Bit is cleared x = Bit is unknown

bit 7-4 **CHANNEL7:CHANNEL4:** Channel Number bits

00000 = Channel 11
 00001 = Channel 12
 00010 = Channel 13
 ...
 11111 = Channel 26

bit 3-0 **Unimplemented:** Read as '0'

REGISTER 6-8: RFCTL: RF MODE CONTROL REGISTER

W-0	U-0	U-0	R/W-0	R/W-0	R/W-0	R/W-0	R/W-0
r	—	—	r	r	RFRST	r	r
bit 7			bit 0				

Legend:

R = Readable bit W = Writable bit U = Unimplemented bit, read as '0'
 -n = Value at POR '1' = Bit is set '0' = Bit is cleared x = Bit is unknown

bit 7 **Reserved:** Maintain as '0'

bit 6-5 **Unimplemented:** Read as '0'

bit 4-3 **Reserved:** Maintain as '0'

bit 2 **RFRST:** RF Reset bit
 1 = Reset RF (turn off RF)
 0 = Normal operation

bit 1-0 **Reserved:** Maintain as '0'

REGISTER 6-9: BBREG2: BASEBAND CCA/RSSI MODE REGISTER 2

R/W-0	R/W-0	R/W-0	R/W-0	R/W-0	R/W-0	U-0	U-0
CCAMODE<7:6>		CCATHRES<5:2>				—	—
bit 7							bit 0

Legend:

R = Readable bit	W = Writable bit	U = Unimplemented bit, read as '0'
-n = Value at POR	'1' = Bit is set	'0' = Bit is cleared
		x = Bit is unknown

- bit 7-6 **CCAMODE7:CCAMODE6:** CCA Mode bits
 00 = Reserved
 01 = CCA Mode 1, carrier sense only
 10 = CCA Mode 2, energy above threshold
 11 = CCA Mode 3, carrier sense with energy above threshold
- bit 5-2 **CCATHRES5:CCATHRES2:** CCA Carrier Sense Threshold bits
 CCA/CS value set to 0xE or '1110'.
- bit 1-0 **Unimplemented:** Read as '0'

REGISTER 6-10: BBREG6: BASEBAND RSSI MODE REGISTER 6

R/W-0	R/W-0	R/W-0	R/W-0	R/W-0	R/W-0	R/W-0	R-1
RSSIREQ	RXRSSI	r	r	r	r	r	RSSIRDY
bit 7							bit 0

Legend:

R = Readable bit	W = Writable bit	U = Unimplemented bit, read as '0'
-n = Value at POR	'1' = Bit is set	'0' = Bit is cleared
		x = Bit is unknown

- bit 7 **RSSIREQ:** RSSI Mode 1 bit
 1 = Initiate an RSSI calculation (write back to '0' when complete)
 0 = Otherwise
- bit 6 **RXRSSI:** RSSI Mode 2 bit
 1 = Calculating RSSI for RX packet
 0 = No calculating RSSI for RX packet
- bit 5-1 **Reserved:** Maintain as '0'
- bit 0 **RSSIRDY:** RSSI Ready Signal Firmware Request bit
 1 = RSSI value ready
 0 = Otherwise

MRF24J40

6.4.3 LONG ADDRESSES

Every device in the world has a unique long address. Long addresses are described in more detail in **Section 5.2.5 “Destination Address Information”** and **Section 5.2.6 “Source Address Information”**. EADR0-EADR7 are eight short RAM address registers in the MRF24J40 that are used to define the device’s long address. These addresses should be loaded into the device during the device configuration. The MRF24J40 will automatically filter out any long address packets that do not match the contents of EADR0-EADR7.

6.4.4 SHORT ADDRESS AND PAN ID

The device’s short address and PAN ID are programmed into the MRF24J40 through the SADRL, SADRH, PANIDL and PANIDH registers. These registers are

located in the short RAM address space. The MRF24J40 automatically filters out packets that are specified as short address destinations with addresses that do not match these registers. The exception to this rule is packets with the broadcast short address (FFFFh) and/or the broadcast PAN ID (FFFFh). Packets that match the short address and have the broadcast PAN ID will be accepted, as well as packets with the broadcast short address that match the PAN ID. A true broadcast packet will have both the short address and PAN ID set to the broadcast address. The MRF24J40 will also receive these packets no matter what the setting of the short address and PAN ID registers.

Example 6-1 shows how to initialize the MRF24J40.

REGISTER 6-11: PANIDL: MAC PAN LOW BYTE REGISTER

R/W-0	R/W-0	R/W-0	R/W-0	R/W-0	R/W-0	R/W-0	R/W-0
MAC PAN Low Byte (PANL<7:0>)							
bit 7							bit 0

Legend:

R = Readable bit	W = Writable bit	U = Unimplemented bit, read as ‘0’
-n = Value at POR	‘1’ = Bit is set	‘0’ = Bit is cleared x = Bit is unknown

bit 7-0 **PANL7: PANL0:** Lower Byte of PAN Address bits

REGISTER 6-12: PANIDH: MAC PAN HIGH BYTE REGISTER

R/W-0	R/W-0	R/W-0	R/W-0	R/W-0	R/W-0	R/W-0	R/W-0
MAC PAN High Byte (PANH<15:8>)							
bit 7							bit 0

Legend:

R = Readable bit	W = Writable bit	U = Unimplemented bit, read as ‘0’
-n = Value at POR	‘1’ = Bit is set	‘0’ = Bit is cleared x = Bit is unknown

bit 7-0 **PANH15: PANH8:** Higher Byte of PAN Address bits

REGISTER 6-13: SADRL: MAC SHORT ADDRESS LOW BYTE REGISTER

R/W-0	R/W-0	R/W-0	R/W-0	R/W-0	R/W-0	R/W-0	R/W-0
MAC Short Address Low Byte (SADDRL<7:0>)							
bit 7							bit 0

Legend:

R = Readable bit	W = Writable bit	U = Unimplemented bit, read as '0'
-n = Value at POR	'1' = Bit is set	'0' = Bit is cleared
		x = Bit is unknown

bit 7-0 **SADDRL7:SADDRL0:** Lower Byte of Short Address bits

REGISTER 6-14: SADDRH: MAC SHORT ADDRESS HIGH BYTE REGISTER

R/W-0	R/W-0	R/W-0	R/W-0	R/W-0	R/W-0	R/W-0	R/W-0
MAC Short Address High Byte (SADDRH<15:8>)							
bit 7							bit 0

Legend:

R = Readable bit	W = Writable bit	U = Unimplemented bit, read as '0'
-n = Value at POR	'1' = Bit is set	'0' = Bit is cleared
		x = Bit is unknown

bit 7-0 **SADDRH15:SADDRH8:** Higher Byte of Short Address bits

MRF24J40

EXAMPLE 6-1: INITIALIZING THE MRF24J40

```
void MRF24J40Init(void)
{
    BYTE i;
    WORD j;

    /* place the device in hardware reset */
    RESETEn = 0;
    for(j=0;j<(WORD)300;j++){

    /* remove the device from hardware reset */
    RESETEn = 1;
    for(j=0;j<(WORD)300;j++){

    /* reset the RF module */
    SetShortRAMAddr(RFCTL,0x04);
    /* remove the RF module from reset */
    SetShortRAMAddr(RFCTL,0x00);

    /* flush the RX fifo */
    SetShortRAMAddr(WRITE_RXFLUSH,0x01);

    /* Program the short MAC Address, 0xffff */
    SetShortRAMAddr(SADRL,0xFF);
    SetShortRAMAddr(SADRH,0xFF);
    SetShortRAMAddr(PANIDL,0xFF);
    SetShortRAMAddr(PANIDH,0xFF);

    /* Program Long MAC Address*/
    for(i=0;i<(BYTE)8;i++)
    {
        SetShortRAMAddr(EADR0+i*2,myLongAddress[i]);
    }

    /* enable the RF-PLL */
    SetLongRAMAddr(RFCTRL2,0x80);

    /* set TX for max output power */
    SetLongRAMAddr(RFCTRL3,0x00);

    /* enabled TX filter control */
    SetLongRAMAddr(RFCTRL6,0x80);

    SetLongRAMAddr(RFCTRL8,0b00010000);

    /* Program CCA mode using RSSI */
    SetShortRAMAddr(BBREG2,0x78);
    /* Enable the packet RSSI */
    SetShortRAMAddr(BBREG6,0x40);

    /* Program CCA, RSSI threshold values */
    SetShortRAMAddr(RSSITHCCA,0x00);

    SetLongRAMAddr(RFCTRL0,0x00); //channel 11

    SetShortRAMAddr(RFCTL,0x04); //reset the RF module with new settings
    SetShortRAMAddr(RFCTL,0x00);
}
```

7.0 TRANSMITTING AND RECEIVING PACKETS

7.1 Transmitting Packets

The MAC inside the MRF24J40 will automatically generate the preamble and Start-of-Frame delimiter fields when transmitting. Additionally, the MAC can generate any padding (if needed), and the CRC, if configured to do so. The host controller must generate and write all other frame fields into the buffer memory for transmission. Before transmitting packets, the MAC registers, which alter the transmission characteristics, should be initialized as documented in **Section 6.0 “Initialization”**.

7.2 TX FIFO Format

The TX MAC performs three major tasks conforming to IEEE 802.15.4:

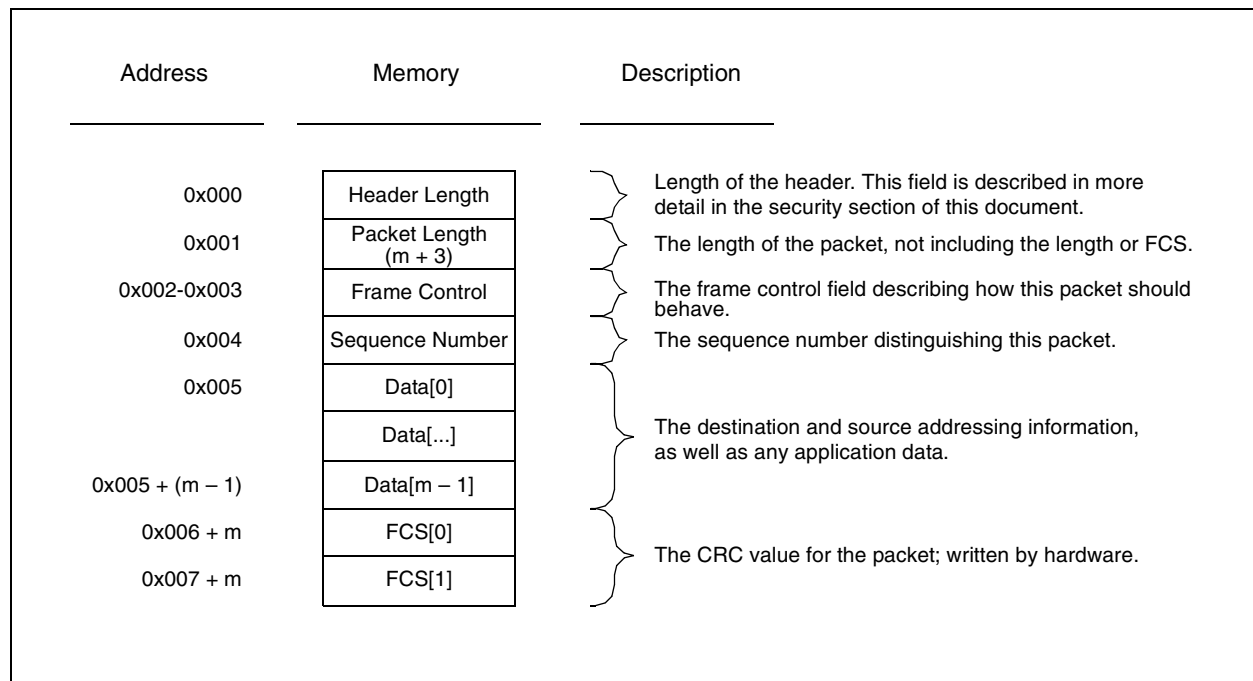
- TX FIFO Control
- Automatic CSMA-CA and Timing Alignments
- Hardware Superframe Handling

For TX FIFO control function, TX MAC controls 4 FIFOs, including beacon, normal and 2 GTS FIFOs. When each FIFO is triggered, TX MAC performs a CSMA-CA algorithm, sends a packet to the Transmit Baseband (TXBB) at the right time, handles the retransmission if an ACK is required but not received and generates FCS bytes automatically.

The automatic CSMA-CA algorithm performs timing alignments, such as LIFS, SIFS and ACK turnaround time. The user can simply program parameters for the CSMA-CA algorithm. The TX MAC will perform automatically according these parameters.

For hardware superframe handling, TX MAC builds up the timing frame of a superframe. It includes CAP, CFP, INACTIVE and each time slot. TX MAC sends beacon, normal and GTS FIFOs at the right time, automatically, at each transmission. This largely reduces the complexity of the Beacon Enable mode of IEEE 802.15.4.

FIGURE 7-1: TRANSMIT PACKET LAYOUT



MRF24J40

7.2.1 TRIGGER PACKET TRANSMISSION

The MRF24J40 handles the Clear Channel Assessment (CCA) and Carrier Sense Multiple Access Collision Avoidance (CSMA-CA) algorithms in hardware. The MRF24J40 also handles automatic retransmission of packets that require an ACK. If the frame control field

of the packet requires an ACK, the ACKREQ bit (TXNMTRIG<2>) needs to be set before transmission. Once the TX FIFO is loaded with the data to transmit the TXRTS bit (TXNMTRIG<0>) is used to transmit the packet.

REGISTER 7-1: TXNMTRIG: TRIGGER AND SETTING FOR NORMAL FRAME (CAP) REGISTER

U-0	U-0	U-0	R-0	R/W-0	R/W-0	R/W-0	W-0	
—	—	—	PENDACK	INDIRECT ⁽¹⁾	ACKREQ ⁽¹⁾	SECEN ⁽¹⁾	TXRTS	
bit 7								bit 0

Legend:

R = Readable bit

W = Writable bit

U = Unimplemented bit, read as '0'

-n = Value at POR

'1' = Bit is set

'0' = Bit is cleared

x = Bit is unknown

bit 7-5 **Unimplemented:** Read as '0'

bit 4 **PENDACK:** Data Pending Status in ACK bit

Status of the data pending bit in ACK from previous transmission. This bit is reset by hardware on the next transmission.

1 = Data pending bit was set

0 = Data pending bit was cleared

bit 3 **INDIRECT:** Activate Indirect Transmission bit⁽¹⁾

1 = Indirect transmission enabled

0 = Indirect transmission disabled

bit 2 **ACKREQ:** TX Packet in TXN FIFO needs ACK Response bit⁽¹⁾

1 = ACK requested

0 = No ACK requested

bit 1 **SECEN:** Secure Current TX Packet bit⁽¹⁾

1 = Secure packet

0 = Send packet without securing it

bit 0 **TXRTS:** Trigger TX MAC to Send the Packet in TX FIFO bit

1 = Send the packet in the TX FIFO, automatically cleared by hardware

Note 1: This bit is cleared at the next triggering of TXN FIFO.

7.2.2 TRANSMISSION STATUS

When a transmission completes, the TXIF flag of the ISRSTS register will become set. Once the TXIF bit is set, the status of the transmission is located in the TXSR register.

REGISTER 7-2: TXSR: TX MAC STATUS REGISTER

R-0	R-0	R-0	R-0	R-0	R-0	R-0	R-0	
TXRETRY<7:6>		CCAFAIL	r	r	r	r	r	
bit 7								bit 0

Legend:

R = Readable bit	W = Writable bit	U = Unimplemented bit, read as '0'
-n = Value at POR	'1' = Bit is set	'0' = Bit is cleared
		x = Bit is unknown

- bit 7-6 **TXRETRY7:TXRETRY6:** Retry Times bits
Defines the retry times of the most recent TXN FIFO transmission.
- bit 5 **CCAFAIL:** Clear Channel Assessment (CCA) Status of Last Transmission bit
1 = CCA failed
0 = CCA passed
- bit 4-0 **Reserved:** Maintain as '0'

7.3 Receiving Packets

The following section details the reception of a non-secured frame. When the MRF24J40 receives a packet that passes the MAC layer addressing, threshold and packet type filters, it will indicate the reception of this packet to the host controller by setting the RXIF bit (ISRSTS<3>). The packet will remain in the buffer until the host frees the buffer. No other packets can be received while the buffer is holding a packet.

7.4 RX MAC

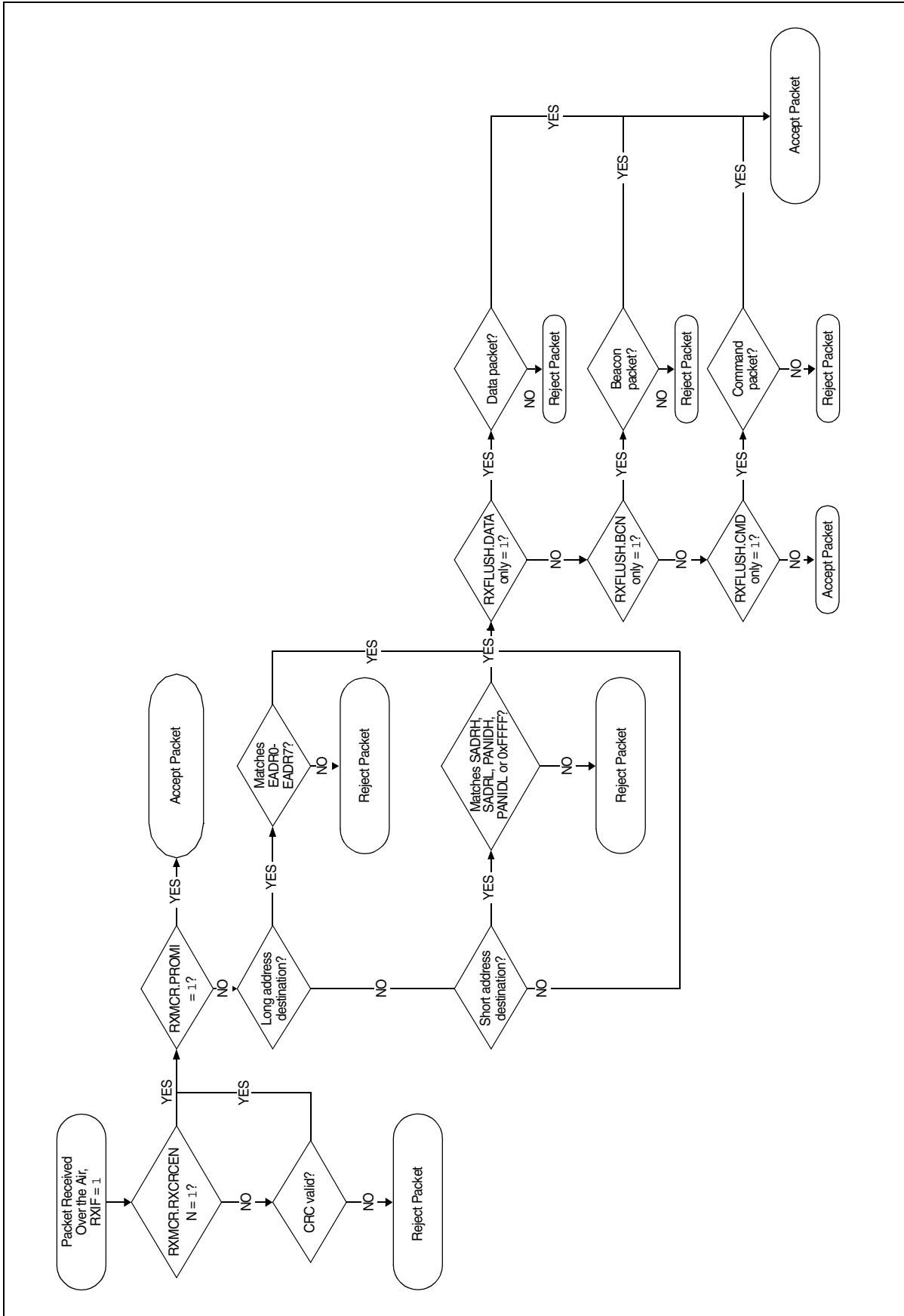
The RX MAC block will do CRC checking, parse the received frame type and address recognition, then store the received frame into RX FIFO. In addition to the IEEE 802.15.4 packet, there are also 2 bytes of information that are appended to the end of the packet after the FCS field: LQI and RSSI.

The behavior of RX FIFO follows a certain rule. When a received packet is not filtered or dropped, a received interrupt/status will be issued. The interrupt is read-to-clear to save host operation time. However, the RX FIFO is flushed only using the following three methods:

- The host reads the first byte and the last byte to the packet
- The host issues RX flush
- A software is reset

For RX filter function, the Promiscuous mode is supported to receive all FCS-ok packets. An Error mode is supported to receive all packets that successfully correlated PHY level preamble and delimiter.

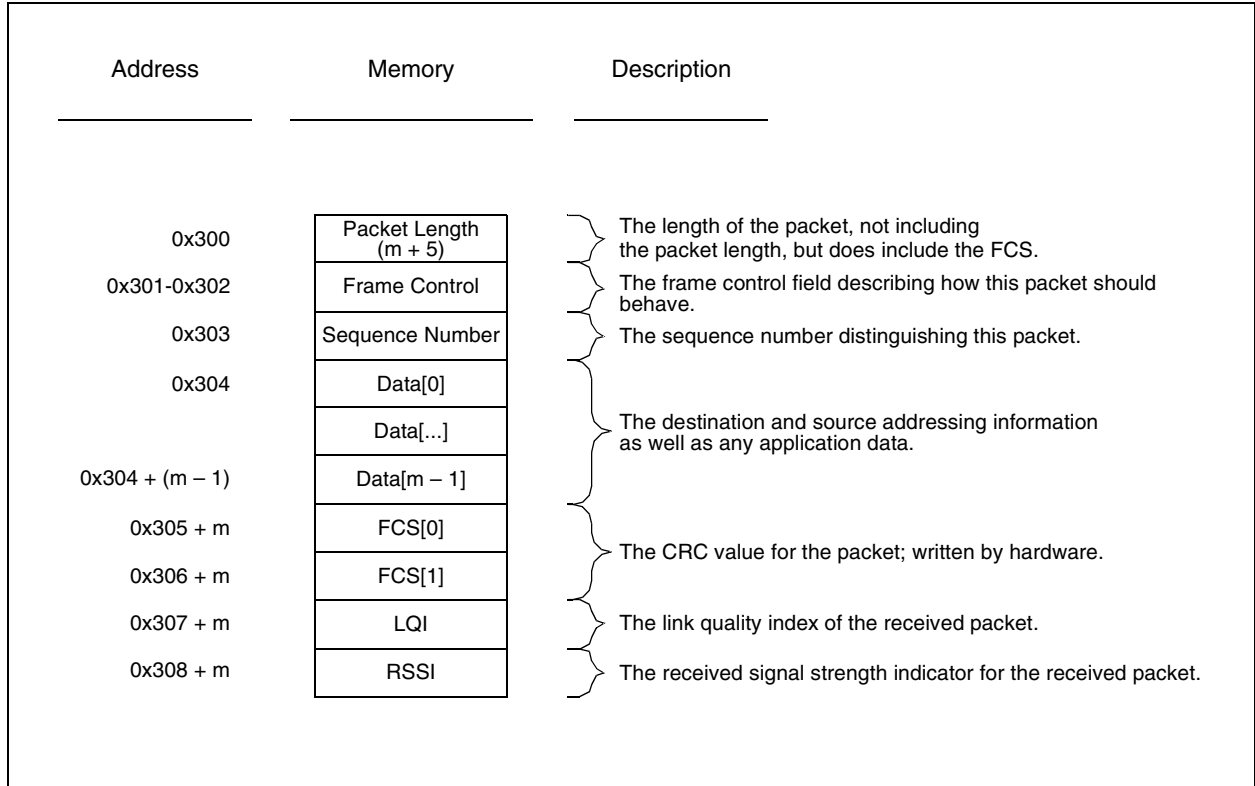
FIGURE 7-2: RECEIVE PROCESS



7.4.1 RECEIVE PACKET LAYOUT

When a packet passes all of the enabled filters, it is placed in the receive FIFO in the following format.

FIGURE 7-3: RECEIVE PACKET LAYOUT.



MRF24J40

7.4.2 FREEING RECEIVE BUFFER SPACE

The RX buffer is cleared when the length byte of the packet and the last byte of the FCS are read. Once both of these values are read from the RX buffer, the buffer will enable itself to receive another packet. Because the LQI and RSSI values are appended to the end of

the packet after the FCS, it may be advisable to read these values out of the RX buffer before reading the FCS.

Alternatively, it is possible to clear the RX buffer by flushing it. This is done through the RXFLUSH register.

REGISTER 7-3: RXFLUSH: RECEIVE FIFO FLUSH REGISTER

U-0	R/W-0	R/W-0	R/W-0	R/W-0	R/W-0	R/W-0	W-0
—	r	r	RXWRTBLK	CMDBONLY	DATAONLY	BCNONLY	RXFLUSH
bit 7							bit 0

Legend:

R = Readable bit
-n = Value at POR

W = Writable bit
'1' = Bit is set

U = Unimplemented bit, read as '0'
'0' = Bit is cleared
x = Bit is unknown

bit 7	Unimplemented: Read as '0'
bit 6-5	Reserved: Maintain as '0'
bit 4	RXWRTBLK: Software Write to RX FIFO Address bit 1 = Writing to any RX FIFO address is enabled 0 = Writing to any RX FIFO address is disabled
bit 3	CMDBONLY: Command Packet Receive bit 1 = Only command packets are received, all other packets are filtered out 0 = All valid packets are received
bit 2	DATAONLY: Data Packet Receive bit 1 = Only data packets are received, all other packets are filtered out 0 = All valid packets are received
bit 1	BCNONLY: Beacon Packet Receive bit 1 = Only beacon packets are received, all other packets are filtered out 0 = All valid packets are received
bit 0	RXFLUSH: Flush RX FIFO Address bit 1 = Flush the RX FIFO. Cleared by hardware. 0 = Previous flush complete

7.5 Transceiver

The MRF24J40 receiver features a low IF architecture and consists of an LNA, a pair of down conversion mixers, polyphase channel filters, baseband limiter amplifiers and RSSI technology. An ADC is used to sample the RSSI value and the sampled data is stored in a register from which the data can be read out via the SPI bus. The local oscillator generation circuits (VCO, PLL and buffers) are shared with the receiver and

transmitter. The Low Noise Amplifier (LNA) features a differential input for high performance. The RX/TX switch is integrated and LNA input and Power Amplifier (PA) output share the same pins. A common external matching network and single-ended to differential conversion is required. The transmitter features a direct conversion architecture and has a 0 to -38.75 dBm output power. The output power adjustment is in 1.25 dB step. The TX gain is programmed by the SPI bus.

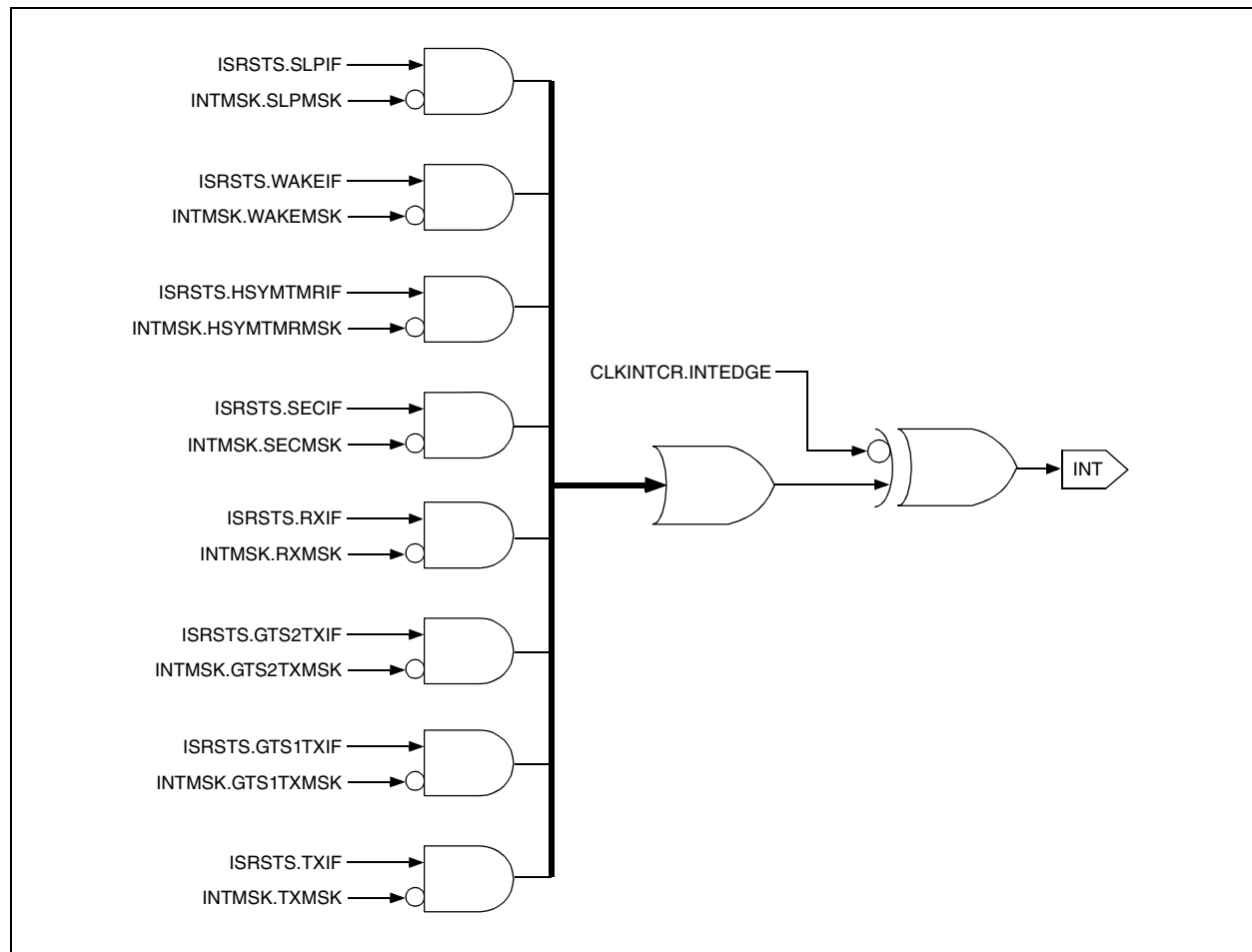
8.0 INTERRUPTS

The MRF24J40 has a simple interrupt structure. There is one interrupt pin that signals all of the possible events. The ISRSTS register is a read-to-clear register that specifies which interrupt(s) caused the interrupt. The INTMSK register is used to block unwanted interrupt sources from generating interrupts. The INTEDGE bit (CLKINTCR<1>) controls the polarity of the interrupt pin. Once ISRSTS is read by the host controller, the interrupt flags are cleared. The host controller should make certain to handle all returned flags each time the ISRSTS register is read.

8.1 Interrupt Structure

When an enabled interrupt occurs, the interrupt pin will remain at its interrupt state, as determined by the INTEDGE bit, until all of the flags which are causing the interrupt are cleared or masked off (the mask bits are set) by the host controller. If more than one interrupt source is enabled, the host controller must poll each flag in the ISRSTS register to determine the source(s) of the interrupt.

FIGURE 8-1: MRF24J40 INTERRUPT LOGIC



MRF24J40

8.1.1 INT INTERRUPT STATUS REGISTERS

The registers associated with the INT interrupts are shown in Register 8-1, Register 8-2 and Register 8-3.

REGISTER 8-1: ISRSTS: INTERRUPT STATUS REGISTER

RC-0	RC-0	RC-0	RC-0	RC-0	RC-0	RC-0	RC-0
SLPIF	WAKEIF	HSYMTMRIF	SECIF	RXIF	GTS2TXIF	GTS1TXIF	TXIF
bit 7							bit 0

Legend:	RC = Read to clear		
R = Readable bit	W = Writable bit	U = Unimplemented bit, read as '0'	
-n = Value at POR	'1' = Bit is set	'0' = Bit is cleared	x = Bit is unknown

- bit 7 **SLPIF:** Sleep Alert Interrupt bit
 1 = Sleep alert interrupt occurred
 0 = Otherwise
- bit 6 **WAKEIF:** Wake-up Alert Interrupt bit
 1 = Wake-up interrupt occurred
 0 = Otherwise
- bit 5 **HSYMTMRIF:** Half Symbol Timer Interrupt bit
 1 = Half symbol timer interrupt occurred
 0 = Otherwise
- bit 4 **SECIF:** Security Key Request Interrupt bit
 1 = Security key request interrupt occurred
 0 = Otherwise
- bit 3 **RXIF:** RX OK Interrupt bit
 1 = RX OK interrupt occurred
 0 = Otherwise
- bit 2 **GTS2TXIF:** GTS FIFO 2 Release Interrupt bit
 1 = GTS2 transmission interrupt occurred
 0 = Otherwise
- bit 1 **GTS1TXIF:** GTS FIFO 1 Release Interrupt bit
 1 = GTS1 transmission interrupt occurred
 0 = Otherwise
- bit 0 **TXIF:** TX FIFO Release Interrupt bit
 1 = TX FIFO transmission interrupt occurred
 0 = Otherwise

REGISTER 8-2: INTMSK: INTERRUPT MASK REGISTER

R/W-1	R/W-1	R/W-1	R/W-1	R/W-1	R/W-1	R/W-1	R/W-1
SLPMSK	WAKEMSK	HSYMTMRMSK	SECMSK	RXMSK	GTS2TXMSK	GTS1TXMSK	TXMSK
bit 7							bit 0

Legend:

R = Readable bit
-n = Value at POR

W = Writable bit
'1' = Bit is set

U = Unimplemented bit, read as '0'
'0' = Bit is cleared

x = Bit is unknown

- bit 7 **SLPMSK:** Sleep Alert Mask bit
0 = Enable Sleep interrupt
1 = Otherwise
- bit 6 **WAKEMSK:** Wake-up Alert Mask bit
0 = Enable Wake interrupt
1 = Otherwise
- bit 5 **HSYMTMRMSK:** Half Symbol Timer Mask bit
0 = Enable half symbol timer interrupt
1 = Otherwise
- bit 4 **SECMSK:** Security Interrupt Mask bit
0 = Enable security interrupt
1 = Otherwise
- bit 3 **RXMSK:** RX OK Mask bit
0 = Enable receive interrupt
1 = Otherwise
- bit 2 **GTS2TXMSK:** GTS FIFO 2 IRQ Mask bit
0 = Enable GTS FIFO 2 transmit interrupt
1 = Otherwise
- bit 1 **GTS1TXMSK:** GTS FIFO 1 IRQ Mask bit
0 = Enable GTS FIFO 1 transmit interrupt
1 = Otherwise
- bit 0 **TXMSK:** TX Normal FIFO IRQ Mask bit
0 = Enable normal FIFO transmit interrupt
1 = Otherwise

MRF24J40

REGISTER 8-3: CLKINTCR: SLPCLK ON/OFF AND INTERRUPT POLARITY REGISTER

U-0	U-0	U-0	U-0	U-0	U-0	R/W-0	R/W-0
—	—	—	—	—	—	INTEDGE	SLPCLKEN
bit 7						bit 0	

Legend:

R = Readable bit

W = Writable bit

U = Unimplemented bit, read as '0'

-n = Value at POR

'1' = Bit is set

'0' = Bit is cleared

x = Bit is unknown

bit 7-2 **Unimplemented:** Read as '0'bit 1 **INTEDGE:** Interrupt Edge Polarity bit

1 = Rising edge

0 = Falling edge

bit 0 **SLPCLKEN:** Sleep Clock Enable bit

1 = Disabled

0 = Enabled

9.0 GENERAL PURPOSE I/O

9.1 GPIO Registers

The MRF24J40 has 6 available, general purpose I/O pins. These pins are interfaced through the GPIO and TRISGPIO registers.

REGISTER 9-1: GPIO: GPIO PORT REGISTER

U-0	U-0	R/W-0	R/W-0	R/W-0	R/W-0	R/W-0	R/W-0
—	—	GPIO5	GPIO4	GPIO3	GPIO2	GPIO1	GPIO0
bit 7							bit 0

Legend:

R = Readable bit	W = Writable bit	U = Unimplemented bit, read as '0'
-n = Value at POR	'1' = Bit is set	'0' = Bit is cleared
		x = Bit is unknown

bit 7-6	Unimplemented: Read as '0'
bit 5	GPIO5: General Purpose I/O GPIO5 bit
bit 4	GPIO4: General Purpose I/O GPIO4 bit
bit 3	GPIO3: General Purpose I/O GPIO3 bit
bit 2	GPIO2: General Purpose I/O GPIO2 bit
bit 1	GPIO1: General Purpose I/O GPIO1 bit
bit 0	GPIO0: General Purpose I/O GPIO0 bit

EXAMPLE 9-1: READ/WRITE EXAMPLE

```
SetShortAddress(TRISGPIO,0x03); //set GPIO5-2 to output, and GPIO 1-0 as input
SetShortAddress(GPIO,0x01); //set GPIO0 high and GPIO1 as low.
```

MRF24J40

REGISTER 9-2: TRISGPIO: GPIO PIN DIRECTION AND SPI MODE REGISTER

U-0	U-0	R/W-0	R/W-0	R/W-0	R/W-0	R/W-0	R/W-0
—	—	TRISGP5	TRISGP4	TRISGP3	TRISGP2	TRISGP1	TRISGP0
bit 7							bit 0

Legend:

R = Readable bit

W = Writable bit

U = Unimplemented bit, read as '0'

-n = Value at POR

'1' = Bit is set

'0' = Bit is cleared

x = Bit is unknown

bit 7-6 **Unimplemented:** Read as '0'

bit 5 **TRISGP5:** General Purpose I/O GPIO5 Direction bit

1 = Output

0 = Input

bit 4 **TRISGP4:** General Purpose I/O GPIO4 Direction bit

1 = Output

0 = Input

bit 3 **TRISGP3:** General Purpose I/O GPIO3 Direction bit

1 = Output

0 = Input

bit 2 **TRISGP2:** General Purpose I/O GPIO2 Direction bit

1 = Output

0 = Input

bit 1 **TRISGP1:** General Purpose I/O GPIO1 Direction bit

1 = Output

0 = Input

bit 0 **TRISGP0:** General Purpose I/O GPIO0 Direction bit

1 = Output

0 = Input

10.0 ELECTRICAL CHARACTERISTICS

Absolute Maximum Ratings^(†)

Ambient temperature under bias	-40°C to +85°C
Storage temperature	-65°C to +150°C
Voltage on any combined digital and analog pin with respect to VSS (except VDD)	-0.3V to (VDD + 0.3V)
Voltage on VDD with respect to VSS	-0.3V to 3.6V
Total power dissipation (Note 1)	1.0W
Maximum output current sunk by GPIO1-GPIO5 pins	1 mA
Maximum output current sourced by GPIO1-GPIO5 pins	1 mA
Maximum output current sunk by GPIO0 pin	4 mA
Maximum output current sourced by GPIO0 pin	4 mA

Note 1: Power dissipation is calculated as follows:

$$P_{dis} = VDD \times \{I_{DD} - \sum I_{OH}\} + \sum \{(VDD - V_{OH}) \times I_{OH}\} + \sum (V_{OL} \times I_{OL})$$

† **NOTICE:** Stresses above those listed under “Absolute Maximum Ratings” may cause permanent damage to the device. This is a stress rating only and functional operation of the device at those or any other conditions above those indicated in the operation listings of this specification is not implied. Exposure to maximum rating conditions for extended periods may affect device reliability.

MRF24J40

TABLE 10-1: RECOMMENDED OPERATING CONDITIONS

Parameters	Min	Typ	Max	Units
Ambient Operating Temperature	-40	—	+85	°C
Supply Voltage for RF, Analog and Digital Circuits	2.4	—	3.6	V
Supply Voltage for Digital I/O	2.4	3.3	3.6	V
Input High Voltage (V _{IH})	0.5 x V _{DD}	—	V _{DD} + 0.3	V
Input Low Voltage (V _{IL})	-0.3	—	0.2 x V _{DD}	V

TABLE 10-2: CURRENT CONSUMPTION

Typical Values: T_A = 25°C, V_{DD} = 3.3V

Chip Mode	Condition	Min	Typ	Max	Units
Sleep		—	2	TBD	μA
TX	At maximum output power	—	22	TBD	mA
RX		—	18	TBD	mA

Legend: TBD = To Be Determined

TABLE 10-3: RECEIVER AC CHARACTERISTICS

Typical Values: T_A = 25°C, V_{DD} = 3.3V, LO Frequency = 2.445 GHz

Parameters	Condition	Min	Typ	Max	Units
RF Input Frequency		2.4	—	2.483	GHz
RF Sensitivity	At antenna input with Q-QPSK signal and 3.5 dB front end loss is assumed	—	-91	—	dBm
Maximum RF Input	LNA at high gain	+5	—	—	dBm
LO Leakage	Measured at balun matching network input at frequency 2.405-2.48 GHz	—	-60	—	dBm
Input Return Loss	Externally matched to 50 source by a balun matching network	-12	-20	—	dB
Noise Figure (including matching)		—	8	—	dB
Adjacent Channel Rejection	@ +/- 5 MHz	30	—	—	dB
Alternate Channel Rejection	@ +/- 10 MHz	40	—	—	dB
RSSI Range		—	50	—	dB
RSSI Error		-5	—	5	dB

TABLE 10-4: TRANSMITTER AC CHARACTERISTICS

Typical Values: TA = 25°C, VDD = 3.3V, LO Frequency = 2.445 GHz

Parameters	Condition	Min	Typ	Max	Units
RF Carrier Frequency		2.4	—	2.483	GHz
Maximum RF Output Power		—	0	—	dBm
RF Output Power Control Range		—	38.75	—	dB
TX Gain Control Resolution	Programmed by register	—	1.25	—	dB
Carrier Suppression		—	-30	—	dBc
TX Spectrum Mask for O-QPSK Signal	Offset frequency > 3.5 MHz, at 0 dBm output power	-33	—	—	dBm
TX EVM		—	—	25	%
TX Noise Floor		—	—	-126	dBm/Hz

FIGURE 10-1: EXAMPLE SPI SLAVE MODE TIMING

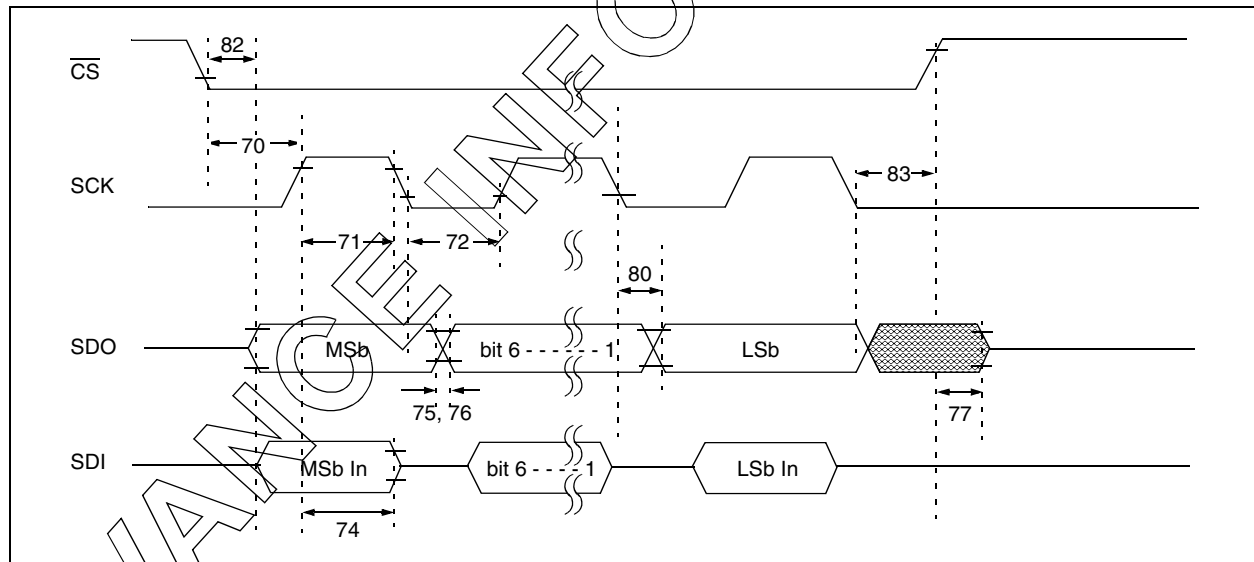


TABLE 10-5: EXAMPLE SPI SLAVE MODE REQUIREMENTS

Param No.	Symbol	Characteristic	Min	Max	Units	Conditions
70	TssL2sCH	\overline{CS} ↓ to SCK ↑ Input	50	—	ns	
71	TsCH	SCK Input High Time	50	—	ns	Single Byte
72	TsCL	SCK Input Low Time	50	—	ns	Single Byte
74	TsCH2dIL	Hold Time of SDI Data Input to SCK Edge	25	—	ns	
75	TdoR	SDO Data Output Rise Time	—	25	ns	
76	TdoF	SDO Data Output Fall Time	—	25	ns	
78	TsCR	SCK Output Rise Time (Master mode)	—	25	ns	
80	TsCH2doV, TsCL2doV	SDO Data Output Valid after SCK Edge	TBD	—	ns	
82	TssL2doV	SDO Data Output Valid after \overline{CS} ↓ Edge	TBD	—	ns	
83	TsCL2ssH	\overline{CS} ↑ after SCK Edge	50	—	ns	

Legend: TBD = To Be Determined

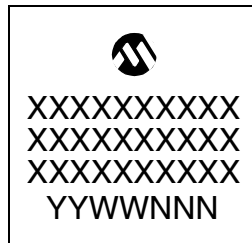
MRF24J40

NOTES:

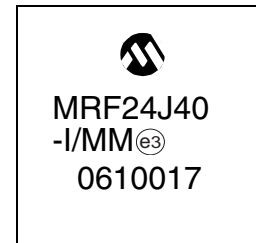
11.0 PACKAGING INFORMATION

11.1 Package Marking Information

40-Lead QFN



Example



Legend:	XX...X	Product-specific information
	Y	Year code (last digit of calendar year)
	YY	Year code (last 2 digits of calendar year)
	WW	Week code (week of January 1 is week '01')
	NNN	Alphanumeric traceability code
	(e3)	Pb-free JEDEC designator for Matte Tin (Sn)
	*	This package is Pb-free. The Pb-free JEDEC designator (e3) can be found on the outer packaging for this package.
Note:	In the event the full Microchip part number cannot be marked on one line, it will be carried over to the next line, thus limiting the number of available characters for customer-specific information.	

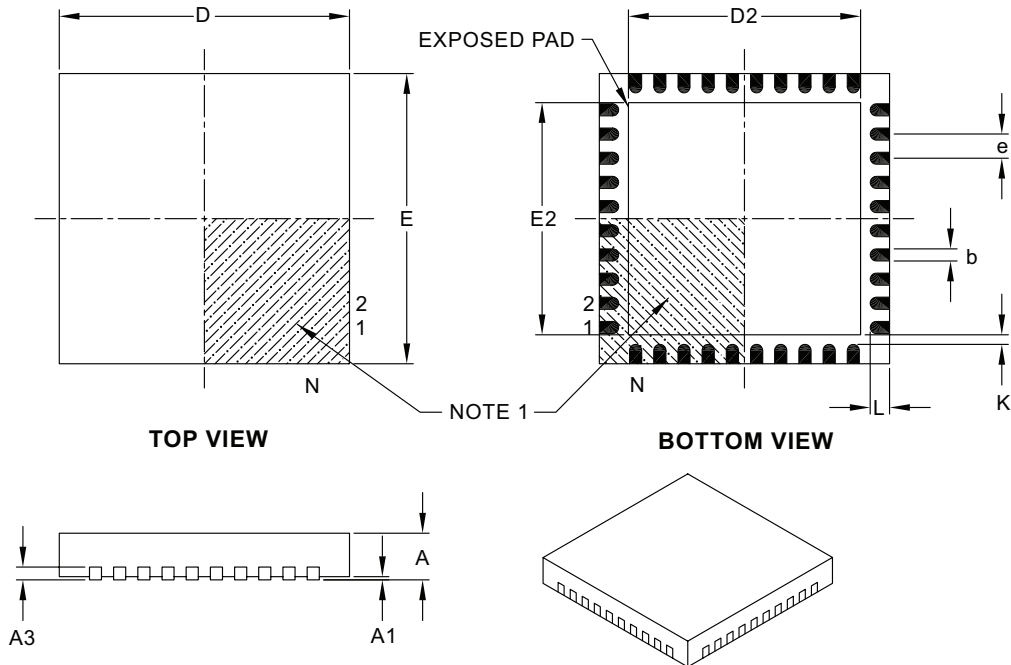
MRF24J40

11.2 Package Details

The following sections give the technical details of the packages.

40-Lead Plastic Quad Flat, No Lead Package (MM) 6x6x0.9 mm Body [QFN] With 0.40 mm Contact Length

Note: For the most current package drawings, please see the Microchip Packaging Specification located at <http://www.microchip.com/packaging>



Dimension	Units	MILLIMETERS		
		MIN	NOM	MAX
Number of Pins	N	40		
Pitch	e	0.50 BSC		
Overall Height	A	0.80	0.90	1.00
Standoff	A1	0.00	0.02	0.05
Contact Thickness	A3	0.20 REF		
Overall Width	E	6.00 BSC		
Exposed Pad Width	E2	4.00	4.37	4.75
Overall Length	D	6.00 BSC		
Exposed Pad Length	D2	4.00	4.37	4.75
Contact Width	b	0.18	0.25	0.30
Contact Length §	L	0.30	0.40	0.50
Contact-to-Exposed Pad §	K	0.20	—	—

Notes:

1. Pin 1 visual index feature may vary, but must be located within the hatched area.
2. § Significant Characteristic
3. Package is saw singulated
4. Dimensioning and tolerancing per ASME Y14.5M
 BSC: Basic Dimension. Theoretically exact value shown without tolerances.
 REF: Reference Dimension, usually without tolerance, for information purposes only.

Microchip Technology Drawing No. C04-118, 09/15/06

APPENDIX A: LAYOUT AND PART SELECTION

A.1 Layout Considerations and RF Measurements

Below is an example of the circuit diagram of a balun. A balun is the impedance transformer from unbalanced input of the PCB antenna and the balanced input of the RF transceiver (pins RFP and RFN).

Figure A-2 shows the measured impedance of the balun where the center of the band is very close to 50Ω . When using low tolerance components (i.e., $\pm 5\%$) along with an appropriate ground, the impedance will remain close to the 50Ω measurement. Figure A-3 shows the measured impedance of the PCB antenna using a logarithmic scale magnitude. Figure A-4 shows the same impedance using a Smith Chart diagram and Figure A-5 using a voltage standing wave ratio.

FIGURE A-1: EXAMPLE CIRCUIT DIAGRAM

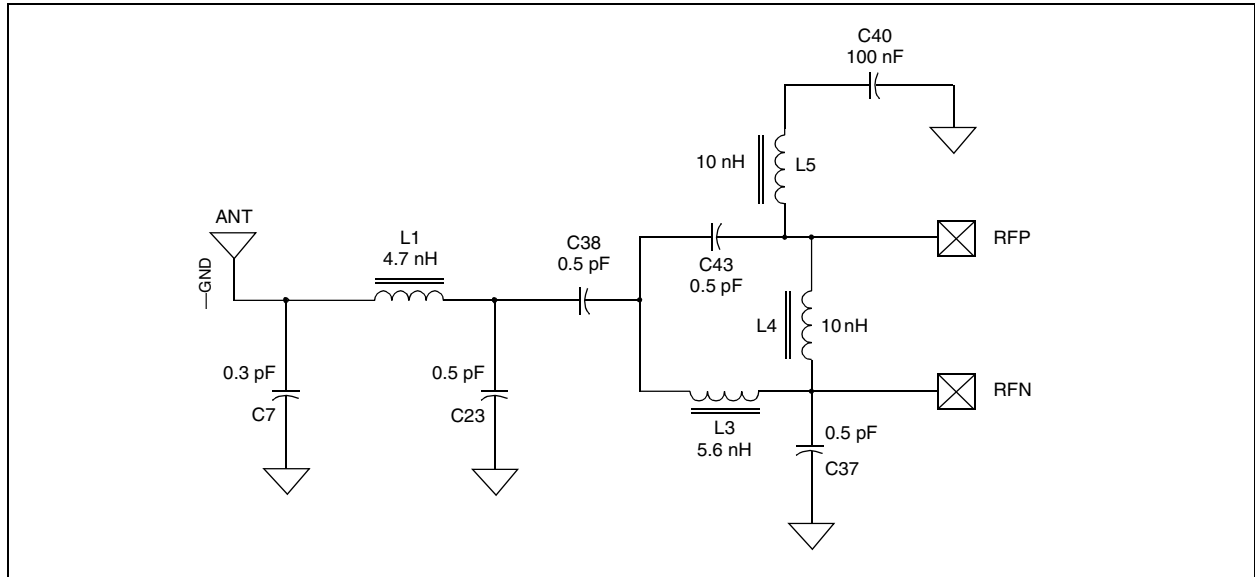
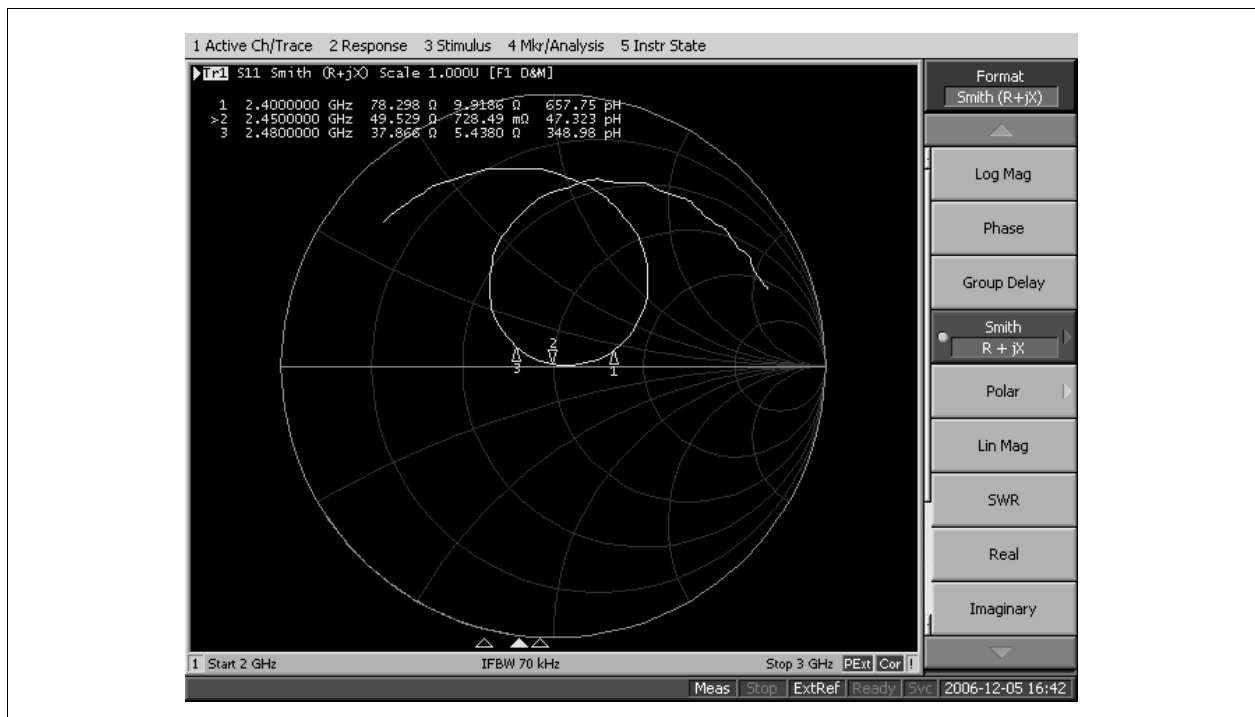


FIGURE A-2: MEASURED IMPEDANCE



MRF24J40

FIGURE A-3: IMPEDANCE OF THE PCB ANTENNA

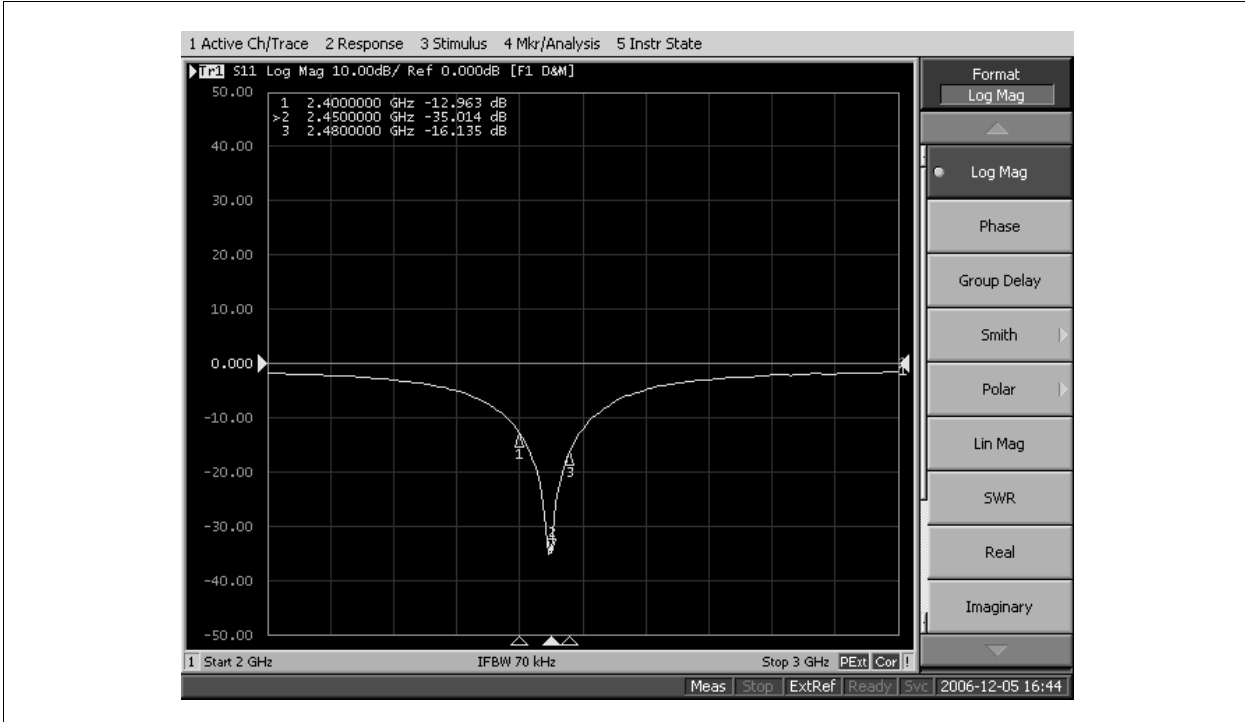
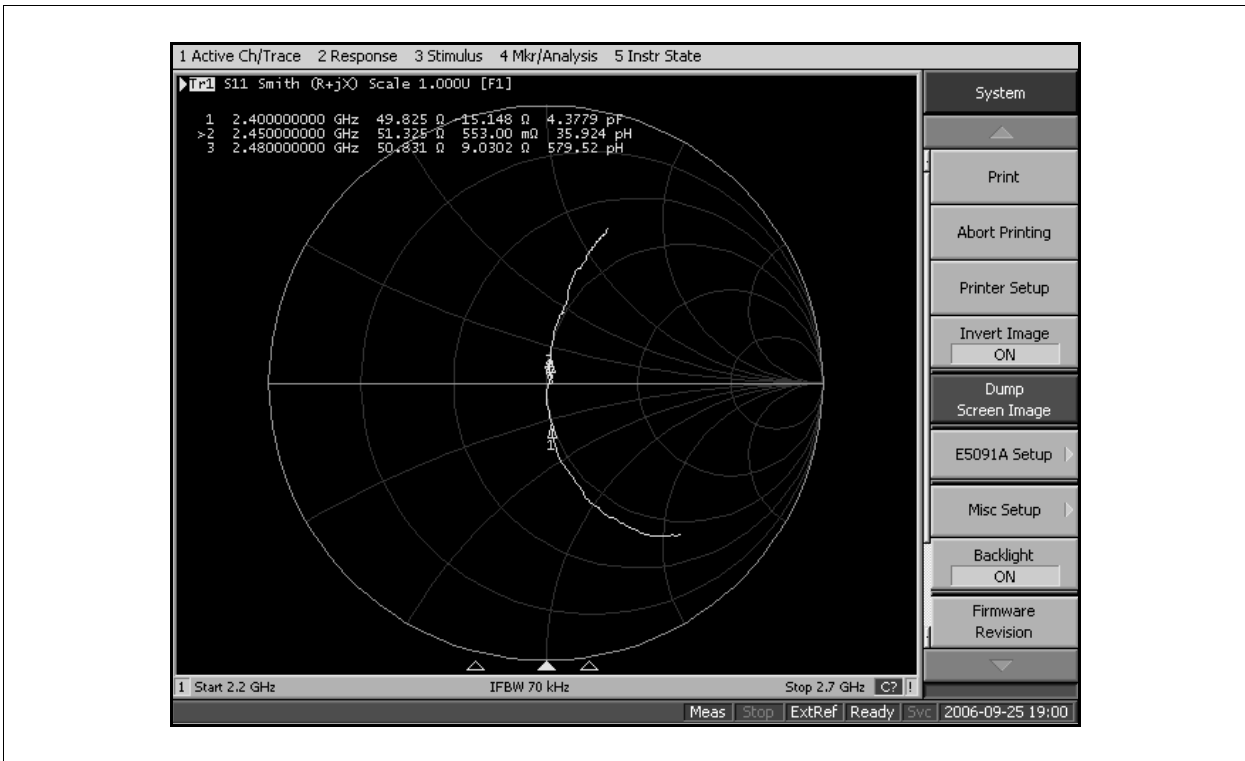


FIGURE A-4: IMPEDANCE OF THE PCB ANTENNA IN SMITH CHART



MRF24J40

Figure A-7 and Figure A-8 illustrate simulation results of this PCB antenna. Note the simulation results are very close to the measurements.

FIGURE A-7: SIMULATED PCB ANTENNA IMPEDANCE, XY PLOT

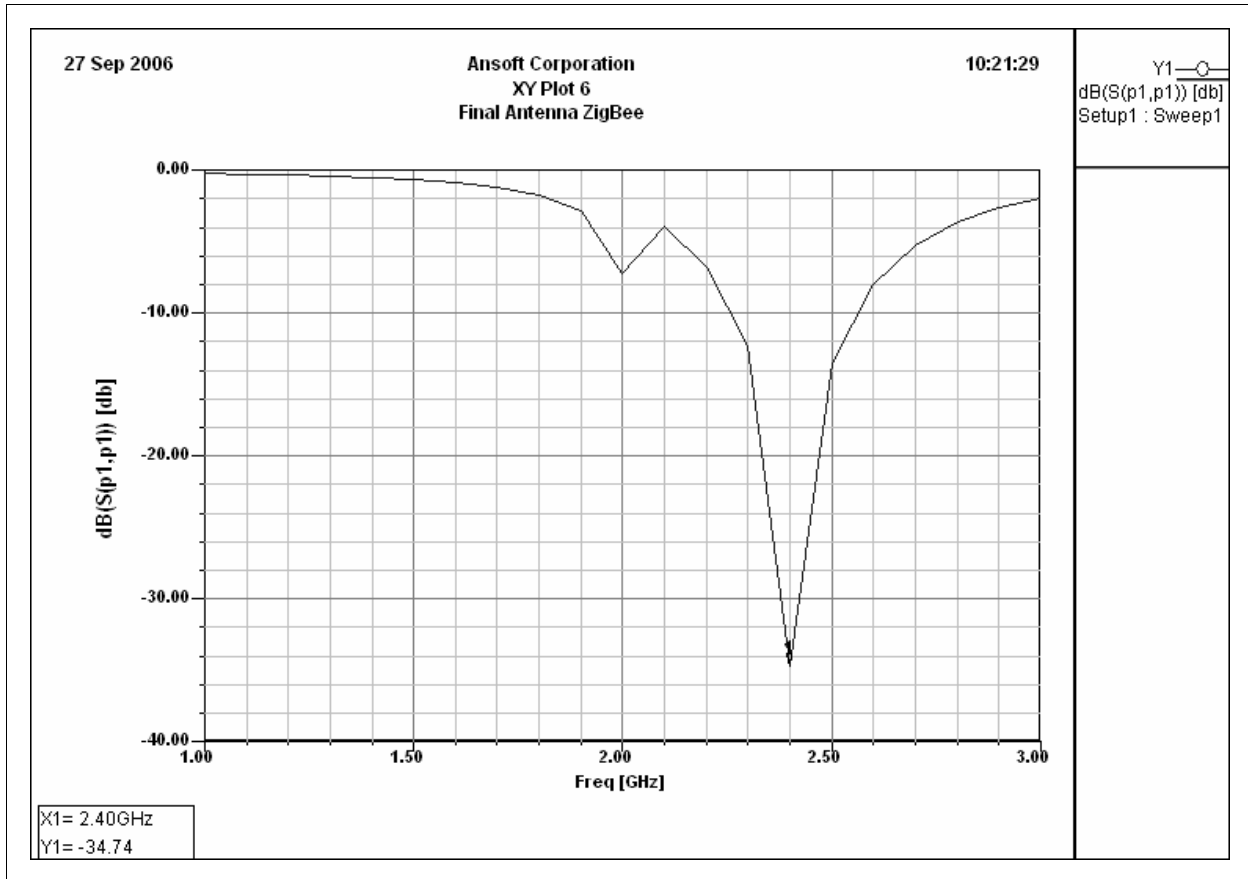
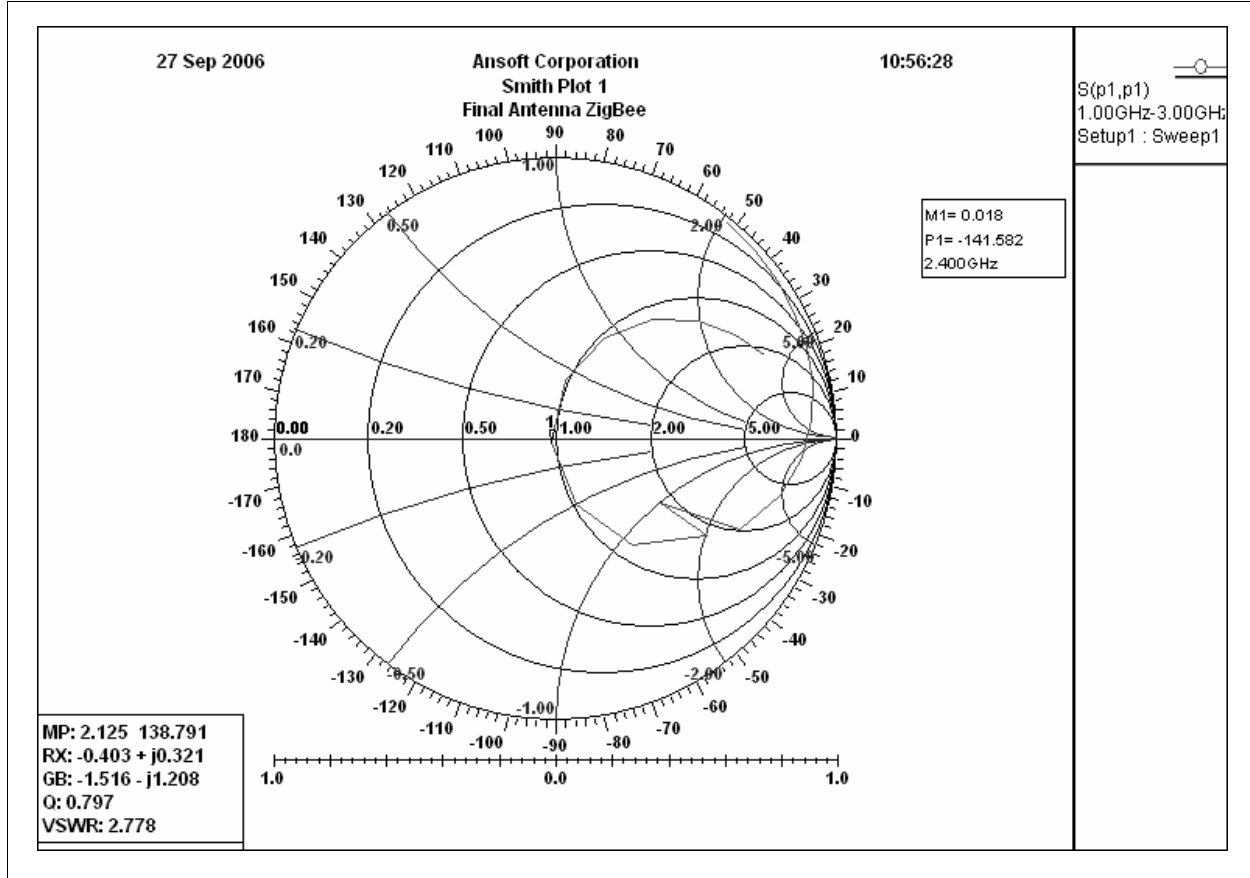


FIGURE A-8: SIMULATED PCB ANTENNA IMPEDANCE, SMITH PLOT



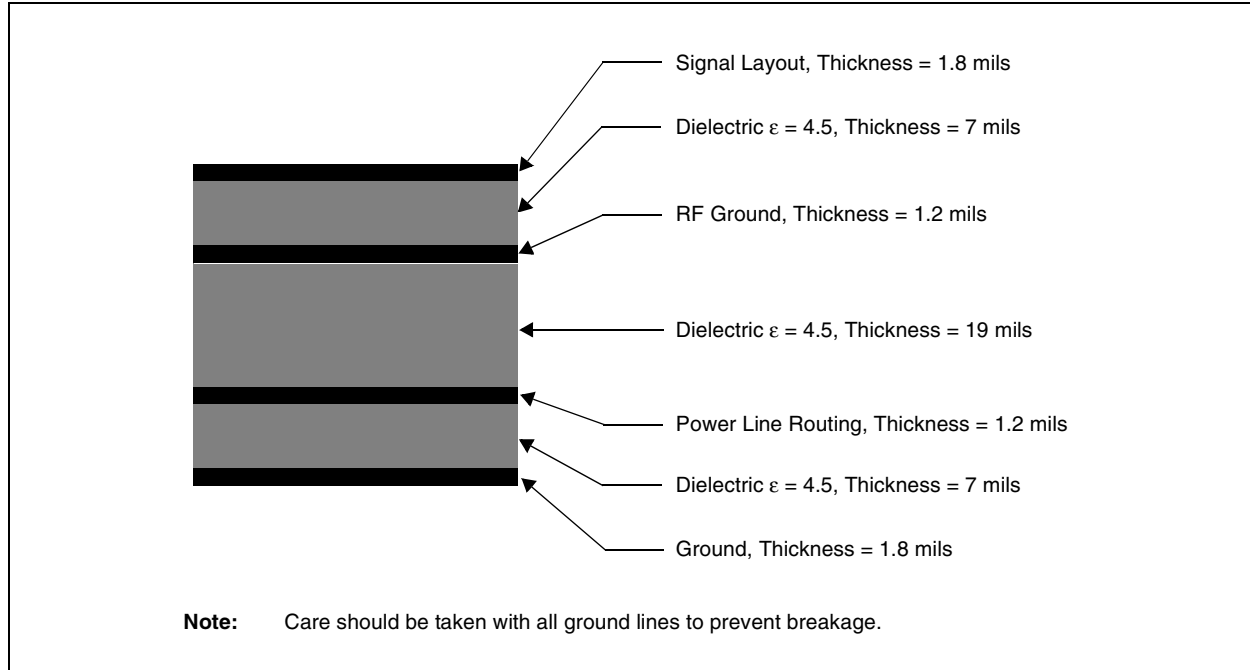
MRF24J40

A.2 PCB Layout Design

The following guidelines are intended to aid users who are not experienced in high-frequency PCB layout design.

The printed circuit board is comprised of four basic FR4 layers: signal layout, RF ground, power line routing and ground (see Figure A-9). The guidelines will explain the requirements of these layers.

FIGURE A-9: FOUR BASIC COPPER FR4 LAYERS



- It is important to keep the original PCB thickness since any change will affect antenna performance (see total thickness of dielectric) or microstrip lines characteristic impedance.
- The first layer width of a 50Ω characteristic impedance microstrip line is 12 mils.
- Avoid having microstrip lines longer than 2.5 cm, since that line might get very close to a quarter wave length of the working frequency of the board which is 3.0 cm, and start behaving as an antenna.
- Except for the antenna layout, avoid sharp corners since they can act as an antenna. Round corners will eliminate possible future EMI problems.
- Digital lines by definition are prone to be very noisy when handling periodic waveforms and fast clock/switching rates. Avoid laying out a RF signal close to any digital lines.
- A via filled ground patch underneath the IC transceiver is mandatory.
- A power supply must be distributed to each pin in a star topology and low-ESR capacitors must be placed at each pin for proper decoupling noise.
- Decoupling each power pin is a tedious task, especially when the noise is affecting the performance of the transceiver in a specific bandwidth. Usually, low value caps (15-27 pF) combined with large value caps (100 nF) will cover a large spectrum of frequency.
- Passive components (inductors) must be in the high-frequency category and the SRF (Self-Resonant Frequency) should be at least two times higher than the operating frequency.

Figure A-10 and Figure A-11 illustrate the ground and power plane for the RF board.

FIGURE A-10: GROUND PLANE

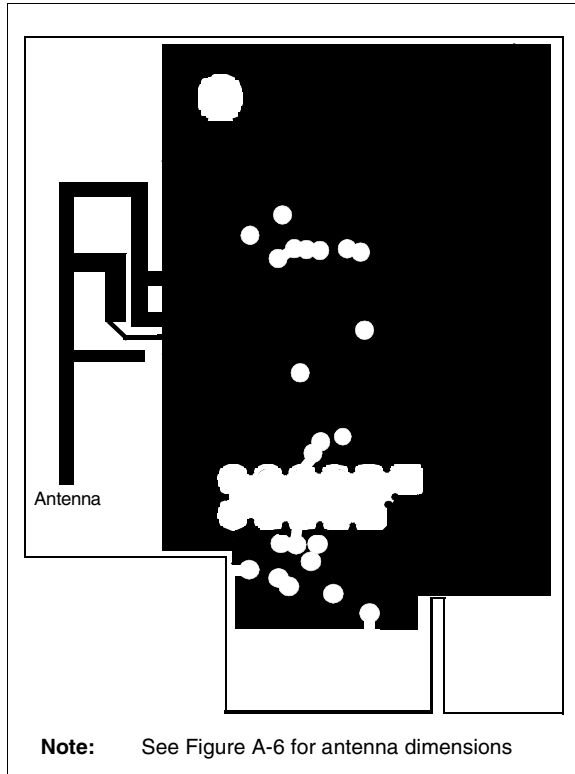
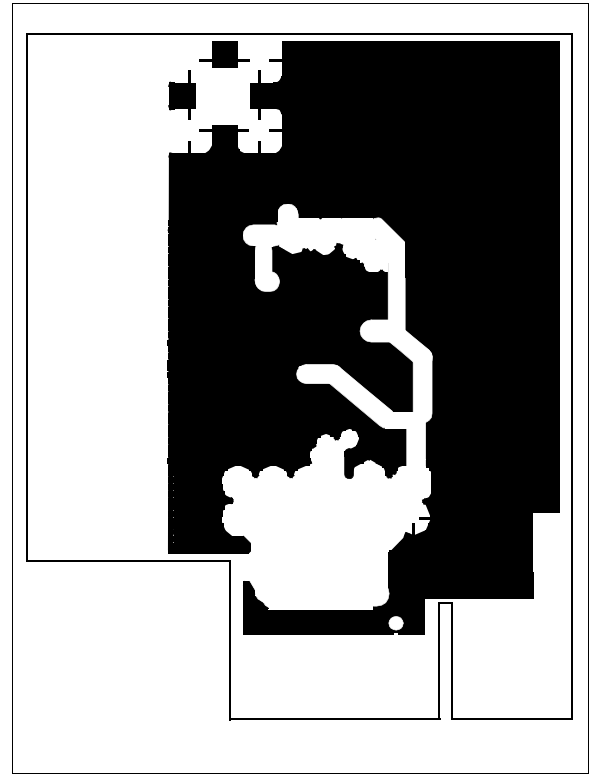


FIGURE A-11: POWER GROUND PLANE



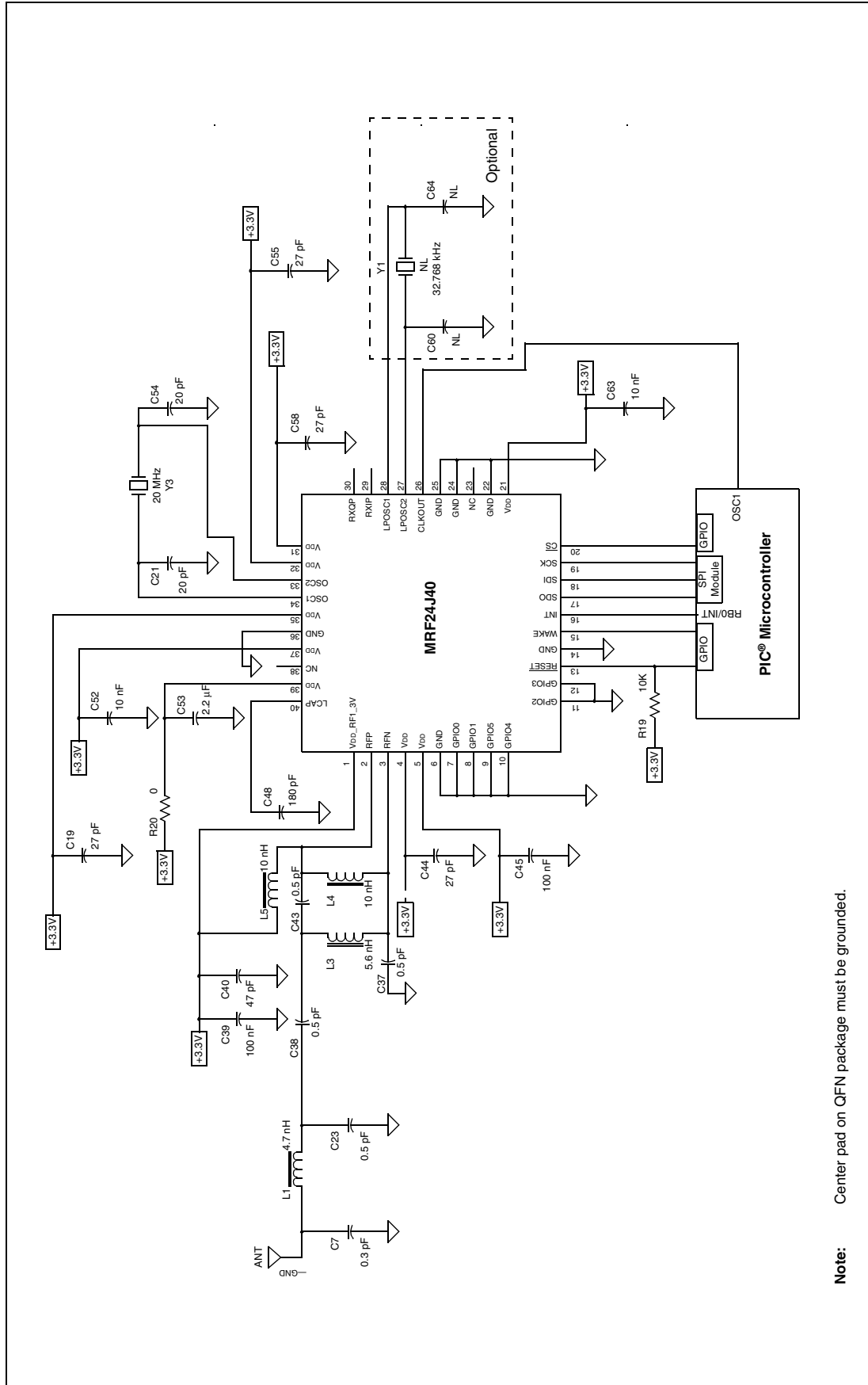
MRF24J40

NOTES:

APPENDIX B: MRF24J40 SCHEMATIC AND BILL OF MATERIALS

B.1 Schematic

FIGURE B-1: MRF24J40 SCHEMATIC



Note: Center pad on QFN package must be grounded.

MRF24J40

B.2 Bill of Materials

TABLE B-1: MRF24J40 DAUGHTER CARD BILL OF MATERIALS

Quantity	Component Name	Reference Description	Value	Description	Vendor	Vendor #
1	CAP3528	C1	2.2 μ F_Tant	Capacitor TANT, 2.2 μ F, 25V, 10%, SMD	Kemet	T491B225K025AT
4	CAP0402	C23, C37, C38, C43	0.5 pF	CAP, Ceramic, 0.5 pF, 50V, NPO, 0402	Yageo America	0402CG508C9B200
2	CAP0402	C21, C54	20 pF	CAP, Ceramic, 20 pF, 50V, 5%, COG, 0402	Murata Electronics	GRM1555C1H200JZ01D
4	CAP0402	C19, C44, C55, C58	27 pF	CAP, Ceramic, 27 pF, 50V, 0402, SMD	Panasonic - ECG	ECJ-0EC1H270J
1	CAP0402	C40	47 pF	CAP, Ceramic, 47 pF, 50V, COG, 5%, 0402	TDK Corporation	C1005C0G1H470J
2	CAP0402	C52, C63	10 nF	CAP, Ceramic, 10000 pF, 16V, X7R, 0402	Kemet	C0402C103K4RACTU
2	CAP0402	C39, C45	100 nF	C0402C104K8PACTU	Kemet	C0402C104K8PACTU
1	CAP0402	C48	180 pF	CAP, Ceramic, 180 pF, 50V, COG, 5%, 0402	TDK Corporation	C1005C0G1H181J
1	CAP0603	C53	2.2 μ F	CAP, Ceramic, 2.2 μ F, 10V, Y5V, 0603	Taiyo Yuden	LMK107F225ZA-T
1	CRYSTAL_ABM8	Y3	20 MHz	Crystal, 20.000 MHz, 18 pF, FUND, SMD	Abracon Corporation	ABM8-20.000MHZ-B2-T
1	MRF24J40_QLP40	U1		MRF24J40, Single Chip Transceiver	Microchip	MRF24J40-I/ML
1	IND0402	L1	4.7 nH	Inductor Multilayer, 4.7 nH, 0402	TDK Corporation	MLK1005S4N7S
1	IND0402	L3	5.6 nH	Inductor Multilayer, 5.6 nH, 0402	TDK Corporation	MLK1005S5N6D
2	IND0402	L4, L5	10 nH	Inductor Multilayer, 10 nH, 0402	TDK Corporation	MLK1005S10NJ
2	RES0402	R20, R22	0 Ω	RES, 0 Ω , 1/16W, 5%, 0402, SMD	Panasonic - ECG	ERJ-2GE0R00X
1	RES0402	R19	10K	RES, 10 k Ω , 1/16W, 5%, 0402, SMD	Yageo America	RC0402JR-0710KL
1	HDR6X2	J2		.100" Socket/Terminal	Samtec	LST-106-07-F-D

B.3 REVISION HISTORY

Revision A (December 2006)

Original data sheet for the MRF24J40 device.

MRF24J40

NOTES:

INDEX

A

Absolute Maximum Ratings	41
AC Characteristics	
Receiver	42
Transmitter	43

B

Bill of Materials	56
Block Diagrams	
Example Circuit	47
Interrupt Logic	35
MRF24J40 Architecture	4
Packet Format	19
Buffer Interface	17

C

CCA	
Clear Channel Assessment	30
Channel Selection	24
Code Examples	
GPIO Read/Write	39
Initializing the MRF24J40	28
Long Address Read	16
Long Address Write	17
Short Address Read	14
Short Address Write	15
Control Registers	
Long Address	9
Mapping, Long Address	10
Mapping, Short Address	10
Short Address	9
COORD Bit	24
CSMA-CA	29
Carrier Sense Multiple Access	
Collision Avoidance	30
Current Consumption	3, 42
Customer Change Notification Service	61
Customer Notification Service	61
Customer Support	61

D

Device Configuration	24
Device Overview	3
Features (40-Pin Devices)	3
Differential RF Pin	
Negative	
RFN	8
Positive	
RFP	8

E

Electrical Characteristics	41
Errata	2
Example SPI Slave Mode Requirements	43
Extended Organizationally Unique Identifier (EUI)	20
External Connections	7
CLKOUT Pin	7
Oscillator	7
Start-up	7

G

General Purpose I/O	39
GPIO Registers	
TRISGPIO	
GPIO Pin Direction and	
SPI Mode Register	40

I

IEEE 802.15.4	3
IEEE 802.15.4-2003	19
Impedance	
Measured	47
PCB Antenna	48
PCB Antenna in Smith Chart	48
PCB Antenna with Voltage Standing	
Wave Ratio	49
Simulated PCB Antenna, Smith Plot	51
Simulated PCB Antenna, XY Plot	50
Initialization	21
Integrated Oscillator Drive	3
Internet Address	61
Interrupts	35
Structure	35

L

Layout Considerations	47
Long Address Register Interface	16
Reading	16
Writing	17
Long Address Summary	11
Long Addresses	26

M

MAC Initialization	24
Memory Organization	9
Microchip Internet Web Site	61

P

Packages	3
Packaging	45
Details	46
Marking	45
Packet Format	19
Cyclic Redundancy Check (CRC)	19
Data Field	20
Data Payload	19
Destination Address	19
Destination Address Fields	20
FCS Field	20
Frame Control Field	20
Frame Delimiter	20
Length Field	19, 20
Sequence Number Field	20
Source Address	19
Source Address Fields	20
PAN ID	26
PANCOORD Bit	24
PCB	
Ground plane	53
Layout Design	52
Power Ground Plane	53

MRF24J40

PCB Antenna			
Dimensions	49	ISRSTS (Interrupt Status)	36
Simulation Results	50	PANIDH (MAC PAN High Byte)	26
PHY Initialization	22	PANIDL (MAC PAN Low Byte)	26
Pin Descriptions	5	RFCTL (RF Mode Control)	24
CLKOUT (Clock Output)	5	RFCTRL0 (RF Control 0)	24
CS (Serial Interface Enable)	5	RFCTRL2 (RF Control 2)	22
GND (Ground, Digital Circuit)	5	RFCTRL3 (RF Control 3)	22
GND (Ground, PLL)	5	RFCTRL6 (RF Control 6)	23
GND (Guard Ring Ground)	5	RFCTRL7 (RF Control 7)	8
GPIO0 (External PA Enable)	5	RFCTRL8 (RF Control 8)	23
GPIO1 (External TX/RX Switch Control)	5	RSSITHCCA (RSSI Threshold for CCA)	23
GPIO2 (External TX/RX Switch Control)	5	RXFLUSH (Receive FIFO Flush)	34
GPIO3 (General Purpose Digital I/O)	5	RXMCR (Receive Filter Control)	21
GPIO4 (General Purpose Digital I/O)	5	SADRH (MAC Short Address High Byte)	27
GPIO5 (General Purpose Digital I/O)	5	SADRL (MAC Short Address Low Byte)	27
INT (Interrupt Pin)	5	TRISGPIO (GPIO Pin Direction and SPI Mode)	40
LCAP (PLL Loop Filter External Capacitor)	5	TXNMTRIG (Trigger and Setting for Normal Frame, CAP)	30
LPOSC1 (32 kHz Crystal Input)	5	TXSR (TX MAC Status)	31
LPOSC2 (32 kHz Crystal Input)	5	RF Measurements	47
NC (No Connection)	5	RF Output	8
OSC1 (20 MHz Crystal Input)	5	RF Transceiver	47
OSC2 (20 MHz Crystal Input)	5	RSSI Default Threshold	22
RESET (Global Hardware Reset Active-Low)	5	RX FIFO	31
RFN (Differential RF Pin, Negative)	5	RX MAC	31
RFP (Differential RF Pin, Positive)	5	S	
RXIP (Analog RX I Channel Output)	5	Schematic	55
RXQP (Analog RX Q Channel Output)	5	Security Buffer	9
SCK (Serial Interface Clock)	5	Serial Communications	3
SDI (Serial Interface Data Input)	5	Serial Peripheral Interface (SPI)	13
SDO (Serial Interface Data Output)	5	Short Address Register Interface	14
VDD (Charge Pump Power Supply)	5	Reading	14
VDD (Digital Circuit Power Supply)	5	Writing	15
VDD (Guard Ring Power Supply)	5	Short Address Summary	11
VDD (PLL Power Supply)	5	Short Addresses	26
VDD (Power Supply, Analog Circuit)	5	Sleep Mode	3
VDD (Power Supply, Band Gap Reference Circuit)	5	T	
VDD (RF Power Supply)	5	Timing Diagrams	
VDD (VCO Supply)	5	Example SPI Slave Mode	43
WAKE (External Wake-up Trigger)	5	Long Address Read	16
Power-Saving Mode	3	Long Address Write	17
Proprietary Protocols	1	Short Address Read	14
MiWi	1	Short Address Write	15
ZigBee	1, 9	SPI Input	13
R		SPI Output	13
Reader Response	62	Transmit Buffers	9
Receive Buffers	9	Transmit Packets	21
Receive Filters	21	Transmitting Packets	29
Receive Packets	21	Status	31
Receive Process Flowchart	32	Trigger Packet	30
Receiving Packets	31	TX FIFO	30
Freeing Buffer Space	34	TX FIFO Format	29
Layout	33	TX MAC	29
Recommended Operating Conditions	42	W	
Reference Clock Output	3	WWW Address	61
Register File Summary	11	WWW, On-Line Support	2
Registers		Z	
BBREG2 (Baseband CCA/RSSI Mode 2)	25	Zigbee V1.0 Specification	9
BBREG6 (Baseband RSSI Mode 6)	25		
CLKCTRL (Divided Sleep Clock Selection)	7		
CLKINTCR (SLPCLK On/Off and Interrupt Polarity)	38		
GPIO (GPIO Port)	39		
INTMSK (Interrupt Mask)	37		

THE MICROCHIP WEB SITE

Microchip provides online support via our WWW site at www.microchip.com. This web site is used as a means to make files and information easily available to customers. Accessible by using your favorite Internet browser, the web site contains the following information:

- **Product Support** – Data sheets and errata, application notes and sample programs, design resources, user's guides and hardware support documents, latest software releases and archived software
- **General Technical Support** – Frequently Asked Questions (FAQ), technical support requests, online discussion groups, Microchip consultant program member listing
- **Business of Microchip** – Product selector and ordering guides, latest Microchip press releases, listing of seminars and events, listings of Microchip sales offices, distributors and factory representatives

CUSTOMER CHANGE NOTIFICATION SERVICE

Microchip's customer notification service helps keep customers current on Microchip products. Subscribers will receive e-mail notification whenever there are changes, updates, revisions or errata related to a specified product family or development tool of interest.

To register, access the Microchip web site at www.microchip.com, click on Customer Change Notification and follow the registration instructions.

CUSTOMER SUPPORT

Users of Microchip products can receive assistance through several channels:

- Distributor or Representative
- Local Sales Office
- Field Application Engineer (FAE)
- Technical Support
- Development Systems Information Line

Customers should contact their distributor, representative or field application engineer (FAE) for support. Local sales offices are also available to help customers. A listing of sales offices and locations is included in the back of this document.

Technical support is available through the web site at: <http://support.microchip.com>

PRODUCT IDENTIFICATION SYSTEM

To order or obtain information, e.g., on pricing or delivery, refer to the factory or the listed sales office.

<u>PART NO.</u>	<u>X</u>	<u>/XX</u>	<u>XXX</u>
Device	Temperature Range	Package	Pattern
Device	MRF24J40: IEEE 802.15.4™ 2.4 GHz RF Transceiver		
Temperature Range	I	= -40°C to +85°C (Industrial)	
Package	MM	= QFN (Plastic Quad Flat, No Lead)	

Example:
a) MRF24J40-I/MM: Industrial temperature, QFN package.



WORLDWIDE SALES AND SERVICE

AMERICAS

Corporate Office
2355 West Chandler Blvd.
Chandler, AZ 85224-6199
Tel: 480-792-7200
Fax: 480-792-7277
Technical Support:
<http://support.microchip.com>
Web Address:
www.microchip.com

Atlanta
Alpharetta, GA
Tel: 770-640-0034
Fax: 770-640-0307

Boston
Westborough, MA
Tel: 774-760-0087
Fax: 774-760-0088

Chicago
Itasca, IL
Tel: 630-285-0071
Fax: 630-285-0075

Dallas
Addison, TX
Tel: 972-818-7423
Fax: 972-818-2924

Detroit
Farmington Hills, MI
Tel: 248-538-2250
Fax: 248-538-2260

Kokomo
Kokomo, IN
Tel: 765-864-8360
Fax: 765-864-8387

Los Angeles
Mission Viejo, CA
Tel: 949-462-9523
Fax: 949-462-9608

Santa Clara
Santa Clara, CA
Tel: 408-961-6444
Fax: 408-961-6445

Toronto
Mississauga, Ontario,
Canada
Tel: 905-673-0699
Fax: 905-673-6509

ASIA/PACIFIC

Asia Pacific Office
Suites 3707-14, 37th Floor
Tower 6, The Gateway
Harbour City, Kowloon
Hong Kong
Tel: 852-2401-1200
Fax: 852-2401-3431

Australia - Sydney
Tel: 61-2-9868-6733
Fax: 61-2-9868-6755

China - Beijing
Tel: 86-10-8528-2100
Fax: 86-10-8528-2104

China - Chengdu
Tel: 86-28-8665-5511
Fax: 86-28-8665-7889

China - Fuzhou
Tel: 86-591-8750-3506
Fax: 86-591-8750-3521

China - Hong Kong SAR
Tel: 852-2401-1200
Fax: 852-2401-3431

China - Qingdao
Tel: 86-532-8502-7355
Fax: 86-532-8502-7205

China - Shanghai
Tel: 86-21-5407-5533
Fax: 86-21-5407-5066

China - Shenyang
Tel: 86-24-2334-2829
Fax: 86-24-2334-2393

China - Shenzhen
Tel: 86-755-8203-2660
Fax: 86-755-8203-1760

China - Shunde
Tel: 86-757-2839-5507
Fax: 86-757-2839-5571

China - Wuhan
Tel: 86-27-5980-5300
Fax: 86-27-5980-5118

China - Xian
Tel: 86-29-8833-7250
Fax: 86-29-8833-7256

ASIA/PACIFIC

India - Bangalore
Tel: 91-80-4182-8400
Fax: 91-80-4182-8422

India - New Delhi
Tel: 91-11-4160-8631
Fax: 91-11-4160-8632

India - Pune
Tel: 91-20-2566-1512
Fax: 91-20-2566-1513

Japan - Yokohama
Tel: 81-45-471-6166
Fax: 81-45-471-6122

Korea - Gumi
Tel: 82-54-473-4301
Fax: 82-54-473-4302

Korea - Seoul
Tel: 82-2-554-7200
Fax: 82-2-558-5932 or
82-2-558-5934

Malaysia - Penang
Tel: 60-4-646-8870
Fax: 60-4-646-5086

Philippines - Manila
Tel: 63-2-634-9065
Fax: 63-2-634-9069

Singapore
Tel: 65-6334-8870
Fax: 65-6334-8850

Taiwan - Hsin Chu
Tel: 886-3-572-9526
Fax: 886-3-572-6459

Taiwan - Kaohsiung
Tel: 886-7-536-4818
Fax: 886-7-536-4803

Taiwan - Taipei
Tel: 886-2-2500-6610
Fax: 886-2-2508-0102

Thailand - Bangkok
Tel: 66-2-694-1351
Fax: 66-2-694-1350

EUROPE

Austria - Wels
Tel: 43-7242-2244-39
Fax: 43-7242-2244-393

Denmark - Copenhagen
Tel: 45-4450-2828
Fax: 45-4485-2829

France - Paris
Tel: 33-1-69-53-63-20
Fax: 33-1-69-30-90-79

Germany - Munich
Tel: 49-89-627-144-0
Fax: 49-89-627-144-44

Italy - Milan
Tel: 39-0331-742611
Fax: 39-0331-466781

Netherlands - Drunen
Tel: 31-416-690399
Fax: 31-416-690340

Spain - Madrid
Tel: 34-91-708-08-90
Fax: 34-91-708-08-91

UK - Wokingham
Tel: 44-118-921-5869
Fax: 44-118-921-5820