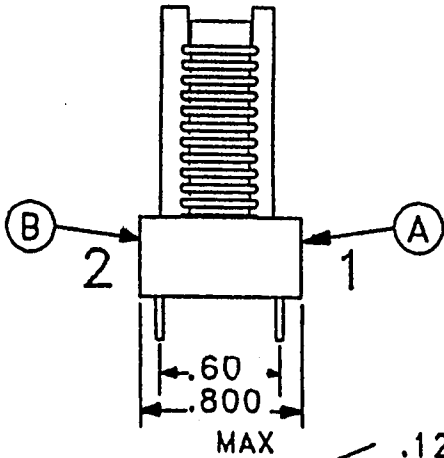
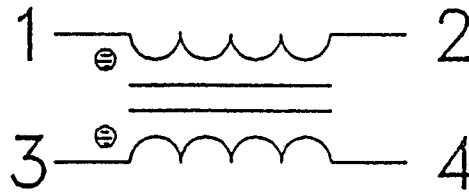
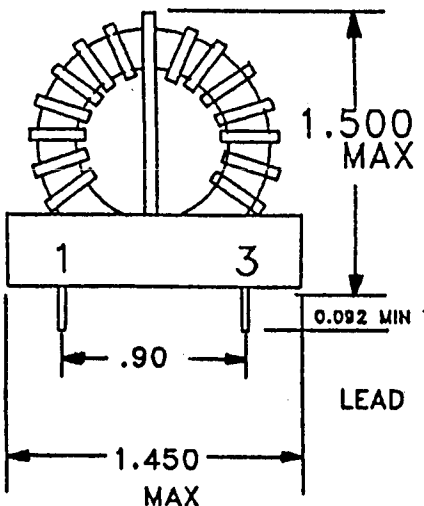


SCHMATIC



.120 MIN SPACING BETWEEN WINDINGS





B 4 MagneTek 2
MARKING DETAIL

A CMT908-V1
1 • XXXX XX 3 •
MARKING DETAIL

TWO DIGIT VENDOR IDENTIFICATION CODE TO BE ASSIGNED AFTER VENDOR APPROVAL.

DC RESISTANCE IN OHMS	1 TO 2 .020 MAX
	3 TO 4 .020 MAX
POLARITY MUST BE CORRECT	
APPLY = .1V @ 10 KHz	
INDUCTANCE = 1 TO 2 2.00 mHYS MIN	
IND 1-2 & 3-4 WITHIN .04 mHY	
LEAKAGE INDUCTANCE = 25.0 uHYS	
.125 uHY 1-3 WITH 2 & 4 SHORTED	
HIPOT = 2850 V FOR 1 SEC MIN	
WDG TO WDG	
CONTINUITY =	
IMPREGNATION NOTES =	
PINS TO BE FREE OF DEBRIS TO MTG SURFACE MIN	

REV	CHANGE	DATE	UNLESS OTHERWISE SPECIFIED DIMENSIONS ARE IN INCHES: TOLERANCES:	MATERIAL				
A	RELEASED	N.O.P. 4-23-92	x/x = ± 1/64 .xx = ± .01 .xxx = ± .005 ∠ = ± 0° 30'	FINISH				
B	ELN G7591	HA 5-17-92	THIS DRAWING CONTAINS INFORMATION PROPRIETARY TO MAGNETEK. ANY REPRODUCTION, DISCLOSURE OR USE OF THIS DRAWING IS EXPRESSLY PROHIBITED EXCEPT AS MAGNETEK MAY OTHERWISE AGREE IN WRITING. DO NOT SCALE DRAWING.					
C	ELN G8249	HA 10-9-97						
			DWN BY <i>(Signature)</i>	SCALE		TITLE	SIZE	DRAWING NO.
			CHK BY	DATE		COMMON MODE FILTER INDUCTOR	A	CMT 908-V1
			APVD BY <i>(Signature)</i>	4-22-92				