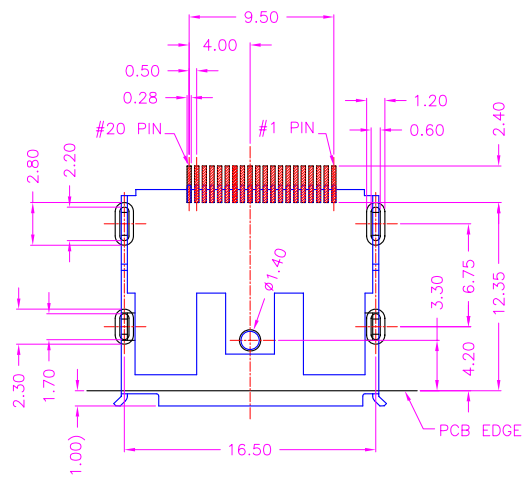
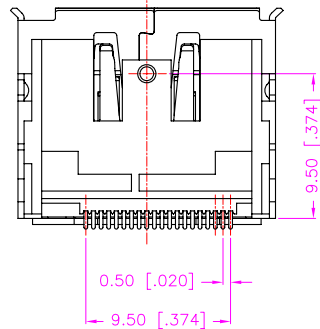
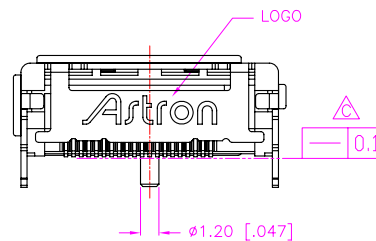
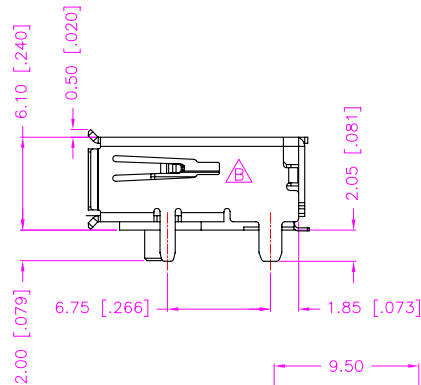
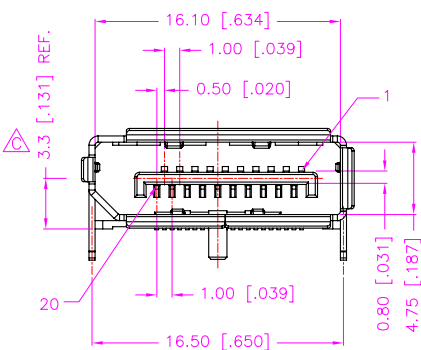
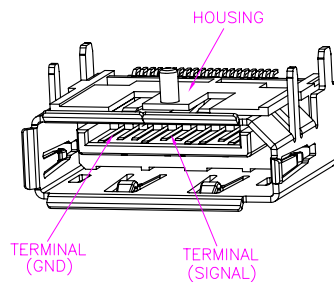
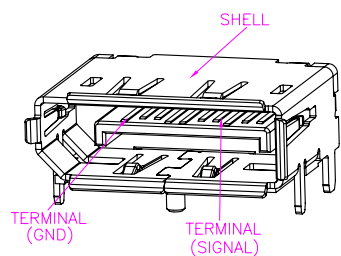
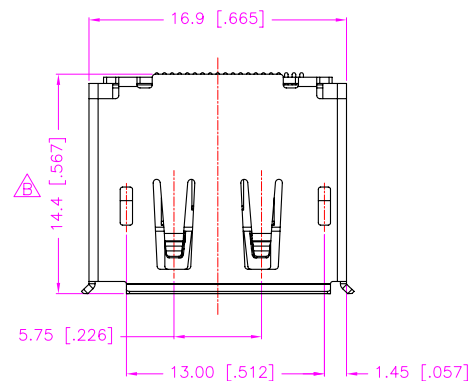


REV.	DESCRIPTION	DATE
A	RELEASE	Nov. 26, 2007
B	DRAW MODIFY	Feb. 14, 2008
C	DIM. MODIFY	Jun. 13, 2008



RECOMMEND P.C.B. LAYOUT  
TOP VIEW

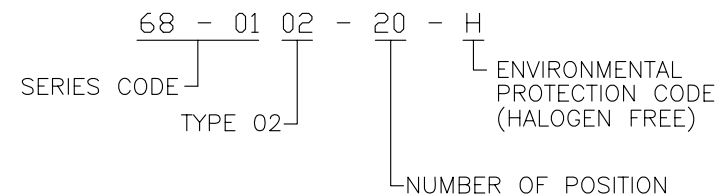
### MATERIALS

1. HOUSING : L.C.P. (UL 94V-0), BLACK.
2. TERMINAL : PHOSPHOR BRONZE, GOLD PLATING.
3. SHELL : PHOSPHOR BRONZE, NICKEL PLATING.

### SPECIFICATION

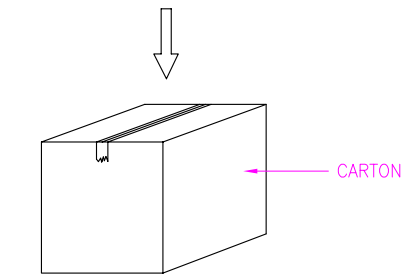
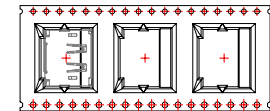
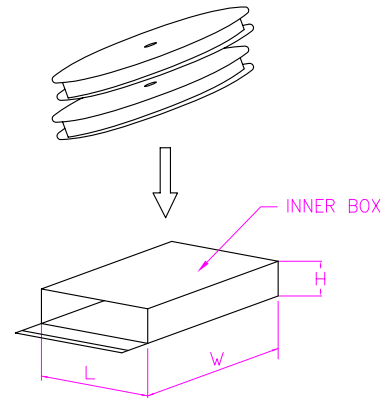
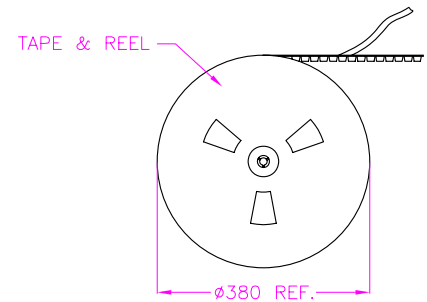
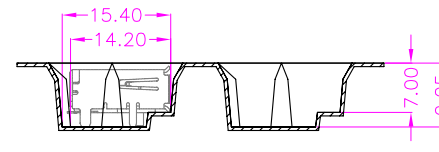
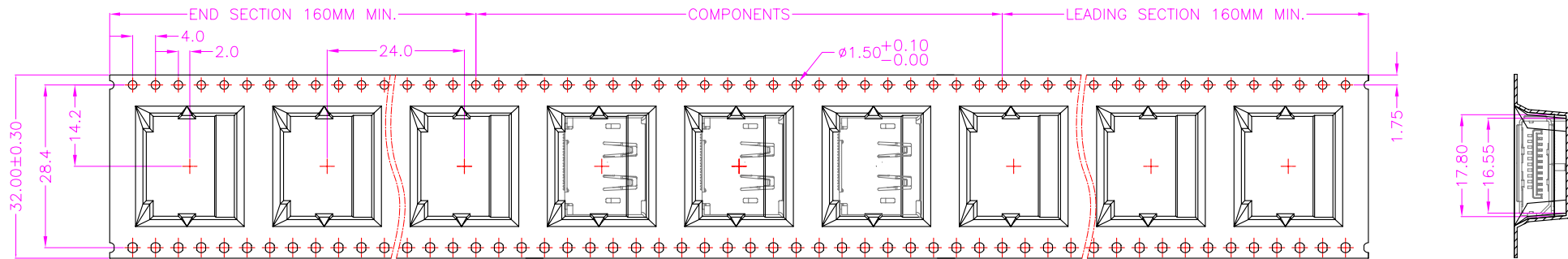
1. CURRENT RATING : 0.5 AMP. MAX.
2. DIELECTRIC WITHSTANDING VOLTAGE : 500V AC R.M.S. FOR ONE MINUTE.
3. INSULATION RESISTANCE : 100M OHMS MIN. AT 500V DC
4. CONTACT RESISTANCE : 30m OHMS MAX.
5. OPERATING TEMPERATURE : -40°C TO +85°C.
6. DURABILITY : 10000 CYCLES.
7. MATING FORCE : 4.5kgf MAX.
8. UNMATING FORCE : 1.0kgf MIN.

### PART NUMBER INFORMATION



TOLERANCE .0=±.30 [.012] .00=±.20 [.008] .000=±.XXX .0000=±. ANG.=±3'	DRAWER <i>JANPE</i>	<b>Astron</b> <b>WWW.ASTRON.COM.TW</b>
	CHECK <i>BEN</i>	
UNITS : mm [inch]	APP'D <i>ERPE</i>	DRAW NO. C68-0102-20-H
	PRODUCT SPEC. —	
SCALE NONE	SIZE A4	SHEET 1 OF 2
		REV. C
		08005

REV.	DESCRIPTION	DATE
A	RELEASE	Nov. 26, 2007
B	DRAW. MODIFY	Feb. 14, 2008
B	DIM. MODIFY	Jun. 13, 2008



**TAPE & PACKAGE :**

**MATERIAL :**

1. CARRIER TAPE : PS
2. COVER TAPE: PE
3. REEL : PS

**QUANTITY:**

1. 300 PCS PER REEL
2. 600 PCS REEL PER INNER BOX
3. 3000 PCS INNER BOX PER CARTON

**DIMENSION :**

REEL SIZE : DIA=380.0mm, W=32.0mm  
 INNER BOX : L=390mm, W=381mm H=86mm  
 CARTON : L=420mm, W=400mm, H=460mm

TOLERANCE .0=±.10 [.004] .00=±.15 [.006] .000=±.XXX .0000=±. ANG.=±3°	DRAWER	JANPE	<b>Astron</b> <b>WWW.ASTRON.COM.TW</b>	
	CHECK	BEN		
	APP'D	ERP	NAME	DISPLAY PORT RIGHT ANGLE, SMT TYPE, FEMALE
	PRODUCT SPEC.	—	DRAW NO.	C68-0102-20-H
UNITS : mm [inch]	T-836	REV.	C	
SCALE NONE	SIZE A4	SHEET 2 OF 2	08005	