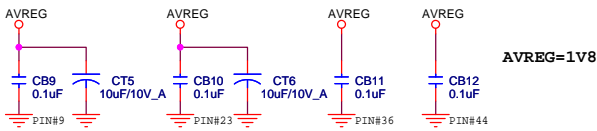
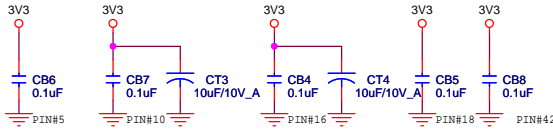
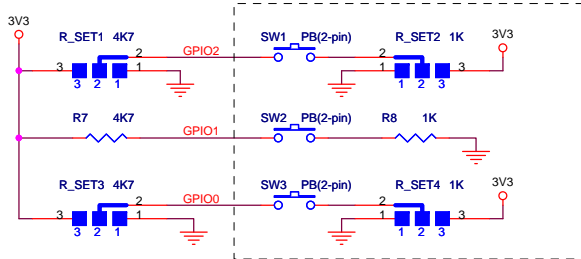


Power on LED



AVREG=1V8

Option function :  
Switch circuit



One touch backup  
use GPIO0(SW3)

If there aren't switch circuit don't  
care R\_SET2,R8 and R\_SET4

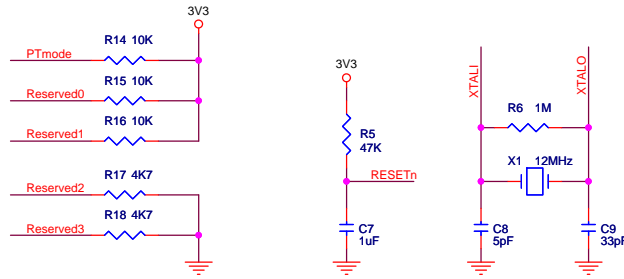
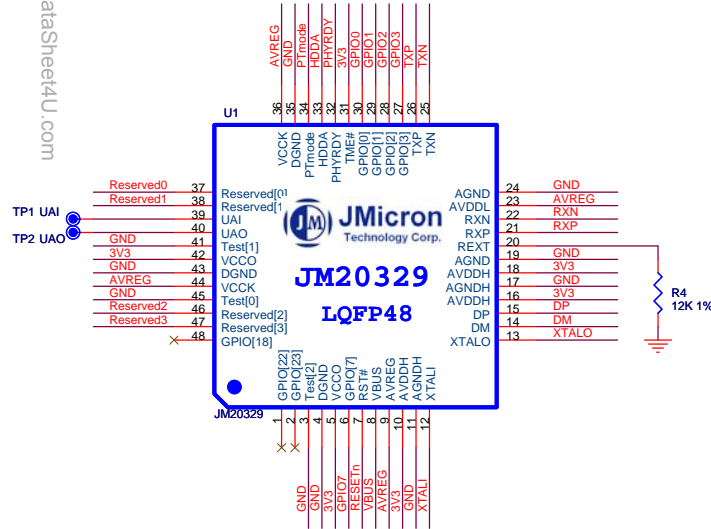
**GPIO2** R\_SET1(4K7) R\_SET2(1K) Power On Detection Sequence.  
1-2 (PD) 2-3 (PU) 0: Enable USB before detecting attached device.  
2-3 (PU) 1-2 (PD) 1: Enable USB after detecting attached device.

Default GPIO2 Pull High

**GPIO0** R\_SET3(4K7) R\_SET4(1K) GPIO0 ATA power down mode  
1-2 (PD) 2-3 (PU) 0: Enable  
2-3 (PU) 1-2 (PD) 1: Disable

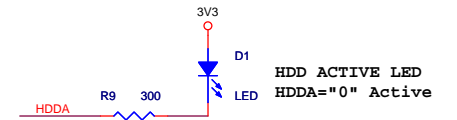
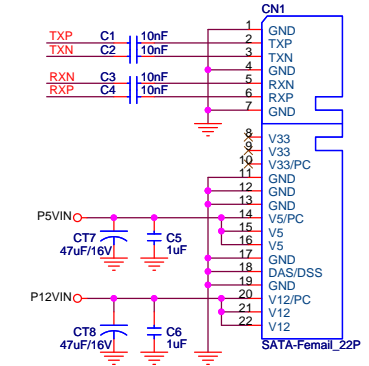
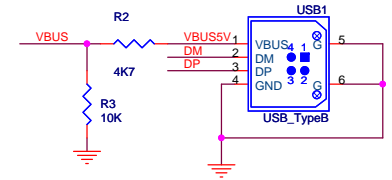
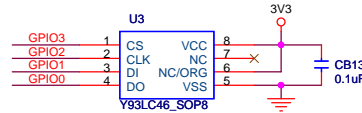
In ATA Power Down Mode, GPIO0 should be pull-down.

www.DataSheet4U.com

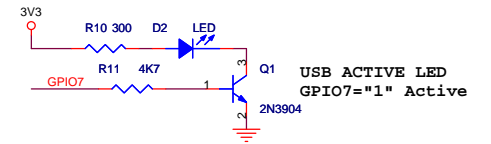


Option function :

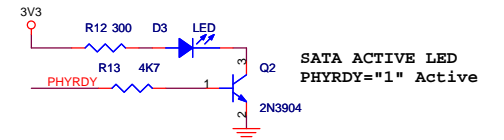
Support EEPROM 93C46



HDD ACTIVE LED  
HDDA="0" Active



USB ACTIVE LED  
GPIO7="1" Active



SATA ACTIVE LED  
PHYRDY="1" Active

www.DataSheet4U.com