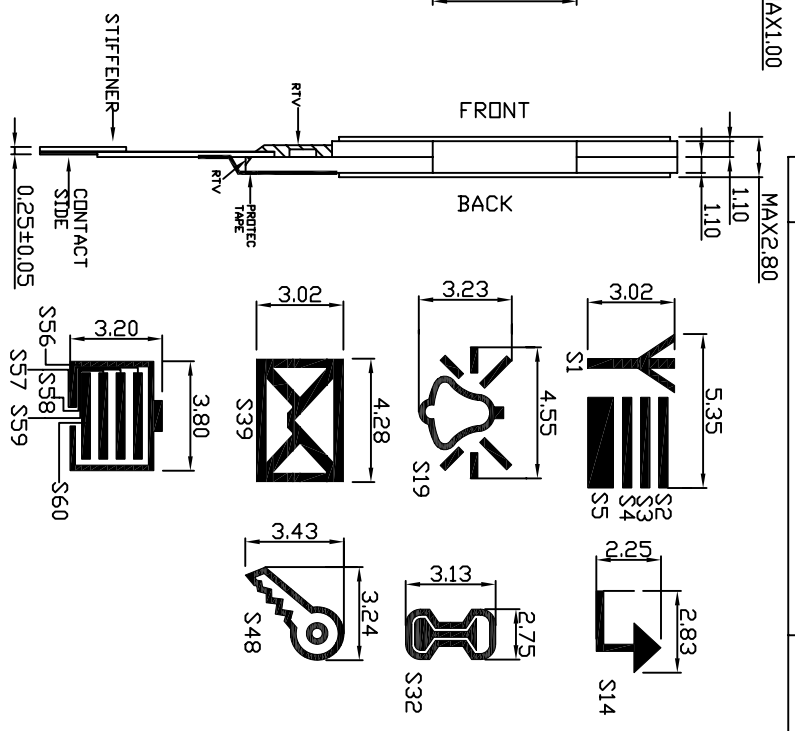


1	2	3	4	5	6	7	8	9
RES	CSB	SCK	SDA	VSS	VDD	VOUT	CAP3	CAP1P
10	11	12	13	14	15	16	17	18
CAP1NC	CAP2P	CAP2N	V0	V1	V2	V3	V4	NC



- NOTE:
- 1.FSTN, POSITIVE, HIGH-TRANSLFECTIVE
  2. 1/26DUTY, 1/5BIAS, VOP:6.2V
  3. VDD: 2.3V±0.2V
  4. VIEWING DIRECTION: 6:00
  5. OP.TEMP: -20°C~+70°C
  6. ST.TEMP: -30°C~+80°C
  7. DRIVER IC: ST7038-0B

ALL ICONS SCALE 2:1

**HTDISPLAY CO., LTD.**

DRAWING No. :HC120301G-FR62N-VA  
DRAWING TITLE: LCM  
FILE NO. : 6

TOLERANCE	
>0~6	±0.10
>6~80	±0.20
>80~240	±0.30
>240~400	±0.50
// L ⊙ ±0.10	

DESIGN	ZDUYS	06.02.18	STANDARD	REV. : A	SCALE : -
CHECKED			TECHNOLOGY	PROJECTION:	UNIT : MM
APPROVED			QA		SHEET : 1/1