

FEATURES

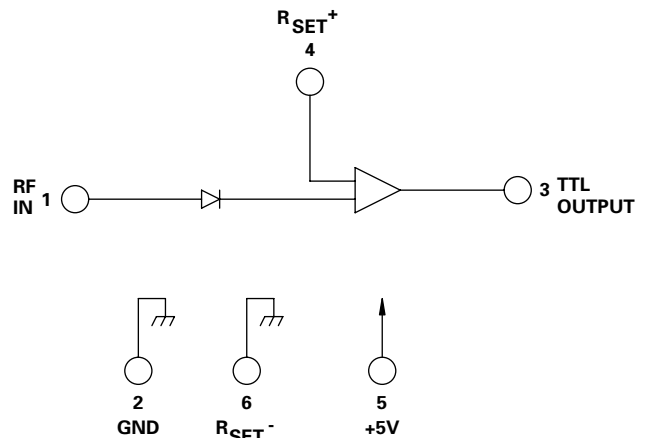
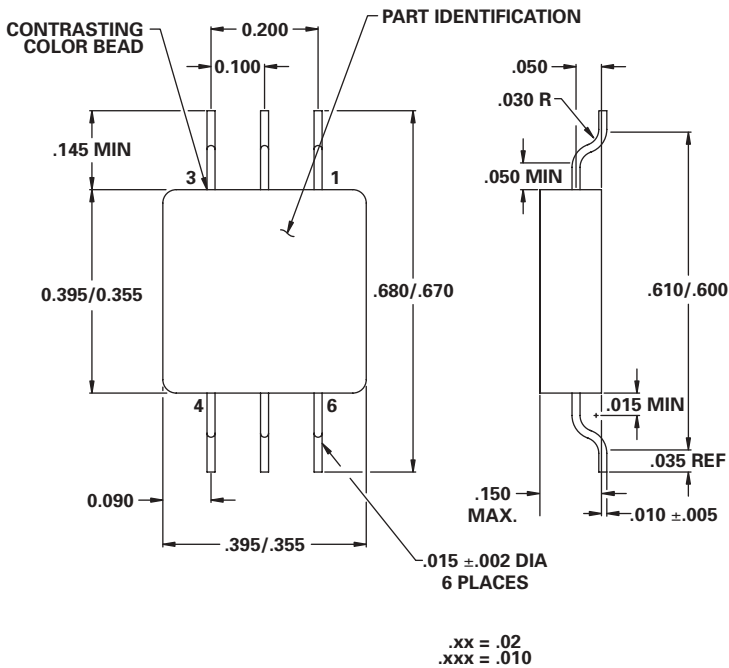
- 500 - 4000 MHz
- -25 to 0 dBm Dynamic Range
- Adjustable Threshold Level
- 1.6 dB Hysteresis
- 1 mA Sink / Source Current
- Stable Over Temperature
- 6 Pin Surface Mount Package



MODEL NO.
DTD05045

Threshold Detector

TD



GUARANTEED PERFORMANCE

Parameter	Min	Typ	Max	Units	Conditions
Operating Frequency	500		4000	MHz	
Dynamic Range	-25		0	dBm	Via an External Resistor
Resistance R _{Set} (+,-)		40		OHMS	-25 dBm at RF In
		12.5		KOHMS	0 dBm at RF In
Hysteresis		1.6		dB	
Temperature Stability		±0.8	±1	dB	
Input Flatness		±0.3		dB	
Response Time ^②		180	400	µSec	50% RF In to 10% / 90% TTL Out
Input VSWR		1.3/1	2.0/1		
Output Current: Source	2	28		mA	V _{OH} = +2.7V
Sink	1	3		mA	V _{OL} = +0.5V
DC Current		3	10	mA	At +5 VDC
Operating Temperature	-55	+25	+85	°C	T _A

Notes: 1. TTL High Indicates P_{In} Greater than Threshold Settings

② Response Time is for Input Change > 3 dB Above CW Threshold Output Loading 1M Ω and 80 pF.

