

OZ9957

FEATURES

- High frequency DC/DC power converter for white and RGB LEDs
- 4.5V to 30.0V input voltage range
- Up to 600KHz switching frequency
- System synchronization
- Synchronization for multiple ICs
- Drives 1 or more strings
- External PWM dimming
- Adjustable PWM phase-shift for dimming control
- Over-voltage, over-current, and open-lamp protection
- Shutdown delay timer
- Soft start
- Low standby current

GENERAL DESCRIPTION

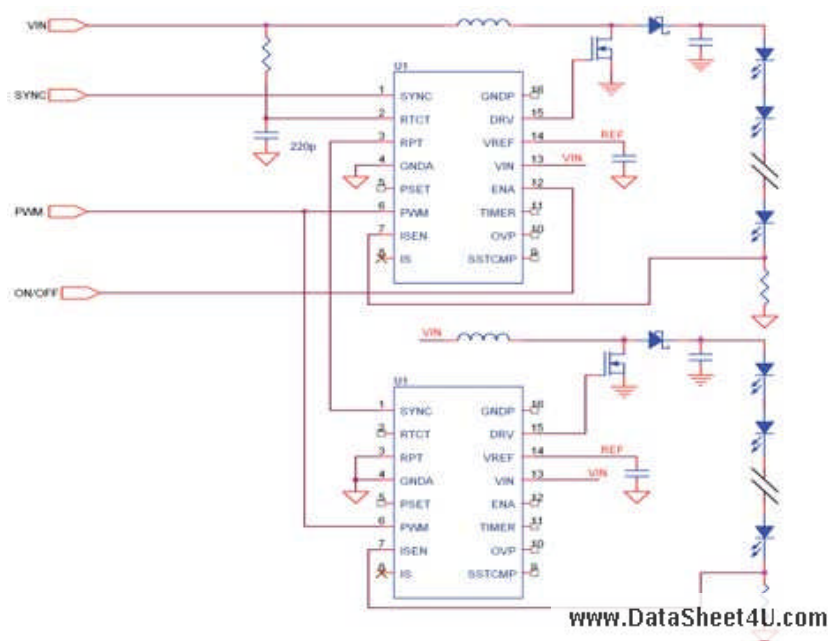
The OZ9957 is a high efficiency, DC/DC controller that can drive either high power white or RGB LEDs connected in a series configuration. It can drive 1 string of up to 20-350mA LEDs in series or multiple strings in parallel using O₂Micro's proprietary LED current balance circuit. The system operating frequency can be set either internally or with an external signal. In addition, multiple ICs are synchronized by either an internal or external signal.

OZ9957 receives an external Pulse Width Modulation (PWM) signal for the dimming control function. It provides the user with over-voltage, over-current, and open-lamp protection features.

APPLICATIONS

- PDVD
- Car TV
- GPS
- Color Display Backlight

APPLICATION DIAGRAM



Patent pending.