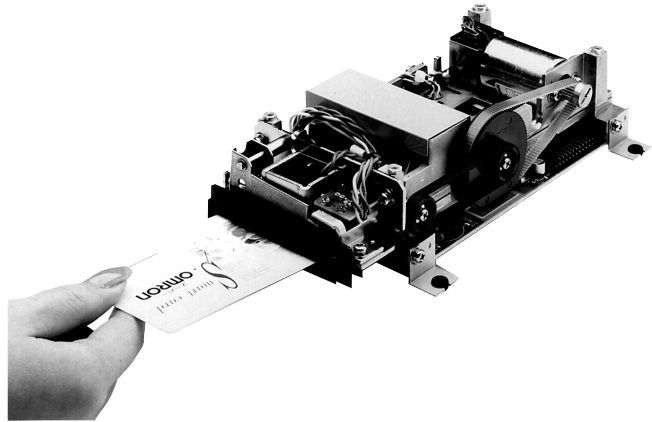


Reliable Reader/Writer Handles Pre-Paid Stored Value Magnetic Cards

- Single track HiCo read/write capability
- Accepts PET or paper cards
- Reads and punches holes for visual confirmation of current value (PET only)
- Highly reliable and durable, with punch unit in die-cast chassis
- Configured for front or rear ejection
- Non-ISO standard encoding



Ordering Information

Magnetic Tracks Supported (R, R/W)					IC Contact	Interface	Built-in Shutter	Card Ejection	Punch Function	Cover	Cable	Color	Part Number	
1	2	3	Center	JIS II										
Non-ISO security track					—	No	TTL	No	Front	Yes	No	No	Black	3S4YR-MPW9
Non-ISO security track					—	No	TTL	No	Front/Rear	Yes	No	No	Black	3S4YR-MPW9B

Note 1: Punch diameter of the above card readers is 1.2 ± 0.3 mm.
 Note 2: Contact your Omron representative for other configurations.

■ TYPICAL APPLICATIONS

- Pre-Paid Card Systems
- Phone Cards
- Public Transportation
- Car Parking Systems
- Car Wash Systems
- Entertainment Centers
- Vending

■ ACCESSORIES

Description	Part Number
Shutter for MPW	SHUTTER MPW

Specifications

Part number		3S4YR-MPW
Recommended card type		PET card: 85.8L x 53.9W mm (3.38L x 2.12W in); thickness: 0.2 mm Paper card: 85.6L x 53.8W mm (3.37L x 2.12W in); thickness: 0.2 mm to 0.3 mm High-coercivity card
Recording method		FM decoding (F2F)
Card feeding speed		35 cm/sec (14 in/sec)
Recording density		210 BPI (72 characters max.)
Motor type		DC motor
Service life (See note)	Punch unit	200,000 times
	Entire unit	500,000 passes (excluding the above mentioned parts)
Operating power supply		24 VDC ± 10%
Current consumption		3 A max.
Mounting location		Indoors away from wind, rain, and sunlight
Ambient temperature	Operation	0° to 50°C (32° to 122°F)
	Storage	-15° to 60°C (5° to 140°F)
Ambient humidity	Operation	35% to 80% RH without condensation
	Storage	20% to 90% RH
Vibration	Operation	1.5 G in X, Y, and Z directions, respectively, for 8 minutes each
	Storage	2.0 G in X, Y, and Z directions, respectively, for 8 minutes each
Shock	Storage	20 G in X, Y, and Z directions, respectively, for 3 times each
Dimensions		195L x 82W x 50H mm (7.68L x 3.23W x 1.97H in)
Weight		About 0.8 kg (1.76 lbs)

Note: One pass denotes one round trip

Engineering Data

■ I/O INFORMATION

3S4YR-MPW Interface Connector

MPW connector (26-pin)

JAE PS-26PLB-D4LT1-FL1 for card reader/writer side.

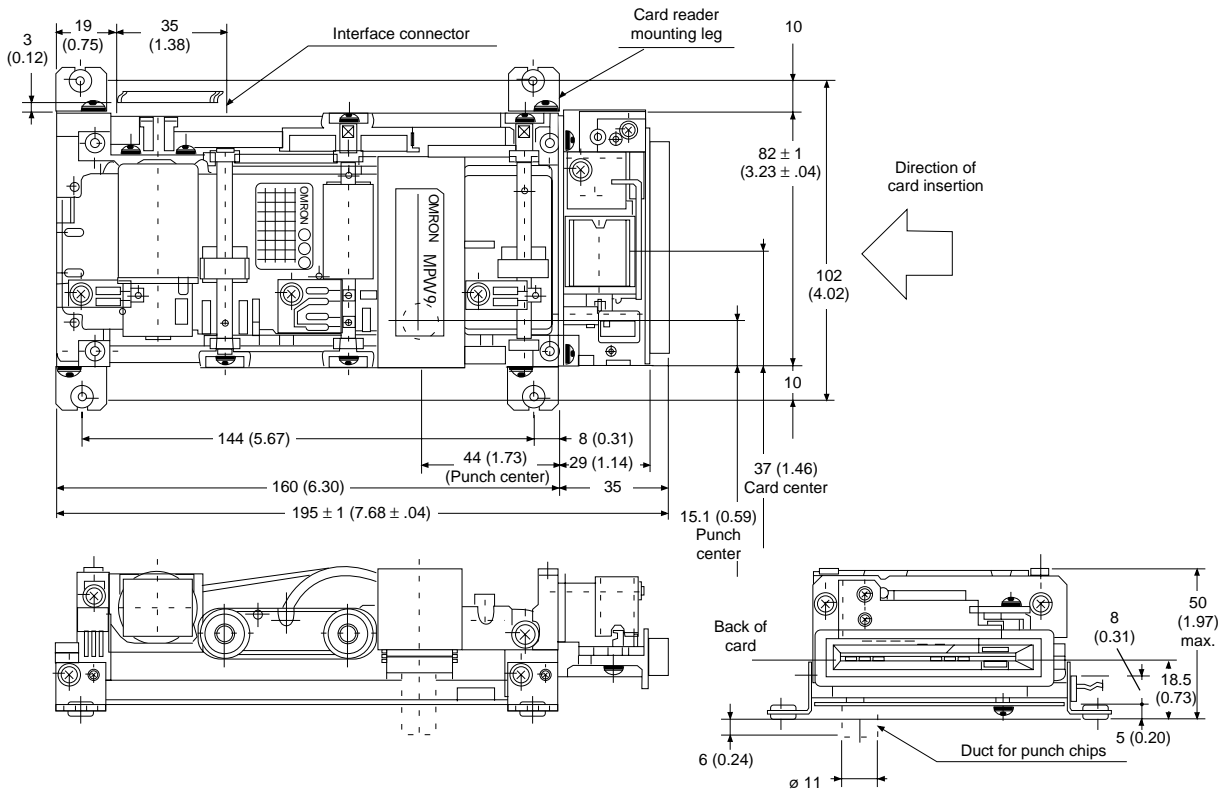
JAE PS-26SLA-D4C2 for the cable side.

Pin #	Signal	Input/Output	Pin #	Signal	Input/Output
1	FG	—	14	SS4	Output
2	FG	—	15	SSH	Output
3	+24 V	—	16	NC	—
4	+24 V	—	17	MSWPE	Input
5	+24 V	—	18	WDT	Input
6	PG	—	19	I/O ON	Input
7	PG	—	20	SHUTT	Input
8	PG	—	21	MSPCO	Input
9	RCP1	Output	22	PUNCH	Input
10	RDD1	Output	23	MREVE	Input
11	SS1	Output	24	MFORW	Input
12	SS2	Output	25	MOCLK	Output
13	SS3	Output	26	MOCP	Output

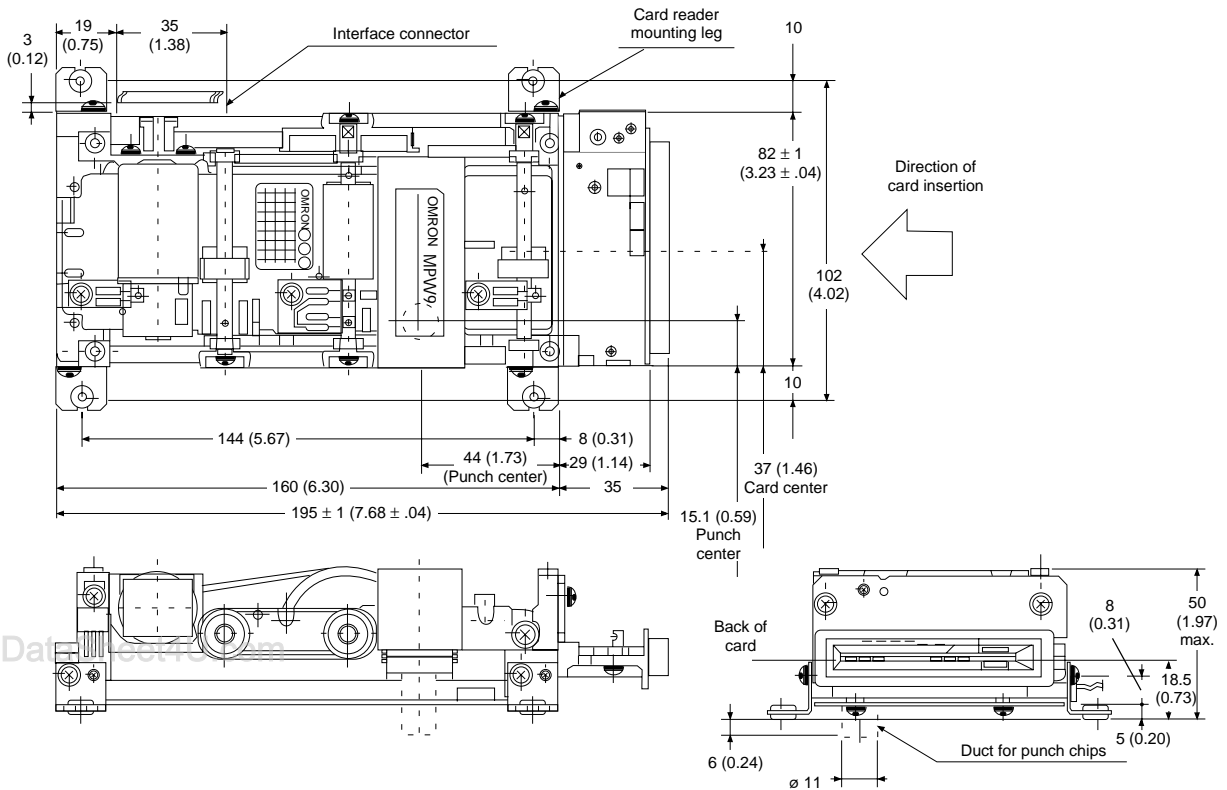
Dimensions

Unit: mm (inch)

■ 3S4YR-MPW with shutter



■ 3S4YR-MPW without shutter



NOTE: DIMENSIONS SHOWN ARE IN MILLIMETERS. To convert millimeters to inches divide by 25.4.

OMRON[®]
OMRON ELECTRONICS, INC.
One East Commerce Drive
Schaumburg, IL 60173
1-800-55-OMRON

OMRON CANADA, INC.
885 Milner Avenue
Scarborough, Ontario M1B 5V8
416-286-6465