



actual size

# Oscillator · PECL · JOE75 · 3.3 V

SMD Oscillator Low Voltage PECL · 7.5 x 5.2 mm

- drives fast PECL logic
- complementary output, low EMI
- reflow soldering temperature: 260 °C max.
- ceramic/metal package



## General Data

type	JOE75 3.3 V	
frequency range	50.0 ~ 170.0 MHz	
higher frequencies on request	170.0 ~ 270.0 MHz	
frequency stability over all*	± 25ppm / ± 50ppm / ± 100ppm see table 1	
current consumption	88mA max.	
supply voltage V <sub>DC</sub>	3.3 V ± 5%	
temperature	operating	-10 °C ~ +70 °C / -40 °C ~ +85 °C
	storage	-55 °C ~ +125 °C
output	rise & fall time	1ns (20% ~ 80% of V <sub>pp</sub> )
	load nom.	50Ω at 1.3 V
	low level max.	1.7 V
	high level min.	2.2 V
output enable time max.	10ms	
output disable time max.	200ns	
start-up time max.	10ms	
standby function	stop	
standby current max.	30μA	
phase jitter 12 kHz ~ 20.0 MHz	< 1.0ps RMS	
period jitter	< 5.0ps RMS	
symmetry at 50% of V <sub>pp</sub>	45% ~ 55% max.	

Table 1: Frequency Stability Code

stability code	A	B	C			
	± 100 ppm	± 50 ppm	± 25 ppm			
-10 °C ~ +70 °C	○	○	▲			
-40 °C ~ +85 °C	○	○				

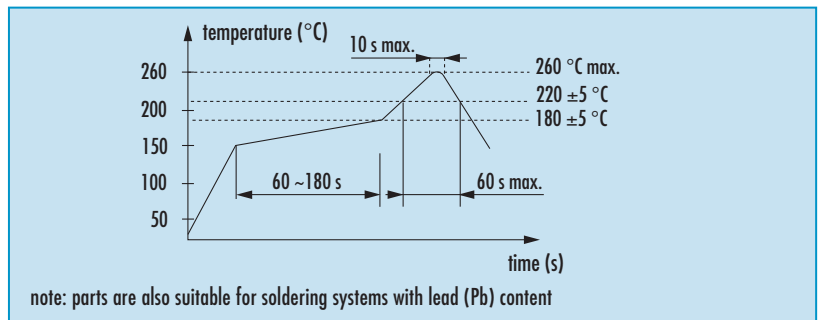
● standard ○ available ▲ excludes shock & vibration

\* includes stability at 25 °C, operating temp. range, supply voltage change, shock and vibration, aging 1st year.

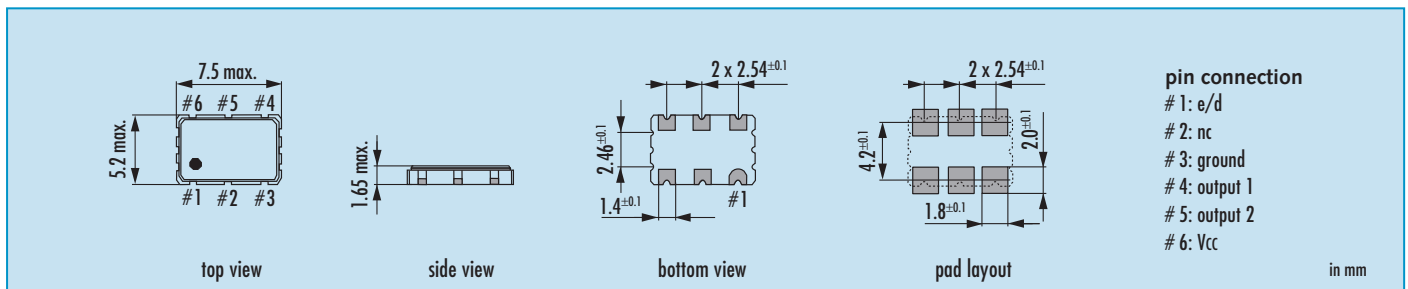
## Enable / Disable Function

pin #1 (e/d control)	pin #4 / #5 (outputs)	
open or ≥ 0.7 V <sub>CC</sub>	enable	
gnd or ≤ 0.3 V <sub>CC</sub>	high impedance	

## Reflow Soldering Profile



## Dimensions



## Order Information

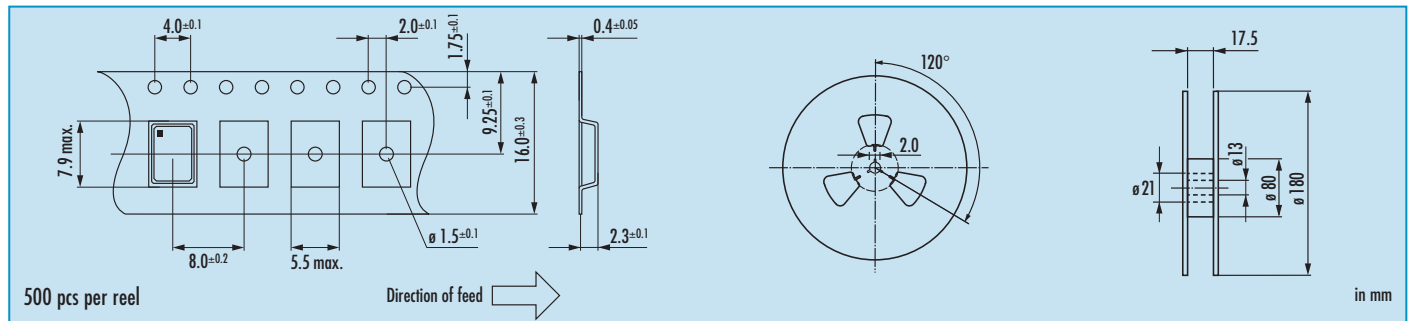
0	frequency in MHz	type	frequency stability code	supply voltage in Volt	option
Oscillator	50.0 ~ 170.0 MHz > 170 MHz on request	JOE75	see table 1	3.3 = 3.3 V	blank = -10 °C ~ +70 °C T1 = -40 °C ~ +85 °C

Example: O 155.520-JOE75-B-3.3-T1 (Suffix LF = RoHS compliant / Pb free pins or pads)



# Oscillator · PECL · JOE75 · 3.3 V

## Taping Specification



## Packing Note

- standard packing units are 500 pieces per reel
- non-multiple packing units are only supplied taped / bulk

## Marking

type / stability code / voltage code  
 frequency  
 company code / date code

date code:  
 A ~ M: Jan.- Dec.  
 9: 2009  
 0: 2010  
 1: 2011

Jan.	Febr.	Mar.	Apr.	May	June
A	B	C	D	E	F
July	Aug.	Sept.	Oct.	Nov.	Dec.
G	H	J	K	L	M