

ER800D THRU ER804D

D²PAK SURFACE MOUNT SUPERFAST RECOVERY RECTIFIER

VOLTAGE - 50 to 400 Volts CURRENT - 8.0 Amperes

FEATURES

- Plastic package has Underwriters Laboratory Flammability Classification 94V-O utilizing Flame Retardant Epoxy Molding Compound
- Exceeds environmental standards of MIL-S-19500/228
- Low power loss, high efficiency
- Low forward voltage, high current capability
- High surge capacity
- Super fast recovery times, high voltage
- Epitaxial chip construction

MECHANICAL DATA

Case: D²PAK/TO-263 molded plastic

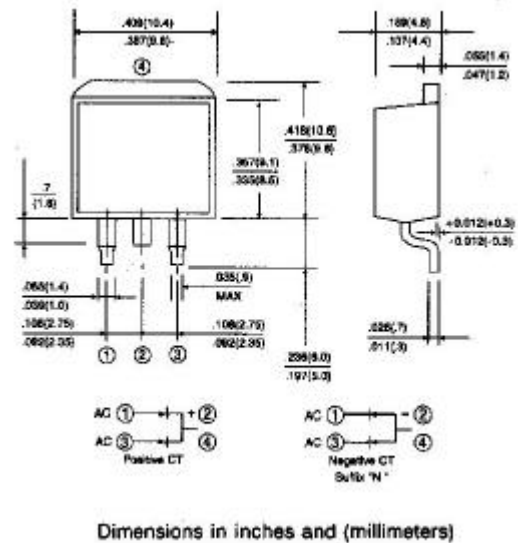
Terminals: Leads, solderable per MIL-STD-202, Method 208

Polarity: As marked

Mounting Position: Any

Weight: 0.06 ounce, 1.7 gram

D²PAK/TO-263



MAXIMUM RATINGS AND ELECTRICAL CHARACTERISTICS

Ratings at 25 °C ambient temperature unless otherwise specified.

Single phase, half wave, 60Hz, Resistive or inductive load.

For capacitive load, derate current by 20%.

	ER800D	ER801D	ER801AD	ER802D	ER803D	ER804D	UNITS
Maximum Recurrent Peak Reverse Voltage	50	100	150	200	300	400	V
Maximum RMS Voltage	35	70	105	140	210	320	V
Maximum DC Blocking Voltage	50	100	150	200	300	400	V
Maximum Average Forward Rectified Current at T _C =100	8.0						A
Peak Forward Surge Current, 8.3ms single half sine-wave superimposed on rated load(JEDEC method)	125						A
Maximum Forward Voltage at 8.0A per element	0.975				1.30		V
Maximum DC Reverse Current at Rated T _C =25	10						A
DC Blocking Voltage per element T _C =100	300						
Typical Junction capacitance (Note 1)	62						pF
Maximum Reverse Recovery Time(Note 2)	35			50			ns
Typical Thermal Resistance(Note 3) R _{JC}	3.0						/W
Operating and Storage Temperature Range T _J	-55 to +150						

NOTES:

1. Measured at 1 MHz and applied reverse voltage of 4.0 VDC
2. Reverse Recovery Test Conditions: I_F=.5A, I_R=1A, I_{rr}=.25A

3. Thermal resistance junction to CASE
 RATING AND CHARACTERISTIC CURVES
 ER800D THRU ER804D

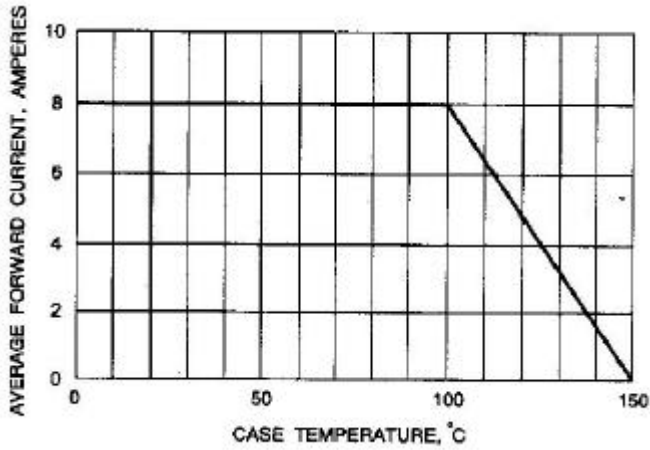


Fig. 1-FORWARD CURRENT DERATING CURVE

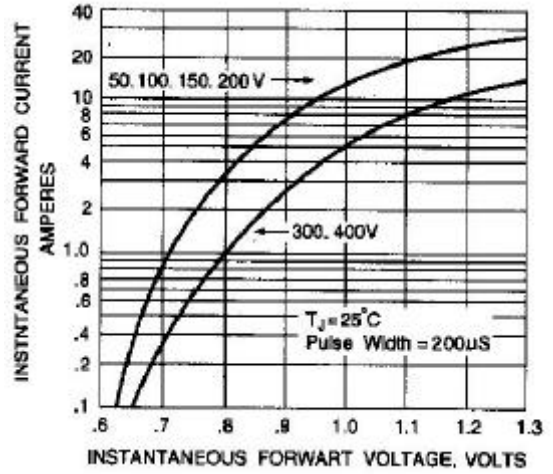


Fig. 2-TYPICAL INSTANTANEOUS FORWARD CHARACTERISTIC

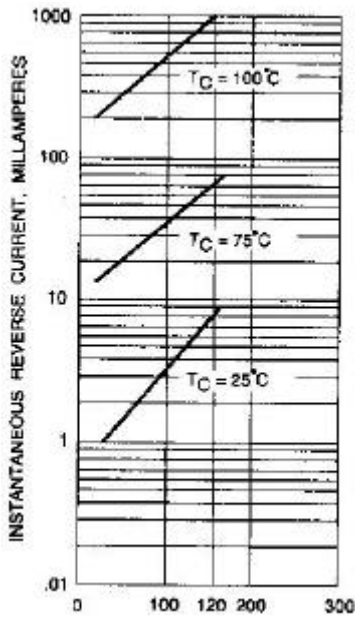


Fig. 3-TYPICAL REVERSE CHARACTERISTICS

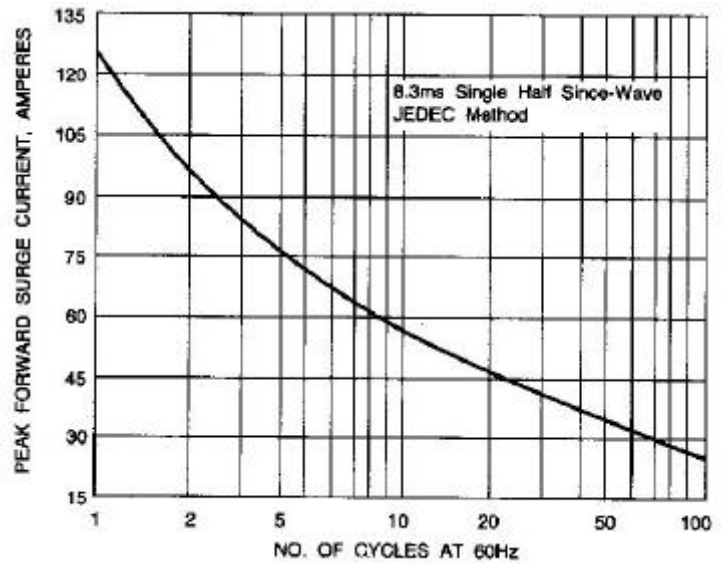


Fig. 4-MAXIMUM NON-REPETITIVE SURGE CURRENT

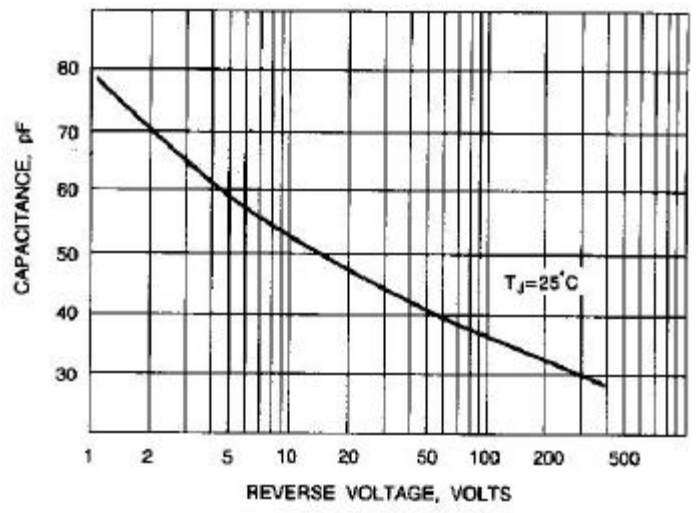


Fig. 5-TYPICAL JUNCTION CAPACITANCE