

DATA SHEET

mifare[®] & I·CODE

CL RC632

Multiple Protocol Contactless Reader IC

Product Specification

May 2003

Revision 3.0

Confidential

Multiple Protocol Contactless Reader IC

CL RC632

CONTENTS

1	GENERAL INFORMATION	7
1.1	Scope	7
1.2	General Description.....	7
1.3	Features	8
1.4	Ordering Information	8
2	BLOCK DIAGRAM	9
3	PINNING INFORMATION	10
3.1	Pin Configuration.....	10
3.2	Pin Description	11
4	DIGITAL INTERFACE	13
4.1	Overview of Supported μ -Processor Interfaces	13
4.2	Automatic μ -Processor Interface Type Detection	13
4.3	Connection to Different μ -Processor Types	14
4.3.1	Separated Read/Write Strobe	14
4.3.2	Common Read/Write Strobe	15
4.3.3	Common Read/Write Strobe and Hand-Shake Mechanism: EPP	16
4.4	SPI compatible interface	17
5	CL RC632 REGISTER SET	20
5.1	CL RC632 Registers Overview	20
5.1.1	Register Bit Behaviour.....	22
5.2	Register Description	23
5.2.1	Page 0: Command and Status	23
5.2.2	Page 1: Control and Status	31
5.2.3	Page 2: Transmitter and Control	38
5.2.4	Page 3: Receiver and Decoder Control	44
5.2.5	Page 4: RF-Timing and Channel Redundancy	51
5.2.6	Page 5: FIFO, Timer and IRQ- Pin Configuration	58
5.2.7	Page 6: RFU.....	63
5.2.8	Page 7: Test Control	64
5.3	CL RC632 Register Flags Overview	68
5.4	Modes of Register Addressing	72
5.4.1	Paging Mechanism.....	72
5.4.2	Dedicated Address Bus.....	72
5.4.3	Multiplexed Address Bus.....	72
6	MEMORY ORGANISATION OF THE E²PROM	73
6.1	Diagram of the E ² PROM Memory Organisation.....	73
6.2	Product Information Field (Read Only).....	74

Multiple Protocol Contactless Reader IC

CL RC632

6.3	Register Initialisation Files (Read/Write).....	75
6.3.1	Start Up Register Initialisation File (Read/Write).....	75
6.3.2	Shipment Content of Start Up Register Initialisation File.....	76
6.3.3	Register Initialisation File (Read/Write).....	77
6.3.4	Content of I [●] CODE1 and ISO15693 S ^T art Up Register Values.....	78
6.4	Crypto1 Keys (Write Only).....	78
6.4.1	Key Format.....	79
6.4.2	Storage of Keys in the E ² PROM.....	79
7	FIFO BUFFER.....	80
7.1	Overview.....	80
7.2	Accessing the FIFO Buffer.....	80
7.2.1	Access Rules.....	80
7.3	Controlling the FIFO-Buffer.....	81
7.4	Status Information about the FIFO-Buffer.....	81
7.5	Register Overview FIFO Buffer.....	82
8	INTERRUPT REQUEST SYSTEM.....	83
8.1	Overview.....	83
8.1.1	Interrupt Sources Overview.....	83
8.2	Implementation of Interrupt Request Handling.....	84
8.2.1	Controlling Interrupts and their Status.....	84
8.2.2	Accessing the Interrupt Registers.....	84
8.3	Configuration of Pin IRQ.....	84
8.4	Register Overview Interrupt Request System.....	85
9	TIMER UNIT.....	86
9.1	Overview.....	86
9.2	Implementation of the Timer Unit.....	87
9.2.1	Block Diagram.....	87
9.2.2	Controlling the Timer Unit.....	88
9.2.3	Timer Unit Clock and Period.....	88
9.2.4	Status of the Timer Unit.....	89
9.2.5	TimeSlotPeriod.....	89
9.3	Usage of the Timer Unit.....	90
9.3.1	Time-Out- and Watch-Dog-Counter.....	90
9.3.2	Stop Watch.....	91
9.3.3	Programmable One-Shot Timer.....	91
9.3.4	Periodical Trigger.....	91
9.4	Register Overview Timer Unit.....	92
10	POWER REDUCTION MODES.....	93
10.1	Hard Power Down.....	93
10.2	Soft Power Down.....	93

Multiple Protocol Contactless Reader IC

CL RC632

10.3	Stand By Mode	94
10.4	Receiver Power Down	94
11	START UP PHASE	95
11.1	Hard Power Down Phase	95
11.2	Reset Phase	95
11.3	Initialising Phase	95
11.4	Initialising the Parallel Interface-Type	96
12	OSCILLATOR CIRCUITRY	97
13	TRANSMITTER PINS TX1 AND TX2	98
13.1	Configuration of TX1 and TX2	98
13.2	Operating Distance versus Power Consumption	99
13.3	Antenna Driver Output Source Resistance	99
13.3.1	Source Resistance Table	100
13.3.2	Formula for the Source Resistance	101
13.3.3	Calculating the Effective Source Resistance	101
13.4	Pulse Width	102
14	RECEIVER CIRCUITRY	103
14.1	General	103
14.2	Block Diagram	103
14.3	Putting the Receiver into Operation	104
14.3.1	Automatic Clock-Q Calibration	104
14.3.2	Amplifier	105
14.3.3	Correlation Circuitry	106
14.3.4	Evaluation and Digitizer Circuitry	106
15	SERIAL SIGNAL SWITCH	107
15.1	General	107
15.2	Block Diagram	107
15.3	Registers Relevant for the Serial Signal Switch	108
15.3.1	Active Antenna Concept	109
15.3.2	Driving Two RF-Parts	109
16	MIFARE® HIGHER BAUDRATES	110
17	ISO14443 B	111
18	CL RC632 COMMAND SET	112
18.1	General Description	112
18.2	General Behaviour	112
18.3	CL RC632 Commands Overview	112
18.3.1	Basic States	114
18.3.2	StartUp Command 3F _{hex}	114

Multiple Protocol Contactless Reader IC

CL RC632

18.3.3	Idle Command 00 _{hex}	114
18.4	Commands for ISO14443 A Card Communication	115
18.4.1	Transmit Command 1A _{hex}	115
18.4.2	Receive Command 16 _{hex}	119
18.4.3	Transceive Command 1E _{hex}	122
18.4.4	States of the Card Communication	122
18.4.5	State Diagram for the Card Communication	123
18.5	Commands for I ² CODE1 and ISO15693 Label Communication	124
18.5.1	Transmit Command 1A _{hex}	124
18.5.2	Receive Command 16 _{hex}	126
18.5.3	Transceive Command 1E _{hex}	128
18.5.4	States of the Label Communication	128
18.5.5	State Diagram for the Label Communication	128
18.6	Commands to Access the E ² PROM	130
18.6.1	WriteE2 Command 01 _{hex}	130
18.6.2	ReadE2 Command 03 _{hex}	132
18.7	Diverse Commands	132
18.7.1	LoadConfig Command 07 _{hex}	132
18.7.2	CalcCRC Command 12 _{hex}	133
18.8	Error Handling during Command Execution	134
18.9	MIFARE [®] Classic Security Commands	135
18.9.1	LoadKeyE2 Command 0B _{hex}	135
18.9.2	LoadKey Command 19 _{hex}	135
18.9.3	Authent1 Command 0C _{hex}	136
18.9.4	Authent2 Command 14 _{hex}	136
19	MIFARE[®] CLASSIC AUTHENTICATION AND CRYPTO1	137
19.1	General	137
19.2	Crypto1 Key Handling	137
19.3	Performing MIFARE [®] Classic Authentication	138
20	TYPICAL APPLICATION	139
20.1	Circuit Diagram	139
20.2	Circuit Description	140
20.2.1	EMC Low Pass Filter	140
20.2.2	Antenna matching	140
20.2.3	Receiving Circuit	141
20.2.4	Antenna Coil	141
21	TEST SIGNALS	142
21.1	General	142
21.2	Measurements Using the Serial Signal Switch	142
21.2.1	Tx-Control	143
21.2.2	Rx-control	144

Multiple Protocol Contactless Reader IC

CL RC632

21.3	Analog Test-Signals	145
21.4	Digital Test-Signals	146
21.5	Examples of ISO14443A Analog- and Digital Test Signals	147
21.6	Examples of I•CODE1 Analog- and Digital Test Signals	148
22	ELECTRICAL CHARACTERISTICS	149
22.1	Absolute Maximum Ratings.....	149
22.2	Operating Condition Range.....	149
22.3	Current Consumption	149
22.4	Pin Characteristics	150
22.4.1	Input Pin Characteristics	150
22.4.2	Digital Output Pin Characteristics	151
22.4.3	Antenna Driver Output Pin Characteristics	151
22.5	AC Electrical Characteristics	152
22.5.1	AC Symbols.....	152
22.5.2	AC Operating Specification	153
22.5.3	Clock Frequency	157
23	E²PROM CHARACTERISTICS	158
24	ESD SPECIFICATION	159
25	PACKAGE OUTLINES	160
25.1	SO32	160
26	DISCLAIMERS.....	161
26.1	Life support applications.....	161
26.2	Licence Policy	161
27	REVISION HISTORY	162
27.1	Update from Revision 2.0 to Revision 3.0.....	162
27.2	Versions Up to Revision 3.0.....	162
	Contact Information.....	163

Multiple Protocol Contactless Reader IC

CL RC632

1 GENERAL INFORMATION

1.1 Scope

This document describes the functionality of the CL RC632. It includes the functional and electrical specifications and gives details on how to design-in this device from system and hardware viewpoint.

1.2 General Description

The CL RC632 is member of a new family of highly integrated reader ICs for contactless communication at 13.56 MHz. This reader IC family utilises an outstanding modulation and demodulation concept completely integrated for all kinds of passive contactless communication methods and protocols at 13.56 MHz. The CL RC632 is pin-compatible to the MF RC500, the MF RC530, the MF RC531 and the SL RC 400.

The CL RC632 supports all layers of the ISO14443 including the type A and type B communication scheme. The CL RC632 supports contactless communication using MIFARE[®] Higher Baudrates. The receiver part provides a robust and efficient implementation of a demodulation and decoding circuitry for signals from ISO14443 compatible transponders.

The digital part handles the complete ISO14443 framing and error detection (Parity & CRC). Additionally it supports the fast MIFARE[®] Classic security algorithm to authenticate MIFARE[®] Classic (e.g. MIFARE[®] Standard, MIFARE[®] Light) products.

The CL RC632 supports all layers of I[●]CODE1 and ISO 15693. The receiver part provides a robust and efficient implementation of a demodulation and decoding circuitry for signals from I[●]CODE1 and ISO 15693 compatible transponders. The digital part handles I[●]CODE1 and ISO 15693 framing and error detection (CRC).

The internal transmitter part is able to drive an antenna designed for proximity operating distance (up to 100 mm) directly without additional active circuitry.

A comfortable parallel interface, which can be directly connected to any 8-bit μ -Processor gives high flexibility for the reader/terminal design.

Additionally a SPI compatible interface is supported.

Multiple Protocol Contactless Reader IC

CL RC632

1.3 Features

- Highly integrated analog circuitry to demodulate and decode card/label response
- Buffered output drivers to connect an antenna with minimum number of external components
- Proximity operating distance (up to 100 mm)
- Supports ISO 14443 A&B
- Supports MIFARE[®] Dual Interface Card ICs and supports MIFARE[®] Classic protocol
- Supports contactless communication with MIFARE[®] higher baudrates up to 424 kbaud
- Supports I²C and ISO 15693
- Crypto1 and secure non-volatile internal key memory
- Pin-compatible to the MF RC500, MF RC530, MF RC531 and the SL RC400
- Parallel μ -Processor interface with internal address latch and IRQ line
- SPI compatible interface
- Flexible interrupt handling
- Automatic detection of parallel μ -Processor interface type
- Comfortable 64 byte send and receive FIFO-buffer
- Hard reset with low power function
- Power down mode per software
- Programmable timer
- Unique serial number
- User programmable start-up configuration
- Bit- and byte-oriented framing
- Independent power supply pins for digital, analog and transmitter part
- Internal oscillator buffer to connect 13.56 MHz quartz, optimised for low phase jitter
- Clock frequency filtering
- 3.3 V to 5 V operation for transmitter (antenna driver) in short range and proximity applications
- 3.3 V or 5V operation for the digital part

1.4 Ordering Information

Type Number	Package	
	Name	Description
CL RC632 01T/0FE	SO32	Small Outline Package; 32 leads

Table 1-1: CL RC632 Ordering Information

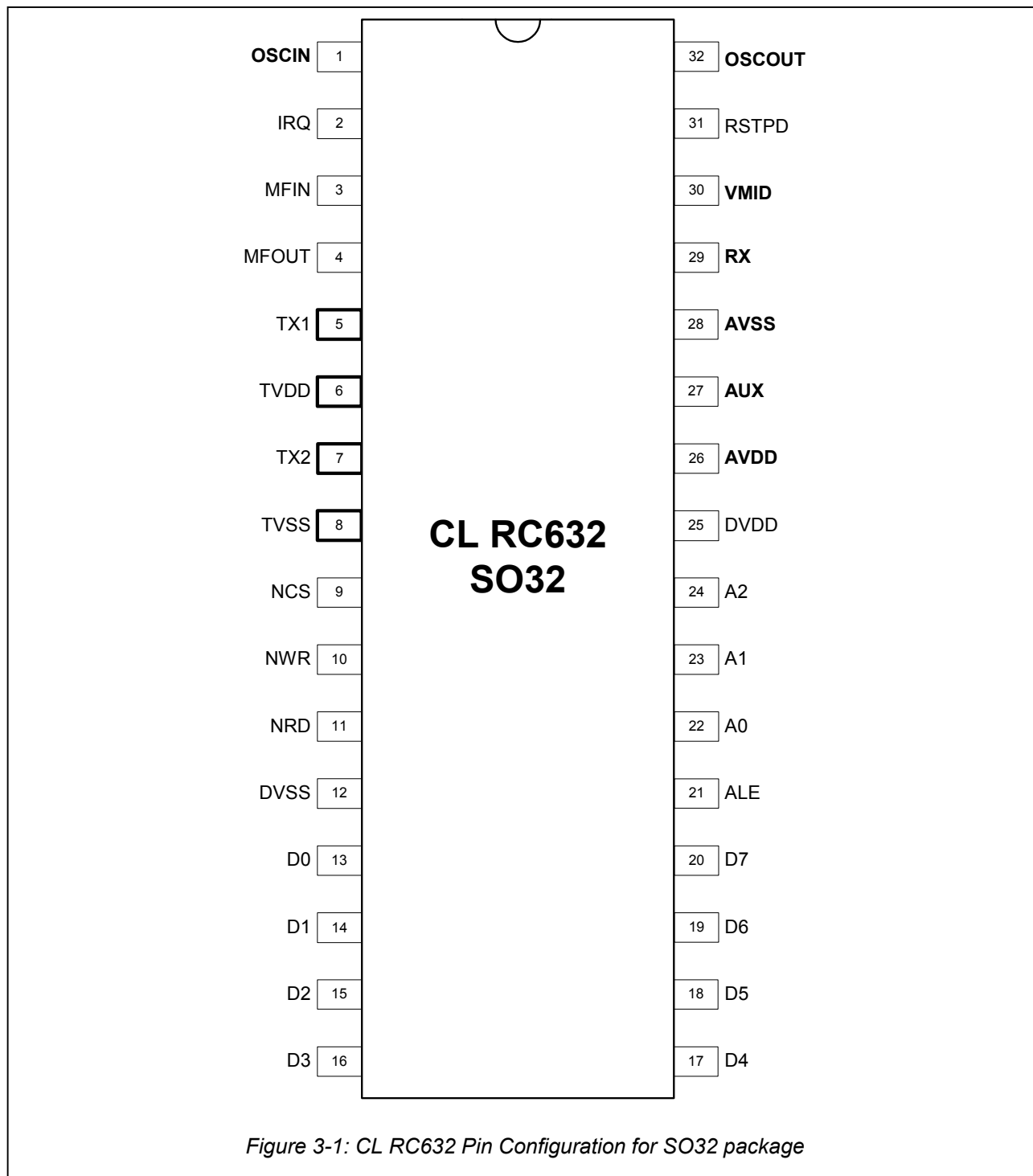
Multiple Protocol Contactless Reader IC

CL RC632

3 PINNING INFORMATION

3.1 Pin Configuration

Pins denoted by bold letters are supplied by AVDD and AVSS. Pins drawn with bold lines are supplied by TVSS and TVDD. All other pins are supplied by DVDD and DVSS.



Multiple Protocol Contactless Reader IC

CL RC632

3.2 Pin Description

Pin Types: I...Input; O...Output; PWR...Power

PIN	SYMBOL	TYPE	DESCRIPTION
1	OSCIN	I	Crystal Oscillator Input: input to the inverting amplifier of the oscillator. This pin is also the input for an externally generated clock ($f_{osc} = 13.56$ MHz).
2	IRQ	O	Interrupt Request: output to signal an interrupt event
3	MFIN	I	MIFARE® Interface Input: accepts a digital, serial data stream according to ISO14443A (MIFARE®)
4 ²	MFOUT	O	MIFARE® Interface Output: delivers a serial data stream according to ISO14443A (MIFARE®) I•CODE Interface Output: delivers a serial data stream according to I•CODE1 and ISO 15693
5	TX1	O	Transmitter 1: delivers the modulated 13.56 MHz energy carrier
6	TVDD	PWR	Transmitter Power Supply: supplies the output stage of TX1 and TX2
7	TX2	O	Transmitter 2: delivers the modulated 13.56 MHz energy carrier
8	TVSS	PWR	Transmitter Ground: supplies the output stage of TX1 and TX2
9	NCS	I	Not Chip Select: selects and activates the μ -Processor interface of the CL RC632
10 ¹	NWR	I	Not Write: strobe to write data (applied on D0 to D7) into the CL RC632 register
	R/NW	I	Read Not Write: selects if a read or write cycle shall be performed.
	nWrite	I	Not Write: selects if a read or write cycle shall be performed
11 ¹	NRD	I	Not Read: strobe to read data from the CL RC632 register (applied on D0 to D7)
	NDS	I	Not Data Strobe: strobe for the read and the write cycle
	nDStrb	I	Not Data Strobe: strobe for the read and the write cycle
12	DVSS	PWR	Digital Ground
13	D0	O	Master In Slave Out (MISO), SPI interface,
13	D0 to D7	I/O	8 Bit Bi-directional Data Bus
... 20 ¹	AD0 to AD7	I/O	8 Bit Bi-directional Address and Data Bus
21 ¹	ALE	I	Address Latch Enable: signal to latch AD0 to AD5 into the internal address latch when HIGH.
	AS	I	Address Strobe: strobe signal to latch AD0 to AD5 into the internal address latch when HIGH.
	nAStrb	I	Not Address Strobe: strobe signal to latch AD0 to AD5 into the internal address latch when LOW.
	NSS	I	Not Slave Select: strobe for the SPI communication
22 ¹	A0	I	Address Line 0: Bit 0 of register address
	nWait	O	Not Wait: signals with LOW that an access-cycle may started and with HIGH that it may be finished.
	MOSI	I	Master Out Slave In, SPI interface

PIN Description (continued)

¹ These pins offer different functionality according to the selected μ -Processor interface type. For detailed information, refer to chapter 4.

² The SL RC400 uses the name SIGOUT for the MFOUT pin. The CLRC 632 functionality includes the test possibilities for the SL RC 400 using the pin MFOUT.

Multiple Protocol Contactless Reader IC

CL RC632

PIN	SYMBOL	TYPE	DESCRIPTION
23	A1	I	Address Line 1: Bit 1 of register address
24 ¹	A2	I	Address Line 2: Bit 2 of register address
	SCK	I	Serial Clock: Clock for the SPI interface
25	DVDD	PIWR	Digital Power Supply
26	AVDD	PWR	Analog Power Supply
27	AUX	O	Auxiliary Output: This pin delivers analog test signals. The signal delivered on this output may be selected by means of the <i>TestAnaOutSel Register</i> .
28	AVSS	PWR	Analog Ground
29	RX	I	Receiver Input: Input pin for the cards response, which is the load modulated 13.56 MHz energy carrier, that is coupled out from the antenna circuit.
30	VMID	PWR	Internal Reference Voltage: This pin delivers the internal reference voltage. <u>Note:</u> It has to be supported by means of a 100 nF block capacitor.
31	RSTPD	I	Reset and Power Down: When HIGH, internal current sinks are switched off, the oscillator is inhibited, and the input pads are disconnected from the outside world. With a negative edge on this pin the internal reset phase starts.
32	OSCOUT	O	Crystal Oscillator Output: Output of the inverting amplifier of the oscillator.

Table 3-1: CL RC632 Pin Description

Multiple Protocol Contactless Reader IC

CL RC632

4 DIGITAL INTERFACE

4.1 Overview of Supported μ -Processor Interfaces

The CL RC632 supports direct interfacing of various μ -Processors. Alternatively the Enhanced Parallel Port (EPP) of personal computers can be connected directly. The following table shows the parallel interface signals supported by the CL RC632:

Bus Control Signals	Bus	Separated Address and Data Bus	Multiplexed Address and Data Bus
Separated Read and Write Strobes	control	NRD, NWR, NCS	NRD, NWR, NCS, ALE
	address	A0, A1, A2	AD0, AD1, AD2, AD3, AD4, AD5
	data	D0 ... D7	AD0 ... AD7
Common Read and Write Strobe	control	R/NW, NDS, NCS	R/NW, NDS, NCS, AS
	address	A0, A1, A2	AD0, AD1, AD2, AD3, AD4, AD5
	data	D0 ... D7	AD0 ... AD7
Common Read and Write Strobe with Handshake (EPP)	control	-	nWrite, nDStrb, nAStrb, nWait
	address		AD0, AD1, AD2, AD3, AD4, AD5
	data		AD0 ... AD7

Table 4-1: Supported μ -Processor Interface Signals

4.2 Automatic μ -Processor Interface Type Detection

After every Power-On or Hard Reset, the CL RC632 also resets its parallel μ -Processor interface mode and checks the current μ -Processor interface type.

The CL RC632 identifies the μ -Processor interface by means of the logic levels on the control pins after the Reset Phase. This is done by a combination of fixed pin connections (see below) and a dedicated initialisation routine (see 11.4).

Multiple Protocol Contactless Reader IC

CL RC632

4.3 Connection to Different μ -Processor Types

The connection to different μ -Processor types is shown in the following table:

CL RC632	Parallel Interface Type				
	Separated Read/Write Strobe		Common Read/Write Strobe		
	Dedicated Address Bus	Multiplexed Address Bus	Dedicated Address Bus	Multiplexed Address Bus	Multiplexed Address Bus with Handshake
ALE	HIGH	ALE	HIGH	AS	nAStb
A2	A2	LOW	A2	LOW	HIGH
A1	A1	HIGH	A1	HIGH	HIGH
A0	A0	HIGH	A0	LOW	nWait
NRD	NRD	NRD	NDS	NDS	nDStb
NWR	NWR	NWR	R/NW	R/NW	nWrite
NCS	NCS	NCS	NCS	NCS	LOW
D7 ... D0	D7 ... D0	AD7 ... AD0	D7 ... D0	AD7 ... AD0	AD7 ... AD0

Table 4-2: Connection Scheme for Detecting the Parallel Interface Type

4.3.1 SEPARATED READ/WRITE STROBE

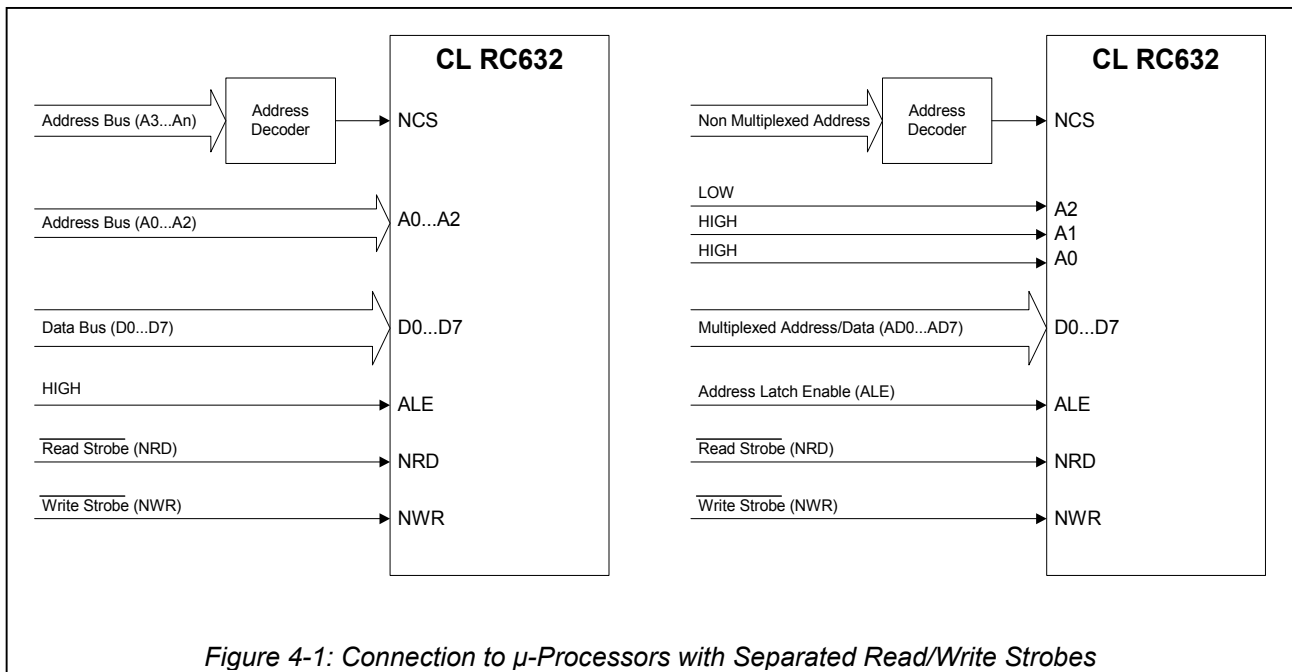


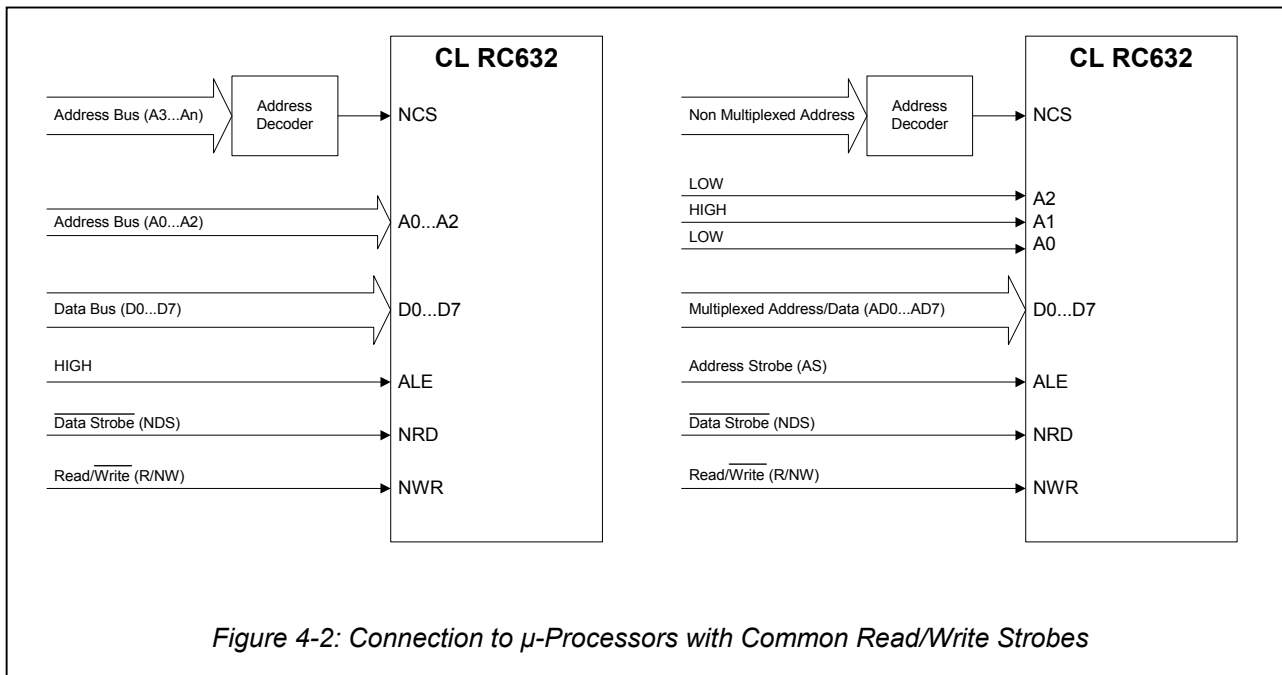
Figure 4-1: Connection to μ -Processors with Separated Read/Write Strobes

For timing specification refer to chapter 22.5.2.1.

Multiple Protocol Contactless Reader IC

CL RC632

4.3.2 COMMON READ/WRITE STROBE

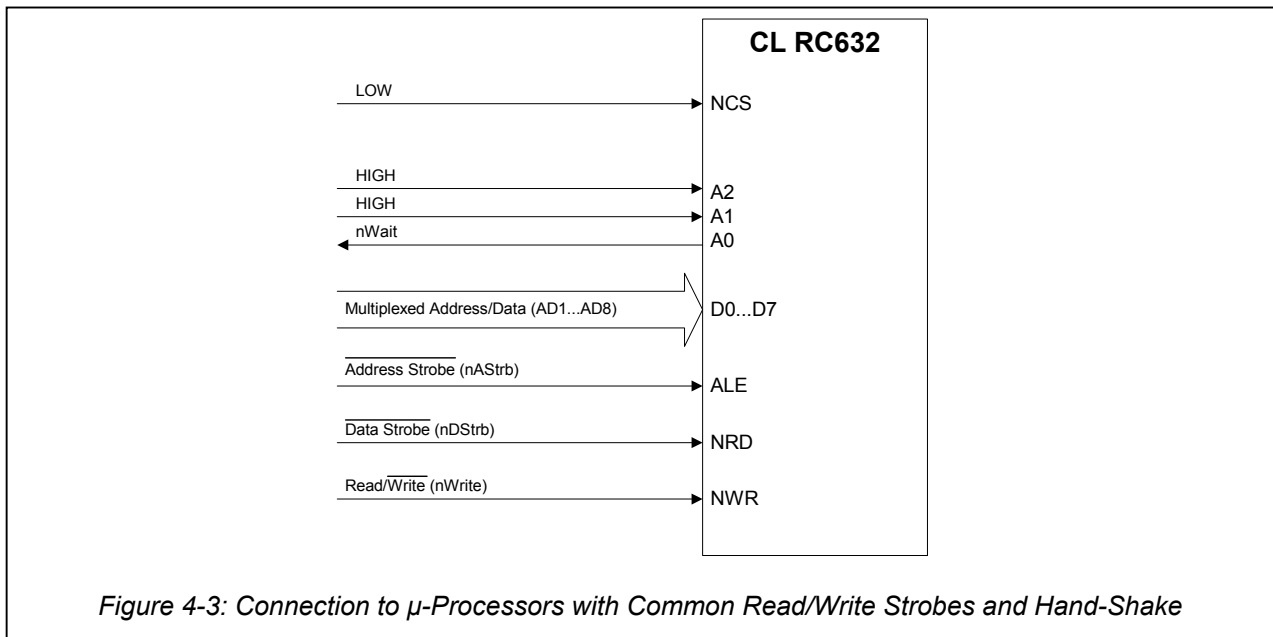


For timing specification refer to chapter 22.5.2.2.

Multiple Protocol Contactless Reader IC

CL RC632

4.3.3 COMMON READ/WRITE STROBE AND HAND-SHAKE MECHANISM: EPP



For timing specification refer to chapter 22.5.2.3.

Remarks for EPP:

Although in the standard for the EPP no chip select signal is defined, the N_CS of the CL RC632 allows inhibiting the nDStrb signal. If not used, it shall be connected to DVSS.

After each Power-On or Hard Reset the nWait signal (delivered at pin A0) is high impedance. nWait will be defined at the first negative edge applied to nAStrb after the Reset Phase.

The CL RC632 does not support Read Address Cycle.

Multiple Protocol Contactless Reader IC

CL RC632

4.4 SPI compatible interface

Additionally the serial peripheral interface (SPI) will be supported. The CL RC632 acts as a slave during the SPI communication. The SPI clock SCK has to be generated by the master. Data communication from the master to the slave uses the line MOSI. Line MISO is used to send data back from the CL RC632 to the master.

CL RC632	SPI Interface
ALE	NSS
A2	SCK
A1	LOW
A0	MOSI
NRD	HIGH
NWR	HIGH
NCS	LOW
D7 ... D1	do not connect
D0	MISO

Table 4-3: SPI compatible interface

The following table shows the μ -Processor connection to the CL RC632 using the SPI interface.

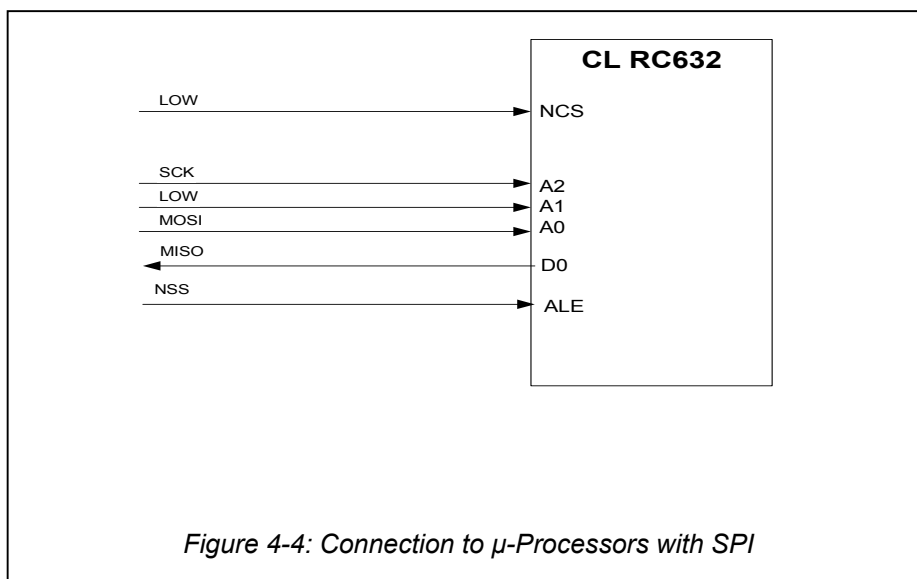


Figure 4-4: Connection to μ -Processors with SPI

Multiple Protocol Contactless Reader IC

CL RC632

Remarks for SPI:

The implemented SPI interface is according to a standard SPI interface.
 The CL RC632 can only be addressed as a slave.

Read data:

To read out data using the SPI interface the following structure has to be used. It is possible to read out up to n-data bytes.
 The first sent byte defines both, the mode itself and the address.

	byte 0	byte 1	byte 2	byte n	byte n+1
MOSI	adr 0	adr 1	adr. 2	adr n	00
MISO	XX	data 0	data 1	data n-1	data n

The address byte has to fulfil the following format. The MSB bit of the first byte sets the used mode. To read data from the CL RC632 the MSB bit is set to 1. The bits 6-1 define the address and the last bit should be set to 0.
 According to scheme above, the last sent byte has been set to 0.

Address (MOSI)	bit 7, MSB	bit 6 - bit 1	bit 0
byte 0	1	address	RFU (0)
byte 1 to byte n	RFU (0)	address	RFU (0)
byte n+1	0	0	0

Write data:

To write data to the CL RC632 using the SPI interface the following structure has to be used. It is possible to write out up to n-data bytes.
 The first send byte defines both, the mode itself and the address.

	byte 0	byte 1	byte 2	byte n	byte n+1
MOSI	adr	data 0	data 1	data n-1	data n
MISO	XX	XX	XX	XX	XX

The address byte has to fulfil the following format. The MSB bit of the first byte sets the used mode. To write data to the CL RC632 the MSB bit is set to 0. The bits 6-1 define the address and the last bit should be set to 0.

Multiple Protocol Contactless Reader IC

CL RC632

The SPI write mode writes all data to the same address as defined in byte 0. This allows an effective data writing to the CL RC632's FIFO buffer.

Address line (MOSI)	MSB	bit 6 - bit 1	bit 0
byte 0	0	address	RFU (0)
byte 1 to byte n+1	data		

Note:

The data bus pins D7...D1 have to be disconnected.

For timing specification refer to chapter 22.5.2.4

Multiple Protocol Contactless Reader IC

CL RC632

5 CL RC632 REGISTER SET

5.1 CL RC632 Registers Overview

Page	Address _{hex}	Register Name	Function
Page 0: Command and Status	0	Page	selects the register page
	1	Command	starts (and stops) the command execution
	2	FIFOData	in- and output of 64 byte FIFO buffer
	3	PrimaryStatus	status flags of the receiver and transmitter and of the FIFO buffer
	4	FIFOLength	number of bytes buffered in the FIFO
	5	SecondaryStatus	diverse status flags
	6	InterruptEn	control bits to enable and disable passing of interrupt requests
	7	InterruptRq	interrupt request flags
Page 1: Control and Status	8	Page	selects the register page
	9	Control	diverse control flags e.g.: timer, power saving
	A	ErrorFlag	error flags showing the error status of the last command executed
	B	CollPos	bit position of the first bit collision detected on the RF-interface
	C	TimerValue	actual value of the timer
	D	CRCResultLSB	LSB of the CRC-Coprocessor register
	E	CRCResultMSB	MSB of the CRC-Coprocessor register
	F	BitFraming	adjustments for bit oriented frames
Page 2: Transmitter and Coder Control	10	Page	selects the register page
	11	TxControl	controls the logical behaviour of the antenna driver pins TX1 and TX2
	12	CWConductance	selects the conductance of the antenna driver pins TX1 and TX2
	13	ModConductance	Defines the driver output conductance
	14	CoderControl	sets the clock rate and the coding mode
	15	ModWidth	selects the width of the modulation pulse
	16	ModWidthSOF	selects the width of the modulation pulse for SOF (1•CODE Fast-Mode)
	17	TypeBFraming	Defines the framing for ISO14443-B communication
Page 3: Receiver and Decoder Control	18	Page	selects the register page
	19	RxControl1	controls receiver behaviour
	1A	DecoderControl	controls decoder behaviour
	1B	BitPhase	selects the bit-phase between transmitter and receiver clock
	1C	RxThreshold	selects thresholds for the bit decoder
	1D	BPSKDemControl	Control BPSK receiver behaviour
	1E	RxControl2	controls decoder behaviour and defines the input source for the receiver
	1F	ClockQControl	controls clock generation for the 90° phase shifted Q-channel clock

CL RC632 Register Set (continued)

Multiple Protocol Contactless Reader IC

CL RC632

Page	Address _{hex}	Register Name	Function
Page 4: RF-Timing and Channel Redundancy	20	Page	selects the register page
	21	RxWait	selects the time interval after transmission, before receiver starts
	22	ChannelRedundancy	selects the kind and mode of checking the data integrity on the RF-channel
	23	CRCPresetLSB	LSB of the pre-set value for the CRC register
	24	CRCPresetMSB	MSB of the pre-set value for the CRC register
	25	TimeSlotPeriod	selects the time between automatically mitted Frames
	26	MFOUTSelect	selects internal signal applied to pin MFOUT, includes the MSB of value TimeSlotPeriod see register 0x25
	27	PreSet27	these values shall not be changed
Page 5: FIFO, Timer and IRQ-Pin Configuration	28	Page	selects the register page
	29	FIFOLevel	defines level for FIFO over- and underflow warning
	2A	TimerClock	selects the divider for the timer clock
	2B	TimerControl	selects start and stop conditions for the timer
	2C	TimerReload	defines the pre-set value for the timer
	2D	IRQPinConfig	configures the output stage of pin IRQ
	2E	PreSet2E	these values shall not be changed
	2F	PreSet2F	these values shall not be changed
Page 6: RFU	30	Page	selects the register page
	31	RFU	reserved for future use
	32	RFU	reserved for future use
	33	RFU	reserved for future use
	34	RFU	reserved for future use
	35	RFU	reserved for future use
	36	RFU	reserved for future use
	37	RFU	reserved for future use
Page 7: Test Control	38	Page	selects the register page
	39	RFU	reserved for future use
	3A	TestAnaSelect	selects analog test mode
	3B	RFU	reserved for future use
	3C	RFU	reserved for future use
	3D	TestDigiSelect	selects digital test mode
	3E	RFU	reserved for future use
	3F	RFU	reserved for future use

Table 5-1: CL RC632 Register Overview

Multiple Protocol Contactless Reader IC

CL RC632

5.1.1 REGISTER BIT BEHAVIOUR

Bits and flags for different registers behave differently, depending on their functions. In principle bits with same behaviour are grouped in common registers.

Abbreviation	Behaviour	Description
r/w	read and write	These bits can be written and read by the μ -Processor. Since they are used only for control means, their content is not influenced by internal state machines, e.g. the <i>TimerReload-Register</i> may be written and read by the μ -Processor. It will also be read by internal state machines, but never changed by them.
dy	dynamic	These bits can be written and read by the μ -Processor. Nevertheless, they may also be written automatically by internal state machines, e.g. the <i>Command-Register</i> changes its value automatically after the execution of the actual command.
r	read only	These registers hold flags, whose value is determined by internal states only, e.g. the <i>ErrorFlag-Register</i> can not be written from external but shows internal states.
w	write only	These registers are used for control means only. They may be written by the μ -Processor but can not be read. Reading these registers returns an undefined value, e.g. the <i>TestAnaSelect-Register</i> is used to determine the signal on pin AUX, but it is not possible to read its content.

Table 5-2: Behaviour of Register Bits and its Designation

Multiple Protocol Contactless Reader IC

CL RC632

5.2 Register Description

5.2.1 PAGE 0: COMMAND AND STATUS

5.2.1.1 Page Register

Selects the register page.

Name: Page Address: 0x00, 0x08, 0x10, 0x18, 0x20, 0x28, 0x30, 0x38 Reset value: 10000000, 0x80

	7	6	5	4	3	2	1	0
	UsePage Select	0	0	0	0	PageSelect		

Access Rights r/w r/w r/w r/w r/w r/w r/w r/w

Description of the bits

Bit	Symbol	Function
7	UsePageSelect	If set to 1, the value of <i>PageSelect</i> is used as register address A5, A4, and A3. The LSBbits of the register address are defined by the address pins or the internal address latch, respectively. If set to 0, the whole content of the internal address latch defines the register address. The address pins are used as described in Table 4-2.
6-3	0000	Reserved for future use.
2-0	PageSelect	The value of <i>PageSelect</i> is used only if <i>UsePageSelect</i> is set to 1. In this case, it specifies the register page (which is A5, A4, and A3 of the register address).

Multiple Protocol Contactless Reader IC

CL RC632

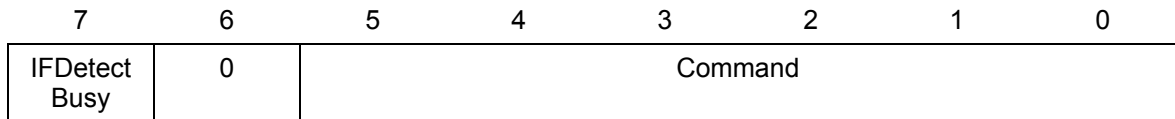
5.2.1.2 Command Register

Starts and stops the command execution.

Name: Command

Address: 0x01

Reset value: X0000000, 0xX0



Access
Rights

r r dy dy dy dy dy dy

Description of the bits

Bit	Symbol	Function
7	IFDetectBusy	Shows the status of Interface Detection Logic: Set to 0 means 'Interface Detection finished successfully', Set to 1 signs 'Interface Detection Ongoing'.
6	0	Reserved for future use.
5-0	Command	Activates a command according the Command Code. Reading this register shows, which command is actually executed.

Multiple Protocol Contactless Reader IC

CL RC632

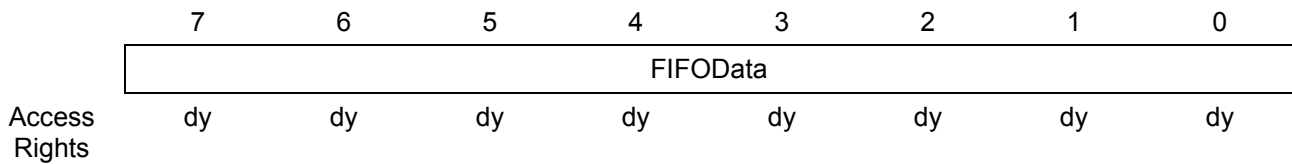
5.2.1.3 *FIFOData Register*

In- and output of the 64 byte FIFO buffer.

Name: FIFOData

Address: 0x02

Reset value: XXXXXXXX, 0xXX



Description of the bits

Bit	Symbol	Function
7-0	FIFOData	Data input and output port for the internal 64 byte FIFO buffer. The FIFO buffer acts as parallel in/parallel out converter for all data stream in- and outputs.

Multiple Protocol Contactless Reader IC

CL RC632

5.2.1.4 PrimaryStatus Register

Status flags of the receiver, transmitter and the FIFO buffer.

Name: PrimaryStatus

Address: 0x03

Reset value: 00000101, 0x05

	7	6	5	4	3	2	1	0
	0	ModemState			IRq	Err	HiAlert	LoAlert
Access Rights	r	r	r	r	r	r	r	r

Description of the bits

Bit	Symbol	Function																														
7	0	Reserved for future use.																														
6-4	ModemState	<p>ModemState shows the state of the transmitter and receiver state machines.</p> <table border="1"> <thead> <tr> <th>State</th> <th>Name of State</th> <th>Description</th> </tr> </thead> <tbody> <tr> <td>000</td> <td>Idle</td> <td>Neither the transmitter nor the receiver is in operation, since none of them is started or since none of them has input data.</td> </tr> <tr> <td>001</td> <td>TxSOF</td> <td>Transmitting the 'Start Of Frame' Pattern.</td> </tr> <tr> <td>010</td> <td>TxData</td> <td>Transmitting data from the FIFO buffer (or redundancy check bits).</td> </tr> <tr> <td>011</td> <td>TxEof</td> <td>Transmitting the 'End Of Frame' Pattern.</td> </tr> <tr> <td>100</td> <td>GoToRx1</td> <td>Intermediate state, when receiver starts.</td> </tr> <tr> <td></td> <td>GoToRx2</td> <td>Intermediate state, when receiver finishes.</td> </tr> <tr> <td>101</td> <td>PrepareRx</td> <td>Waiting until the time period selected in the <i>RxWait Register</i> is expired.</td> </tr> <tr> <td>110</td> <td>AwaitingRx</td> <td>Receiver activated; Awaiting an input signal at pin Rx.</td> </tr> <tr> <td>111</td> <td>Receiving</td> <td>Receiving data.</td> </tr> </tbody> </table>	State	Name of State	Description	000	Idle	Neither the transmitter nor the receiver is in operation, since none of them is started or since none of them has input data.	001	TxSOF	Transmitting the 'Start Of Frame' Pattern.	010	TxData	Transmitting data from the FIFO buffer (or redundancy check bits).	011	TxEof	Transmitting the 'End Of Frame' Pattern.	100	GoToRx1	Intermediate state, when receiver starts.		GoToRx2	Intermediate state, when receiver finishes.	101	PrepareRx	Waiting until the time period selected in the <i>RxWait Register</i> is expired.	110	AwaitingRx	Receiver activated; Awaiting an input signal at pin Rx.	111	Receiving	Receiving data.
State	Name of State	Description																														
000	Idle	Neither the transmitter nor the receiver is in operation, since none of them is started or since none of them has input data.																														
001	TxSOF	Transmitting the 'Start Of Frame' Pattern.																														
010	TxData	Transmitting data from the FIFO buffer (or redundancy check bits).																														
011	TxEof	Transmitting the 'End Of Frame' Pattern.																														
100	GoToRx1	Intermediate state, when receiver starts.																														
	GoToRx2	Intermediate state, when receiver finishes.																														
101	PrepareRx	Waiting until the time period selected in the <i>RxWait Register</i> is expired.																														
110	AwaitingRx	Receiver activated; Awaiting an input signal at pin Rx.																														
111	Receiving	Receiving data.																														
3	IRQ	This bit shows, if any interrupt source requests attention (with respect to the setting of the interrupt enable flags in the <i>InterruptEn Register</i>).																														
2	Err	This bit is set to 1, if any error flag in the <i>ErrorFlag Register</i> is set.																														
1	HiAlert	<p>Is set to 1, when the number of bytes stored in the FIFO buffer fulfil the following equation: $HiAlert = (64 - FIFOLength) \leq WaterLevel$</p> <p>Example: FIFOLength=60, WaterLevel=4 \Rightarrow HiAlert =1 FIFOLength=59, WaterLevel=4 \Rightarrow HiAlert =0</p>																														
0	LoAlert	<p>Is set to 1, when the number of bytes stored in the FIFO buffer fulfil the following equation: $LoAlert = FIFOLength \leq WaterLevel$</p> <p>Example: FIFOLength=4, WaterLevel=4 \Rightarrow LoAlert =1 FIFOLength=5, WaterLevel=4 \Rightarrow LoAlert =0</p>																														

Multiple Protocol Contactless Reader IC

CL RC632

5.2.1.5 *FIFOLength Register*

Number of bytes buffered in the FIFO.

Name: FIFOLength

Address: 0x04

Reset value: 00000000, 0x00

	7	6	5	4	3	2	1	0
	FIFOLength							
Access Rights	r	r	r	r	r	r	r	r

Description of the bits

Bit	Symbol	Function
7	0	Reserved for future use.
6-0	FIFOLength	Indicates the number of bytes stored in the FIFO buffer. Writing to the <i>FIFOData</i> Register increments, reading decrements <i>FIFOLength</i> .

Multiple Protocol Contactless Reader IC

CL RC632

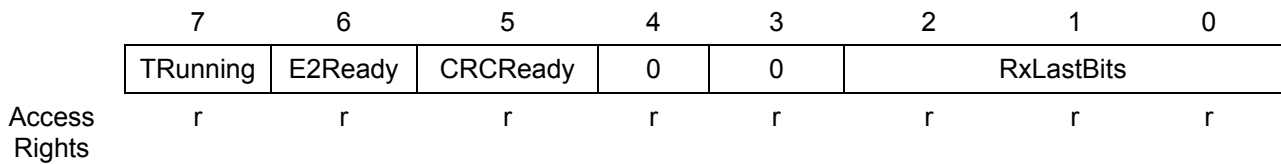
5.2.1.6 SecondaryStatus Register

Diverse Status flags.

Name: SecondaryStatus

Address: 0x05

Reset value: 01100000, 0x60



Description of the bits

Bit	Symbol	Function
7	TRunning	If set to 1, the CL RC632's timer unit is running, e.g. the counter will decrement the <i>Timer Value Register</i> with the next timer clock.
6	E2Ready	If set to 1, the CL RC632 has finished programming the E2PROM.
5	CRCReady	If set to 1, the CL RC632 has finished calculating the CRC.
4-3	00	Reserved for future use.
2-0	RxLastBits	Show the number of valid bits in the last received byte. If zero, the whole byte is valid.

Multiple Protocol Contactless Reader IC

CL RC632

5.2.1.7 InterruptEn Register

Control bits to enable and disable passing of interrupt requests.

Name: InterruptEn

Address: 0x06

Reset value: 00000000, 0x00

	7	6	5	4	3	2	1	0
	SetIEn	0	TimerIEn	TxIEn	RxIEn	IdleIEn	HiAlertIEn	LoAlertIEn
Access Rights	w	r/w	r/w	r/w	r/w	r/w	r/w	r/w

Description of the bits

Bit	Symbol	Function
7	SetIEn	Set to 1 <i>SetIEn</i> defines that the marked bits in the <i>InterruptEn Register</i> are set, Set to 0 clears the marked bits.
6	0	Reserved for future use.
5	TimerIEn	Allows the timer interrupt request (indicated by bit <i>TimerIRq</i>) to be propagated to pin IRQ. This bit can not be set or cleared directly but only by means of bit <i>SetIEn</i> .
4	TxIEn	Allows the transmitter interrupt request (indicated by bit <i>TxIRq</i>) to be propagated to pin IRQ. This bit can not be set or cleared directly but only by means of bit <i>SetIEn</i> .
3	RxIEn	Allows the receiver interrupt request (indicated by bit <i>RxIRq</i>) to be propagated to pin IRQ. This bit can not be set or cleared directly but only by means of bit <i>SetIEn</i> .
2	IdleIEn	Allows the idle interrupt request (indicated by bit <i>IdleIRq</i>) to be propagated to pin IRQ. This bit can not be set or cleared directly but only by means of bit <i>SetIEn</i> .
1	HiAlertIEn	Allows the high alert interrupt request (indicated by bit <i>HiAlertIRq</i>) to be propagated to pin IRQ. This bit can not be set or cleared directly but only by means of bit <i>SetIEn</i> .
0	LoAlertIEn	Allows the low alert interrupt request (indicated by bit <i>LoAlertIRq</i>) to be propagated to pin IRQ. This bit can not be set or cleared directly but only by means of bit <i>SetIEn</i> .

Multiple Protocol Contactless Reader IC

CL RC632

5.2.1.8 InterruptRq Register

Interrupt request flags.

Name: InterruptRq

Address: 0x07

Reset value: 00000000, 0x00

	7	6	5	4	3	2	1	0
	SetIRq	0	TimerIRq	TxIRq	RxIRq	IdleIRq	HiAlertIRq	LoAlertIRq
Access Rights	w	r/w	dy	dy	dy	dy	dy	dy

Description of the bits

Bit	Symbol	Function
7	SetIRq	Set to 1, <i>SetIRq</i> defines that the marked bits in the <i>InterruptRq Register</i> are set. Set to 0 <i>SetIRq</i> defines, that the marked bits in the <i>InterruptRq Register</i> are cleared.
6	0	Reserved for future use.
5	TimerIRq	Set to 1, when the timer decrements the <i>TimerValue Register</i> to zero.
4	TxIRq	Set to 1, when one of the following events occurs: <i>Transceive Command</i> : All data transmitted. <i>Auth1 and Auth2 Command</i> : All data transmitted. <i>WriteE2 Command</i> : All data is programmed. <i>CalcCRC Command</i> : All data is processed.
3	RxIRq	This bit is set to 1, when the receiver terminates.
2	IdleIRq	This bit is set to 1, when a command terminates by itself e.g. when the <i>Command Register</i> changes its value from any command to the <i>Idle Command</i> . If an unknown command is started bit <i>IdleIRq</i> is set. Starting the <i>Idle Command</i> by the μ -Processor does not set bit <i>IdleIRq</i> .
1	HiAlertIRq	This bit is set to 1, when bit <i>HiAlert</i> is set. In opposite to <i>HiAlert</i> , <i>HiAlertIRq</i> stores this event and can only be reset by means of bit <i>SetIRq</i> .
0	LoAlertIRq	This bit is set to 1, when bit <i>LoAlert</i> is set. In opposite to <i>LoAlert</i> , <i>LoAlertIRq</i> stores this event and can only be reset by means of bit <i>SetIRq</i> .

Multiple Protocol Contactless Reader IC

CL RC632

5.2.2 PAGE 1: CONTROL AND STATUS

5.2.2.1 Page Register

Selects the register page. See 5.2.1.1 *Page Register*.

5.2.2.2 Control Register

Diverse control flags, e.g.: timer, power saving.

Name: Control

Address: 0x09

Reset value: 00000000, 0x00

	7	6	5	4	3	2	1	0
	0	0	StandBy	PowerDown	Crypto1On	TStopNow	TStartNow	FlushFIFO
Access Rights	r/w	r/w	dy	dy	dy	w	w	w

Description of the bits

Bit	Symbol	Function
7-6	00	Reserved for future use
5	StandBy	Setting this bit to 1 enters the Soft PowerDown Mode. This means, internal current consuming blocks are switched off, the oscillator keeps running.
4	PowerDown	Setting this bit to 1 enters the Soft PowerDown Mode. This means, internal current consuming blocks are switched off including the oscillator.
3	Crypto1On	This bit indicates that the Crypto1 unit is switched on and therefore all data communication with the card is encrypted. This bit can only be set to 1 by a successful execution of the <i>Authent2 Command</i> .
2	TStopNow	Setting this bit to 1 stops the timer immediately. Reading this bit will always return 0.
1	TStartNow	Setting this bit to 1 starts the timer immediately. Reading this bit will always return 0.
0	FlushFIFO	Setting this bit to 1 clears the internal FIFO-buffer's read- and write-pointer (<i>FIFOLength</i> becomes 0) and the flag <i>FIFOvfl</i> immediately. Reading this bit will always return 0.

Multiple Protocol Contactless Reader IC

CL RC632

5.2.2.3 ErrorFlag Register

Error flags showing the error status of the last executed command.

Name: ErrorFlag

Address: 0x0A

Reset value: 01000000, 0x40

	7	6	5	4	3	2	1	0
	0	KeyErr	AccessErr	FIFOovfl	CRCErr	FramingErr	ParityErr	CollErr
Access Rights	r	r	r	r	r	r	r	r

Description of the bits

Bit	Symbol	Function
7	0	Reserved for future use.
6	KeyErr	This bit is set to 1, if the LoadKeyE2 or the LoadKey Command recognises, that the input data is not coded according to the Key format definition. This bit is set to 0 starting the LoadkeyE2 or the LoadKey command.
5	AccessErr	This bit is set to 1, if the access rights to the E ² PROM are violated. This bit is set to 0 starting an E ² PROM related command.
4	FIFOovfl	This bit is set to 1, if the μ -Processor or a CL RC632's internal state machine (e.g. receiver) tries to write data into the FIFO buffer although the FIFO buffer is already full.
3	CRCErr	This bit is set to 1, if <i>RxCRCEn</i> is set and the CRC fails. It is cleared to 0 automatically at receiver start phase during the state PrepareRx.
2	FramingErr	This bit is set to 1, if the SOF is incorrect. It is cleared automatically at receiver start (that is during the state PrepareRx).
1	ParityErr	This bit is set to 1, if the parity check has failed. It is cleared automatically at receiver start (that is during the state PrepareRx).
0	CollErr	This bit is set to 1, if a bit-collision is detected. It is cleared automatically at receiver start (that is during the state PrepareRx). Note: only valid for communication according to ISO14443 A.

Multiple Protocol Contactless Reader IC

CL RC632

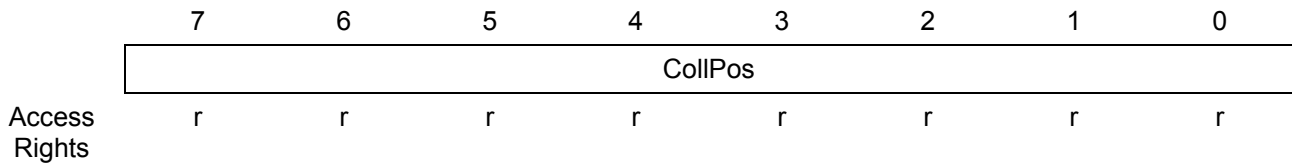
5.2.2.4 CollPos Register

Bit position of the first bit collision detected on the RF- interface.

Name: CollPos

Address: 0x0B

Reset value: 00000000, 0x00



Description of the bits

Bit	Symbol	Function
7-0	CollPos	This register shows the bit position of the first detected collision in a received frame. Example: 0x00 indicates a bit collision in the start bit 0x01 indicates a bit collision in the 1 st bit 0x08 indicates a bit collision in the 8 th bit

Note: For ISO14443B a bit collision is not indicated in the CollPos register.

Multiple Protocol Contactless Reader IC

CL RC632

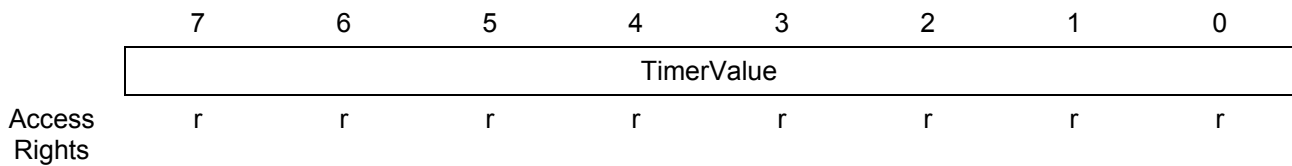
5.2.2.5 *TimerValue Register*

actual value of the timer.

Name: TimerValue

Address:0x0C

Reset value: XXXXXXXX, 0xXX



Description of the bits

Bit	Symbol	Function
7-0	TimerValue	This register shows the actual value of the timer counter.

Multiple Protocol Contactless Reader IC

CL RC632

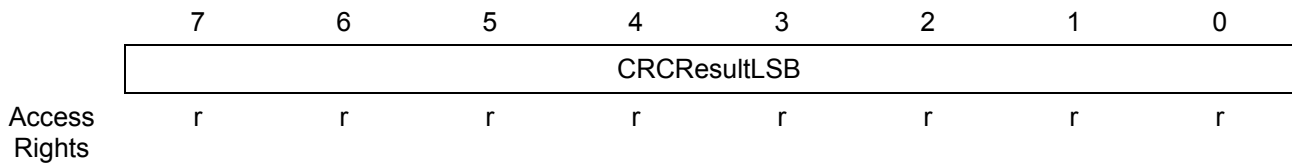
5.2.2.6 *CRCResultLSB Register*

LSB of the CRC-Coprocessor register.

Name: CRCResultLSB

Address: 0x0D

Reset value: XXXXXXXX, 0xXX



Description of the bits

Bit	Symbol	Function
7-0	CRCResultLSB	This register shows the actual value of the least significant byte of the CRC register. It is valid only if bit <i>CRCReady</i> is set to 1.

Multiple Protocol Contactless Reader IC

CL RC632

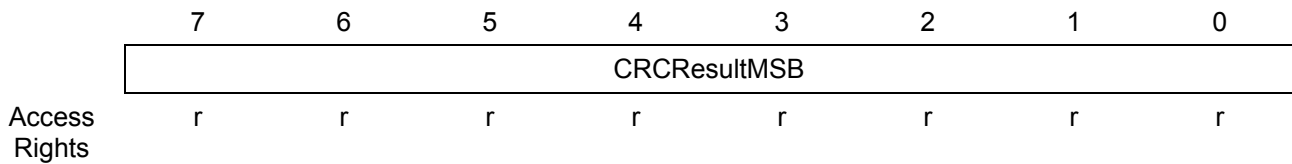
5.2.2.7 *CRCResultMSB Register*

MSB of the CRC-Coprocessor register.

Name: CRCResultMSB

Address: 0x0E

Reset value: XXXXXXXX, 0xXX



Description of the bits

Bit	Symbol	Function
7-0	CRCResultMSB	This register shows the actual value of the most significant byte of the CRC register. It is valid only if bit <i>CRCReady</i> is set to 1. For 8-bit CRC calculation the registers value is undefined.

Multiple Protocol Contactless Reader IC

CL RC632

5.2.3 PAGE 2: TRANSMITTER AND CONTROL

5.2.3.1 Page Register

Selects the register page. See 5.2.1.1 *Page Register*.

5.2.3.2 TxControl Register

Controls the logical behaviour of the antenna pin TX1 and TX2.

Name: TxControl

Address: 0x11

Reset value: 01011000, 0x58

	7	6	5	4	3	2	1	0
	0	ModulatorSource	Force 100ASK	TX2Inv	TX2Cw	TX2RFEn	TX1RFEn	
Access Rights	r/w	r/w	r/w	r/w	r/w	r/w	r/w	r/w

Description of the bits

Bit	Symbol	Function
7	0	This value shall not be changed
6-5	Modulator Source	Selects the source for the modulator input: 00: LOW 01: HIGH 10: Internal Coder 11: Pin MFIN
4	Force100ASK	Set to 1, <i>Force100ASK</i> forces a 100% ASK Modulation independent of the setting in the ModConductance Register.
3	TX2Inv	Set to 1, the output signal on pin TX2 will deliver an inverted 13.56 MHz energy carrier.
2	TX2Cw	Set to 1, the output signal on pin TX2 will deliver continuously the un-modulated 13.56 MHz energy carrier. Setting <i>TX2Cw</i> to 0 enables modulation of the 13.56 MHz energy carrier.
1	TX2RFEn	Set to 1, the output signal on pin TX2 will deliver the 13.56 MHz energy carrier modulated by the transmission data. If <i>TX2RFEn</i> is 0, TX2 drives a constant output level.
0	TX1RFEn	Set to 1, the output signal on pin TX1 will deliver the 13.56 MHz energy carrier modulated by the transmission data. If <i>TX1RFEn</i> is 0, TX1 drives a constant output level.

Multiple Protocol Contactless Reader IC

CL RC632

5.2.3.3 CwConductance Register

Selects the conductance of the antenna driver pins TX1 and TX2.

Name: CwConductance

Address: 0x12

Reset value: 00111111, 0x3F

	7	6	5	4	3	2	1	0
	0	0	GsCfgCW					
Access Rights	r/w	r/w	r/w	r/w	r/w	r/w	r/w	r/w

Description of the bits

Bit	Symbol	Function
7-6	00	These values shall not be changed
5-0	GsCfgCW	The value of this register defines the conductance of the output driver. This may be used to regulate the output power and subsequently current consumption and operating distance.

Note: For detailed information about GsCfgCW see 13.3

Multiple Protocol Contactless Reader IC

CL RC632

5.2.3.4 ModConductance Register

defines the driver output conductance.

Name: ModConductance

Address: 0x13

Reset value: 00111111, 0x03F



Description of the bits

Bit	Symbol	Function
7-6	00	These values shall not be changed
5-0	GsCfgMod	The value of this register defines the conductance of the output driver for the time of modulation. This may be used to regulate the modulation index.

Note: If Force100ASK is set to one, the value of GsCfgMod has no effect.

For detailed information about GsCfgMod see 13.3

Multiple Protocol Contactless Reader IC

CL RC632

5.2.3.5 CoderControl Register

sets the clock rate and the coding mode

Name: CoderControl

Address:0x14

Reset value: 00011001, 0x19

7	6	5	4	3	2	1	0
SendOnePulse	0	CoderRate			TxCoding		

Access Rights

r/w r/w r/w r/w r/w r/w r/w r/w

Description of the bits

Bit	Symbol	Function
7	SendOnePulse	Set to 1, forces to generate only one Mudulation (for ISO 15693 only). This is used to switch to the next TimeSlot if the Inventory command is used. This bit is not cleared automatically, it has to be re-set to 0 by the user.
6	0	These values shall not be changed
5-3	CoderRate	This register defines the clock rate for Coder Circuit 000: MIFARE® 848 kBaud 001: MIFARE® 424 kBaud 010: MIFARE® 212 kBaud 011: MIFARE® 106 kBaud; ISO14443 A 100: ISO 14443-B 101: For I●CODE1 standard mode and ISO 15693 (~52.97kHz) 110: For I●CODE1 fast mode (~26.48kHz) 111: RFU
2-0	TxCoding	This register defines the bit coding Mode and Framing during Transmission 000: NRZ according ISO14443-B 001: MIFARE®, ISO14443-A, (Miller coded) 010: RFU 011: RFU 100: For I●CODE1 standard mode (1 out of 256 coding) 101: For I●CODE1 fast mode (RZ coding) 110: For ISO 15693 standard mode (1 out of 256 coding) 111: For ISO 15693 fast mode (1 out of 4 coding)

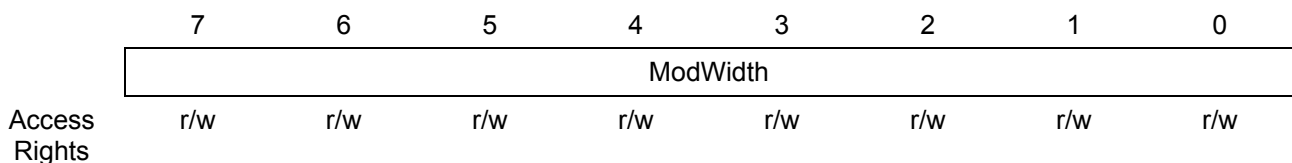
Multiple Protocol Contactless Reader IC

CL RC632

5.2.3.6 ModWidth Register

selects the width of the modulation pulse.

Name: ModWidth Address: 0x15 Reset value: 00010011, 0x13

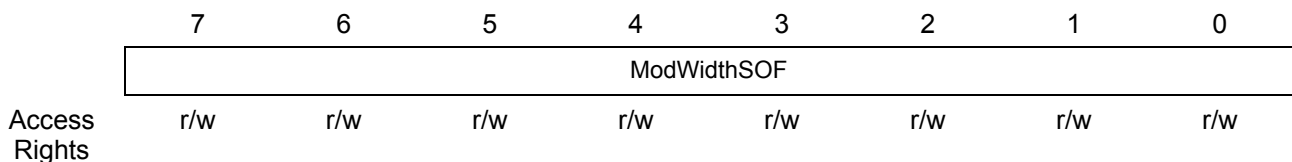


Description of the bits

Bit	Symbol	Function
7-0	ModWidth	This register defines the width of the modulation pulse according to $T_{mod} = 2 \cdot (\text{ModWidth} + 1) / f_c$.

5.2.3.7 ModWidthSOF Register

Name: ModWidthSOF Address: 0x16 Reset value: 00111111, 0x3F



Description of the bits

Bit	Symbol	Function
7-0	ModWidthSOF	This register defines the width of the modulation pulse for SOF $T_{mod} = 2 \cdot (\text{ModWidth} + 1) / f_c$. Register setting: MIFARE® & ISO14443: 0x3F (Modulation width SOF: 9.44µs). I•CODE1 Standard Mode: 0x3F (Modulation width SOF: 9.44µs). I•CODE1 Fast Mode: 0x73 (Modulation width SOF: 18.88µs). ISO 15693: 0x3F (Modulation width SOF: 9.44µs).

Multiple Protocol Contactless Reader IC

CL RC632

5.2.3.8 TypeBFraming

defines the framing for ISO 14443 B communication

Name: TypeBFraming

Address: 0x17

Reset value: 00111011, 0x3B

	7	6	5	4	3	2	1	0
	NoTx SOF	NoTx EOF	EOF Width	CharSpacing		SOFWidth		
Access Rights	r/w	r/w	r/w	r/w	r/w	r/w	r/w	r/w

Description of the bits

Bit	Symbol	Function
7	NoTxSOF	Set to 1 TxCoder suppresses the SOF
6	NoTXEOF	Set to 1 TxCoder suppresses the EOF
5	EOFWidth	0: Set the EOF to a length of 10 ETU 1: Set the EOF to a length of 11 ETU
4-2	CharSpacing	Set the length of the EGT length between 0 and 7 ETU.
1-0	SOFWidth	00: Set the SOF to a length of 10 ETU LOW and 2 ETU HIGH 01: Set the SOF to a length of 10 ETU LOW and 3 ETU HIGH 10: Set the SOF to a length of 11 ETU LOW and 2 ETU HIGH 11: Set the SOF to a length of 11 ETU LOW and 3 ETU HIGH

Multiple Protocol Contactless Reader IC

CL RC632

5.2.4 PAGE 3: RECEIVER AND DECODER CONTROL

5.2.4.1 Page Register

Selects the register page. See 5.2.1.1 Page Register.

5.2.4.2 RxControl1 Register

controls receiver behaviour.

Name: RxControl1

Address: 0x19

Reset value: 01110011, 0x73



Description of the bits

Bit	Symbol	Function
7-5	SubCPulses	Defines the number of subcarrier pulses per Bit 000: 1 Pulse 001: 2 Pulses 010: 4 Pulses 011: 8 Pulses ISO14443A&B 100: 16 Pulses ISO15693 101: RFU 110: RFU 111: RFU
4-3	ISO Selection	00: RFU 10: ISO 14443 A&B 01: ISO15693 11: RFU
2	LPOff	Switches off a LowPassFilter at the internal amplifier.
1-0	Gain	This register defines the receivers signal voltage gain factor: 00: 20 dB 01: 24 dB 10: 31 dB 11: 35 dB

Multiple Protocol Contactless Reader IC

CL RC632

5.2.4.3 DecoderControl Register

Controls decoder behaviour.

Name: DecoderControl

Address: 0x1A

Reset value: 00001000, 0x08

	7	6	5	4	3	2	1	0
	0	RxMultiple	ZeroAfter Coll	RxFraming	RxInvert	0	RxCoding	
Access Rights	r/w	r/w	r/w	r/w	r/w	r/w	r/w	r/w

Description of the bits

Bit	Symbol	Function
7	0	These values shall not be changed
6	RxMultiple	If set to 0, after receiving of the Frame the receiver is deactivated If set to 1, it is possible to receive more than one Frame
5	ZeroAfter Coll	If set to 1, any bits received after a bit-collision are masked to zero. This eases resolving the anti-collision procedure defined in ISO14443-A.
4-3	RxFraming	00: for I•CODE1 01: MIFARE®, ISO14443A 10: ISO 15693 11: ISO14443B
2	RxInvert	If set to 0, a modulation at the first half bit results a logic 1 (according I•CODE1) If set to 1, a modulation at the first half bit results a logic 0 (according ISO15693)
1	0	These values shall not be changed
0	RxCoding	0: Manchester Coding 1: BPSK Coding

Multiple Protocol Contactless Reader IC

CL RC632

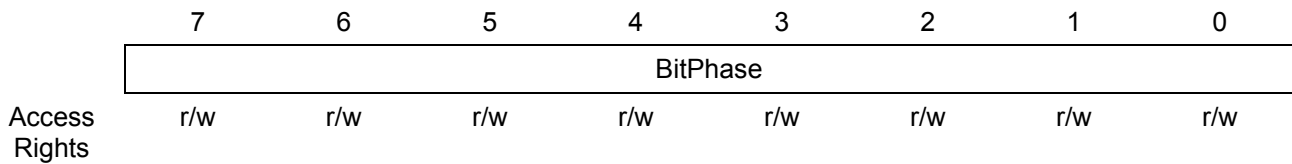
5.2.4.4 BitPhase Register

selects the bit-phase between transmitter and receiver clock.

Name: BitPhase

Address: 0x1B

Reset value: 10101101, 0xAD



Description of the bits

Bit	Symbol	Function
7-0	BitPhase	Defines the phase relation between transmitter and receiver clock. <u>Note:</u> The correct value of this register is essential for proper operation.

Multiple Protocol Contactless Reader IC

CL RC632

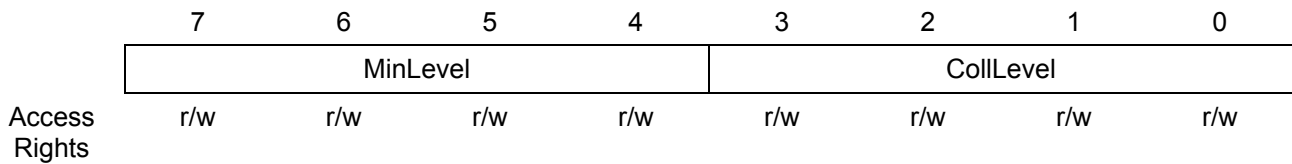
5.2.4.5 RxThreshold Register

selects thresholds for the bit decoder.

Name: RxThreshold

Address: 0x1C

Reset value: 11111111, 0xFF



Description of the bits

Bit	Symbol	Function
7-4	MinLevel	Defines the minimum signal strength at the decoder input that shall be accepted. If the signal strength is below this level, it is not evaluated.
3-0	CollLevel	Defines the minimum signal strength at the decoder input that has to be reached by the weaker half-bit of the Manchester-coded signal to generate a bit-collision relatively to the amplitude of the stronger half-bit.

Multiple Protocol Contactless Reader IC

CL RC632

5.2.4.6 BPSKDemControl

controls BPSK demodulation

Name: BPSKDemControl

Address: 0x1D

Reset value: 00011110, 0x1E

	7	6	5	4	3	2	1	0
	NoRx SOF	NoRx EGT	NoRx EOF	Filter AmpDet	TauD		TauB	
Access Rights	r/w	r/w	r/w	r/w	r/w	r/w	r/w	r/w

Description of the bits

Bit	Symbol	Function
7	NoRxSOF	If set to 1 a missing SOF in the receiving data stream will be ignored and no framing error indicated
6	NoRxEGT	If set to 1 a too short or too long EGT in the receiving data stream will be ignored and no framing error indicated
5	NoRxEOF	If set to 1 a missing EOF in the receiving data stream produces will be ignored and no framing error indicated
4	FilterAmpDet	Switches on a HighPassFilter for amplitude detection
3-2	TauD	Change time-constant of internal PLL during data receiving
1-0	TauB	Change time-constant of internal PLL during burst

Multiple Protocol Contactless Reader IC

CL RC632

5.2.4.7 RxControl2 Register

controls decoder behaviour and defines the input source for the receiver.

Name: RxControl2

Address: 0x1E

Reset value: 01000001, 0x41

	7	6	5	4	3	2	1	0
	RcvClkSell	RxAutoPD	0	0	0	0	DecoderSource	
Access Rights	r/w	r/w	r/w	r/w	r/w	r/w	r/w	r/w

Description of the bits

Bit	Symbol	Function
7	RcvClkSell	If set to 1, the I-clock is used for the receiver clock. Set to 0 indicates, that the Q-clock is used. I-clock and Q-clock are 90° phase shifted to each other
6	RxAutoPD	If set to 1, the receiver circuit is automatically switched on before receiving and switched off afterwards. This may be used to reduce current consumption. If set to 0, the receiver is always activated.
5-2	0000	These values shall not be changed
1-0	DecoderSource	Selects the source for the decoder input: 00: Low 01: Internal Demodulator 10: A subcarrier modulated Manchester coded signal at Pin MFIN 11: A baseband Manchester coded signal at Pin MFIN

Multiple Protocol Contactless Reader IC

CL RC632

5.2.4.8 ClockQControl Register

controls clock generation for the 90° phase shifted Q-channel clock.

Name: ClockQControl

Address: 0x1F

Reset value: 000XXXXX, 0xxx

	7	6	5	4	3	2	1	0
	ClkQ180Deg	ClkQCalib	0	ClkQDelay				
Access Rights	r	r/w	r/w	dy	dy	dy	dy	dy

Description of the bits

Bit	Symbol	Function
7	ClkQ180Deg	If the Q-clock is phase shifted more than 180° compared to the I-clock, the bit <i>ClkQ180Deg</i> is set to 1, otherwise it is 0.
6	ClkQCalib	If this bit is 0, the Q-clock is calibrated automatically after the Reset Phase and after data reception from the card. If this bit is set to 1, no calibration is performed automatically.
5	0	This value shall not be changed
4-0	ClkQDelay	This register shows the number of delay elements actually used to generate a 90° phase shift of the I-clock to obtain the Q-clock. It can be written directly by the μ-Processor or by the automatic calibration cycle.

Multiple Protocol Contactless Reader IC

CL RC632

5.2.5 PAGE 4: RF-TIMING AND CHANNEL REDUNDANCY

5.2.5.1 Page Register

Selects the register page. See 5.2.1.1 Page Register.

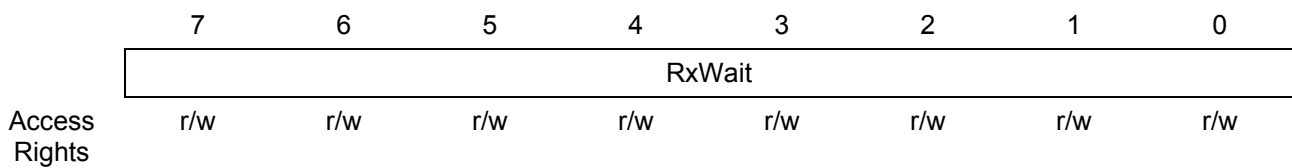
5.2.5.2 RxWait Register

Selects the time interval after transmission, before receiver starts.

Name: RxWait

Address: 0x21

Reset value: 00000101, 0x06



Description of the bits

Bit	Symbol	Function
7-0	RxWait	After data transmission, the activation of the receiver is delayed for <i>RxWait</i> bit-clocks. During this 'frame guard time' any signal at pin Rx is ignored.

Multiple Protocol Contactless Reader IC

CL RC632

5.2.5.3 ChannelRedundancy Register

Selects kind and mode of checking the data integrity on the RF-channel.

Name: ChannelRedundancy

Address: 0x22

Reset value: 00000011, 0x03

7	6	5	4	3	2	1	0
0	0	CRC 3309	CRC8	RxCRCEn	TxCRCEn	ParityOdd	ParityEn

Access
Rights

r/w r/w r/w r/w r/w r/w r/w r/w

Description of the bits

Bit	Symbol	Function
7-6	00	This value shall not be changed
5	CRC3309	If set to 1, CRC-calculation is done according ISO/IEC3309 (ISO14443B) and ISO 15693. <u>Note:</u> For usage according to ISO14443A this bit has to be 0. For usage according to I*CODE1 this bit has to be 0.
4	CRC8	If set to 1, an 8-bit CRC is calculated. If set to 0, a 16-bit CRC is calculated.
3	RxCRCEn	If set to 1, the last byte(s) of a received frame is/are interpreted as CRC byte/s. If the CRC itself is correct the CRC byte(s) is/are not passed to the FIFO. In case of an error, the <i>CRCErr</i> flag is set. If set to 0, no CRC is expected.
2	TxCRCEn	If set to 1, a CRC is calculated over the transmitted data and the CRC byte(s) are appended to the data stream. If set to 0, no CRC is transmitted.
1	ParityOdd	If set to 1, an odd parity is generated or expected, respectively. If set to 0 an even parity is generated or expected, respectively. <u>Note:</u> For usage according to ISO14443-A this bit has to be 1.
0	ParityEn	If set to 1, a parity bit is inserted in the transmitted data stream after each byte and expected in the received data stream after each byte (MIFARE®, ISO14443A) If set to 0, no parity bit is inserted or expected (ISO14443B)

Multiple Protocol Contactless Reader IC

CL RC632

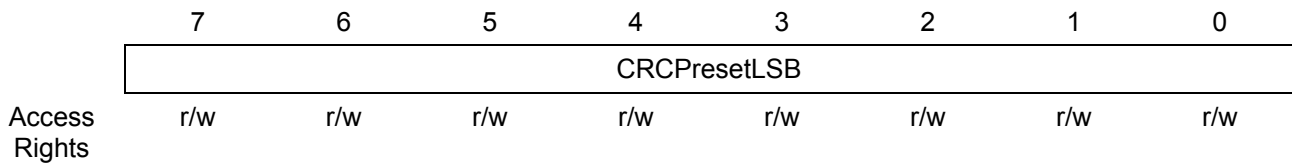
5.2.5.4 *CRCPresetLSB Register*

LSB of the preset value for the CRC register.

Name: CRCPresetLSB

Address: 0x23

Reset value: 01010011, 0x63



Description of the bits

Bit	Symbol	Function
7-0	CRCPresetLSB	<i>CRCPresetLSB</i> defines the starting value for CRC-calculation. This value is loaded into the CRC at the beginning of transmission, reception and the CalcCRC Command, if the CRC calculation is enabled. To use the ISO 15693 functionality the <i>CRCPresetLSB</i> Register has to be set to 0xFF.

Multiple Protocol Contactless Reader IC

CL RC632

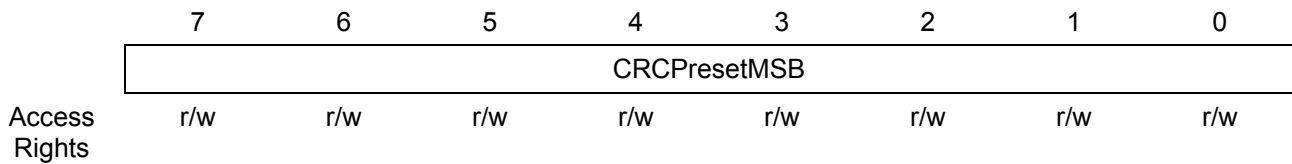
5.2.5.5 *CRCPresetMSB Register*

MSB of the preset value for the CRC register.

Name: CRCPresetMSB

Address: 0x24

Reset value: 01010011, 0x63



Description of the bits

Bit	Symbol	Function
7-0	CRCPresetMSB	<p><i>CRCPresetMSB</i> defines the starting value for CRC-calculation. This value is loaded into the CRC at the beginning of transmission, reception and the CalcCRC Command, if the CRC calculation is enabled.</p> <p><u>Note:</u> This register is not relevant, if CRC8 is 1.</p>

Multiple Protocol Contactless Reader IC

CL RC632

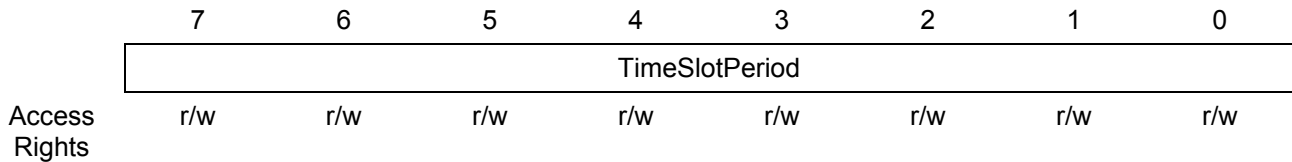
5.2.5.6 *TimeSlotPeriod Register*

defines the time slot period for I•CODE1 protocol.

Name: TimeSlotPeriod

Address: 0x25

Reset value: 00000000, 0x00



Description of the bits

Bit	Symbol	Function
7-0	TimeSlotPeriod	<i>TimeSlotPeriod</i> defines the time between automatically transmitted Frames. To send a Quit-Frame according to the I•CODE1 protocol, it is necessary to have a relation to the beginning of the Command-Frame. The TimeSlotPeriod will start at the End of the Command transmission. For detailed information see also chapter 9.2.5

Multiple Protocol Contactless Reader IC

CL RC632

5.2.5.7 MFOUTSelect Register

Selects internal signal applied to pin MFOUT.

Name: MFOUTSelect

Address: 0x26

Reset value:00000000, 0x00

7	6	5	4	3	2	1	0
0	0	0	TimeSlot Period MSB	0	MFOUTSelect		

Access Rights	r/w	r/w	r/w	r/w	r/w	r/w	r/w	r/w
------------------	-----	-----	-----	-----	-----	-----	-----	-----

Description of the bits

Bit	Symbol	Function																				
7-5	00000	These values shall not be changed																				
4	TimeSlotPeriod MSB	MSB of value TimeSlotPeriod see register 0x25																				
3	0	These values shall not be changed																				
2-0	MFOUTSelect	<p><i>MFOUTSelect</i> defines which signal is routed to pin MFOUT.</p> <table border="0"> <tr> <td style="padding-right: 20px;">000</td> <td>Constant Low</td> </tr> <tr> <td>001</td> <td>Constant High</td> </tr> <tr> <td>010</td> <td>Modulation Signal (envelope) from internal coder, Miller coded</td> </tr> <tr> <td>011</td> <td>Serial data stream, not Miller coded</td> </tr> <tr> <td>100</td> <td>Output signal of the energy carrier demodulator (card modulation signal)</td> </tr> <tr> <td></td> <td>Note: only valid MIFARE[®] and ISO14443 A at a baudrate of 106 kbaud.</td> </tr> <tr> <td>101</td> <td>Output signal of the subcarrier demodulator (Manchester coded card signal)</td> </tr> <tr> <td></td> <td>Note: only valid MIFARE[®] and ISO14443 A at a baudrate of 106 kbaud.</td> </tr> <tr> <td>110</td> <td>RFU</td> </tr> <tr> <td>111</td> <td>RFU</td> </tr> </table>	000	Constant Low	001	Constant High	010	Modulation Signal (envelope) from internal coder, Miller coded	011	Serial data stream, not Miller coded	100	Output signal of the energy carrier demodulator (card modulation signal)		Note: only valid MIFARE [®] and ISO14443 A at a baudrate of 106 kbaud.	101	Output signal of the subcarrier demodulator (Manchester coded card signal)		Note: only valid MIFARE [®] and ISO14443 A at a baudrate of 106 kbaud.	110	RFU	111	RFU
000	Constant Low																					
001	Constant High																					
010	Modulation Signal (envelope) from internal coder, Miller coded																					
011	Serial data stream, not Miller coded																					
100	Output signal of the energy carrier demodulator (card modulation signal)																					
	Note: only valid MIFARE [®] and ISO14443 A at a baudrate of 106 kbaud.																					
101	Output signal of the subcarrier demodulator (Manchester coded card signal)																					
	Note: only valid MIFARE [®] and ISO14443 A at a baudrate of 106 kbaud.																					
110	RFU																					
111	RFU																					

Multiple Protocol Contactless Reader IC

CL RC632

5.2.5.8 PreSet27 Register

Name: PreSet27

Address: 0x27

Reset value: xxxxxxxx, 0xxx

	7	6	5	4	3	2	1	0
	x	x	x	x	x	x	x	x
Access Rights	w	w	w	w	w	w	w	w

Multiple Protocol Contactless Reader IC

CL RC632

5.2.6 PAGE 5: FIFO, TIMER AND IRQ- PIN CONFIGURATION

5.2.6.1 Page Register

Selects the register page. See 5.2.1.1 Page Register.

5.2.6.2 FIFOLevel Register

Defines the level for FIFO under- and overflow warning.

Name: FIFOLevel

Address: 0x29

Reset value:00001000, 0x08

	7	6	5	4	3	2	1	0
	0	0	WaterLevel					
Access Rights	r/w	r/w	r/w	r/w	r/w	r/w	r/w	r/w

Description of the bits

Bit	Symbol	Function
7-6	00	These values shall not be changed
5-0	WaterLevel	This register defines, the warning level of the CL RC632 for the μ -Processor for a FIFO-buffer over- or underflow: <i>HiAlert</i> is set to 1, if the remaining FIFO-buffer space is equal or less than <i>WaterLevel</i> bytes in the FIFO-buffer. <i>LoAlert</i> is set to 1, if equal or less than <i>WaterLevel</i> bytes are in the FIFO-buffer.

Multiple Protocol Contactless Reader IC

CL RC632

5.2.6.3 TimerClock Register

Selects the divider for the timer clock.

Name: TimerClock

Address: 0x2A

Reset value: 00000111, 0x07

	7	6	5	4	3	2	1	0
	0	0	TAutoRestart	TPreScaler				
Access Rights	r/w	r/w	r/w	r/w	r/w	r/w	r/w	r/w

Description of the bits

Bit	Symbol	Function
7-6	00	These values shall not be changed
5	TAutoRestart	If set to 1, the timer automatically restart its count-down from <i>TReloadValue</i> , instead of counting down to zero. If set to 0 the timer decrements to zero and the bit <i>TimerIRq</i> is set to 1.
4-0	TPreScaler	Defines the timer clock f_{Timer} . <i>TPreScaler</i> can be adjusted from 0 up to 21. The following formula is used to calculate f_{Timer} : $f_{Timer} = 13.56 \text{ MHz} / 2^{TPreScaler}$.

Multiple Protocol Contactless Reader IC

CL RC632

5.2.6.4 TimerControl Register

Selects start and stop conditions for the timer.

Name: TimerControl

Address: 0x2B

Reset value: 00000110, 0x06

	7	6	5	4	3	2	1	0
	0	0	0	0	TStopRxEnd	TStopRxBegin	TStartTxEnd	TStartTxBegin
Access Rights	r/w	r/w	r/w	r/w	r/w	r/w	r/w	r/w

Description of the bits

Bit	Symbol	Function
7-4	0000	These values shall not be changed
3	TStopRxEnd	If set to 1, the timer stops automatically when data reception ends. 0 indicates, that the timer is not influenced by this condition.
2	TStopRxBegin	If set to 1, the timer stops automatically, when the first valid bit is received. 0 indicates, that the timer is not influenced by this condition.
1	TStartTxEnd	If set to 1, the timer starts automatically when data transmission ends. If the timer is already running, the timer restarts by loading <i>TReloadValue</i> into the timer. 0 indicates, that the timer is not influenced by this condition.
0	TStartTxBegin	If set to 1, the timer is starts automatically when the first bit is transmitted. If the timer is already running, the timer restarts by loading <i>TReloadValue</i> into the timer. 0 indicates, that the timer is not influenced by this condition.

Multiple Protocol Contactless Reader IC

CL RC632

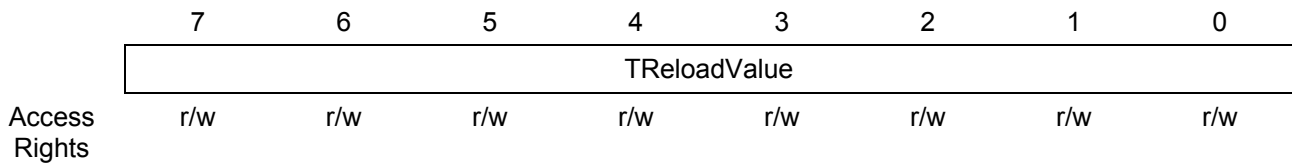
5.2.6.5 *TimerReload Register*

Defines the preset value for the timer.

Name: TimerReload

Address: 0x2C

Reset value: 00001010, 0x0A



Description of the bits

Bit	Symbol	Function
7-0	TreloadValue	With a start event the timer loads with the <i>TreloadValue</i> . Changing this register affects the timer only with the next start event. If <i>TReloadValue</i> is set to 0, the timer cannot start.

Multiple Protocol Contactless Reader IC

CL RC632

5.2.6.6 IRQPinConfig Register

Configures the output stage for pin IRQ.

Name: IRQPinConfig

Address: 0x2D

Reset value: 00000010, 0x02

	7	6	5	4	3	2	1	0
	0	0	0	0	0	0	IRQInv	IRQPushPull
Access Rights	r/w	r/w	r/w	r/w	r/w	r/w	r/w	r/w

Description of the bits

Bit	Symbol	Function
7-2	000000	These values shall not be changed
1	IRQInv	If set to 1, the signal on pin IRQ is inverted with respect to bit <i>IRQ</i> . 0 indicates, that the signal on pin IRQ is equal to bit <i>IRQ</i> .
0	IRQPushPull	If set to 1, pin IRQ works as standard CMOS output pad. 0 indicates, that pin IRQ works as open drain output pad.

5.2.6.7 PreSet2E

Name: PreSet2E

Address: 0x2E

Reset value: xxxxxxxx, 0xxx

	7	6	5	4	3	2	1	0
	x	x	x	x	x	x	x	x
Access Rights	w	w	w	w	w	w	w	w

5.2.6.8 Preset2F

Name: PreSet2F

Address: 0x2F

Reset value: xxxxxxxx, 0xxx

	7	6	5	4	3	2	1	0
	x	x	x	x	x	x	x	x
Access Rights	w	w	w	w	w	w	w	w

Multiple Protocol Contactless Reader IC

CL RC632

5.2.8 PAGE 7: TEST CONTROL

5.2.8.1 Page Register

Selects the register page. See 5.2.1.1 *Page Register*.

5.2.8.2 RFU Register

Name: RFU

Address: 0x39

Reset value: xxxxxxxx, 0xxx

	7	6	5	4	3	2	1	0
	x	x	x	x	x	x	x	x
Access Rights	w	w	w	w	w	w	w	w

Note: This register is reserved for future use.

Multiple Protocol Contactless Reader IC

CL RC632

5.2.8.3 TestAnaSelect Register

Selects analog test signals.

Name: TestAnaSelect

Address: 0x3A

Reset value: 00000000, 0x00

	7	6	5	4	3	2	1	0
	0	0	0	0	TestAnaOutSel			
Access Rights	w	w	w	w	w	w	w	w

Description of the bits

Bit	Symbol	Function																																		
7-4	0000	These values shall not be changed																																		
3-0	TestAnaOutSel	<p>This register selects the internal analog signal that is routed to pin AUX. For detailed information see 21.3</p> <table border="1"> <thead> <tr> <th>Value</th> <th>Signal Name</th> </tr> </thead> <tbody> <tr><td>0</td><td>V_{mid}</td></tr> <tr><td>1</td><td>V_{bandgap}</td></tr> <tr><td>2</td><td>V_{RxFoll}</td></tr> <tr><td>3</td><td>V_{RxFollQ}</td></tr> <tr><td>4</td><td>V_{RxAmpl}</td></tr> <tr><td>5</td><td>V_{RxAmpQ}</td></tr> <tr><td>6</td><td>V_{CorrNI}</td></tr> <tr><td>7</td><td>V_{CorrNQ}</td></tr> <tr><td>8</td><td>V_{CorrDI}</td></tr> <tr><td>9</td><td>V_{CorrDQ}</td></tr> <tr><td>A</td><td>V_{EvalL}</td></tr> <tr><td>B</td><td>V_{EvalR}</td></tr> <tr><td>C</td><td>V_{Temp}</td></tr> <tr><td>D</td><td>RFU</td></tr> <tr><td>E</td><td>RFU</td></tr> <tr><td>F</td><td>RFU</td></tr> </tbody> </table>	Value	Signal Name	0	V _{mid}	1	V _{bandgap}	2	V _{RxFoll}	3	V _{RxFollQ}	4	V _{RxAmpl}	5	V _{RxAmpQ}	6	V _{CorrNI}	7	V _{CorrNQ}	8	V _{CorrDI}	9	V _{CorrDQ}	A	V _{EvalL}	B	V _{EvalR}	C	V _{Temp}	D	RFU	E	RFU	F	RFU
Value	Signal Name																																			
0	V _{mid}																																			
1	V _{bandgap}																																			
2	V _{RxFoll}																																			
3	V _{RxFollQ}																																			
4	V _{RxAmpl}																																			
5	V _{RxAmpQ}																																			
6	V _{CorrNI}																																			
7	V _{CorrNQ}																																			
8	V _{CorrDI}																																			
9	V _{CorrDQ}																																			
A	V _{EvalL}																																			
B	V _{EvalR}																																			
C	V _{Temp}																																			
D	RFU																																			
E	RFU																																			
F	RFU																																			

Multiple Protocol Contactless Reader IC

CL RC632

5.2.8.4 *RFU Register*

Name: RFU

Address: 0x3B

Reset value: xxxxxxxx, 0xxx

	7	6	5	4	3	2	1	0
	x	x	x	x	x	x	x	x
Access Rights	w	w	w	w	w	w	w	w

Note: This register is reserved for future use.

5.2.8.5 *RFU Register*

Name: RFU

Address: 0x3C

Reset value: xxxxxxxx, 0xxx

	7	6	5	4	3	2	1	0
	x	x	x	x	x	x	x	x
Access Rights	w	w	w	w	w	w	w	w

Note: This register is reserved for future use.

Multiple Protocol Contactless Reader IC

CL RC632

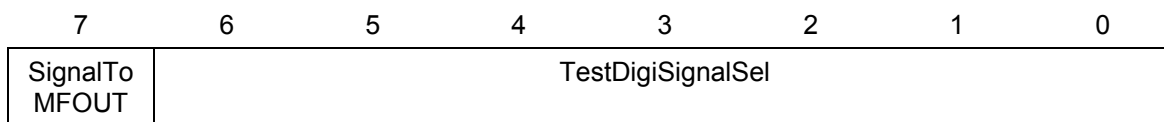
5.2.8.6 TestDigiSelect Register

Selects digital test mode.

Name: TestDigiSelect

Address: 0x3D

Reset value: xxxxxxxx, 0xxx



Access Rights	w	w	w	w	w	w	w	w
---------------	---	---	---	---	---	---	---	---

Description of the bits

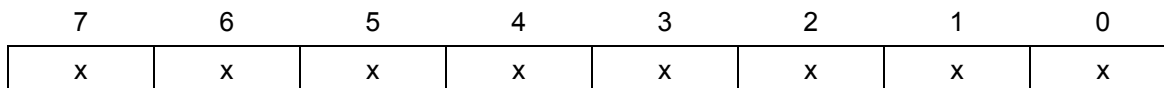
Bit	Symbol	Function																				
7	SignalToMFOUT	Set to 1, overrides the setting in <i>MFOUTSelect</i> and the digital test signal defined in <i>TestDigiSignalSel</i> is routed to pin MFOUT instead. Set to 0, <i>MFOUTSelect</i> defines the signal delivered at pin MFOUT.																				
6-0	TestDigiSignalSel	Selects the digital test signal to be routed to pin MFOUT. For detailed information refer to chapter 21.4 <table border="1" style="width: 100%; border-collapse: collapse; margin-top: 5px;"> <thead> <tr> <th style="width: 30%;">TestDigiSignalSel</th> <th style="width: 70%;">Signal Name</th> </tr> </thead> <tbody> <tr><td style="text-align: center;">F4_{hex}</td><td>s_data</td></tr> <tr><td style="text-align: center;">E4_{hex}</td><td>s_valid</td></tr> <tr><td style="text-align: center;">D4_{hex}</td><td>s_coll</td></tr> <tr><td style="text-align: center;">C4_{hex}</td><td>s_clock</td></tr> <tr><td style="text-align: center;">B5_{hex}</td><td>rd_sync</td></tr> <tr><td style="text-align: center;">A5_{hex}</td><td>wr_sync</td></tr> <tr><td style="text-align: center;">96_{hex}</td><td>int_clock</td></tr> <tr><td style="text-align: center;">83_{hex}</td><td>BPSK_out</td></tr> <tr><td style="text-align: center;">E2_{hex}</td><td>BPSK_sig</td></tr> </tbody> </table>	TestDigiSignalSel	Signal Name	F4 _{hex}	s_data	E4 _{hex}	s_valid	D4 _{hex}	s_coll	C4 _{hex}	s_clock	B5 _{hex}	rd_sync	A5 _{hex}	wr_sync	96 _{hex}	int_clock	83 _{hex}	BPSK_out	E2 _{hex}	BPSK_sig
TestDigiSignalSel	Signal Name																					
F4 _{hex}	s_data																					
E4 _{hex}	s_valid																					
D4 _{hex}	s_coll																					
C4 _{hex}	s_clock																					
B5 _{hex}	rd_sync																					
A5 _{hex}	wr_sync																					
96 _{hex}	int_clock																					
83 _{hex}	BPSK_out																					
E2 _{hex}	BPSK_sig																					

5.2.8.7 RFU Registers

Name: RFU

Address: 0x3E, 0x3F

Reset value: xxxxxxxx, 0xxx



Access Rights	w	w	w	w	w	w	w	w
---------------	---	---	---	---	---	---	---	---

Note: These registers are reserved for future use.

Multiple Protocol Contactless Reader IC

CL RC632

5.3 CL RC632 Register Flags Overview

Flag(s)	Register	Address Register, Bit Position
AccessErr	ErrorFlag	0x0A, bit 5
BitPhase	BitPhase	0x1B, bits 7:0
CharSpacing	TypeBFraming	0x17, bits 4:2
ClkQ180Deg	ClockQControl	0x1F, bit 7
ClkQCalib	ClockQControl	0x1F, bit 6
ClkQDelay	ClockQControl	0x1F, bits 4:0
CoderRate	CoderControl	0x14, bits 5:3
CollErr	ErrorFlag	0x0A, bit 0
CollLevel	RxThreshold	0x1C, bits 3:0
CollPos	CollPos	0x0B, bits 7:0
Command	Command	0x01, bits 5:0
CRC3309	ChannelRedundancy	0x22, bit 5
CRC8	ChannelRedundancy	0x22, bit 4
CRCErr	ErrorFlag	0x0A, bit 3
CRCPresetLSB	CRCPresetLSB	0x23, bits 7:0
CRCPresetMSB	CRCPresetMSB	0x24, bits 7:0
CRCReady	SecondaryStatus	0x05, bit 5
CRCResultMSB	CRCResultMSB	0x0E, bits 7:0
CRCResultLSB	CRCResultLSB	0x0D, bits 7:0
Crypto1On	Control	0x09, bit 3
DecoderSource	RxControl2	0x1E, bits 1:0
E2Ready	SecondaryStatus	0x05, bit 6
EOFWidth	TypeBFraming	0x17, bit 5
Err	PrimaryStatus	0x03, bit 2
FIFOData	FIFOData	0x02, bits 7:0
FIFOLength	FIFOLength	0x04, bits 7:0
FIFOovfl	ErrorFlag	0x0A, bit 4
FilterAmpDet	BPSKDemControl	0x1D, bit 4
FlushFIFO	Control	0x09, bit 0
Force100ASK	TxControl	0x11, bit 4
FramingErr	ErrorFlag	0x0A, bit 2
Gain	RxControl1	0x19, bits 1:0
GsCfgCW	CWConductance	0x12, bits 5:0

Multiple Protocol Contactless Reader IC

CL RC632

Flag(s)	Register	Address Register, Bit Position
GsCfgMod	ModConductance	0x13, bits 5:0
HiAlert	PrimaryStatus	0x03, bit 1
HiAlertIEn	InterruptEn	0x06, bit 1
HiAlertIRq	InterruptRq	0x07, bit 1
IdleIEn	InterruptEn	0x06, bit 2
IdleIRq	InterruptRq	0x07, bit 2
IFDetectBusy	Command	0x01, bit 7
Irq	PrimaryStatus	0x03, bit 3
IRQInv	IRQPinConfig	0x2D, bit 1
IRQPushPull	IRQPinConfig	0x2D, bit 0
ISO Selection	RxControl1	0x19, bits 4:3
KeyErr	ErrorFlag	0x0A, bit 6
LoAlert	PrimaryStatus	0x03, bit 0
LoAlertIEn	InterruptEn	0x06, bit 0
LoAlertIRq	InterruptRq	0x07, bit 0
LPOff	RxControl1	0x19, bit 2
MFOUTSelect	MFOUTSelect	0x26, bits 2:0
MinLevel	RxThreshold	0x1C, bits 7:4
ModemState	PrimaryStatus	0x03, bit 6:4
ModulatorSource	TxControl	0x11, bits 6:5
ModWidth	ModWidth	0x15, bits 7:0
NoRxEGT	BPSKDemControl	0x1D, bit 6
NoRxEOF	BPSKDemControl	0x1D, bit 5
NoRxSOF	BPSKDemControl	0x1D, bit 7
NoTxEOF	TypeBFraming	0x17, bit 6
NoTxSOF	TypeBFraming	0x17, bit 7
PageSelect	Page	0x00, 0x08, 0x10, 0x18, 0x20, 0x28, 0x30, 0x38, bits 2:0
ParityEn	ChannelRedundancy	0x22, bit 0
ParityErr	ErrorFlag	0x0A, bit 1
ParityOdd	ChannelRedundancy	0x22, bit 1
PowerDown	Control	0x09, bit 4
RcvClkSell	RxControl2	0x1E, bit 7
RxAlign	BitFraming	0x0F, bits 6:4

Multiple Protocol Contactless Reader IC

CL RC632

Flag(s)	Register	Address Register, Bit Position
RxAutoPD	RxControl2	0x1E, bit 6
RxCRCEn	ChannelRedundancy	0x22, bit 3
RxCoding	DecoderControl	0x1A, bit 0
RxFraming	DecoderControl	0x1A, bits 4:3
RxIEn	InterruptEn	0x06, bit 3
RxIRq	InterruptRq	0x07, bit 3
RxLastBits	SecondaryStatus	0x05, bits 2:0
RxMultiple	DecoderControl	0x1A, bit 6
RxWait	RxWait	0x21, bits 7:0
SetIEn	InterruptEn	0x06, bit 67
SetIRq	InterruptRq	0x07, bit 7
SignalToMFOUT	TestDigiSelect	0x3D, bit 7
SOFWidth	TypeBFraming	0x17, bits 1:0
StandBy	Control	0x09, bit 5
SubCPulses	RxControl1	0x19, bits 7:5
TauB	BPSKDemControl	0x1D, bits 1:0
TauD	BPSKDemControl	0x1D, bits 3:2
TautoRestart	TimerClock	0x2A, bit 5
TestAnaOutSel	TestAnaSelect	0x3A, bits 6:4
TestDigiSignalSel	TestDigiSelect	0x3D, bit 6:0
TimerIEn	InterruptEn	0x06, bit 5
TimerIRq	InterruptRq	0x07, bit 5
TimerValue	TimerValue	0x0C, bits 7:0
TimeSlotPeriod	TimeSlotPeriod	0x25, bits 7:0
TimeSlotPeriodMSB	MFOUTSelect	0x26, bit 4
TpreScaler	TimerClock	0x2A, bits 4:0
TReloadValue	TimerReload	0x2C, bits 7:0
TRunning	SecondaryStatus	0x05, bit 7
TstartTxBegin	TimerControl	0x2B, bit 0
TstartTxEnd	TimerControl	0x2B, bit 1
TstartNow	Control	0x09, bit 1
TstopRxBegin	TimerControl	0x2B, bit 2
TstopRxEnd	TimerControl	0x2B, bit 3
TstopNow	Control	0x09, bit 2

Multiple Protocol Contactless Reader IC

CL RC632

Flag(s)	Register	Address Register, Bit Position
TX1RFEn	TxControl	0x11, bit 0
TX2Cw	TxControl	0x11, bit 3
TX2Inv	TxControl	0x11, bit 3
TX2RFEn	TxControl	0x11, bit 1
TxCoding	CoderControl	0x14, bits 2:0
TxCRCEn	ChannelRedundancy	0x22, bit 2
TxIEn	InterruptEn	0x06, bit 4
TxIRq	InterruptRq	0x07, bit 4
TxLastBits	BitFraming	0x0F, bits 2:0
UsePageSelect	Page	0x00, 0x08, 0x10, 0x18, 0x20, 0x28, 0x30, 0x38, bit 7
WaterLevel	FIFOLevel	0x29, bits 5:0
ZeroAfterColl	DecoderControl	0x1A, bit 5

Multiple Protocol Contactless Reader IC

CL RC632

5.4 Modes of Register Addressing

Three mechanisms are valid to operate with the CL RC632:

- Initiating functions and controlling data manipulation by executing *commands*
- Configuring electrical and functional behaviour via a set of *configuration bits*
- Monitoring the state of the CL RC632 by reading *status flags*

The commands, configuration bits and flags are accessed via the μ -Processor interface. The CL RC632 can internally address 64 registers. This basically requires six address lines.

5.4.1 PAGING MECHANISM

The CL RC632 register set is segmented into 8 pages with 8 register each. The *Page-Register* can always be addressed, no matter which page is currently selected.

5.4.2 DEDICATED ADDRESS BUS

Using the CL RC632 with dedicated address bus, the μ -Processor defines three address lines via the address pins A0, A1, and A2. This allows addressing within a page. To switch between registers in different pages the paging mechanism needs then to be used.

The following table shows how the register address is assembled:

Register Bit: <i>UsePageSelect</i>	Register-Address					
1	<i>PageSelect2</i>	<i>PageSelect1</i>	<i>PageSelect0</i>	A2	A1	A0

Table 5-3: Dedicated Address Bus: Assembling the Register Address

5.4.3 MULTIPLEXED ADDRESS BUS

Using the CL RC632 with multiplexed address bus, the μ -Processor may define all 6 address lines at once. In this case either the paging mechanism or linear addressing may be used.

The following table shows how the register address is assembled:

Interface Bus Type	Register Bit: <i>UsePageSelect</i>	Register-Address					
Multiplexed Address Bus (paging mode)	1	<i>PageSelect2</i>	<i>PageSelect1</i>	<i>PageSelect0</i>	AD2	AD1	AD0
Multiplexed Address Bus (linear addressing)	0	AD5	AD4	AD3	AD2	AD1	AD0

Table 5-4: Multiplexed Address Bus: Assembling the Register Address

Multiple Protocol Contactless Reader IC

CL RC632

6 MEMORY ORGANISATION OF THE E²PROM6.1 Diagram of the E²PROM Memory Organisation

Block Number	Block Address	Byte Addresses	Access Rights	Memory Content	See Also
0	0	00 ... 0F	r	Product Information Field	6.2
1	1	10 ... 1F	r/w	Start Up Register Initialisation File	6.3.1
2	2	20 ... 2F	r/w		
3	3	30 ... 3F	r/w	Register Initialisation File For User data or second Initialisation	6.3.3
4	4	40 ... 4F	r/w		
5	5	50 ... 5F	r/w		
6	6	60 ... 6F	r/w		
7	7	70 ... 7F	r/w		
8	8	80 ... 8F	w		
9	9	90 ... 9F	w		
10	A	A0 ... AF	w	Keys for Crypto1	6.4
11	B	B0 ... BF	w		
12	C	C0 ... CF	w		
13	D	D0 ... DF	w		
14	E	E0 ... EF	w		
15	F	F0 ... FF	w		
16	10	100 ... 10F	w		
17	11	110 ... 11F	w		
18	12	120 ... 12F	w		
19	13	130 ... 13F	w		
20	14	140 ... 14F	w		
21	15	150 ... 15F	w		
22	16	160 ... 16F	w		
23	17	170 ... 17F	w		
24	18	180 ... 18F	w		
25	19	190 ... 19F	w		
26	1A	1A0 ... 1AF	w		
27	1B	1B0 ... 1BF	w		
28	1C	1C0 ... 1CF	w		
29	1D	1D0 ... 1DF	w		
30	1E	1E0 ... 1EF	w		
31	1F	1F0 ... 1FF	w		

Table 6-1: Diagram of E²PROM Memory Organisation

Multiple Protocol Contactless Reader IC

CL RC632

6.2 Product Information Field (Read Only)

Byte	0	1	2	3	4	5	6	7	8	9	10	11	12	13	14	15
Meaning	Product Type Identification					RFU			Product Serial Number				Internal		RsMaxP	CRC

Table 6-2: Product Information Field

PRODUCT TYPE IDENTIFICATION:

The CL RC632 is a member of a new family for highly integrated reader IC's. Each member of the product family has its unique Product Type Identification. The value of the Product Type Identification is shown in the table below:

	Product Type Identification				
Byte	0	1	2	3	4
Value	30 _{hex}	FF _{hex}	FF _{hex}	0F _{hex}	XX _{hex}

Table 6-3: Product Type Identification Definition

Byte 4 indicates the current version number.

PRODUCT SERIAL NUMBER:

The CL RC632 holds a four byte serial number that is unique for each device.

INTERNAL:

These 2 bytes hold internal trimming parameters.

RsMaxP:

Maximum Source Resistance for the p-Channel Driver Transistor of pin TX1 and TX2

The source resistance of the p-channel driver transistors of pin TX1 and TX2 may be adjusted via the value *GsCfgCW* in the *CWConductance Register* (see chapter 13.3). The mean value of the maximum adjustable source resistance of the pins TX1 and TX2 is stored as an integer value in Ohms in byte RsMaxP.

This value is denoted as maximum adjustable source resistance $R_{s,ref,max,p}$ and is measured setting *GsCfgCW* in the *Register CWConductance* to 01_{hex}. It is in the range between about 80 to 120 Ohm.

CRC:

The content of the product information field is secured via a CRC-byte, which is checked during start up.

Multiple Protocol Contactless Reader IC

CL RC632

6.3 Register Initialisation Files (Read/Write)

Register initialisation in the register address range from 10_{hex} to 2F_{hex} is done automatically during the Initialising Phase (see 11.3), using the Start Up Register Initialisation File. Furthermore, the user may initialise the CL RC632 registers with values from the Register Initialisation File executing the *LoadConfig-Command* (see 18.7.1).

Notes:

- The *Page-Register* (addressed with 10_{hex}, 18_{hex}, 20_{hex}, 28_{hex}) is skipped and not initialised.
- Make sure, that all *PreSet* registers are not changed.
- Make sure, that all register bits that are reserved for future use (RFU) are set to 0.

6.3.1 START UP REGISTER INITIALISATION FILE (READ/WRITE)

The content of the E²PROM memory block address 1 and 2 are used to initialise the CL RC632 registers 10_{hex} to 2F_{hex} during the Initialising Phase automatically. The default values written into the E²PROM during production are shown chapter 6.3.2.

The assignment is the following:

E ² PROM Byte Address	Register Address	Remark
10 _{hex} (Block 1, Byte 0)	10 _{hex}	Skipped
11 _{hex}	11 _{hex}	Copied
...
2F _{hex} (Block 2, Byte 15)	2F _{hex}	Copied

Table 6-4: Byte Assignment for Register Initialisation at Start Up

Multiple Protocol Contactless Reader IC

CL RC632

6.3.2 SHIPMENT CONTENT OF START UP REGISTER INITIALISATION FILE

During production test, the Start Up Register Initialisation File is initialised with the values shown in the table below. With each power up these values are written into the CL RC632 register during the Initialising Phase.

E ² PROM Byte Address	Reg. Address	Value	Description
10	10	00	<i>Page</i> : free for user
11	11	58	<i>TxControl</i> : Transmitter pins TX1 and TX2 switched off, bridge driver configuration, modulator driven from internal digital circuitry
12	12	3F	<i>CwConductance</i> : Source resistance of TX1 and TX2 to minimum.
13	13	3F	<i>ModConductance</i> : defines the output conductance
14	14	19	<i>CoderControl</i> : ISO14443-A coding is set
15	15	13	<i>ModWidth</i> : Pulse width for Miller pulse coding is set to standard configuration.
16	16	3F	<i>ModWithSOF</i> : Pulse width of SOF
17	17	3B	<i>TypeFraming</i> : ISO 14443-A framing is set
18	18	00	<i>Page</i> : free for user
19	19	73	<i>RxControl1</i> : ISO 14443-A is set and internal amplifier gain is maximum.
1A	1A	08	<i>DecoderControl</i> : A bit-collision always evaluates to HIGH in the data bit stream.
1B	1B	AD	<i>BitPhase</i> : <i>BitPhase</i> is set to standard configuration.
1C	1C	FF	<i>RxThreshold</i> : <i>MinLevel</i> and <i>CollLevel</i> are set to maximum.
1D	1D	1E	<i>BPSKDemControl</i> : ISO14443-A is set
1E	1E	41	<i>RxControl2</i> : Use Q-clock for the receiver, 'Automatic Receiver Off' is switched on, decoder is driven from internal analog circuitry.
1F	1F	00	<i>ClockQControl</i> : 'Automatic Q-clock Calibration' is switched on.
20	20	00	<i>Page</i> : free for user
21	21	06	<i>RxWait</i> : Frame Guard Time is set to six bit clocks.
22	22	03	<i>ChannelRedundancy</i> : Channel Redundancy is set according to ISO14443-A.
23	23	63	<i>CRCPreSetLSB</i> : CRC-Preset value is set according to ISO14443-A.
24	24	63	<i>CRCPreSetMSB</i> : CRC-Preset value is set according to ISO14443-A.
25	25	00	<i>TimeSlotPeriod</i> : : defines the time for the 1 •CODE1 time slots
26	26	00	<i>MFOUSelect</i> : Pin MFOUT is set to LOW.
27	27	00	<i>PreSet27</i>
28	28	00	<i>Page</i> : free for user
29	29	08	<i>FIFOLevel</i> : <i>WaterLevel</i> FIFO buffer warning level is set to standard configuration.
2A	2A	07	<i>TimerClock</i> : <i>TPreScaler</i> is set to standard configuration, timer unit restart function is switched off.
2B	2B	06	<i>TimerControl</i> : Timer is started at the end of transmission, stopped at the beginning of reception.
2C	2C	0A	<i>TimerReload</i> : <i>TReloadValue</i> : the timer unit preset value is set to standard configuration.
2D	2D	02	<i>IRQPinConfig</i> : Pin IRQ is set to high impedance.
2E	2E	00	<i>PreSet2E</i>
2F	2F	00	<i>PreSet2F</i>

Table 6-5: Shipment Content of Start Up Configuration File

Note: The default configuration of the CL RC632 supports the MIFARE[®] and ISO 14443 A communication scheme. The memory addresses 3 to 7 may be used for user specific initialisation files as **1**•CODE1, ISO15693 or ISO14443 B.

Multiple Protocol Contactless Reader IC

CL RC632

6.3.3 REGISTER INITIALISATION FILE (READ/WRITE)

The content of the E²PROM memory from block address 3 to 7 may be used to initialise the CL RC632 registers 10_{hex} to 2F_{hex} by execution of the *LoadConfig-Command* (see 18.7.1). It requires a two bytes argument, used as the two bytes long E²PROM starting byte address for the initialisation procedure.

The assignment is the following:

E ² PROM Byte Address	Register Address	Remark
Starting Byte address for the E ² PROM	10 _{hex}	Skipped
Starting Byte address for the E ² PROM +1	11 _{hex}	Copied
...
Starting Byte address for the E ² PROM + 31	2F _{hex}	Copied

Table 6-6: Byte Assignment for Register Initialisation at Start Up

The Register Initialisation File is big enough to hold the values for two initialisation sets and leaves one more block (16 bytes) for the user.

Note: The Register Initialisation File is read- and write-able for the user. Therefore, these bytes may also be used to store user specific data for other purposes.

The standard configuration for the CL RC632 enables the MIFARE® and ISO14443 setting after each power up.

To give the user the needed flexibility the startup configuration might be adapted and for example the ICODE1 start up configuration might be stored in the register block address 3 and 4.

Multiple Protocol Contactless Reader IC

CL RC632

6.3.4 CONTENT OF I●CODE1 AND ISO15693 START UP REGISTER VALUES

To enable the I●CODE1 functionality the following table gives an overview on the start up values for communication according to the I●CODE1 and ISO15693 scheme

E ² PROM Byte Address	Reg. Address	Value	Description
30	10	00	<i>Page</i> : free for user
31	11	58	<i>TxControl</i> : Transmitter pins TX1 and TX2 switched off, bridge driver configuration, modulator driven from internal digital circuitry
32	12	3F	<i>CwConductance</i> : Source resistance of TX1 and TX2 to minimum.
33	13	05	<i>ModGsCfg</i> : Source resistance of TX1 and TX2 at the time of Modulation, to determine the modulation index
34	14	2C	<i>CoderControl</i> : Selects the bit coding mode and the framing during transmission
35	15	3F	<i>ModWidth</i> : Pulse width for "used code (1 out of 256, RZ or 1 out of 4)" pulse coding is set to standard configuration.
36	16	3F	<i>ModWidthSOF</i> Pulse width of SOF
37	17	00	<i>TypeBFraming</i>
38	18	00	<i>Page</i> : free for user
39	19	8B	<i>RxControl1</i> : Amplifier gain is maximum.
3A	1A	00	<i>DecoderControl</i> : A bit-collision always evaluates to HIGH in the data bit stream.
3B	1B	54	<i>BitPhase</i> : <i>BitPhase</i> is set to standard configuration.
3C	1C	68	<i>RxThreshold</i> : <i>MinLevel</i> and <i>CollLevel</i> are set to maximum.
3D	1D	00	<i>BPSKDemControl</i>
3E	1E	41	<i>RxControl2</i> : Use Q-clock for the receiver, 'Automatic Receiver Off' is switched on, decoder is driven from internal analog circuitry.
3F	1F	00	<i>ClockQControl</i> : Automatic Q-clock Calibration' is switched on.
40	20	00	<i>Page</i> : free for user
41	21	08	<i>RxWait</i> : Frame Guard Time is set to six bit clocks.
42	22	0C	<i>ChannelRedundancy</i> : Channel Redundancy is set according to I●CODE1.
43	23	FE	<i>CRCPreSetLSB</i> : CRC-Preset value is set according to I●CODE1.
44	24	FF	<i>CRCPreSetMSB</i> : CRC-Preset value is set according to I●CODE1.
45	25	00	<i>TimeSlot Period</i> : defines the time for the I●CODE1 time slots
46	26	00	<i>MFOUSelect</i> : Pin MFOUT is set to LOW.
47	27	00	<i>PreSet27</i>
48	28	00	<i>Page</i> : free for user
49	29	3E	<i>FIFOLevel</i> : <i>WaterLevel</i> : FIFO buffer warning level is set to standard configuration.
4A	2A	0B	<i>TimerClock</i> : <i>TPreScaler</i> is set to standard configuration, timer unit restart function is switched off.
4B	2B	02	<i>TimerControl</i> : Timer is started at the end of transmission, stopped at the beginning of reception.
4C	2C	00	<i>TimerReload</i> : <i>TReloadValue</i> : the timer unit preset value is set to standard configuration
4D	2D	02	<i>IRQPinConfig</i> : Pin IRQ is set to high impedance.
4E	2E	00	<i>PreSet2E</i>
4F	2F	00	<i>PreSet2F</i>

Table 6-7: Content of I●CODE1 Start Up Configuration

6.4 Crypto1 Keys (Write Only)

The MIFARE[®] Classic security requires specific keys to encrypt the communication on the contactless interface. These keys are named as crypto1 keys.

Multiple Protocol Contactless Reader IC

CL RC632

6.4.1 KEY FORMAT

To store a key in the E²PROM, it has to be written in a specific format. Each key byte has to be split into the lower four bits k0 to k3 (lower nibble) and the higher four bits k4 to k7 (higher nibble). Each nibble is stored twice in one byte and one of the two nibbles is bit-wise inverted. This format is a precondition for successful execution of the *LoadKeyE2*- (see 18.9.1) and the *LoadKey-Command* (see 18.9.2). With this format, 12 bytes of the E²PROM memory are needed to store a 6 byte long key.

This is shown in the following table:

Master Key Byte	0 (LSB)				1				5 (MSB)					
Master Key Bits	k7 k6 k5 k4		k7 k6 k5 k4		k3 k2 k1 k0		k3 k2 k1 k0		k7 k6 k5 k4		k7 k6 k5 k4		k3 k2 k1 k0	
E ² PROM Byte Address	n		n+1		n+2		n+3		n+10		n+11			
Example	5A _{hex}		F0 _{hex}		5A _{hex}		E1 _{hex}		5A _{hex}		A5 _{hex}			

Table 6-8: Key Storage Format

Example: For the actual key A0 A1 A2 A3 A4 A5_{hex} the value 5A F0 5A E1 5A D2 5A C3 5A B4 5A A5_{hex} must be written into the E²PROM.

Note: Although it is possible to load data of any other format into the key storage location of the E²PROM, it is not possible to obtain a valid card authentication with such a key. The *LoadKeyE2-Command* (see 18.9.1) will fail.

6.4.2 STORAGE OF KEYS IN THE E²PROM

The CL RC632 reserves 384 bytes of memory area in the E²PROM to hold Crypto1 keys. It uses no memory segmentation to mirror the 12 bytes structure of key storage. Thus, every byte of the dedicated memory area may be the start of a key.

Example: If a key loading cycle starts at the last byte address of an E²PROM block, e.g. key byte 0 is stored at 12F_{hex}, the following bytes are stored in the next E²PROM block, e.g. key byte 1 is stored at 130_{hex}, byte 2 at 131_{hex}, up to byte 11 at 13A_{hex}.

With 384 bytes of memory and 12 bytes needed for one key, 32 different keys may be stored in the E²PROM.

Note: It is not possible to load a key exceeding the E²PROM byte location 1FF_{hex}.

Multiple Protocol Contactless Reader IC

CL RC632

7 FIFO BUFFER

7.1 Overview

An 8x64 bit FIFO buffer is implemented in the CL RC632 acting as a parallel-to-parallel converter. It buffers the input and output data stream between the μ -Processor and the internals of the CL RC632. Thus, it is possible to handle data streams with lengths of up to 64 bytes without taking timing constraints into account.

7.2 Accessing the FIFO Buffer

7.2.1 ACCESS RULES

The FIFO-buffer input and output data bus is connected to the *FIFOData Register*. Writing to this register stores one byte in the FIFO-buffer and increments the internal FIFO-buffer write-pointer. Reading from this register shows the FIFO-buffer contents stored at the FIFO-buffer read-pointer and increments the FIFO-buffer read-pointer. The distance between the write- and read-pointer can be obtained by reading the *FIFOLength Register*.

When the μ -Processor starts a command, the CL RC632 may, while the command is in progress, access the FIFO-buffer according to that command. Physically only one FIFO-buffer is implemented, which can be used in input- and output direction. Therefore the μ -Processor has to take care, not to access the FIFO-buffer in an unintended way.

The following table gives an overview on FIFO access during command processing:

Active Command	μ -Processor is allowed to		Remark
	Write to FIFO	Read from FIFO	
StartUp	-	-	
Idle	-	-	
Transmit	✓	-	
Receive	-	✓	
Transceive	✓	✓	μ -Processor has to know the actual state of the command (transmitting or receiving)
WriteE2	✓	-	
ReadE2	✓	✓	The μ -Processor has to prepare the arguments, afterwards only reading is allowed
LoadKeyE2	✓	-	
LoadKey	✓	-	
Authent1	✓	-	
Authent2	-	-	
LoadConfig	✓	-	
CalcCRC	✓	-	

Table 7-1: Allowed Access to the FIFO-Buffer

Multiple Protocol Contactless Reader IC

CL RC632

7.3 Controlling the FIFO-Buffer

Besides writing to and reading from the FIFO-buffer, the FIFO-buffer pointers might be reset by setting the bit *FlushFIFO*. Consequently, *FIFOLength* becomes zero, *FIFOovfl* is cleared, the actually stored bytes are not accessible anymore and the FIFO-buffer can be filled with another 64 bytes again.

7.4 Status Information about the FIFO-Buffer

The μ -Processor may obtain the following data about the FIFO-buffers status:

- Number of bytes already stored in the FIFO-buffer: *FIFOLength*
- Warning, that the FIFO-buffer is quite full: *HiAlert*
- Warning, that the FIFO-buffer is quite empty: *LoAlert*
- Indication, that bytes were written to the FIFO-buffer although it was already full: *FIFOovfl*
FIFOovfl can be cleared only by setting bit *FlushFIFO*.

The CL RC632 can generate an interrupt signal

- If *LoAlertIRQ* is set to 1 it will activate Pin IRQ when *LoAlert* changes to 1.
- If *HiAlertIRQ* is set to 1 it will activate Pin IRQ when *HiAlert* changes to 1.

The flag *HiAlert* is set to 1 if only *WaterLevel* bytes or less can be stored in the FIFO-buffer. It is generated by the following equation:

$$HiAlert = (64 - FIFOLength) \leq WaterLevel$$

The flag *LoAlert* is set to 1 if *WaterLevel* bytes or less are actually stored in the FIFO-buffer. It is generated by the following equation:

$$LoAlert = FIFOLength \leq WaterLevel$$

Multiple Protocol Contactless Reader IC

CL RC632

7.5 Register Overview FIFO Buffer

The following table shows the related flags of the FIFO buffer in alphabetic order.

Flags	Register	Address Register, bit position
FIFOLength	FIFOLength	0x04, bits 6-0
FIFOOfI	ErrorFlag	0x0A, bit 4
FlushFIFO	Control	0x09, bit 0
HiAlert	PrimaryStatus	0x03, bit 1
HiAlertIEn	InterruptIEn	0x06, bit 1
HiAlertIRq	InterruptIRq	0x07, bit 1
LoAlert	PrimaryStatus	0x03, bit 0
LoAlertIEn	InterruptIEn	0x06, bit 0
LoAlertIRq	InterruptIRq	0x07, bit 0
WaterLevel	FIFOLevel	0x29, bits 5-0

Table 7-2. Registers associated with the FIFO Buffer

Multiple Protocol Contactless Reader IC

CL RC632

8 INTERRUPT REQUEST SYSTEM

8.1 Overview

The CL RC632 indicates certain events by setting bit *IRq* in the *PrimaryStatus-Register* and, in addition, by activating pin IRQ. The signal on pin IRQ may be used to interrupt the μ -Processor using its interrupt handling capabilities. This allows the implementation of efficient μ -Processor software.

8.1.1 INTERRUPT SOURCES OVERVIEW

The following table shows the integrated interrupt flags, the related source and the condition for its setting. The interrupt flag *TimerIRq* indicates an interrupt set by the timer unit. The setting is done when the timer decrements from 1 either down to zero (*TAutoRestart flag disabled*) or to the *TPreLoad* value if *TAutoRestart* is enabled.

The *TxIRq* bit indicates interrupts from different sources. If the transmitter is active and the state changes from sending data to transmitting the end of frame pattern, the transmitter unit sets automatically the interrupt bit. The CRC coprocessor sets *TxIRq* after having processed all data from the FIFO buffer. This is indicated by the flag *CRCReady* = 1. If the E²Prom programming has finished the *TxIRq* bit is set, indicated by the bit *E2Ready* = 1.

The *RxIRq* flag indicates an interrupt when the end of the received data is detected.

The flag *IdleIRq* is set if a command finishes and the content of the command register changes to idle.

The flag *HiAlertIRq* is set to 1 if the *HiAlert* bit is set to one, that means the FIFO buffer has reached the level indicated by the bit *WaterLevel*, see chapter 7.4.

The flag *LoAlertIRq* is set to 1 if the *LoAlert* bit is set to one, that means the FIFO buffer has reached the level indicated by the bit *WaterLevel*, see chapter 7.4.

Interrupt Flag	Interrupt Source	Is set automatically, when
TimerIRq	Timer Unit	the timer counts from 1 to 0
TxIRq	Transmitter	a data stream, transmitted to the card, ends
	CRC-Coprocessor	all data from the FIFO buffer has been processed
	E ² PROM	all data from the FIFO buffer has been programmed
RxIRq	Receiver	a data stream, received from the card, ends
IdleIRq	<i>Command Register</i>	a command execution finishes
HiAlertIRq	FIFO-buffer	the FIFO-buffer is getting full
LoAlertIRq	FIFO-buffer	the FIFO-buffer is getting empty

Table 8-1: Interrupt Sources

Multiple Protocol Contactless Reader IC

CL RC632

8.2 Implementation of Interrupt Request Handling

8.2.1 CONTROLLING INTERRUPTS AND THEIR STATUS

The CL RC632 informs the μ -Processor about the interrupt request source by setting the according bit in the *InterruptRq Register*. The relevance of each interrupt request bit as source for an interrupt may be masked with the interrupt enable bits of the *InterruptEn Register*.

Register	Bit 7	Bit 6	Bit 5	Bit 4	Bit 3	Bit 2	Bit 1	Bit 0
InterruptEn	SetIEn	rfu	TimerIEn	TxIEn	RxIEn	IdleIEn	HiAlertIEn	LoAlertIEn
InterruptRq	SetIRq	rfu	TimerIRq	TxIRq	RxIRq	IdleIRq	HiAlertIRq	LoAlertIRq

Table 8-2: Interrupt Control Registers

If any interrupt request flag is set to 1 (showing that an interrupt request is pending) and the corresponding interrupt enable flag is set the status flag *IRq* in the *PrimaryStatus Register* is set to 1. Furthermore different interrupt sources can be set active simultaneously. Therefore, all interrupt request bits are 'OR'ed and connected to the flag *IRq* and forwarded to pin *IRQ*.

8.2.2 ACCESSING THE INTERRUPT REGISTERS

The interrupt request bits are set automatically by the internal state machines of the CL RC632. Additionally the μ -Processor has access in order to set or to clear them.

A special implementation of the *InterruptRq* and the *InterruptEn Register* allows the change a single bit status without influencing the other ones. If a specific interrupt register shall be set to one, the bit *SetIxx* has to be set to 1 and simultaneously the specific bit has to be set to 1 too. Vice versa, if a specific interrupt flag shall be cleared, a zero has to be written to the *SetIxx* and simultaneously the specific address of the interrupt register has to be set to 1. If a bit content shall not be changed during the setting or clearing phase a zero has to be written to the specific bit location.

Example: writing 3F_{hex} to the *InterruptRq Register* clears all bits as *SetIRq* in this case is set to 0 and all other bits are set to 1. Writing 81_{hex} sets bit *LoAlertIRq* to 1 and leaves all other bits untouched.

8.3 Configuration of Pin IRQ

The logic level of the status flag *IRq* is visible at pin *IRQ*. In addition, the signal on pin *IRQ* may be controlled by the following bits of the *IRQPinConfig Register*:

- *IRQInv*: if set to 0, the signal on pin *IRQ* is equal to the logic level of bit *IRq*. If set to 1, the signal on pin *IRQ* is inverted with respect to bit *IRq*.
- *IRQPushPull*: if set to 1, pin *IRQ* has standard CMOS output characteristics otherwise it is an open drain output and an external resistor is necessary to achieve a HIGH level at this pin.

Note: During the Reset Phase (see 11.2) *IRQInv* is set to 1 and *IRQPushPull* to 0. This results in a high impedance at pin *IRQ*.

Multiple Protocol Contactless Reader IC

CL RC632

8.4 Register Overview Interrupt Request System

The following table shows the related flags of the Interrupt Request System in alphabetic order.

Flags	Register	Address Register, bit position
HiAlertEn	InterruptEn	0x06, bit 1
HiAlertRq	InterruptRq	0x07, bit 1
IdleEn	InterruptEn	0x06, bit 2
IdleRq	InterruptRq	0x07, bit 2
IRq	PrimaryStatus	0x03, bit 3
IRQInv	IRQPinConfig	0x07, bit 1
IRQPushPull	IRQPinConfig	0x07, bit 0
LoAlertEn	InterruptEn	0x06, bit 0
LoAlertRq	InterruptRq	0x07, bit 0
RxEn	InterruptEn	0x06, bit 3
RxRq	InterruptRq	0x07, bit 3
SetEn	InterruptEn	0x06, bit 7
SetRq	InterruptRq	0x07, bit 7
TimerEn	InterruptEn	0x06, bit 5
TimerRq	InterruptRq	0x07, bit 5
TxEn	InterruptEn	0x06, bit 4
TxRq	InterruptRq	0x07, bit 4

Table 8-3 Registers associated with the Interrupt Request System

Multiple Protocol Contactless Reader IC

CL RC632

9 TIMER UNIT

9.1 Overview

A timer is implemented in the CL RC632. It derives its clock from the 13.56 MHz chip-clock. The μ -Processor may use this timer to manage timing relevant tasks.

The timer unit may be used in one of the following configurations:

- Timeout-Counter
- Watch-Dog Counter
- Stop Watch
- Programmable One-Shot
- Periodical Trigger

The timer unit can be used to measure the time interval between two events or to indicate that a specific event occurred after a specific time. The timer can be triggered by events which will be explained in the following, but the timer itself does not influence any internal event (e.g. A timeout during data receiving does not influence the receiving process automatically). Furthermore, several timer related flags are set and these flags can be used to generate an interrupt.

Multiple Protocol Contactless Reader IC

CL RC632

9.2 Implementation of the Timer Unit

9.2.1 BLOCK DIAGRAM

The following block diagram shows the timer module.

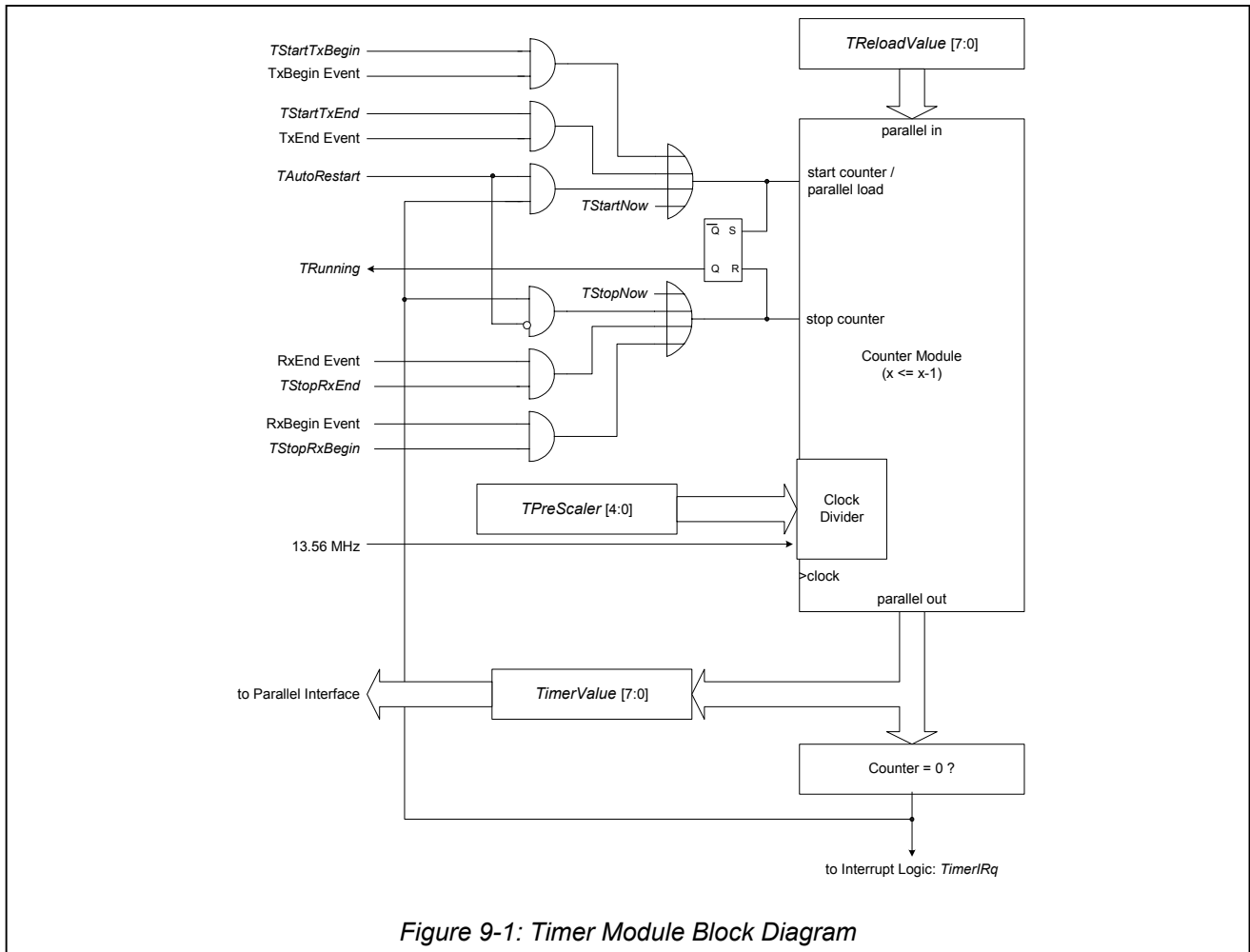


Figure 9-1: Timer Module Block Diagram

The timer unit is designed in a way, that several events in combination with enabling flags start or stop the counter. For example, setting the bit *TStartTxBegin* to 1 enables to control the receiving of data using the timer unit. In addition, the first received bit is indicated by *TxBeginEvent*. This combination starts the counter at the defined *TReloadValue*.

The timer stops either automatically if the counter value is equal to zero, or if a defined stop event happens.

Multiple Protocol Contactless Reader IC

CL RC632

9.2.2 CONTROLLING THE TIMER UNIT

The main part of the timer unit is a down-counter. As long as the down-counter value is unequal zero, it decrements its value with each timer clock.

If *TAutoRestart* is enabled the timer does not decrement down to zero. Having reached the value 1 the timer reloads with the next clock with the *TimerReload* value.

The timer is started immediately by loading a value from the *TimerReload Register* into the counter module. This may be triggered by one of the following events:

- Transmission of the first bit to the card (TxBegin Event) and bit *TStartTxBegin* is 1
- Transmission of the last bit to the card (TxEnd Event) and bit *TStartTxEnd* is 1
- Bit *TStartNow* is set to 1 (by the μ -Processor)

Note: Every start event reloads the timer from the *TimerReload Register*. Thus, the timer unit is re-triggered.

The timer can be configured to stop with one of the following events:

- Reception of the first valid bit from the card (RxBegin Event) and bit *TStopRxBegin* is set to 1
- Reception of the last bit from the card (RxEnd event) and bit *TStopRxEnd* is set to 1
- The counter module has decrement down to zero and bit *TAutoRestart* is set to 0
- Bit *TStopNow* is set to 1 (by the μ -Processor)

Loading a new value, e.g. zero, into the *TimerReload Register* does not immediately influence the counter, since the *TimerReload Register* affects the counter units content only with the next start event. Thus, the *TimerReload Register* may be changed even if the timer unit is already counting. The consequence of changing the *TimerReload Register* will be visible after the next start event.

If the counter is stopped by setting bit *TstopNow*, no *TimerIRq* is signalled.

9.2.3 TIMER UNIT CLOCK AND PERIOD

The clock of the timer unit is derived from the 13.56 MHz chip clock via a programmable divider. The clock selection is done with the *TPreScaler Register* that defines the timer unit clock frequency according to the following formula:

$$T_{TimerClock} = \frac{1}{f_{TimerClock}} = \frac{2^{TPreScaler}}{13.56MHz}$$

The possible values for the *TPreScaler Register* range from 0 up to 21 resulting in minimum time $T_{TimerClock}$ of about 74 ns up to about 150 ms.

The time period elapsed since the last start event is calculated with

$$T_{Timer} = \frac{TReLoadValue - TimerValue}{f_{TimerClock}}$$

resulting in a minimum time T_{Timer} of about 74 ns up to about 40 s.

Multiple Protocol Contactless Reader IC

CL RC632

9.2.4 STATUS OF THE TIMER UNIT

The *TRunning* bit in the *SecondaryStatus* Register shows the timer's current status. Any configured start event starts the timer at the *TReloadValue* and changes the status flag *TRunning* to 1, any configured stop event stops the timer and sets the status flag *TRunning* back to 0. As long as status flag *TRunning* is set to 1, the *TimerValue Register* changes with the next timer unit clock.

The actual timer unit content can be read directly via the *TimerValue Register*.

9.2.5 TIMESLOTPERIOD

For sending of I•CODE1-Quit-Frames it is necessary to generate an exact chronological relation to the beginning of the command frame.

If *TimeSlotPeriod* > 0, with the end of command transmission the *TimeSlotPeriod* starts.

If there are Data in the FIFO after reaching the end of *TimeSlotPeriod*, these data were sent at that moment.

If the FIFO is empty nothing happens.

As long as the content of *TimeSlotPeriod* is > 0 the counter for the *TimeSlotPeriod* will start automatically after reaching the end.

This allows an exact time relation to the end (as well as to the beginning) of the command frame for the generation and sending of the I•CODE1-Quit-Frames

If *TimeSlotPeriod* > 0 the next Frame starts exactly with the interval

$$\text{TimeSlotPeriod}/\text{CoderRate}$$

delayed after each previous Send Frame. *CoderRate* defines the clock frequency of the coder.

If *TimeSlotPeriod* = 0, the send function will not be triggered automatically.

The content of the register *TimeSlotPeriod* can be changed during the active mode. The modification takes effect at the next restart of the *TimeSlotPeriod*.

Multiple Protocol Contactless Reader IC

CL RC632

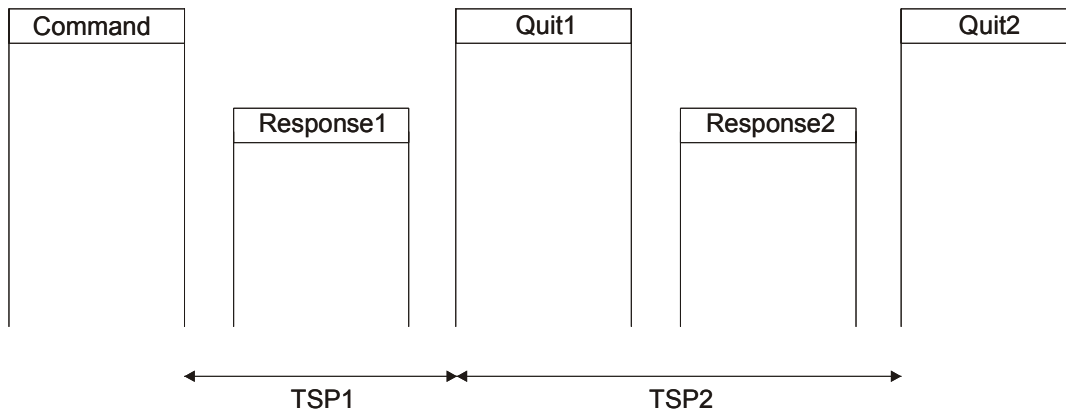
Example:

CoderRate = 0x05 (~52.97kHz)

For I•CODE1 standard mode the interval should be 8.458ms

->TimeSlotPeriod = CoderRate * interval = 52.97kHz * 8.458ms -1 = 447 (447 = 0x1BF)

Note: The MSB of the TimeSlotPeriod is in the MFOUSelect register.



	TimeSlotPeriod for TSP1	TimeSlotPeriod for TSP2
I•CODE1 Standard Mode	0xBF	0x1BF
I•CODE1 Fast Mode	0x5F	0x67

Note: It is strictly recommended that bit TxCRCEn is set to 0 before the Quit-Frame is sent. If the TxCRCEn is not set to 0 a CRC value is calculated and sent with the Quit-Frame. To calculate the Quit value a CRC8 algorithm has to be used.

9.3 Usage of the Timer Unit

9.3.1 TIME-OUT- AND WATCH-DOG-COUNTER

Having started the timer by setting *TReloadValue* the timer unit decrements the *TimerValue Register* beginning with a certain start event. If a certain stop event occurs e.g. a bit is received from the card, the timer unit stops (no interrupt is generated).

On the other hand, if no stop event occurs, e.g. the card does not answer in the expected time, the timer unit decrements down to zero and generates a timer interrupt request. This signals the μ-Processor that the expected event has not occurred in the given time T_{Timer} .

Multiple Protocol Contactless Reader IC

CL RC632

9.3.2 STOP WATCH

The time T_{Timer} between a certain start- and stop event may be measured by the μ -Processor by means of the CL RC632 timer unit. Setting $TReloadValue$ the timer starts to decrement. If the defined stop event occurs the timer stops. The time between start and stop can be calculated by

$$\Delta T = (TReload_{value} - Timer_{value}) * T_{Timer}$$

if the timer does not decrement down to zero.

9.3.3 PROGRAMMABLE ONE-SHOT TIMER

The μ -Processor starts the timer unit and waits for the timer interrupt. After the specified time T_{Timer} the interrupt will occur.

9.3.4 PERIODICAL TRIGGER

If the μ -Processor sets bit $TAutoRestart$, it will generate an interrupt request periodically after every T_{Timer} .

Multiple Protocol Contactless Reader IC

CL RC632

9.4 Register Overview Timer Unit

The following table shows the related flags of the Timer Unit in alphabetic order.

Flags	Register	Address
TautoRestart	TimerClock	0x2A, bit 5
TimerValue	TimerValue	0x0C, bits 7-0
TimerReloadValue	TimerReload	0x2C, bits 7-0
TpreScaler	TimerClock	0x2A, bits 4-0
Trunning	SecondaryStatus	0x05, bit 7
TstartNow	Control	0x09, bit 1
TstartTxBegin	TimerControl	0x2B, bit 0
TstartTxEnd	TimerControl	0x2B, bit 1
TstopNow	Control	0x09, bit 2
TstopRxBegin	TimerControl	0x2B, bit 2
TstopRxEnd	TimerControl	0x2B, bit 3

Table 9-1 Registers associated with the Timer Unit

Multiple Protocol Contactless Reader IC

CL RC632

10 POWER REDUCTION MODES

10.1 Hard Power Down

A Hard Power Down is enabled with HIGH on pin RSTPD. This turns off all internal current sinks including the oscillator. All digital input buffers are separated from the input pads and defined internally (except pin RSTPD itself). The output pins are frozen at a certain value. This is shown in the following table.

SYMBOL	PIN	TYPE	DESCRIPTION
OSCIN	1	I	Not separated from input, pulled to AVSS
IRQ	2	O	High impedance
MFIN	3	I	Separated from Input
MFOUT	4	O	LOW
TX1	5	O	HIGH, if TX1RFEn=1
			LOW, if TX1RFEn=0
TX2	7	O	HIGH, only if TX2RFEn=1 and TX2Inv=0
			LOW
NWR	9	I	Separated from Input
NRD	10	I	Separated from Input
NCS	11	I	Separated from Input
D0 to D7	13 to 20	I/O	Separated from Input
ALE	21	I	Separated from Input
A0	22	I/O	Separated from Input
A1	23	I	Separated from Input
A2	24	I	Separated from Input
AUX	27	O	High impedance
RX	29	I	Not changed
VMID	30	A	Pulled to AVDD
RSTPD	31	I	Not changed
OSCOUT	32	O	HIGH

Table 10-1: Signal on Pins during Hard Power Down

10.2 Soft Power Down

The Soft Power Down-mode is entered immediately by setting bit *PowerDown* in the *Control-Register*. All internal current sinks are switched off (including the oscillator buffer). In difference to the Hard Power Down-mode, the digital input-buffers are not separated by the input pads and keep their functionality. The digital output pins do not change their state. After resetting bit *PowerDown* in the *Control-Register* it needs 512 clocks until the Soft Power Down mode is left indicated by the *PowerDown* bit itself. Resetting it does not immediately clear it. It is cleared automatically by the CL RC632 when the Soft Power Down-Mode is left.

Note: If the internal oscillator is used, you have to take into account that it is supplied by AVDD and it will take a certain time t_{osc} until the oscillator is stable and the clock cycles can be detected by the internal logic.

Multiple Protocol Contactless Reader IC

CL RC632

10.3 Stand By Mode

The Stand By-mode is entered immediately by setting bit *StandBy* in the *Control-Register*. All internal current sinks are switched off (including the internal digital clock buffer but except the oscillator buffer).

Different from the Hard Power Down-Mode, the digital input-buffers are not separated by the input pads and keep their functionality. The digital output pins do not change their state.

Different from the Soft Power Down-Mode, the oscillator does not need time to wake up.

After resetting bit *StandBy* in the *Control-Register* it needs 4 clocks on pin OSCIN until the Stand By-Mode is left indicated by the *StandBy* bit itself. Resetting it does not immediately clear it. It is cleared automatically by the CL RC632 when the Stand By-Mode is left.

10.4 Receiver Power Down

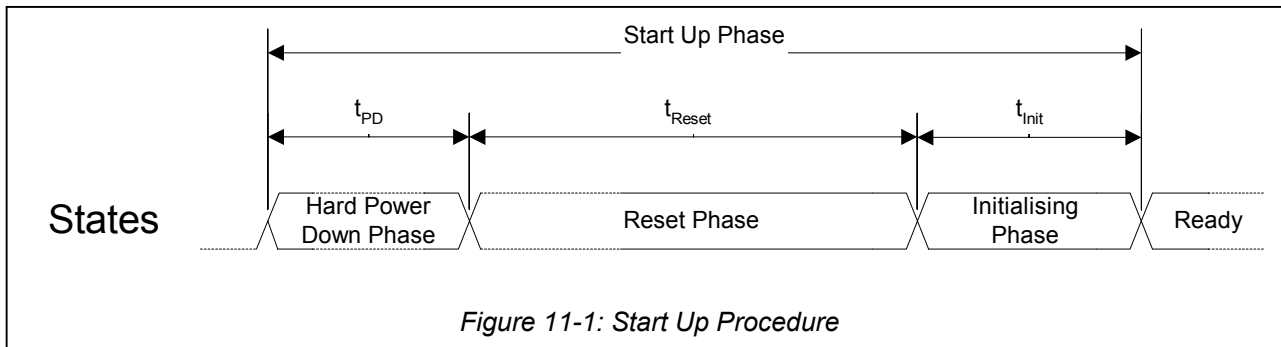
It is power saving to switch off the receiver circuit when it is not needed and switched it on again right before data is to be received from the card. This is done automatically by setting bit *RxAutoPD* to 1. If it is set to 0 the receiver is continuously switched on.

Multiple Protocol Contactless Reader IC

CL RC632

11 START UP PHASE

The phases executed during the start up are shown in the following figure.



11.1 Hard Power Down Phase

The Hard Power Down Phase is active during the following cases:

- Power On Reset caused by power up at pin DVDD (active while DVDD is below the digital reset threshold)
- Power On Reset caused by power up at pin AVDD (active while AVDD is below the analog reset threshold)
- A HIGH level on pin RSTPD (active while pin RSTPD is HIGH)

11.2 Reset Phase

The Reset Phase follows the Hard Power Down Phase automatically. One's the oscillator is running stable, it takes 512 clocks. During the Reset Phase, some of the register bits are pre-set by hardware. The respective reset values are given in the description of each register (see 5.2.).

Note: If the internal oscillator is used, you have to take into account that it is supplied by AVDD and that it will take a certain time t_{osc} until the oscillator is stable.

11.3 Initialising Phase

The Initialising Phase follows the Reset Phase automatically. It takes 128 clocks. During the Initialising Phase the content of the E²PROM blocks 1 and 2 is copied into the registers 10_{hex} to 2F_{hex}. (see 6.3)

Note: At production test, the CL RC632 is initialised with default configuration values. This reduces the μ -Processors effort for configuring the device to a minimum.

Multiple Protocol Contactless Reader IC

CL RC632

11.4 Initialising the Parallel Interface-Type

For the different connections for the different μ -Processor interface types (see 4.3), a certain initialising sequence shall be applied to enable a proper μ -Processor interface type detection and to synchronise the μ -Processor's and the CL RC632's Start Up.

During the whole Start Up Phase, the *Command* value reads as $3F_{\text{hex}}$. At the end of the Initialising Phase the CL RC632 enters the *Idle Command* automatically. Consequently the *Command* value changes to 00_{hex} .

To ensure proper detection of the μ -Processor interface, the following sequence shall be executed:

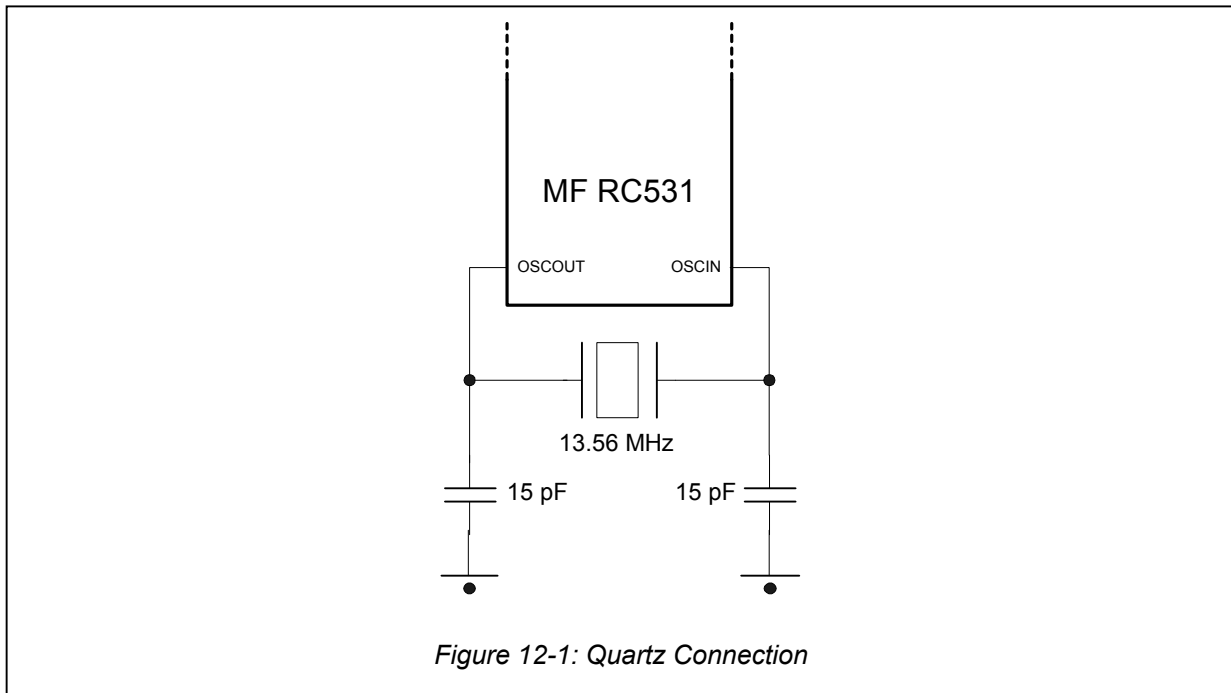
- Read from the *Command-Register* until the 6 bit register value for *Command* is 00_{hex} .
The internal initialisation phase is now completed and the CL RC632 is ready to be controlled.
- Write the value 80_{hex} to the *Page-Register* to initialise the μ -Processor interface.
- Read the *Command-Register*. If its value is 00_{hex} the μ -Processor interface initialisation was successful.

Having done the interface initialisation, the linear addressing mode can be activated by writing $0x00$ to the page register(s).

Multiple Protocol Contactless Reader IC

CL RC632

12 OSCILLATOR CIRCUITRY



The clock applied to the CL RC632 acts as time basis for the coder and decoder of the synchronous system. Therefore stability of the clock frequency is an important factor for proper performance. To obtain highest performance, clock jitter has to be as small as possible. This is best achieved by using the internal oscillator buffer with the recommended circuitry. If an external clock source is used, the clock signal has to be applied to pin OSCIN. In this case special care for clock duty cycle and clock jitter is needed and the clock quality has to be verified. It needs to be in accordance with the specifications in chapter 22.5.3.

Remark: We do not recommend to use an external clock source.

Multiple Protocol Contactless Reader IC

CL RC632

13 TRANSMITTER PINS TX1 AND TX2

The signal delivered on TX1 and TX2 is the 13.56 MHz energy carrier modulated by an envelope signal. It can be used to drive an antenna directly, using a few passive components for matching and filtering (see chapter 20). For that, the output circuitry is designed with a very low impedance source resistance. The signal of TX1 and TX2 can be controlled via the *TxControl Register*.

13.1 Configuration of TX1 and TX2

The configuration possibilities of TX1 are described in the table below:

Register Configuration in <i>TxControl</i>		Envelope	Signal on TX1
<i>TX1RFEn</i>	<i>FORCE100ASK</i>		
0	X	X	LOW (GND)
1	0	0	13.56 MHz carrier frequency modulated
		1	13.56 MHz carrier frequency
1	1	0	LOW
		1	13.56 MHz energy carrier

Table 13-1: Configurations of Pin TX1

The configuration possibilities of TX2 are described in the table below:

Register Configuration in <i>TxControl</i>				Envelope	Signal on TX2	
<i>TX2RFEn</i>	<i>FORCE100 ASK</i>	<i>TX2CW</i>	<i>InvTX2</i>			
0	X	X	X	X	LOW	
1	0	0	0	0	13.56 MHz carrier frequency modulated	
			1	1	13.56 MHz carrier frequency	
		1	0	0	13.56 MHz carrier frequency modulated, 180° phase shift relative to TX1	
			1	1	13.56 MHz carrier frequency, 180° phase shift relative to TX1	
	1	1	0	0	X	13.56 MHz carrier frequency
			1	1	X	13.56 MHz carrier frequency, 180° phase shift relative to TX1
		0	0	0	0	LOW
				1	1	13.56 MHz carrier frequency
			1	0	0	HIGH
				1	1	1
1	1	0	0	X	13.56 MHz carrier frequency	
		1	1	X	13.56 MHz carrier frequency, 180° phase shift relative to TX1	

Table 13-2: Configurations of Pin TX2

Multiple Protocol Contactless Reader IC

CL RC632

13.2 Operating Distance versus Power Consumption

The user has the possibility to find a trade-off between maximum achievable operating distance and power consumption using different antenna matching circuits by varying the supply voltage at the antenna driver supply pin TVDD. Different antenna matching circuits are described in the Application Note, *MIFARE® Design of MF RC500 Matching Circuit and Antennas*.

13.3 Antenna Driver Output Source Resistance

The output source conductance of TX1 and TX2 for driving a HIGH level may be adjusted via the value *GsCfgCW* in the *CwConductance Register* in the range from about 1 up to 100 Ohm. The output source conductance of Tx1 and TX2 during the modulation phase may be adjusted via the value *GsCfgMod* in the *ModConductance Register* in the same range. The values given are relative to the reference resistance $R_{s,rel}$, that is measured during production test and stored in the CL RC632 E²PROM. It can be obtained from the Product Information Field (see chapter 6.2). The electrical specification can be found in chapter 22.4.3.

Multiple Protocol Contactless Reader IC

CL RC632

13.3.1 SOURCE RESISTANCE TABLE

GsCfgCW, GsCfgMod [decimal]	EXP _{GsCfgCW} , EXP _{GsCfgMod} [decimal]	MANT _{GsCfgCW} , MANT _{GsCfgMod} [decimal]	Rs _{rel} [Ohm]	GsCfgCW, GsCfgMod [decimal]	EXP _{GsCfgCW} , EXP _{GsCfgMod} [decimal]	MANT _{GsCfgCW} , MANT _{GsCfgMod} [decimal]	Rs _{rel} [Ohm]
0	0	0	∞	24	1	8	0,0652
16	1	0	∞	25	1	9	0,0580
32	2	0	∞	37	2	5	0,0541
48	3	0	∞	26	1	10	0,0522
1	0	1	1,0000	27	1	11	0,0474
17	1	1	0,5217	51	3	3	0,0467
2	0	2	0,5000	38	2	6	0,0450
3	0	3	0,3333	28	1	12	0,0435
33	2	1	0,2703	29	1	13	0,0401
18	1	2	0,2609	39	2	7	0,0386
4	0	4	0,2500	30	1	14	0,0373
5	0	5	0,2000	52	3	4	0,0350
19	1	3	0,1739	31	1	15	0,0348
6	0	6	0,1667	40	2	8	0,0338
7	0	7	0,1429	41	2	9	0,0300
49	3	1	0,1402	53	3	5	0,0280
34	2	2	0,1351	42	2	10	0,0270
20	1	4	0,1304	43	2	11	0,0246
8	0	8	0,1250	54	3	6	0,0234
9	0	9	0,1111	44	2	12	0,0225
21	1	5	0,1043	45	2	13	0,0208
10	0	10	0,1000	55	3	7	0,0200
11	0	11	0,0909	46	2	14	0,0193
35	2	3	0,0901	47	2	15	0,0180
22	1	6	0,0870	56	3	8	0,0175
12	0	12	0,0833	57	3	9	0,0156
13	0	13	0,0769	58	3	10	0,0140
23	1	7	0,0745	59	3	11	0,0127
14	0	14	0,0714	60	3	12	0,0117
50	3	2	0,0701	61	3	13	0,0108
36	2	4	0,0676	62	3	14	0,0100
15	0	15	0,0667	63	3	15	0,0093

Table 13-3: Source Resistance of n-Channel Driver Transistor of TX1 and TX2 vs. GsConfCW or GsCfgMod

Multiple Protocol Contactless Reader IC

CL RC632

13.3.2 FORMULA FOR THE SOURCE RESISTANCE

The relative resistance $R_{s_{rel}}$ can be calculated by

$$R_{s_{rel}} = \frac{1}{MANT_{GsCfgCW} \cdot \left(\frac{77}{40}\right)^{EXP_{GsCfgCW}}}$$

The relative resistance $R_{s_{rel}}$ during the modulation phase can be calculated using $GsCfgMod$, respectively.

13.3.3 CALCULATING THE EFFECTIVE SOURCE RESISTANCE

13.3.3.1 Wiring Resistance

Wiring and bonding add a constant offset to the driver resistance, that is relevant if TX1 and TX2 are switched to low impedance. The additional resistance for TX1 can be set approximately to

$$R_{s_{wire,TX1}} \approx 500m\Omega$$

13.3.3.2 Effective Resistance

The source resistances of the driver transistors $R_{s_{MaxP}}$ found in the Product Information Field (see chapter 6.2) are measured at production test with $GsCfgCW$ set to 01_{hex} . To get the driver resistance for a specific value set in $GsCfgMod$ the following formula may be used:

$$R_{s_x} = (R_{s_{ref,max,p}} - R_{s_{wire,TX1}}) \cdot R_{s_{rel}} + R_{s_{wire,TX1}}$$

Multiple Protocol Contactless Reader IC**CL RC632**

13.4 Pulse Width

The envelope carries the information of the data signal that shall be transmitted to the card done by coding the data signal according to the Miller code. Furthermore, each pause of the Miller coded signal again is coded as a pulse of certain length. The width of this pulse can be adjusted by means of the *ModWidth Register*. The pulse length is calculated by

$$T_{Pulse} = 2 \frac{ModWidth + 1}{f_c}$$

where $f_c = 13.56\text{MHz}$.

Multiple Protocol Contactless Reader IC

CL RC632

14 RECEIVER CIRCUITRY

14.1 General

The CL RC632 employs an integrated quadrature-demodulation circuit giving the possibility to detect an ISO 14443 compliant subcarrier signal applied to pin RX. The ISO14443-A sub-carrier signal is defined as a Manchester coded ASK-modulated signal. The ISO14443-B sub-carrier signal is defined as an NRZ-L coded BPSK modulated ISO14443-B sub-carrier signal.

The quadrature-demodulator uses two different clocks, Q- and I-clock, with a phase shift of 90° between them. Both resulting sub-carrier signals are amplified, filtered and forwarded to a correlation circuitry. The correlation results are evaluated, digitised and passed to the digital circuitry.

For all processing units various adjustments can be made to obtain optimum performance.

14.2 Block Diagram

Figure 14-1 shows the block diagram of the receiver circuitry. The receiving process includes several steps. First the quadrature demodulation of the carrier signal of 13.56 MHz is done. To achieve an optimum in performance an automatic clock Q calibration is recommended (see 14.3.1). The demodulated signal is amplified by an adjustable amplifier. A correlation circuit calculates the degree of similarity between the expected and the received signal. The bit phase register allows aligning the position of the correlation intervals with the bit grid of the received signal. In the evaluation and digitizer circuitry the valid bits are detected and the digital results are send to the FIFO register. Several tuning steps in this circuit are possible.

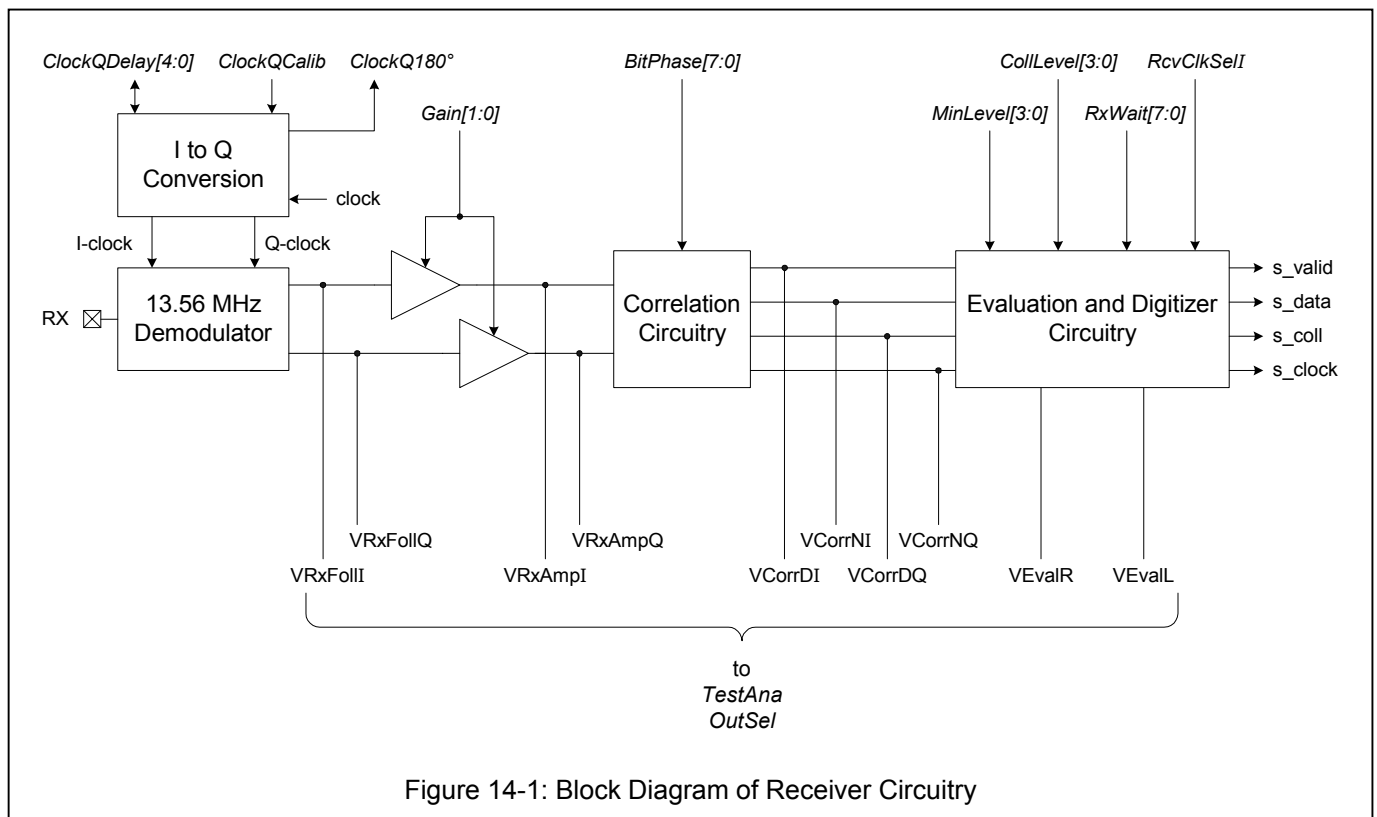


Figure 14-1: Block Diagram of Receiver Circuitry

The user may observe the signal on its way through the receiver as shown in the block diagram above. One signal at a time may be routed to pin AUX using the *TestAnaSelect-Register* as described in 21.3.

Multiple Protocol Contactless Reader IC

CL RC632

14.3 Putting the Receiver into Operation

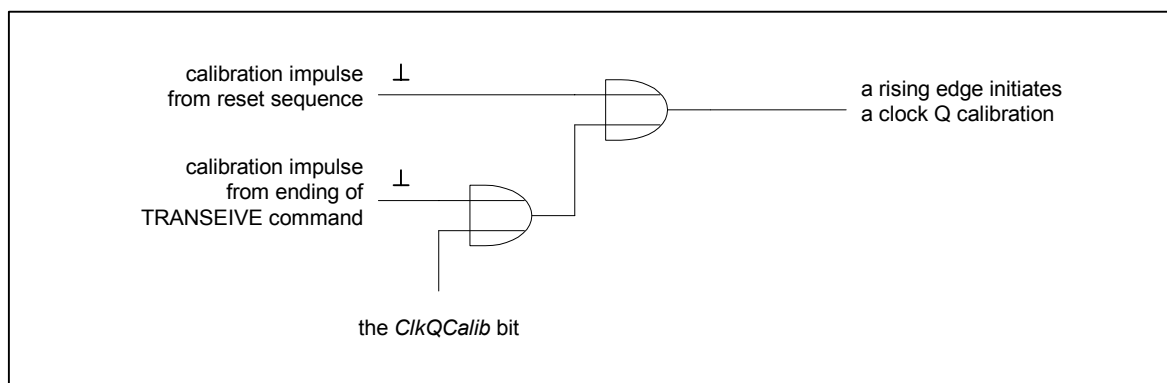
In general, the default settings programmed in the Start Up Initialisation File are suitable to use the CL RC632 for data communication with MIFARE® cards. However, in some environments specific user settings may achieve better performance.

14.3.1 AUTOMATIC CLOCK-Q CALIBRATION

The quadrature demodulation concept of the receiver generates a phase signal I-clock and a 90°-shifted quadrature signal Q-clock. To achieve an optimum demodulator performance, the Q- and the I-clock have to have a difference in phase of 90°. After the reset phase of the CL RC632, a calibration procedure is done automatically. It is possible to have an automatic calibration done at the ending of each Transceive command. To do so, the *ClkQCalib* bit has to be configured to a value of 0. Configuring this bit to a constant value of 1 disables all automatic calibrations except the one after the reset sequence.

It is also possible to initiate one automatic calibration by software. This is done with a 0 to 1 transition of bit *ClkQCalib*.

The details:



Note: The duration of the automatic clock Q calibration takes 65 oscillator periods which is approx. 4,8µs.

The value of *ClkQDelay* is proportional to the phase shift between the Q- and the I-clock. The status flag *ClkQ180Deg* shows, that the phase shift between the Q- and the I-clock is greater than 180°.

Notes:

- The start-up configuration file enables an automatically Q-clock calibration after the reset.
- While *ClkQCalib* is 1, no automatic calibration is done. Therefore leaving this bit 1 can be used to permanently disable the automatic calibration.
- It is possible to write data to *ClkQDelay* via the µ-Processor. The aim could be a disabling of the automatic calibration and to pre-set the delay by software. But notice, that configuring the delay value by software requires that bit *ClkQCalib* has already been set to 1 before and that a time interval of at least 4.8µs has elapsed since then. Each delay value must be written with the *ClkQCalib* bit set to 1. If *ClkQCalib* is 0 the configured delay value will be overwritten by the next interval automatic calibration.

Multiple Protocol Contactless Reader IC**CL RC632**

14.3.2 AMPLIFIER

The demodulated signal has to be amplified with the variable amplifier to achieve the best performance. The gain of the amplifiers can be adjusted by means of the register bits *Gain [1:0]*. The following gain factors are selectable:

Register Setting	Gain Factor [dB] (Simulation Results)
0	20
1	24
2	31
3	35

Table 14-1: Gain Factors for the Internal Amplifier

Multiple Protocol Contactless Reader IC

CL RC632

14.3.3 CORRELATION CIRCUITRY

The correlation circuitry calculates the degree of matching between the received and an expected signal. The output is a measure for the amplitude of the expected signal in the received signal. This is done for both, the Q- and the I-channel. The correlator delivers two outputs for each of the two input channels, resulting in four output signals in total.

For optimum performance, the correlation circuitry needs the phase information for the signal coming from the card. This information has to be defined by the μ -Processor by means of the register *BitPhase* [7:0]. This value defines the phase relation between the transmitter and receiver clock in multiples of $t_{\text{BitPhase}} = 1/13.56$ MHz.

14.3.4 EVALUATION AND DIGITIZER CIRCUITRY

For each bit-half of the Manchester coded signal the correlation results are evaluated. The evaluation and digitizer circuit decides from the signal strengths of both bit-halves, whether the current bit is valid, and, if it is valid, the value of the bit itself or whether the current bit-interval contains a collision.

To do this in an optimum way, the user may select the following levels:

- *MinLevel*: Defines the minimum signal strength of the stronger bit-half's signal for being considered valid.
- *CollLevel*: Defines the minimum signal strength that has to be exceeded by the weaker half-bit of the Manchester-coded signal to generate a bit-collision. If the signal's strength is below this value, a 1 and 0 can be determined unequivocally.
CollLevel defines the minimum signal strength relative to the amplitude of the stronger half-bit.

After transmission of data, the card is not allowed to send its response before a certain time period, called frame guard time in the standard ISO14443. The length of this time period after transmission shall be set in the *RxWait-Register*. The *RxWait-Register* defines when the receiver is switched on after data transmission to the card in multiples of one bit-duration.

If register bit *RcvClkSelI* is set to 1, the I-clock is used to clock the correlator and evaluation circuits. If set to 0, the Q-clock is used.

Note: It is recommended to use the Q-clock.

Multiple Protocol Contactless Reader IC

CL RC632

15 SERIAL SIGNAL SWITCH

15.1 General

Two main blocks are implemented in the CL RC632. A digital circuitry, comprising state machines, coder and decoder logic and so on and an analog circuitry with the modulator and antenna drivers, receiver and amplification circuitry. The interface between these two blocks can be configured in the way, that the interfacing signals may be routed to the pins MFIN and MFOUT.

This topology supports, that the analog part of the one CL RC632 may be connected to the digital part of another device.

The serial signal switch can be used to measure MIFARE® and ISO14443 as well I²CODE1 and ISO15693 related signals.

Note: The MFIN pin can only be accessed by 106 kbaud according to ISO14443A . The Manchester with Subcarrier- and the Manchester signal can only be accessed at the MFOUT pin at 106 kbaud according to ISO14443A.

15.2 Block Diagram

Figure 15-1 describes the serial signal switches. Three different switches are implemented in the serial signal switch in order to use the CL RC632 in different configurations.

The serial signal switch may also be used during the design In phase or for test purposes to check the transmitted and received data. Chapter 21.2 describes analog test signals as well as measurements at the signal switch.

Note: The SL RC400 uses the name SIGOUT for the MFOUT pin. The CLRC 632 functionality includes the

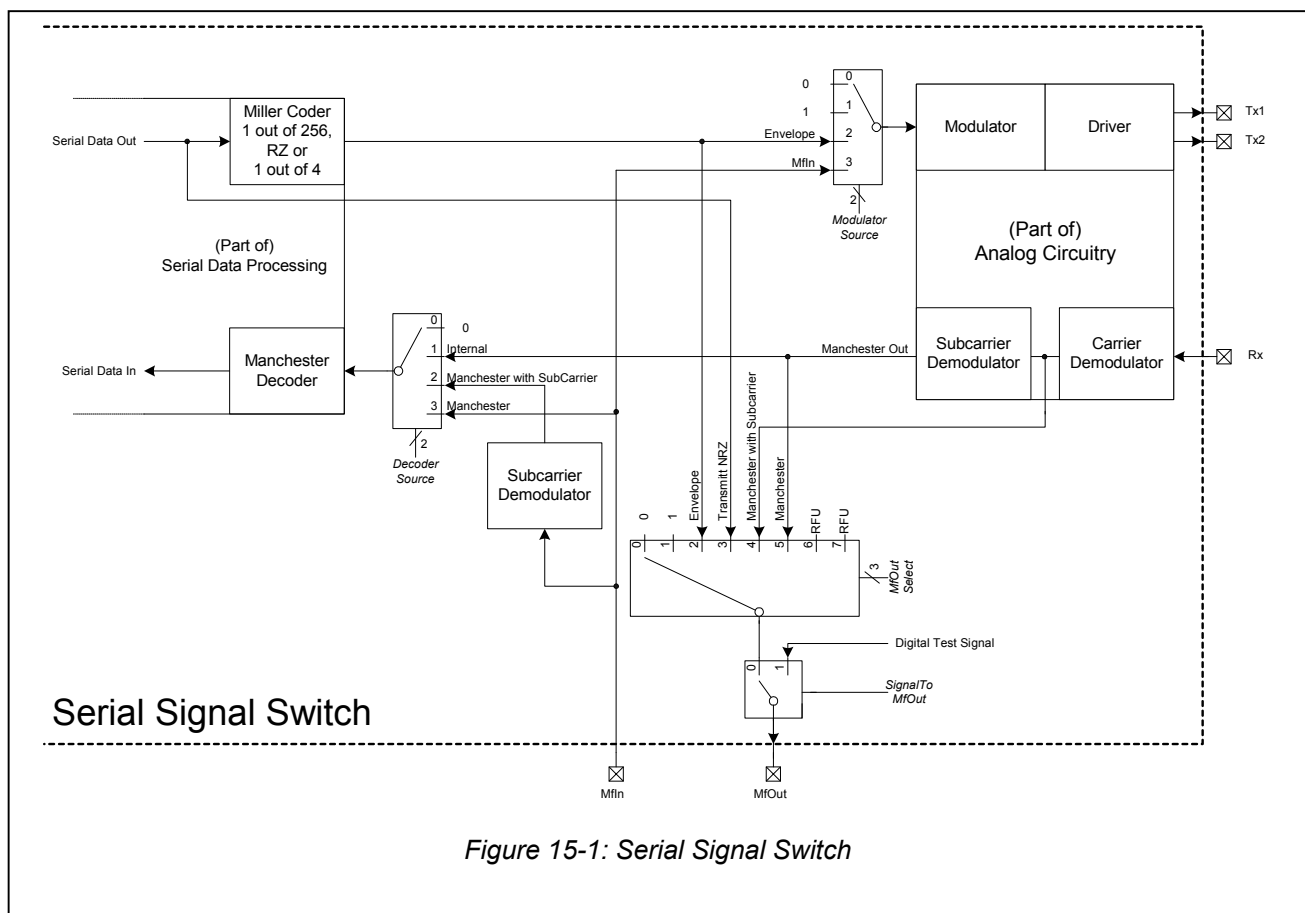


Figure 15-1: Serial Signal Switch

Multiple Protocol Contactless Reader IC

CL RC632

test possibilities for the SL RC 400 using the pin MFOUT.

The following chapters describe the relevant registers used to configure and control the serial signal switch.

15.3 Registers Relevant for the Serial Signal Switch

The flags *DecoderSource* define the input signal for the internal Manchester decoder in the following way:

<i>DecoderSource</i>	Input Signal for Decoder
0	Constant 0
1	Output of the analog part. This is the default configuration.
2	Direct connection to MFIN, expecting an 847.5 kHz sub-carrier signal modulated by a Manchester coded signal.
3	Direct connection to MFIN, expecting a Manchester coded signal.

Table 15-1: Values for *DecoderSource*

ModulatorSource defines the signal that modulates the transmitted 13.56 MHz energy carrier. The modulated signal drives the pins TX1 and TX2.

<i>ModulatorSource</i>	Input Signal for Modulator
0	Constant 0 (energy carrier off at pin TX1 and TX2).
1	Constant 1 (continuous energy carrier delivered at pin TX1 and TX2).
2	Modulation signal (envelope) from the internal coder. This is the default configuration.
3	Direct connection to MFIN, expecting a Miller pulse coded signal.

Table 15-2: Values for *ModulatorSource*

MFOUTSelect selects the output signal, which is routed to the pin MFOUT.

<i>MFOUTSelect</i>	Signal Routed to Pin MFOUT
0	Constant Low
1	Constant High
2	Modulation signal (envelope) from the internal coder.
3	Serial data stream that is to be transmitted (same as for <i>MFOUTSelect</i> = 2, but not coded by the selected pulse coder yet).
4	Output signal of the receiver circuit (card modulation signal regenerated and delayed)
5	Output signal of the subcarrier demodulator (Manchester-coded card signal)
6	RFU
7	RFU

Table 15-3: Values for *MFOUTSelect*

To use *MFOUTSelect*, the value of test signal control bit *SignalToMFOUT* has to be 0.

Multiple Protocol Contactless Reader IC

CL RC632

MIFARE® : Usage of the MFIN and MFOUT

15.3.1 ACTIVE ANTENNA CONCEPT

The CL RC632 analog circuitry may be used via the pins MFIN and MFOUT. To do so, the following register settings have to be made:

Register	Value	Signal	At CL RC632 Pin
ModulatorSource	3	Miller Pulse Coded	MFIN
MFOUTSelect	4	Manchester Coded with sub-carrier	MFOUT
DecoderSource	X	-	-

Table 15-4: Register setting to use the CL RC632 analog circuitry only

On the other hand, the CL RC632 digital circuitry may be used via the pins MFIN and MFOUT. To do so, the following register settings have to be made:

Register	Value	Signal	At CL RC632 Pin
ModulatorSource	X	-	-
MFOUTSelect	2	Miller Pulse Coded	MFOUT
DecoderSource	2	Manchester Coded with sub-carrier	MFIN

Table 15-5: Register setting to use the CL RC632 digital circuitry only

Two CL RC632 devices configured in the above described way may be connected to each other via the pins MFOUT and MFIN.

Note: The usage of the active antenna concept is only possible with a baudrate of 106kbaud according to ISO14443A.

15.3.2 DRIVING TWO RF-PARTS

It is possible, to connect a 'passive antenna' to pins TX1, TX2 and RX (via the appropriate filter and matching circuit) and at the same time an Active Antenna to the pins MFOUT and MFIN.

In this configuration, two RF-parts may be driven (one after another) by one μ -Processor.

Multiple Protocol Contactless Reader IC

CL RC632

16 MIFARE® HIGHER BAUDRATES

The MIFARE® Classic system is specified with a fix Baud-rate of 106 kBaud for the communication on the RF interface. ISO 14443 in the existing version also defines 106 kBaud at least for the initial phase of a communication between PICC and PCD.

To speed up the communication between a terminal and a card to cover requirements for large data transmission the CL RC632 supports the MIFARE® higher baudrates communication in combination with e.g. a μ Controller IC like the MIFARE® ProX.

Communication direction	Baudrates [kbaud]
CL RC632 based PCD \rightarrow μ C PICC supporting higher baudrates	106, 212, 424
μ C PICC supporting higher baudrates \rightarrow CL RC632 based PCD	106, 212, 424

Table 16-1 MIFARE® Higher Baudrates

The MIFARE® Higher Baudrates' concept will be described in the Application Note: '*MIFARE® Implementation of Higher Baudrates*'. This Application Note will cover also the integration a MIFARE® Higher Baudrates communication concept in current applications.

Multiple Protocol Contactless Reader IC

CL RC632

17 ISO14443 B

The international standard ISO14443 standard covers 2 communication schemes: the ISO14443-A and the ISO14443-B.

The CL RC632 reader IC fully supports the ISO14443.

The following registers and flags cover the ISO 14443B communication scheme:

Flags	Register	Address
CharSpacing	TypeBFraming	0x17, bits 4-3
CoderRate	CoderControl	0x14, bits 5-3
EOFWidth	TypeBFraming	0x17, bit 5
FilterAmpDet	BPSKDemControl	0x1D, bit 4
Force100ASK	TxControl	0x11, bit 4
GSCfgCW	CWConductance	0x12, bits 5-0
GSCfgMod	ModConductance	0x13, bits 5-0
MinLevel	RxTreshhold	0x1C, bits 7-4
NoTxEOF	TypeBFraming	0x17, bit 6
NoTxSOF	TypeBFraming	0x17, bit 7
NoRxEGT	BPSKDemControl	0x1D, bit 6
NoRxEOF	BPSKDemControl	0x1D, bit 5
NoRxSOF	BPSKDemControl	0x1D, bit 7
RxCoding	DecoderControl	0x1A, bit 0
RxFraming	DecoderControl	0x1A, bits 4-3
SOFWidth	TypeBFraming	0x17, bits 1-0
SubCPulses	RxControl1	0x19, bits 7-5
TauB	BPSKDemControl	0x1D, bits 1-0
TauD	BPSKDemControl	0x1D, bits 3-2
TxCoding	CoderControl	0x14, bits 2-0

Table 17-1 Registers associated with ISO14443-B

As a reference documentation the international standard *ISO14443 'Identification cards- Contactless integrated circuit(s) cards- Proximity cards, part 1-4'* can be taken.

Note: Philips Semiconductors does not offer a basic function library to design in the ISO14443 B protocol.

Multiple Protocol Contactless Reader IC

CL RC632

18 CL RC632 COMMAND SET

18.1 General Description

The CL RC632 behaviour is determined by an internal state machine capable to perform a certain set of commands. The commands can be started by writing the according command-code to the *Command-Register*.

Arguments and/or data necessary to process a command are mainly exchanged via the FIFO buffer.

18.2 General Behaviour

- Each command, that needs a data stream (or data byte stream) as input will immediately process the data it finds in the FIFO buffer.
- Each command that needs a certain number of arguments will start processing only when it has received the correct number of arguments via the FIFO buffer.
- The FIFO buffer is not cleared automatically at command start. Therefore, it is also possible to write the command arguments and/or the data bytes into the FIFO buffer and start the command afterwards.
- Each command (except the *StartUp-Command*) may be interrupted by the μ -Processor by writing a new command code into the *Command-Register* e.g.: the *Idle-Command*.

18.3 CL RC632 Commands Overview

Command	Code	Action	Arguments and Data passed via FIFO	Returned Data via FIFO	see Chapter
StartUp	3F _{hex}	Runs the Reset- and Initialisation Phase. <u>Note:</u> This command can not be activated by software, but only by a Power-On or Hard Reset	-	-	18.3.2
Idle	00 _{hex}	No action; cancels current command execution.	-	-	18.3.3
Transmit	1A _{hex}	Transmits data from the FIFO buffer to the card.	Data Stream	-	18.4.1
Receive	16 _{hex}	Activates receiver circuitry. <u>Note:</u> Before the receiver actually starts, the state machine waits until the time configured in the register <i>RxWait</i> has passed. <u>Note:</u> This command may be used for test purposes only, since there is no timing relation to the <i>Transmit-Command</i> .	-	Data Stream	18.4.2

Multiple Protocol Contactless Reader IC

CL RC632

CL RC632 Commands Overview Continued

Command	Code	Action	Arguments and Data passed via FIFO	Returned Data via FIFO	see Chapter
Transceive	1E _{hex}	Transmits data from FIFO buffer to the card and activates automatically the receiver after transmission. <u>Note:</u> Before the receiver actually starts, the CL RC632 waits until the time configured in the register <i>RxWait</i> has passed. <u>Note:</u> This command is the combination of Transmit and Receive	Data Stream	Data Stream	18.4.3
WriteE2	01 _{hex}	Gets data from FIFO buffer and writes it to the internal E ² PROM.	Start Address LSB Start Address MSB Data Byte Stream	-	18.6.1
ReadE2	03 _{hex}	Reads data from the internal E ² PROM and puts it into the FIFO buffer. <u>Note:</u> Keys cannot be read back	Start Address LSB Start Address MSB Number of Data Bytes	Data Bytes	18.6.2
LoadKeyE2	0B _{hex}	Copies a key from the E ² PROM into the key buffer. <u>Note:</u> related to MIFARE® Classic Security	Start Address LSB Start Address MSB	-	18.9.1
LoadKey	19 _{hex}	Reads a key from the FIFO buffer and puts it into the key buffer. <u>Note:</u> The key has to be prepared in a specific format (refer to 6.4.1, key format) <u>Note:</u> related to MIFARE® Classic Security	Byte0 (LSB) Byte1 ... Byte 10 Byte11 (MSB)	-	18.9.2
Authent1	0C _{hex}	Performs the first part of the Crypto1 card authentication. <u>Note:</u> related to MIFARE® Classic Security	Card's Auth-Command Card's Block Address Card's Serial Number LSB Card's Serial Number Byte1 Card's Serial Number Byte2 Card's Serial Number MSB	-	18.9.3
Authent2	14 _{hex}	Performs the second part of the card authentication using the Crypto1 algorithm. <u>Note:</u> related to MIFARE® Classic Security	-	-	18.9.4
LoadConfig	07 _{hex}	Reads data from E ² PROM and initialises the CL RC632 registers.	Start Address LSB Start Address MSB	-	18.7.1
CalcCRC	12 _{hex}	Activates the CRC-Coprocessor. <u>Note:</u> The result of the CRC calculation can be read from the registers <i>CRCResultLSB</i> and <i>CRCResultMSB</i>	Data Byte-Stream	-	18.7.2

Table 18-1: CL RC632 Command Overview

Multiple Protocol Contactless Reader IC

CL RC632

18.3.1 BASIC STATES

18.3.2 STARTUP COMMAND 3F_{HEX}

Command	Code _{hex}	Action	Arguments and Data	Returned Data
StartUp	3F	Runs the Reset- and Initialisation Phase <u>Note:</u> This command can not be activated by software, but only by a Power-On or Hard Reset	-	-

The *StartUp-Command* runs the Reset- and Initialisation Phase. It does not need or return any data. It can not be activated by the μ -Processor but is started automatically after one of the following events:

- Power On Reset caused by power up at Pin DVDD
- Power On Reset caused by power up at Pin AVDD
- Negative Edge at Pin RSTPD

The Reset-Phase defines certain register bits by an asynchronous reset. The Initialisation-Phase defines certain registers with values taken from the E²PROM.

When the *StartUp-Command* has finished, the *Idle-Command* is entered automatically.

Notes:

- The μ -Processor must not write to the CL RC632 as long as the CL RC632 is busy executing the *StartUp-Command*. To ensure this, the μ -Processor shall poll for the *Idle-Command* to determine the end of the Initialisation Phase (see also chapter 11.4).
- As long as the *StartUp-Command* is active, only reading from page 0 of the CL RC632 is possible.
- The *StartUp-Command* can not be interrupted by the μ -Processor.

18.3.3 IDLE COMMAND 00_{HEX}

Command	Code _{hex}	Action	Arguments and Data	Returned Data
Idle	00	No action, cancels current command execution	-	-

The *Idle-Command* switches the CL RC632 to its inactive state. In this Idle-state it waits for the next command. It does not need or return any data. The device automatically enters the Idle-state when a command finishes. In this case the CL RC632 simultaneously initiates an interrupt request by setting bit *IdleIRq*. Triggered by the μ -Processor, the *Idle-Command* may be used to stop execution of all other commands (except the *StartUp Command*). In that case no *IdleIRq* is generated.

Remark: Stopping a command with the *Idle Command* does not clear the FIFO buffer content.

Multiple Protocol Contactless Reader IC

CL RC632

18.4 Commands for ISO14443 A Card Communication

The CL RC632 is a fully ISO 14443 and ISO15693 and I²CODE1 compliant reader IC. Therefore, the command set of this IC allows more flexibility and more generalised commands compared to MIFARE[®] or I²CODE1 dedicated reader ICs. The following chapter describes the command set for card communication for ISO14443 A related communication schemes.

18.4.1 TRANSMIT COMMAND 1A_{HEX}

Command	Code _{hex}	Action	Arguments and Data	Returned Data
Transmit	1A	Transmits data from FIFO buffer to the card	Data Stream	-

The *Transmit-Command* takes data from the FIFO buffer and forwards it to the transmitter. It does not return any data. The *Transmit-Command* can only be started by the μ -Processor.

18.4.1.1 Working with the Transmit Command

To transmit data one of the following sequences may be used:

1. All data, that shall be transmitted to the card is written to the FIFO while the *Idle-Command* is active. After that, the command code for the *Transmit-Command* is written to the *Command-Register*.
Note: This is possible for transmission of data with a length of up to 64 bytes.
2. The command code for the *Transmit-Command* is written to the *Command-Register* first. Since no data is available in the FIFO, the command is only enabled but transmission is not triggered yet. Data transmission really starts with the first data byte written to the FIFO. To generate a continuous data stream on the RF-interface, the μ -Processor has to put the next data bytes to the FIFO in time.
Note: This allows transmission of data of any length but requires that data is available in the FIFO in time.
3. A part of the data, that shall be transmitted to the card is written to the FIFO while the *Idle-Command* is active. After that, the command code for the *Transmit-Command* is written to the *Command-Register*. While the *Transmit-Command* is active, the μ -Processor may feed further data to the FIFO, causing the transmitter to append it to the transmitted data stream.
Note: This enables transmission of data of any length but requires that data is available in the FIFO in time.

When the transmitter requests the next data byte to keep the data stream on the RF-interface continuous but the FIFO buffer is empty, the *Transmit-Command* automatically terminates. This causes the internal state machine to change its state from Transmit to Idle.

If data transmission to the card is finished, the CL RC632 sets the flag *TxIRq* to signal it to the μ -Processor.

Remark: If the μ -Processor overwrites the transmit code in the *Command-Register* with the *Idle-Command* or any other command, transmission stops immediately with the next clock cycle. This may produce output signals that are not according to ISO14443-A.

18.4.1.2 RF-Channel Redundancy and Framing

Each transmitted ISO14443 frame consists of a SOF (start of frame) pattern, followed by the data stream and is closed by an EOF (end of frame) pattern. These different phases of the transmit sequence may be monitored by watching *ModemState* of *PrimaryStatus-Register* (see 18.4.4).

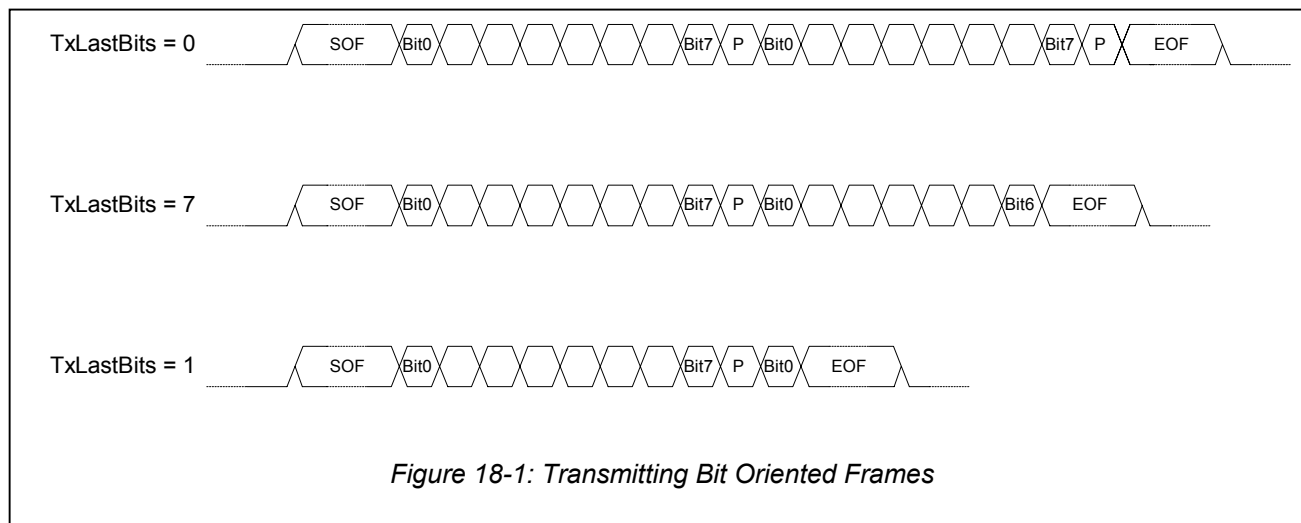
Multiple Protocol Contactless Reader IC

CL RC632

Depending on the setting of bit *TxCRCEn* in the *ChannelRedundancy-Register* a CRC is calculated and appended to the data stream. The CRC is calculated according the settings in the *ChannelRedundancy Register*. Parity generation is handled according the settings in the *ChannelRedundancy-Register* (bits *ParityEn* and *ParityOdd*).

18.4.1.3 Transmission of Bit Oriented Frames

The transmitter may be configured to send an incomplete last byte. To achieve this *TxLastBits* has to be set to a value unequal zero. This is shown in the figure below.



The figure shows the data stream if *ParityEn* is set in *ChannelRedundancy-Register*. All fully transmitted bytes are followed by a parity check bit, but the incomplete byte is not followed by a parity check bit. After transmission, *TxLastBits* is cleared automatically.

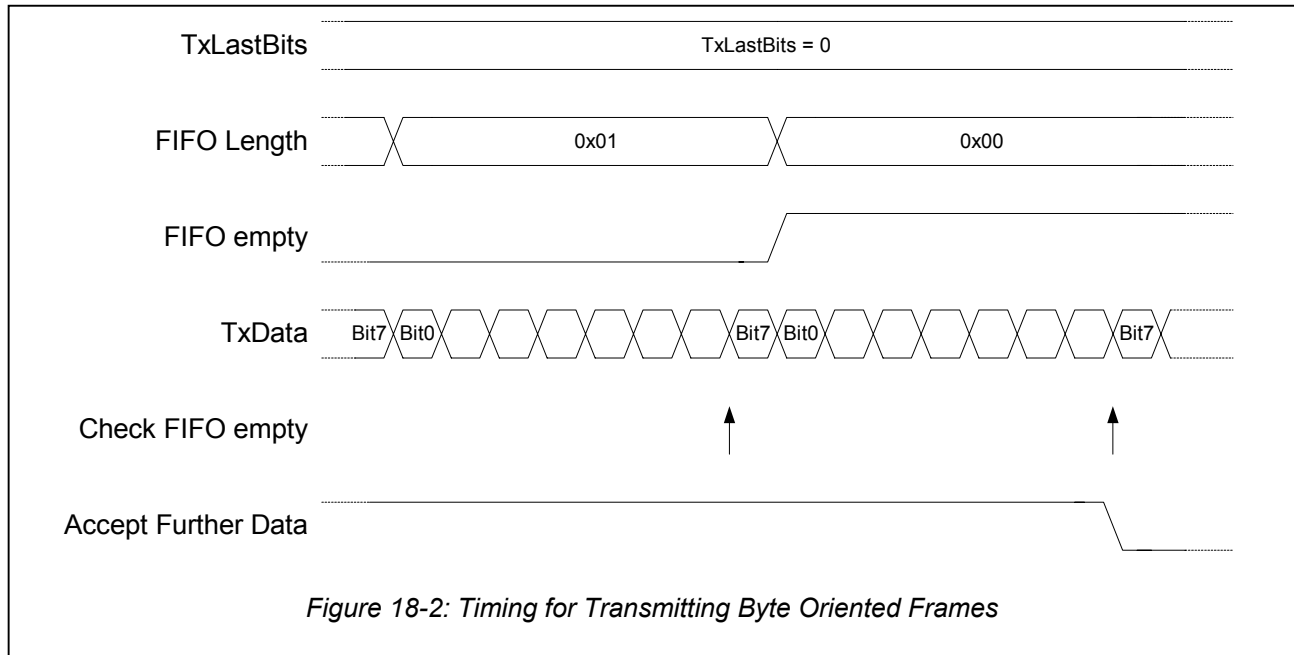
Note: If *TxLastBits* is not equal to zero CRC generation has to be disabled. This is done by clearing the bit *TxCRCEn* in the *ChannelRedundancy Register*.

Multiple Protocol Contactless Reader IC

CL RC632

18.4.1.4 Transmission of Frames with more than 64 Bytes

To generate frames with more than 64 bytes, the μ -Processor has to write data into the FIFO buffer while the *Transmit Command* is active. The state machine checks the FIFO status when it starts transmitting the last bit of the actual data stream (the check time is marked below with arrows).



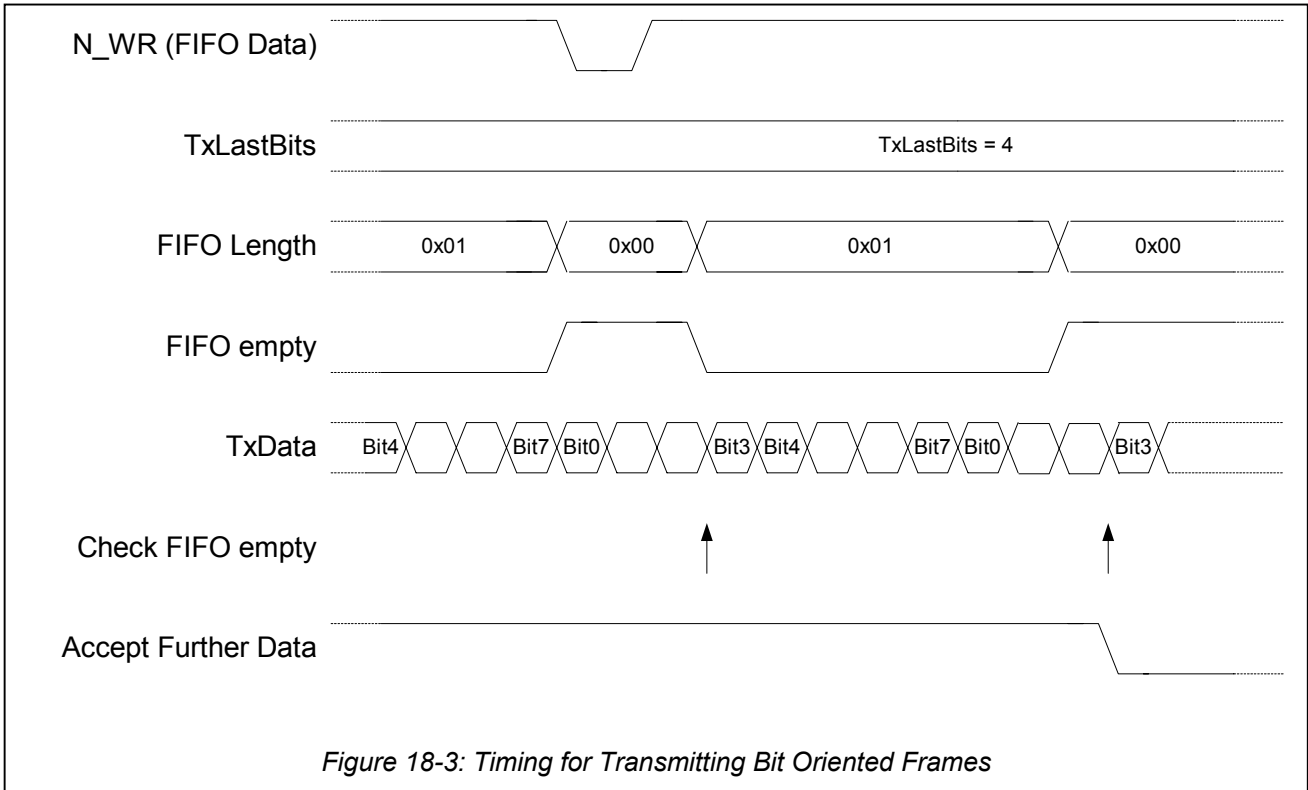
As long as the internal signal 'Accept Further Data' is 1 further data may be loaded to the FIFO. The CL RC632 appends this data to the data stream transmitted via the RF-interface. If the internal signal 'Accept Further Data' is 0 the transmission will terminate. All data written into the FIFO buffer after 'Accept Further Data' went 0 will not be transmitted anymore, but remain in the FIFO buffer.

Remark: If parity generation is enabled (*ParityEn* bit is 1) the parity bit is the last bit to be transmitted. This delays the signal 'Accept Further Data' for one bit duration.

Multiple Protocol Contactless Reader IC

CL RC632

If *TxLastBits* is unequal zero the last byte is not transmitted completely, but only the number of bits set in *TxLastBits* are transmitted (starting with the least significant bit). Thus, the internal state machine has to check the FIFO status at an earlier point in time (shown in the figure below).



Since *TxLastBits* = 4 in this example, transmission stops after Bit 3 is transmitted. If configured, the frame is completed with an EOF.

The figure above also shows a write access to the *FIFOData Register* right before the FIFO's status is checked. This leads to 'FIFO empty' going to 0 again and therefore 'Accept Further Data' stays active. The new byte written is transmitted via the RF-interface.

'Accept Further Data' is changed only by the 'Check FIFO empty' function. This function verifies 'FIFO empty' one bit duration before the last expected bit transmission.

Frame Definition	Verification at:
8 Bit with Parity	8 th Bit
8 Bit without Parity	7 th Bit
x Bit without Parity	(x-1) th Bit

Multiple Protocol Contactless Reader IC

CL RC632

18.4.2 RECEIVE COMMAND 16_{HEX}

Command	Code _{hex}	Action	Arguments and Data	Returned Data
Receive	16	Activates Receiver Circuitry	-	Data Stream

The *Receive-Command* activates the receiver circuitry. All data received from the RF interface is returned via the FIFO buffer. The *Receive-Command* can be started either by the μ -Processor or automatically during execution of the *Transceive-Command*.

Note: This command may be used for test purposes only, since there is no timing relation to the *Transmit-Command*.

18.4.2.1 Working with the Receive Command

After starting the *Receive Command* the internal state machine decrements the value set in the *RxWait-Register* with every bit-clock. From 3 down to 1 the analog receiver circuitry is prepared and activated. When the counter reaches 0, the receiver starts monitoring the incoming signal at the RF-interface. If the signal strength reaches a level higher than the value set in the *MinLevel-Register* it finally starts decoding. The decoder stops, if no more signal can be detected on the receiver input pin Rx. The decoder indicates termination of operation by setting bit *RxIRq*.

The different phases of the receive sequence may be monitored by watching *ModemState* of the *PrimaryStatus-Register* (see 18.4.4).

Note: Since the counter values from 3 to 0 are necessary to initialise the analog receiver circuitry the minimum value for *RxWait* is 3.

18.4.2.2 RF-Channel Redundancy and Framing

The decoder expects a SOF pattern at the beginning of each data stream. If a SOF is detected, it activates the serial to parallel converter and gathers the incoming data bits. Every completed byte is forwarded to the FIFO. If an EOF pattern is detected or the signal strength falls below *MinLevel* set in the *RxThreshold Register*, the receiver and the decoder stop, the *Idle-Command* is entered and an appropriate response for the μ -Processor is generated (interrupt request activated, status flags set).

If bit *RxCRCEn* in the *ChannelRedundancy Register* is set a CRC block is expected. The CRC block may be one byte or two bytes according to bit *CRC8* in the *ChannelRedundancy Register*.

Remark: The received CRC block is not forwarded to the FIFO buffer if it is correct. This is realised by shifting the incoming data bytes through an internal buffer of either one or two bytes (depending on the defined CRC). The CRC block remains in this internal buffer. As a consequence all data bytes are available in the FIFO buffer one or two bytes delayed.

If the CRC fails all received bytes are forwarded to the FIFO buffer (including the faulty CRC itself).

If *ParityEn* is set in the *ChannelRedundancy Register* a parity bit is expected after each byte. If bit *ParityOdd* is set to 1, the expected parity is an odd parity, otherwise an even parity is expected.

Multiple Protocol Contactless Reader IC

CL RC632

18.4.2.3 Collision Detection

If more than one card is within the RF-field during the card selection phase, they will respond simultaneously. The CL RC632 supports the algorithm defined in ISO14443-A to resolve data-collisions of cards serial numbers by doing the so-called anti-collision procedure. The basis for this is the ability to detect bit-collisions.

Bit-collision detection is supported by the used bit-coding scheme, namely the Manchester-coding. If in the first and second half-bit of a bit a sub-carrier modulation is detected, instead of forwarding a 1 or a 0 a bit collision will be signalled. To distinguish a 1 or 0-bit from a bit-collision, the CL RC632 uses the setting of *CollLevel*. If the amplitude of the half-bit with smaller amplitude is larger than defined by *CollLevel*, the CL RC632 indicates a bit-collision.

If a bit-collision is detected, the error flag *CollErr* is set. If a bit-collision is detected in a parity bit, the flag *ParityErr* is set indicating a parity error.

Independent from the detected collision the receiver continues receiving the incoming data stream. In case of a bit-collision, the decoder forwards 1 at the collision position.

Note: As an exception, if bit *ZeroAfterColl* is set, all bits received after the first bit-collision are forced to zero, regardless whether a bit-collision or an unequivocal state has been detected. This feature eases for the software to carry out the anti-collision procedure defined in ISO14443-A.

When the first bit collision in a frame is detected, the bit position of this collision is stored in the *CollPos Register*.

The collision position follows the table below:

Collision in Bit	Value of CollPos
SOF	0
LSBit of LSByte	1
...	...
MSBit of LSByte	8
LSBit of second Byte	9
...	...
MSBit of second Byte	16
LSBit of third Byte	17
...	...

Table 18-2: Returned Values for Bit Collision Positions

The parity bits are not counted in *CollPos*, since a bit-collision in a parity bit per definition succeeds a bit-collision in the data bits. If a collision is detected in the SOF a frame error is reported and no data is forwarded to the FIFO buffer. In this case the receiver continues to monitor the incoming signal and generates the correct notifications to the μ -Processor when the ending of the faulty input stream is detected. This helps the μ -Processor to determine the time when it is allowed next to send anything to the card.

Multiple Protocol Contactless Reader IC

CL RC632

18.4.2.4 Receiving Bit Oriented Frames

The receiver can handle byte streams with incomplete bytes, resulting in bit oriented frames. To support this, the following values may be used:

- *RxAlign* selects a bit offset for the first incoming byte, e.g. if *RxAlign* is set to 3, the first 5 bits received are forwarded to the FIFO buffer. Further bits are packed into bytes and forwarded. After reception, *RxAlign* is cleared automatically.
If *RxAlign* is set to zero, all incoming bits are packed into one byte.
- *RxLastBits* returns the number of bits valid in the last received byte, e.g. if *RxLastBits* evaluates to 5 at the end of the receiving command, the 5 least significant bits are valid.
RxLastBits evaluates to zero if the last byte is complete.

RxLastBits is valid only, if no frame error is indicated by the flag *FrameErr*. If *RxAlign* is set to a value other than zero and also *ParityEn* is active, the first parity bit is not checked but ignored.

18.4.2.5 Communication Errors

The following table shows which event causes the setting of error flags:

Cause	Bit, that is set
Received data did not start with a SOF pattern.	FramingErr
The CRC block is not equal the expected value.	CRCErr
The received data is shorter than the CRC block.	CRCErr
The parity bit is not equal the expected value (e. g. a bit collision occurs when a parity is expected)	ParErr
A collision is detected.	CollErr

Table 18-3: Communication Error Table

Multiple Protocol Contactless Reader IC

CL RC632

18.4.3 TRANSCEIVE COMMAND 1E_{HEX}

Command	Code _{hex}	Action	Arguments and Data	Returned Data
Transceive	1E	Transmits data from FIFO buffer to the card and then activates automatically the receiver	Data Stream	Data Stream

The *Transceive-Command* first executes the *Transmit-Command* (see 18.4.1) and then automatically starts the *Receive-Command* (see 18.4.2). All data that shall be transmitted is forwarded via the FIFO buffer and all data received is returned via the FIFO buffer. The *Transceive-Command* can be started only by the μ -Processor.

Note: To adjust the timing relation between transmitting and receiving, the *RxWait Register* is used to define the time delay from the last bit transmitted until the receiver is activated. Furthermore, the *BitPhase Register* determines the phase-shift between the transmitter and the receiver clock.

18.4.4 STATES OF THE CARD COMMUNICATION

The actual state of the transmitter and receiver state machine can be fetched from *ModemState* in the *PrimaryStatus Register*.

The assignment of *ModemState* to the internal action is shown in the following table:

ModemState	Name of State	Description
000	Idle	Neither the transmitter nor the receiver is in operation, since none of them is started or the transmitter has not got input data
001	TxSOF	Transmitting the 'Start Of Frame' Pattern
010	TxData	Transmitting data from the FIFO buffer (or redundancy check bits)
011	TxEof	Transmitting the 'End Of Frame' Pattern
100	GoToRx1	Intermediate state passed, when receiver starts
	GoToRx2	Intermediate state passed, when receiver finishes
101	PrepareRx	Waiting until the time period selected in the <i>RxWait Register</i> has expired
110	AwaitingRx	Receiver activated; Awaiting an input signal at pin Rx
111	Receiving	Receiving data

Table 18-4: Meaning of ModemState

Multiple Protocol Contactless Reader IC

CL RC632

18.4.5 STATE DIAGRAM FOR THE CARD COMMUNICATION

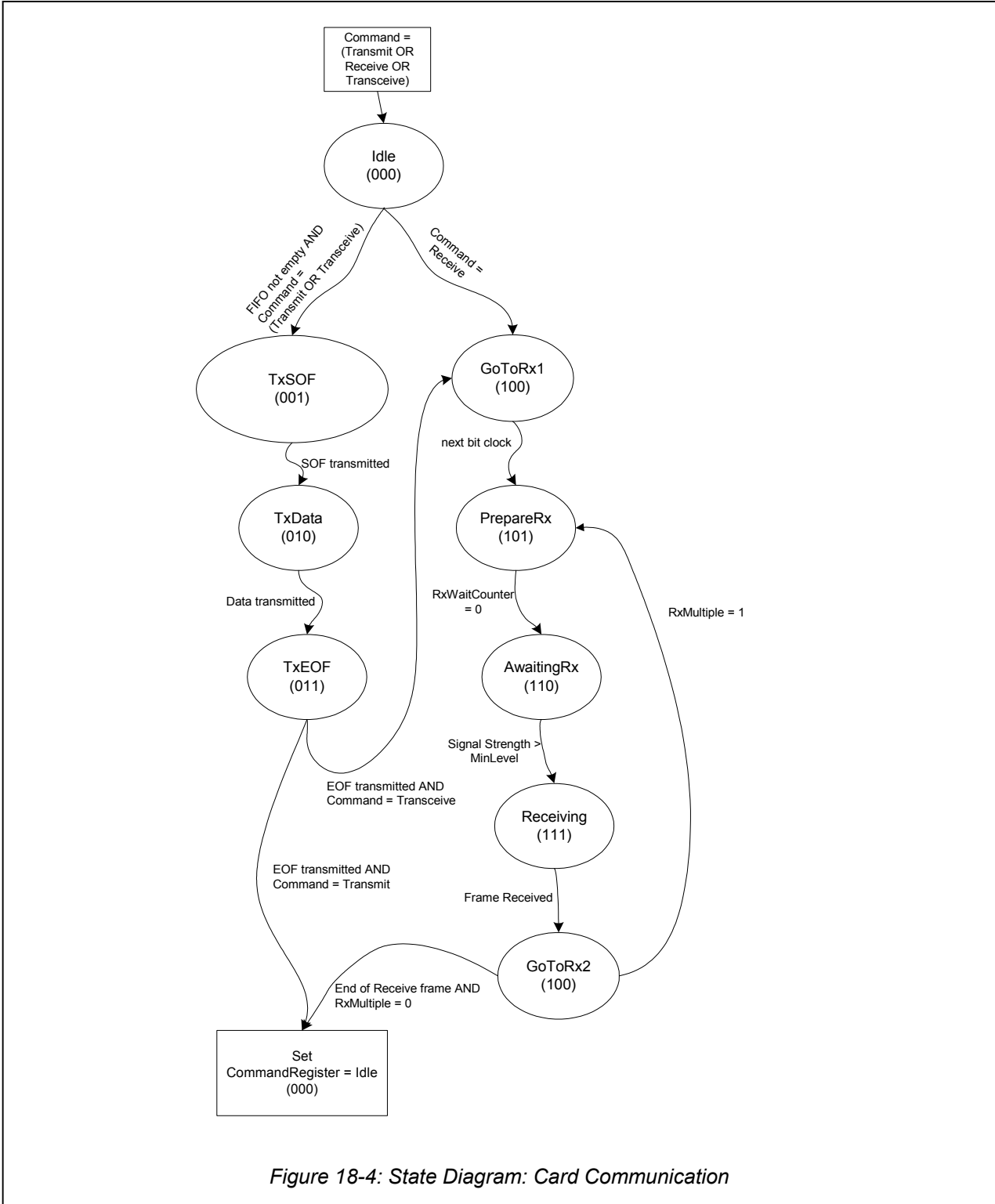


Figure 18-4: State Diagram: Card Communication

Multiple Protocol Contactless Reader IC

CL RC632

18.5 Commands for I•CODE1 and ISO15693 Label Communication

The CL RC632 is a fully ISO 14443 and ISO15693 and I•CODE1 compliant reader IC. Therefore, the command set of this IC allows more flexibility and more generalised commands compared to MIFARE® or I•CODE1 dedicated reader ICs. The following chapter describes the command set for card communication for I•CODE1 and ISO15693 related communication schemes in general.

18.5.1 TRANSMIT COMMAND 1A_{HEX}

Command	Code _{hex}	Action	Arguments and Data	Returned Data
Transmit	1A	Transmits data from FIFO buffer to the label	Data Stream	-

The *Transmit-Command* takes data from the FIFO buffer and forwards it to the transmitter. It does not return any data. The *Transmit-Command* can only be started by the μ-Processor.

18.5.1.1 Working with the Transmit Command

To transmit data one of the following sequences may be used:

1. All data, that shall be transmitted to the label is written to the FIFO while the *Idle-Command* is active. After that, the command code for the *Transmit-Command* is written to the *Command-Register*.
Note: This is possible for transmission of data with a length of up to 64 bytes.
2. The command code for the *Transmit-Command* is written to *Command-Register* first. Since no data is available in the FIFO, the command is only enabled but transmission is not triggered yet. Data transmission really starts with the first data byte written to the FIFO. To generate a continuous data stream on the RF-interface, the μ-Processor has to put the next data bytes to the FIFO in time.
Note: This allows transmission of data of any length but requires that data is available in the FIFO in time.
3. A part of the data, that shall be transmit to the label is written to the FIFO while the *Idle-Command* is active. After that, the command code for the *Transmit-Command* is written to the *Command-Register*. While the *Transmit-Command* is active, the μ-Processor may feed further data to the FIFO, causing the transmitter to append it to the transmitted data stream.
Note: This enables transmission of data of any length but requires that data is available in the FIFO in time.

When the transmitter requests the next data byte to keep the data stream on the RF-interface continuous but the FIFO buffer is empty, the *Transmit-Command* automatically terminates. This causes the internal state machine to change its state from Transmit to Idle.

If data transmission to the label is finished, the CL RC632 sets the flag *TxIRq* to signal it to the μ-Processor.

Remark: If the μ-Processor overwrites the transmit code in the *Command-Register* with the *Idle-Command* or any other command, transmission stops immediately with the next clock cycle. This may produce output signals that are not according to the standard ISO 15693 or the I•CODE1 protocol.

Multiple Protocol Contactless Reader IC

CL RC632

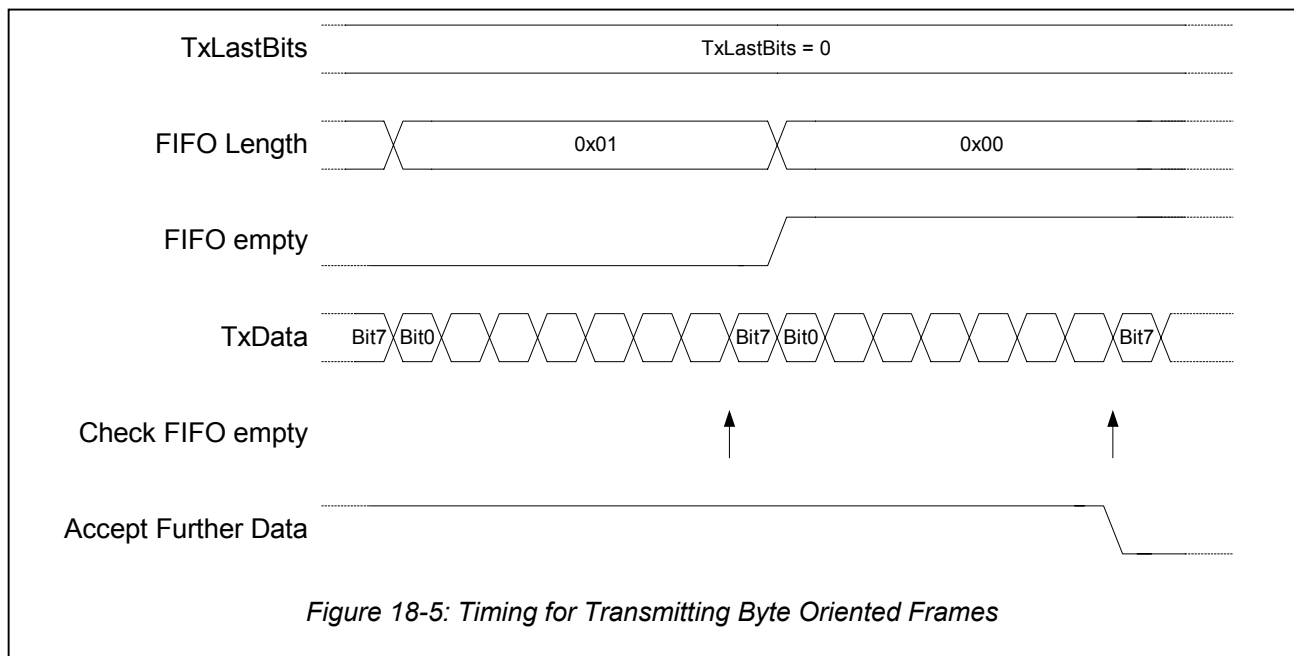
18.5.1.2 RF-Channel Redundancy and Framing

Each transmitted ISO 15693 frame consists of a SOF (start of frame) pattern, followed by the data stream and is closed by an EOF (end of frame) pattern. All I•CODE1 command frames consists of a START PULSE followed by the data stream. The I•CODE1 commands have a fix length and no EOF is needed. These different phases of the transmit sequence may be monitored by watching ModemState of *PrimaryStatus-Register* (see 18.4.4).

Depending on the setting of bit TxCRCEn in the *ChannelRedundancy-Register* a CRC is calculated and appended to the data stream. The CRC is calculated according the settings in the *ChannelRedundancy Register*.

18.5.1.3 Transmission of Frames with more than 64 Bytes

To generate frames with more than 64 bytes, the μ -Processor has to write data into the FIFO buffer while the *Transmit Command* is active. The state machine checks the FIFO status when it starts transmitting the last bit of the actual data stream (the check time is marked below with arrows).



As long as the internal signal 'Accept Further Data' is 1 further data may be loaded into the FIFO. The CL RC632 appends this data to the data stream transmitted via the RF-interface. If the internal signal 'Accept Further Data' is 0 the transmission will terminate. All data written into the FIFO buffer after 'Accept Further Data' went 0 will not be transmitted anymore, but remain in the FIFO buffer.

Multiple Protocol Contactless Reader IC

CL RC632

18.5.2 RECEIVE COMMAND 16_{HEX}

Command	Code _{hex}	Action	Arguments and Data	Returned Data
Receive	16	Activates Receiver Circuitry	-	Data Stream

The *Receive-Command* activates the receiver circuitry. All data received from the RF interface is returned via the FIFO buffer. The *Receive-Command* can be started either by the μ -Processor or automatically during execution of the *Transceive-Command*.

Note: This command may be used for test purposes only, since there is no timing relation to the *Transmit-Command*.

18.5.2.1 Working with the Receive Command

After starting the *Receive Command* the internal state machine decrements the value set in the *RxWait-Register* with every bit-clock. From 3 down to 1 the analog receiver circuitry is prepared and activated. When the counter reaches 0, the receiver starts monitoring the incoming signal at the RF-interface. If the signal strength reaches a level higher than the value set in the *MinLevel-Register* it finally starts decoding. The decoder stops, if no more signal can be detected on the receiver input pin Rx. The decoder indicates termination of operation by setting bit *RxIrq*.

The different phases of the receive sequence may be monitored by watching *ModemState* of the *PrimaryStatus-Register* (see 18.4.4).

Note: Since the counter values from 3 to 0 are necessary to initialise the analog receiver circuitry the minimum value for *RxWait* is 3.

18.5.2.2 RF-Channel Redundancy and Framing

For ISO 15693 the decoder expects a SOF pattern at the beginning of each data stream. If a SOF is detected, it activates the serial to parallel converter and gathers the incoming data bits. For **1CODE1** the decoder do not expects a SOF pattern at the beginning of each data stream. It activates the serial to parallel converter with the first received bit of the data. Every completed byte is forwarded to the FIFO. If an EOF pattern (ISO15693) is detected or the signal strength falls below *MinLevel* set in the *RxThreshold Register*, the receiver and the decoder stop, the *Idle-Command* is entered and an appropriate response for the μ -Processor is generated (interrupt request activated, status flags set).

If bit *RxCRCEn* in the *ChannelRedundancy Register* is set a CRC block is expected. The CRC block may be one byte or two bytes according to bit *CRC8* in the *ChannelRedundancy Register*.

Remark: The received CRC block is not forwarded to the FIFO buffer if it is correct. This is realised by shifting the incoming data bytes through an internal buffer of either one or two bytes (depending on the defined CRC). The CRC block remains in this internal buffer. As a consequence all data bytes are available in the FIFO buffer one or two bytes delayed.

If the CRC fails all received bytes are forwarded to the FIFO buffer (including the faulty CRC itself).

Multiple Protocol Contactless Reader IC

CL RC632

18.5.2.3 Collision Detection

If more than one label is within the RF-field during the label selection phase, they will respond simultaneously. The CL RC632 supports the algorithm defined in ISO 15693 as well as the I²CODE1 anti-collision algorithm to resolve data-collisions of label serial numbers by doing the so-called anti-collision procedure. The basis for this is the ability to detect bit-collisions.

Bit-collision detection is supported by the used bit-coding scheme, namely the Manchester-coding. If in the first and second half-bit of a bit a sub-carrier modulation is detected, instead of forwarding a 1 or a 0 a bit collision will be signalled. To distinguish a 1 or 0-bit from a bit-collision, the CL RC632 uses the setting of *CollLevel*. If the amplitude of the half-bit with smaller amplitude is larger than defined by *CollLevel*, the CL RC632 indicates a bit-collision.

If a bit-collision is detected, the error flag *CollErr* is set.

Independent from the detected collision the receiver continues receiving the incoming data stream. In case of a bit-collision, the decoder forwards 1 at the collision position.

Note: As an exception, if bit *ZeroAfterColl* is set, all bits received after the first bit-collision are forced to zero, regardless whether a bit-collision or an unequivocal state has been detected. This feature eases for the software to carry out the anti-collision procedure defined in ISO 15693.

When the first bit collision in a frame is detected, the bit position of this collision is stored in the *CollPos Register*.

The collision position follows the table below:

Collision in Bit	Value of CollPos
SOF	0
LSBit of LSByte	1
...	...
MSBit of LSByte	8
LSBit of second Byte	9
...	...
MSBit of second Byte	16
LSBit of third Byte	17
...	...

Table 18-5: Returned Values for Bit Collision Positions

If a collision is detected in the SOF a frame error is reported and no data is forwarded to the FIFO buffer. In this case the receiver continues to monitor the incoming signal and generates the correct notifications to the μ -Processor when the ending of the faulty input stream is detected. This helps the μ -Processor to determine the time when it is allowed next to send anything to the label.

Multiple Protocol Contactless Reader IC

CL RC632

18.5.2.4 Communication Errors

The following table shows which event causes the setting of error flags:

Cause	Bit, that is set
Received data did not start with a SOF pattern.	FramingErr
The CRC block is not equal the expected value.	CRCErr
The received data is shorter than the CRC block.	CRCErr
A collision is detected.	CollErr

Table 18-6: Communication Error Table

18.5.3 TRANSCEIVE COMMAND 1E_{HEX}

Command	Code _{hex}	Action	Arguments and Data	Returned Data
Transceive	1E	Transmits data from FIFO buffer to the label and then activates automatically the receiver	Data Stream	Data Stream

The *Transceive-Command* first executes the *Transmit-Command* (see 18.4.1) and then automatically starts the *Receive-Command* (see 18.4.2). All data that shall be transmitted is forwarded via the FIFO buffer and all data received is returned via the FIFO buffer. The *Transceive-Command* can be started only by the μ -Processor.

Note: To adjust the timing relation between transmitting and receiving, the *RxWait Register* is used to define the time delay from the last bit transmitted until the receiver is activated. Furthermore, the *BitPhase Register* determines the phase-shift between the transmitter and the receiver clock.

18.5.4 STATES OF THE LABEL COMMUNICATION

The actual state of the transmitter and receiver state machine can be fetched from *ModemState* in the *PrimaryStatus Register*.

The assignment of *ModemState* to the internal action is shown in the following table:

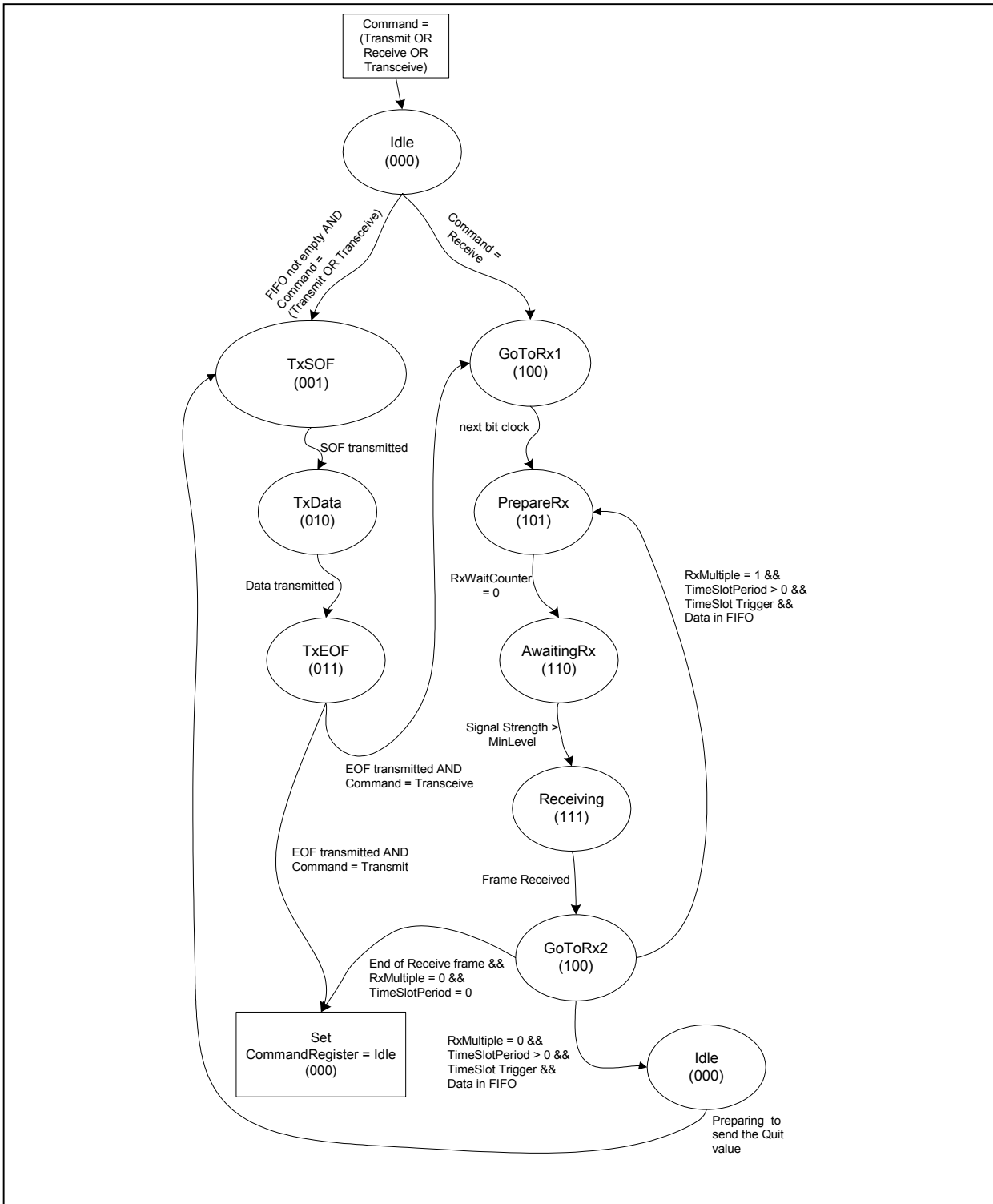
ModemState	Name of State	Description
000	Idle	Neither the transmitter nor the receiver is in operation, since none of them is started or the transmitter has not got input data
001	TxSOF	Transmitting the 'Start Of Frame' Pattern
010	TxData	Transmitting data from the FIFO buffer (or redundancy check bits)
011	TxEOF	Transmitting the 'End Of Frame' Pattern
100	GoToRx1	Intermediate state passed, when receiver starts
	GoToRx2	Intermediate state passed, when receiver finishes
101	PrepareRx	Waiting until the time period selected in the <i>RxWait Register</i> has expired
110	AwaitingRx	Receiver activated; Awaiting an input signal at pin Rx
111	Receiving	Receiving data

Table 18-7: Meaning of ModemState

18.5.5 STATE DIAGRAM FOR THE LABEL COMMUNICATION

Multiple Protocol Contactless Reader IC

CL RC632



Remark: I•CODE1 do not have a SOF and a EOF

Multiple Protocol Contactless Reader IC

CL RC632

18.6 Commands to Access the E²PROM18.6.1 WRITEE2 COMMAND 01_{HEX}

18.6.1.1 Overview

Command	Code _{hex}	Action	Arguments and Data passed via FIFO	Returned Data via FIFO
WriteE2	01	Get data from FIFO buffer and write it to the E ² PROM	Start Address LSB Start Address MSB Data Byte Stream	-

The *WriteE2-Command* interprets the first two bytes in the FIFO buffer as E²PROM starting byte-address. Any further bytes are interpreted as data bytes and are programmed into the E²PROM, starting from the given E²PROM starting byte-address. This command does not return any data.

The *WriteE2-Command* can only be started by the μ -Processor. It will not stop automatically but has to be stopped explicitly by the μ -Processor by issuing the *Idle-Command*.

18.6.1.2 Programming Process

One byte up to 16 byte can be programmed into the EEPROM in one programming cycle. The time needed will be in any case about 5.8ms.

The state machine copies all data bytes prepared in the FIFO buffer to the E²PROM input buffer. The internal E²PROM input buffer is 16 byte long, which is equal the block size of the E²PROM. A programming cycle is started either if the last position of the E²PROM input buffer is written or if the last byte of the FIFO buffer has been fetched.

As long as there are unprocessed bytes in the FIFO buffer or the E²PROM programming cycle still is in progress, the flag *E2Ready* is 0. If all data from the FIFO buffer are programmed into the E²PROM, the flag *E2Ready* is set to 1. Together with the rising edge of *E2Ready* the interrupt request flag *TxIRq* indicates a 1. This may be used to generate an interrupt when programming of all data is finished.

After the *E2Ready* bit is set to 1, the *WriteE2-Command* may be stopped by the μ -Processor by issuing the *Idle-Command*.

Note: During the E²PROM programming indicated by *E2Ready* = 0 the WRITEE2 command cannot be stopped by any other command.

Multiple Protocol Contactless Reader IC

CL RC632

18.6.1.3 Timing Diagram

The following diagram shows programming of 5 bytes into the E²PROM:

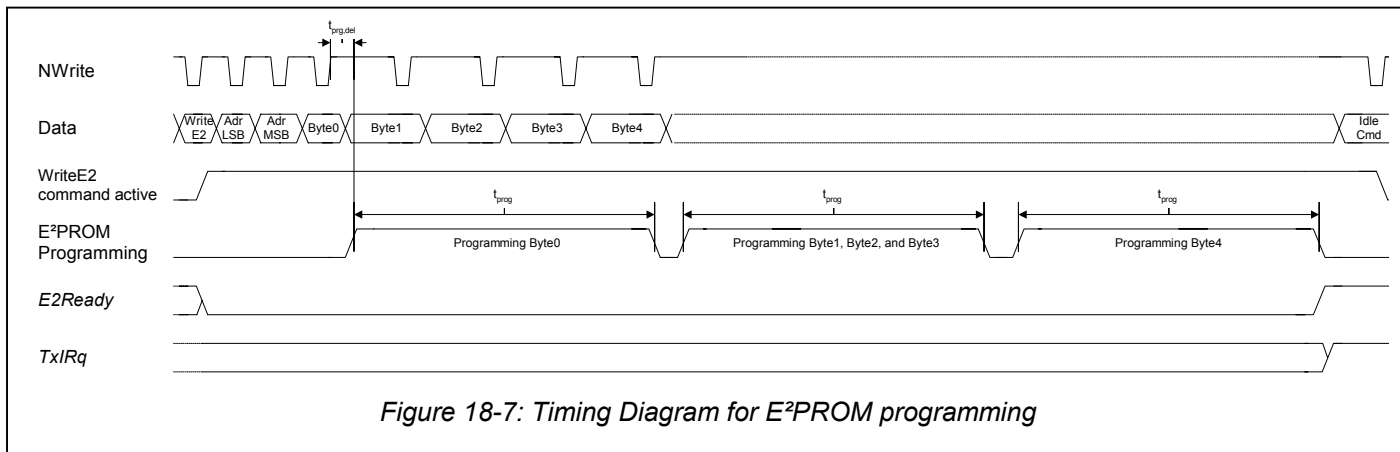


Figure 18-7: Timing Diagram for E²PROM programming

Explanation: It is assumed, that the CL RC632 finds and reads Byte 0 before the μ -Processor is able to write Byte 1 ($t_{prog,del} = 300\text{ ns}$). This causes the CL RC632 to start the programming cycle, which needs about $t_{prog} = 5.8\text{ ms}$. In the meantime the μ -Processor stores Byte 1 to Byte 4 to the FIFO buffer. Assuming, that the E²PROM starting byte-address is e.g. $16C_{hex}$ then Byte 0 is stored exactly there. The CL RC632 copies the following data bytes into the E²PROM input buffer. Copying Byte 3, it detects, that this data byte has to be programmed at the E²PROM byte-address $16F_{hex}$. Since this is the end of the memory block, the CL RC632 automatically starts a programming cycle. In the next turn, Byte 4 will be programmed at the E²PROM byte-address 170_{hex} . Since this is the last data byte, the flags (*E2Ready* and *TxIRq*) that indicate the end of the E²PROM programming activity will be set.

Although all data has been programmed into the E2PROM, the CL RC632 stays in the *WriteE2-Command*. Writing further data to the FIFO would lead to further E²PROM programming, continuing at the E²PROM byte-address 171_{hex} . The command is stopped using the *Idle-Command*.

18.6.1.4 Error Flags for the WriteE2 Command

Programming is inhibited for the E²PROM blocks 0 (E²PROM's byte-address 00_{hex} to $0F_{hex}$). Programming to these addresses sets the flag *AccessErr*. No programming cycle is started. Addresses above $1FF_{hex}$ are taken modulo 200_{hex} (for the E²PROM memory organisation, refer to chapter 6.).

Multiple Protocol Contactless Reader IC

CL RC632

18.6.2 READE2 COMMAND 03_{HEX}

18.6.2.1 Overview

Command	Code _{hex}	Action	Arguments	Returned Data
ReadE2	03	Reads data from E ² PROM and puts it to the FIFO buffer	Start Address LSB Start Address MSB Number of Data Bytes	Data Bytes

The *ReadE2-Command* interprets the first two bytes found in the FIFO buffer as E²PROM starting byte-address. The next byte specifies the number of data bytes that shall be returned. When all three argument-bytes are available in the FIFO buffer, the specified number of data bytes is copied from the E²PROM into the FIFO buffer, starting from the given E²PROM starting byte-address. The *ReadE2-Command* can be triggered only by the μ -Processor. It stops automatically when all data has been delivered.

18.6.2.2 Error Flags for the ReadE2 Command

Reading is inhibited for the E²PROM blocks 8_{hex} up to 1F_{hex} (key memory area). Reading from these addresses sets the flag *AccessErr* to 1. Addresses above 1FF_{hex} are taken modulo 200_{hex} (for the E²PROM memory organisation, refer to chapter 6).

18.7 Diverse Commands

18.7.1 LOADCONFIG COMMAND 07_{HEX}

18.7.1.1 Overview

Command	Code _{hex}	Action	Arguments and Data	Returned Data
LoadConfig	07	Reads data from E ² PROM and initialises the registers	Start Address LSB Start Address MSB	-

The *LoadConfig-Command* interprets the first two bytes found in the FIFO buffer as E²PROM starting byte-address. When the two argument-bytes are available in the FIFO buffer, 32 bytes from the E²PROM are copied into the CL RC632 control and configuration registers, starting at the given E²PROM starting byte-address. The *LoadConfig-Command* can only be started by the μ -Processor. It stops automatically when all relevant registers have been copied.

Multiple Protocol Contactless Reader IC

CL RC632

18.7.1.2 Register Assignment

The 32 bytes of E²PROM content, beginning with the E²PROM starting byte-address, is written to the CL RC632 register 10_{hex} up to register 2F_{hex} (for the E²PROM memory organisation see also 6).

Note: The procedure for the register assignment is the same as it is for the Start Up Initialisation (see 11.3). The difference is, that the E²PROM starting byte-address for the Start Up Initialisation is fixed to 10_{hex} (Block 1, Byte 0). With the *LoadConfig-Command* it can be chosen.

18.7.1.3 Relevant Error Flags for the LoadConfig-Command

Valid E²PROM starting byte-addresses are in the range from 10_{hex} up to 60_{hex}.

Copying from block 8_{hex} up to 1F_{hex} (keys) is inhibited. Reading from these addresses sets the flag *AccessErr* to 1. Addresses above 1FF_{hex} are taken modulo 200_{hex} (for the E²PROM memory organisation refer to chapter 6).

18.7.2 CALCCRC COMMAND 12_{HEX}

18.7.2.1 Overview

Command	Code _{hex}	Action	Arguments and Data	Returned Data
CalcCRC	12	Activates the CRC-Coprocessor	Data Byte-Stream	-

The *CalcCRC-Command* takes all data from the FIFO buffer as input bytes for the CRC-Coprocessor. All data stored in the FIFO buffer before the command is started will be processed. This command does not return any data via the FIFO buffer, but the content of the CRC-register can be read back via the *CRCResultLSB-register* and the *CRCResultMSB-register*. The *CalcCRC-Command* can only be started by the μ -Processor. It does not stop automatically but has to be stopped explicitly by the μ -Processor with the *Idle-Command*. If the FIFO buffer is empty, the *CalcCRC-Command* waits for further input from the FIFO buffer.

Multiple Protocol Contactless Reader IC

CL RC632

18.7.2.2 CRC-Coprocessor Settings

For the CRC-Coprocessor the following parameters may be configured:

Parameter	Value	Bit	Register
CRC Register Length	8 Bit or 16 Bit CRC	CRC8	ChannelRedundancy
CRC Algorithm	Algorithm according ISO14443-A or according ISO/IEC3309	CRC3309	ChannelRedundancy
CRC Preset Value	Any	CRCPresetLSB, CRCPresetMSB	CRCPresetLSB, CRCPresetMSB

Table 18-8: CRC-Coprocessor Parameters

The CRC polynomial for the 8-bit CRC is fixed to $x^8 + x^4 + x^3 + x^2 + 1$.

The CRC polynomial for the 16-bit CRC is fixed to $x^{16} + x^{12} + x^5 + 1$.

18.7.2.3 Status Flags of the CRC-Coprocessor

The status flag *CRCReady* indicates, that the CRC-Coprocessor has finished processing of all data bytes found in the FIFO buffer. With the *CRCReady* flag setting to 1, an interrupt is requested with *TxIRq* being set. This supports interrupt driven usage of the CRC-Coprocessor.

When *CRCReady* and *TxIRq* are set to 1, respectively, the content of the *CRCResultLSB*- and *CRCResultMSB*-register and the flag *CRCErr* is valid.

The *CRCResultLSB*- and *CRCResultMSB*-register hold the content of the CRC register, the *CRCErr* flag indicates CRC validity for the processed data.

18.8 Error Handling during Command Execution

If any error is detected during command execution, this is shown by setting the status flag *Err* in the *PrimaryStatus Register*. For information about the cause of the error, the μ -Processor may evaluate the status flags in the *ErrorFlag Register*.

Error Flag of the <i>ErrorFlag Register</i>	Related to Command
<i>KeyErr</i>	<i>LoadKeyE2, LoadKey</i>
<i>AccessError</i>	<i>WriteE2, ReadE2, LoadConfig</i>
<i>FIFOovl</i>	<i>No specific commands</i>
<i>CRCErr</i>	<i>Receive, Transceive, CalcCRC</i>
<i>FramingErr</i>	<i>Receive, Transceive</i>
<i>ParityErr</i>	<i>Receive, Transceive</i>
<i>CollErr</i>	<i>Receive, Transceive</i>

Table 18-9: Error Flags Overview

Multiple Protocol Contactless Reader IC

CL RC632

18.9 MIFARE® Classic Security Commands

18.9.1 LOADKEYE2 COMMAND 0B_{HEX}

18.9.1.1 Overview

Command	Code _{hex}	Action	Arguments and Data	Returned Data
LoadKeyE2	0B	Reads a key from the E ² PROM and puts it into the internal key buffer	Start Address LSB Start Address MSB	-

The *LoadKeyE2-Command* interprets the first two bytes found in the FIFO buffer as E²PROM starting byte-address. The E²PROM bytes starting from the given starting byte-address are interpreted as key, stored in the correct key format as described in chapter 6.4.1. When all two argument-bytes are available in the FIFO buffer, the command execution starts. The *LoadKeyE2-Command* can be started only by the μ -Processor. It stops automatically after having copied the key from the E²PROM into the key buffer.

18.9.1.2 Relevant Error Flags for the LoadKeyE2-Command

If the key format is not correct (see chapter 6.4.1) an undefined value is copied into the key buffer and the flag *KeyError* is set.

18.9.2 LOADKEY COMMAND 19_{HEX}

18.9.2.1 Overview

Command	Code _{hex}	Action	Arguments and Data	Returned Data
LoadKey	19	Reads a key from the FIFO buffer and puts it into the key buffer	Byte0 (LSB) Byte1 ... Byte10 Byte11 (MSB)	-

The *LoadKey-Command* interprets the first twelve bytes it finds in the FIFO buffer as key, stored in the correct key format as described in chapter 6.4.1. When the twelve argument-bytes are available in the FIFO buffer they are checked and, if valid, are copied into the key buffer (see also 19.2).

The *LoadKey-Command* can only be started by the μ -Processor. It stops automatically after having copied the key from the FIFO buffer into the key buffer.

18.9.2.2 Relevant Error Flags for the LoadKey-Command

All bytes requested are copied from the FIFO buffer to the key buffer. If the key format is not correct (see chapter 6.4.1) an undefined value is copied into the key buffer and the flag *KeyError* is set.

Multiple Protocol Contactless Reader IC

CL RC632

18.9.3 AUTHENT1 COMMAND 0C_{HEX}

18.9.3.1 Overview

Command	Code _{hex}	Action	Arguments and Data	Returned Data
Authent1	0C	Performs the first part of the Crypto1 (MIFARE [®] Classic) card authentication	Card Auth-Command Card Block Address Card Serial Number LSB Card Serial Number Byte1 Card Serial Number Byte2 Card Serial Number MSB	-

The *Authent1-Command* is a special *Transceive-Command*: it takes six argument bytes which are sent to the card. The card's response is not forwarded to the μ -Processor, but is used to check the authenticity of the card and to prove authenticity of the CL RC632 to the card. The *Authent1-Command* can be triggered only by the μ -Processor. The sequence of states for this command is the same as for the *Transceive-Command* (see 18.4.3).

18.9.4 AUTHENT2 COMMAND 14_{HEX}

18.9.4.1 Overview

Command	Code _{hex}	Action	Arguments and Data	Returned Data
Authent2	14	Performs the second part of the card authentication using the Crypto1 algorithm.	-	-

The *Authent2-Command* is a special *Transceive-Command*. It does not need any argument byte but all necessary data which has to be sent to the card is assembled by the CL RC632 itself. The card response is not forwarded to the μ -Processor, but is used to check the authenticity of the card and to prove authenticity of the CL RC632 to the card. The *Authent2-Command* can only be started by the μ -Processor. The logical sequence for this command is the same as for the *Transceive-Command* (see 18.4.3).

18.9.4.2 Effect of the Authent2-Command

If the *Authent2-Command* was successful, authenticity of card and CL RC632 is proved. In this case, the control bit *Crypto1On* is set automatically. When bit *Crypto1On* is set, all further card communication is done encrypted, using the Crypto1 security algorithm. If the *Authent2-Command* fails, bit *Crypto1On* is cleared.

Note: The flag *Crypto1On* can not be set by the μ -Processor but only through a successfully performed *Authent2-Command*. The μ -Processor may clear the bit *Crypto1On* to continue with plain card communication.

Note: The *Authent2-Command* has to be executed immediately after a successful *Authent1-Command* (see 18.9.3). Furthermore, the keys stored in the key buffer and those on the card have to match.

Multiple Protocol Contactless Reader IC

CL RC632

19 MIFARE® CLASSIC AUTHENTICATION AND CRYPTO1

19.1 General

The security algorithm implemented in MIFARE® Classic products is called Crypto1. It is based on a proprietary stream cipher with a key length of 48 bits. To access data of a MIFARE® Classic card, the knowledge of the according key is necessary. For successful card authentication and subsequent access to the card's data stored in the EEPROM, the correct key has to be available in the CL RC632. After a card is selected as defined in ISO14443A the user may continue with the MIFARE® Classic protocol. In this case it is mandatory to perform a card authentication. The Crypto1 authentication is a 3-pass authentication. This procedure is done automatically with the execution of *Authent1*- (see 18.9.3) and the *Authent2-Commands* (see 18.9.4). During the card authentication procedure, the security algorithm is initialised. The communication with a MIFARE® Classic card following a successful authentication is encrypted.

19.2 Crypto1 Key Handling

During the authentication command the CL RC632 reads the key from the internal key buffer. The key is always taken from the key buffer. Therefore, the commands for Crypto1 authentication do not require addressing of a key. The user has to ensure, that the correct key is prepared in the key buffer before the card authentication is triggered.

The key buffer can be loaded

- from the E²PROM with the *LoadKeyE2-Command* (see 18.9.1)
- directly from the µ-Processor via the FIFO-Buffer with the *LoadKey-Command* (see 18.9.2)

This is shown in the following figure:

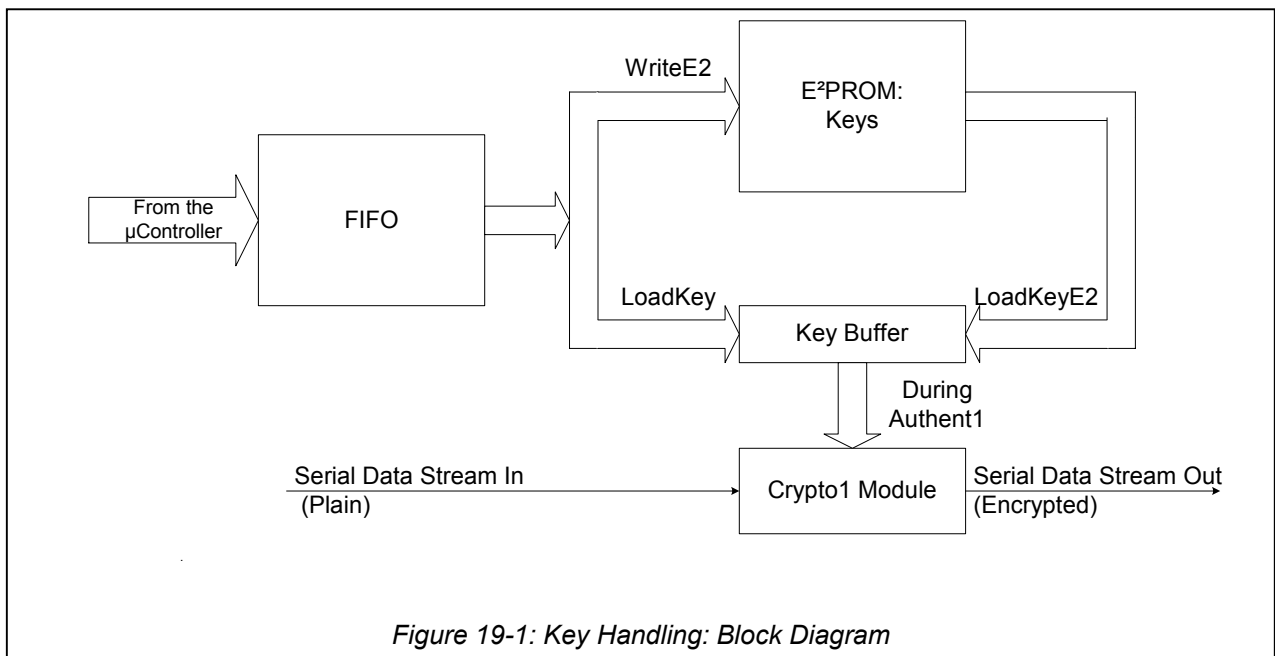


Figure 19-1: Key Handling: Block Diagram

Multiple Protocol Contactless Reader IC

CL RC632

19.3 Performing MIFARE® Classic Authentication

To enable authentication of MIFARE® Classic cards the Crypto1 security algorithm is implemented. To obtain valid authentication, the correct key has to be available in the key buffer of the CL RC632.

- ⇒ Step 1: Load the internal key buffer by means of the *LoadKeyE2-* (see 18.9.1) or the *LoadKey-Command* (see 18.9.2).
- ⇒ Step 2: Start the *Authent1-Command* (see 18.9.3). When finished, check the error flags to obtain the status of the command execution.
- ⇒ Step 3: Start the *Authent2-Command* (see 18.9.4). When finished, check the error flags and bit *Crypto1On* to obtain the status of the command execution.

Multiple Protocol Contactless Reader IC

CL RC632

20 TYPICAL APPLICATION

20.1 Circuit Diagram

The figure below shows a typical application, where the antenna is directly connected to the CL RC632:

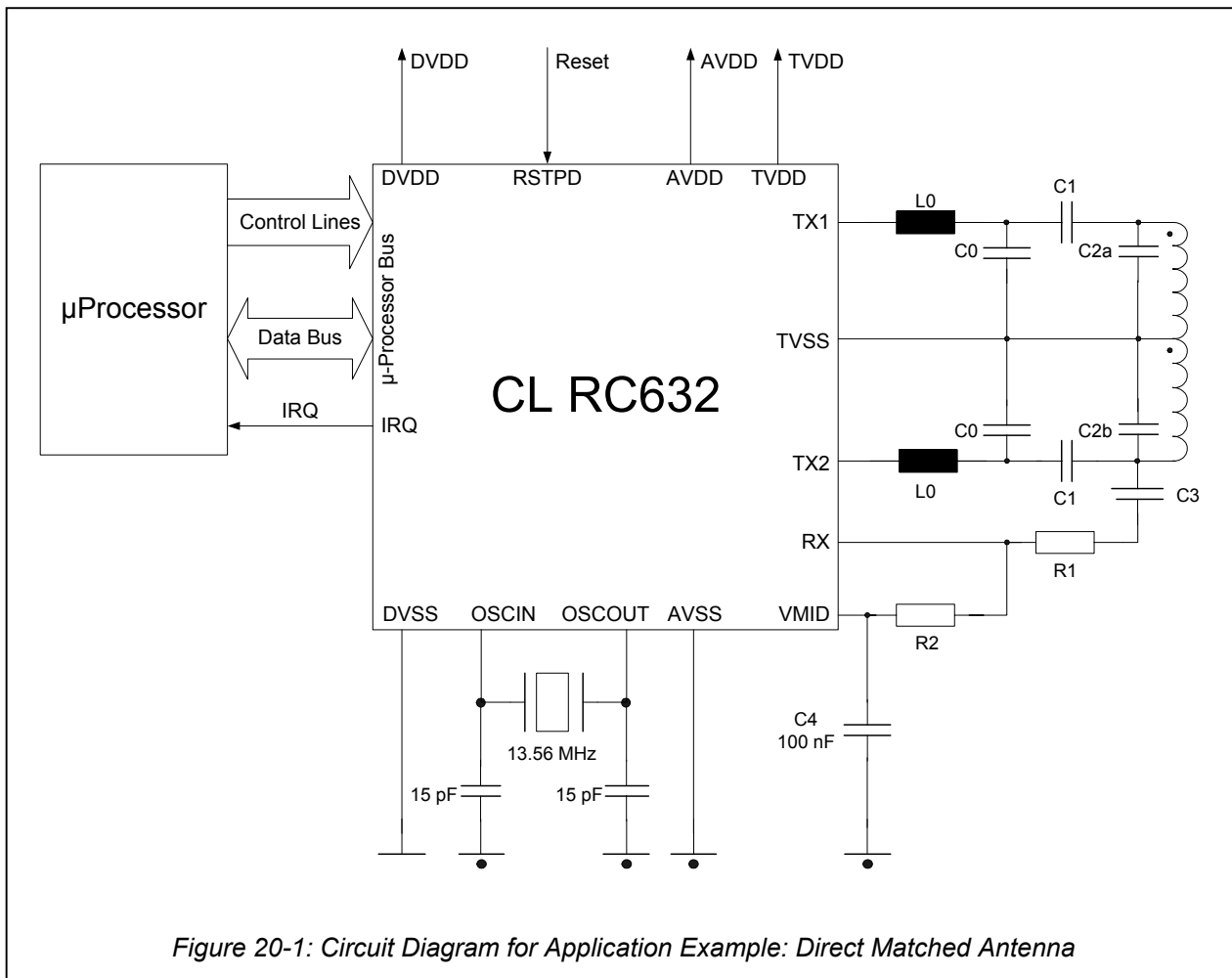


Figure 20-1: Circuit Diagram for Application Example: Direct Matched Antenna

Multiple Protocol Contactless Reader IC

CL RC632

20.2 Circuit Description

The matching circuit consists of an EMC low pass filter (L0 and C0), a matching circuitry (C1 and C2), and a receiving circuit (R1, R2, C3 and C4), and the antenna itself.

For more detailed information about designing and tuning an antenna please refer to the Application Note

'MIFARE® and I CODE MICORE reader IC family; Directly Matched Antenna Design' and

'MIFARE® (14443A) 13,56 MHz RFID Proximity Antennas'.

20.2.1 EMC LOW PASS FILTER

The MIFARE® system operates at a frequency of 13.56 MHz. This frequency is generated by a quartz oscillator to clock the CL RC632 and is also the basis for driving the antenna with the 13.56 MHz energy carrier. This will not only cause emitted power at 13.56 MHz but will also emit power at higher harmonics. The international EMC regulations define the amplitude of the emitted power in a broad frequency range. Thus, an appropriate filtering of the output signal is necessary to fulfil these regulations.

A multi-layer board it is recommended to implement a low pass filter as shown in the circuit above. The low pass filter consists of the components L0 and C0. The recommended values are given in the above mentioned application notes.

Note: To achieve best performance all components shall have at least the quality of the recommended ones.

Note: The layout has a major influence on the overall performance of the filter.

20.2.2 ANTENNA MATCHING

Due to the impedance transformation of the given low pass filter, the antenna coil has to be matched to a certain impedance. The matching elements C1 and C2 can be estimated and have to be fine tuned depending on the design of the antenna coil.

The correct impedance matching is important to provide the optimum performance. The overall Quality factor has to be considered to guarantee a proper ISO14443 communication scheme. Environmental influences have to be considered as well as common EMC design rules.

For details refer to the above mentioned application notes.

Note: Do not exceed the current limits I_{TVDD} , otherwise the chip might be destroyed.

Note: The overall 13.56MHz RFID proximity antenna design with the CL RC632 chip is straight forward and doesn't require a special RF-know how. However, all relevant parameters have to be considered to guarantee an overall optimum performance together with international EMC compliance.

Multiple Protocol Contactless Reader IC

CL RC632

20.2.3 RECEIVING CIRCUIT

The internal receiving concept of the CL RC632 makes use of both side-bands of the sub-carrier load modulation of the card response. No external filtering is required.

It is recommended to use the internally generated VMID potential as the input potential of pin RX. This DC voltage level of VMID has to be coupled to the Rx-pin via R2. To provide a stable DC reference voltage a capacitance C4 has to be connected between VMID and ground.

Considering the (AC) voltage limits at the Rx-pin the AC voltage divider of R1 + C3 and R2 has to be designed. Depending on the antenna coil design and the impedance matching the voltage at the antenna coil varies from antenna design to antenna design. Therefore the recommended way to design the receiving circuit is to use the given values for R1, R2, and C3 from the above mentioned application note, and adjust the voltage at the Rx-pin by varying R1 within the given limits.

Note: R2 is AC-wise connected to ground (via C4).

20.2.4 ANTENNA COIL

The precise calculation of the antenna coils' inductance is not practicable but the inductance can be **estimated** using the following formula. We recommend designing an antenna either with a circular or rectangular shape.

$$L_1 [nH] = 2 \cdot l_1 [cm] \cdot \left(\ln \left(\frac{l_1}{D_1} \right) - K \right) N_1^{1,8}$$

l_1 Length of one turn of the conductor loop

D_1 Diameter of the wire or width of the PCB conductor respectively

K Antenna Shape Factor ($K = 1,07$ for circular antennas and $K = 1,47$ for square antennas)

N_1 Number of turns

\ln Natural logarithm function

The actual values of the **antenna inductance, resistance, and capacitance at 13.56 MHz** depend on various parameters like:

- antenna construction (Type of PCB)
- thickness of conductor
- distance between the windings
- shielding layer
- metal or ferrite in the near environment

Therefore a measurement of those parameters under real life conditions, or at least a rough measurement and a tuning procedure is recommended to guarantee the optimum performance. For details refer to the above mentioned application notes.

Multiple Protocol Contactless Reader IC

CL RC632

21 TEST SIGNALS

21.1 General

The CL RC632 allows different kind of signal measurements. These measurements can be used to check the internally generated and received signals using the possibilities of the serial signal switch as described in chapter 15.

Furthermore, with the CL RC632 the user may select internal analogue signals to measure them at pin AUX and internal digital signals to observe them on pin MFOUT by register selections. These measurements can be helpful during the design-in phase to optimise the receiver's behaviour or for test purpose.

21.2 Measurements Using the Serial Signal Switch

Using the serial signal switch at pin MFOUT the user may observe data send to the card or data received from the card. The following tables give an overview of the different signals available.

SignalToMFOUT	MFOUTSelect	Signal routed to MFOUT pin
0	0	LOW
0	1	HIGH
0	2	Envelope
0	3	Transmit NRZ
0	4	Manchester with Subcarrier
0	5	Manchester
0	6	RFU
0	7	RFU
1	X	Digital Test signal

Table 21-1 Signal routed to MFOUT pin

Note: The routing of the Manchester and the Manchester with Subcarrier signal to the MFOUT is only possible at 106 kbaud according to ISO14443A.

Multiple Protocol Contactless Reader IC

CL RC632

21.2.1 TX-CONTROL

The following plot shows as an example an ISO14443 A related communication.

The signal measured at MFOUT using the serial signal switch to control the data sent to the card .Setting the flag *MFOUTSelect* to 3 data sent to the card is shown NRZ coded. *MFOUTSelect* set to 2 shows the Miller coded signal.

The RFout signal is measured directly on the antenna showing the pulse shape of the RF signal. For detail information concerning the pulse of the RF signal please refer to the application note '*MIFARE® Design of MF RC 500 Matching Circuits and Antennas*'

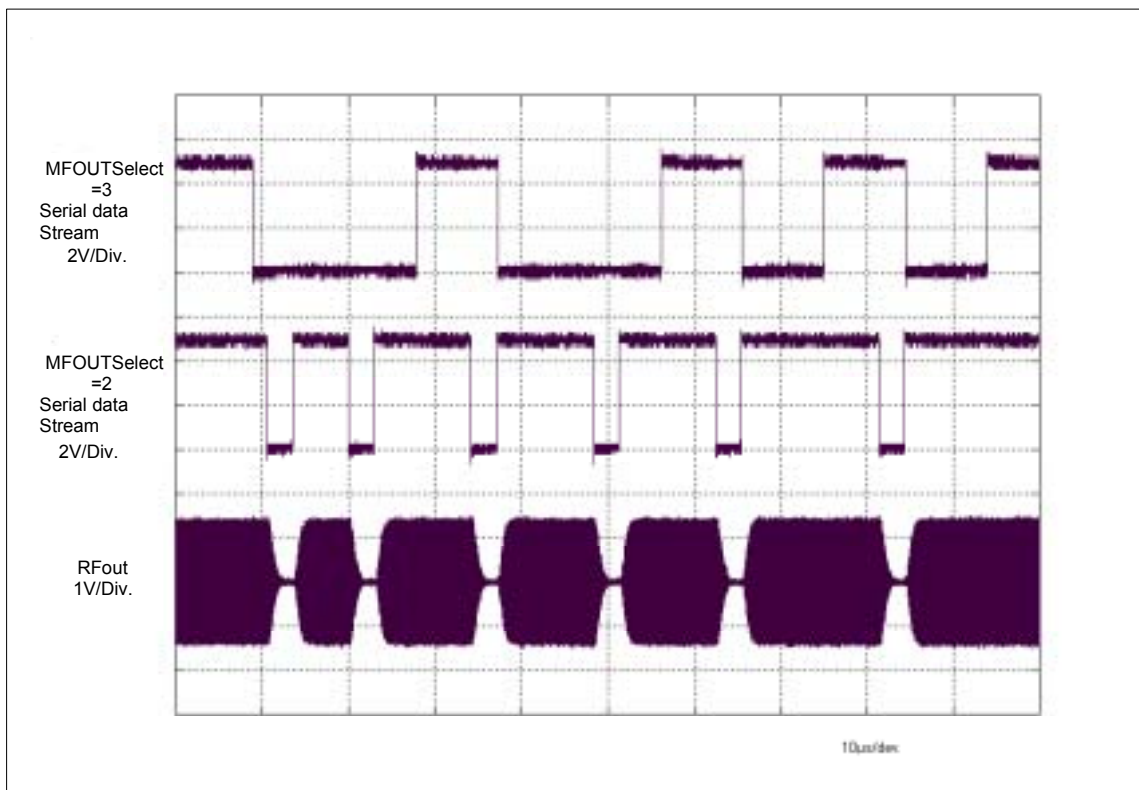


Figure 21 TX Control Signals

Multiple Protocol Contactless Reader IC

CL RC632

21.2.2 RX-CONTROL

The following plot shows as an example an ISO14443 A related communication.

The following plot shows the beginning of a cards answer to a request signal. The signal RF shows the RF voltage measured directly on the antenna so that the cards load modulation is visible. *MFOUTSelect* set to 4 shows the Manchester decoded signal with subcarrier. *MFOUTSelect* set to 5 shows the Manchester decoded signal.

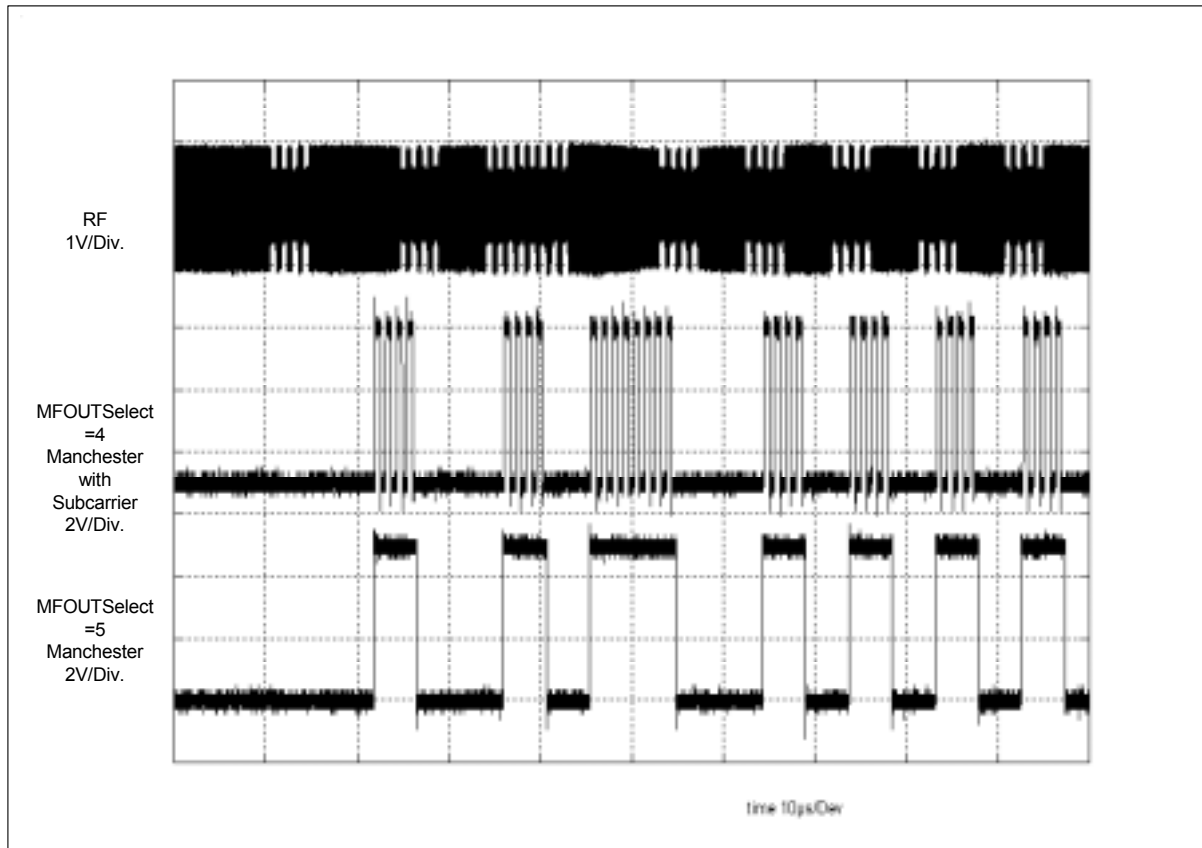


Figure 22 RX Control Signals

Multiple Protocol Contactless Reader IC

CL RC632

21.3 Analog Test-Signals

The analog test signals may be routed to pin AUX by selecting them with the register bits *TestAnaOutSel*.

Value	Signal Name	Description
0	V_{mid}	Voltage at internal node V_{mid}
1	$V_{bandgap}$	Internal reference voltage generated by the band gap.
2	V_{RxFOll}	Output signal from the demodulator using the I-clock.
3	$V_{RxFOllQ}$	Output signal from the demodulator using the Q-clock.
4	V_{RxAmpl}	I-channel subcarrier signal amplified and filtered.
5	$V_{RxAmplQ}$	Q-channel subcarrier signal amplified and filtered.
6	V_{CorrNI}	Output signal of N-channel correlator fed by the I-channel subcarrier signal.
7	V_{CorrNQ}	Output signal of N-channel correlator fed by the Q-channel subcarrier signal.
8	V_{CorrDI}	Output signal of D-channel correlator fed by the I-channel subcarrier signal.
9	V_{CorrDQ}	Output signal of D-channel correlator fed by the Q-channel subcarrier signal.
A	V_{EvalL}	Evaluation signal from the left half bit.
B	V_{EvalR}	Evaluation signal from the right half bit.
C	V_{Temp}	Temperature voltage derived from band gap.
D	rfu	Reserved for future use
E	rfu	Reserved for future use
F	rfu	Reserved for future use

Table 21-2: Analog Test Signal Selection

Multiple Protocol Contactless Reader IC

CL RC632

21.4 Digital Test-Signals

Digital test signals may be routed to pin MFOUT by setting bit *SignalToMFOUT* to 1. A digital test signal may be selected via the register bits *TestDigiSignalSel* in Register *TestDigiSelect*.

The signals selected by a certain *TestDigiSignalSel* setting is shown in the table below:

TestDigiSignalSel	Signal Name	Description
F4 _{hex}	s_data	Data received from the card.
E4 _{hex}	s_valid	Shows with 1, that the signals s_data and s_coll are valid.
D4 _{hex}	s_coll	Shows with 1, that a collision has been detected in the current bit.
C4 _{hex}	s_clock	Internal serial clock: during transmission, this is the coder-clock and during reception this is the receiver clock.
B5 _{hex}	rd_sync	Internal synchronised read signal (derived from the parallel μ -Processor interface).
A5 _{hex}	wr_sync	Internal synchronised write signal (derived from the parallel μ -Processor interface).
96 _{hex}	int_clock	Internal 13.56 MHz clock.
83 _{hex}	BPSK_out	BPSK signal output
E2 _{hex}	BPSK_sig	BPSK signal's amplitude detected
00 _{hex}	no test signal	output as defined by <i>MFOUTSelect</i> are routed to pin MFOUT.

Table 21-3: Digital Test Signal Selection

If no test signals are used, the value for the *TestDigiSelect-Register* shall be 00_{hex}.

Note: All other values of *TestDigiSignalSel* are for production test purposes only.

Multiple Protocol Contactless Reader IC

CL RC632

21.5 Examples of ISO14443A Analog- and Digital Test Signals

Fig. 22 shows a MIFARE® Classic Card's answer to a request command using the Qclock receiving path.

RX –Reference is given to show the Manchester modulated signal at the RX pin. This signal is demodulated and amplified in the receiver circuitry VRxAmpQ shows the amplified side band signal having used the Q-Clock for demodulation. The signals VCorrDQ and VCorrNQ generated in the correlation circuitry are evaluated and digitised in the evaluation and digitizer circuitry. VEvalR and VEvalL show the evaluation signal of the right and left half bit. Finally, the digital test-signal S_data shows the received data which is sent to the internal digital circuit and S_valid indicates that the received data stream is valid.

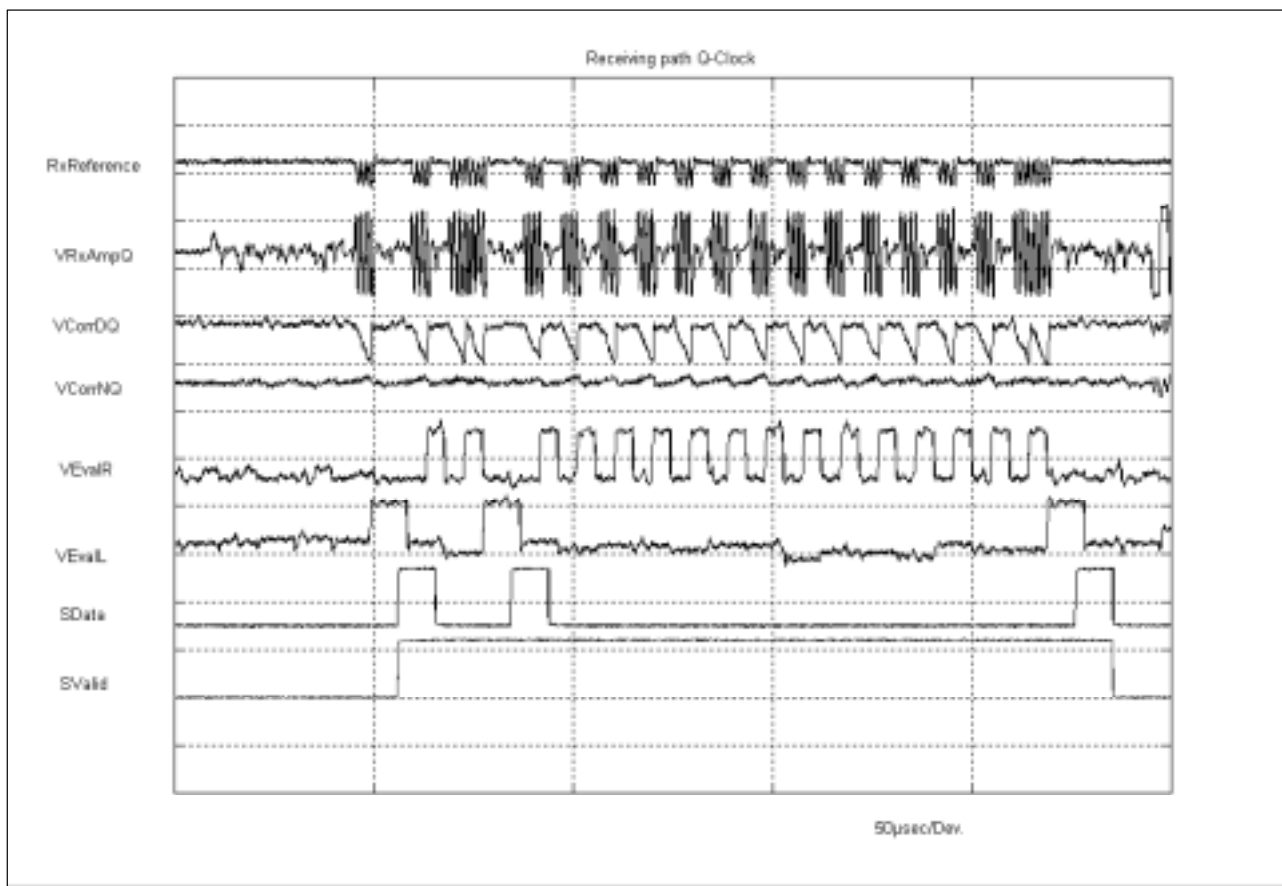


Figure 23. Receiving path Q-Clock

Multiple Protocol Contactless Reader IC

CL RC632

21.6 Examples of I²CODE1 Analog- and Digital Test Signals

Fig. 17 shows the answer of an I²CODE1 Label IC to a unselected read command using the Qclock receiving path.

RX –Reference is given to show the Manchester modulated signal at the RX pin. This signal is demodulated and amplified in the receiver circuitry VRxAmpQ shows the amplified side band signal having used the Q-Clock for demodulation. The signals VCorrDQ and VCorrNQ generated in the correlation circuitry are evaluated and digitised in the evaluation and digitizer circuitry. VEvalR and VEvalL show the evaluation signal of the right and left half bit. Finally, the digital test-signal S_data shows the received data which is send to the internal digital circuit and S_valid indicates that the received data stream is valid.

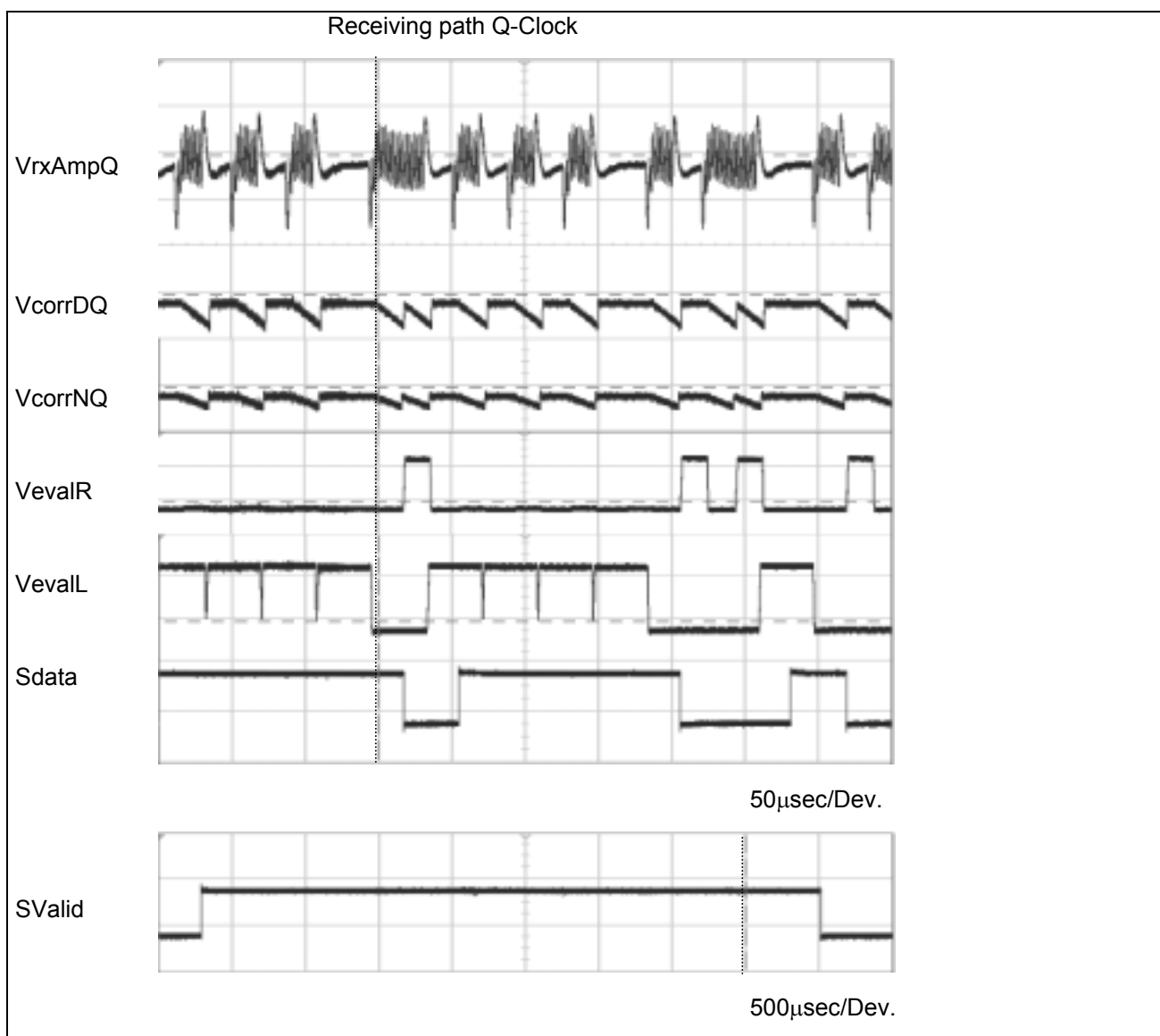


Figure 24. Receiving path Q-Clock

Multiple Protocol Contactless Reader IC

CL RC632

22 ELECTRICAL CHARACTERISTICS

22.1 Absolute Maximum Ratings

SYMBOL	PARAMETER	MIN	MAX	UNIT
$T_{amb,abs}$	Ambient or Storage Temperature Range	-40	+150	°C
DVDD AVDD TVDD	DC Supply Voltages	-0.5	6	V
$V_{in,abs}$	Absolute voltage on any digital pin to DVSS	-0.5	DVDD + 0.5	V
$V_{RX,abs}$	Absolute voltage on RX pin to AVSS	-0.5	AVDD + 0.5	V

Table 22-1: Absolute Maximum Ratings

22.2 Operating Condition Range

SYMBOL	PARAMETER	CONDITIONS	MIN	TYP	MAX	UNIT
T_{amb}	Ambient Temperature	-	-25	+25	+85	°C
DVDD	Digital Supply Voltage	DVSS = AVSS = TVSS = 0V	3.0	3.3	3.6	V
			4.5	5.0	5.5	V
AVDD	Analog Supply Voltage	DVSS = AVSS = TVSS = 0V	4.5	5.0	5.5	V
TVDD	Transmitter Supply Voltage	DVSS = AVSS = TVSS = 0V	3.0	5.0	5.5	V

Table 22-2: Operating Condition Range

22.3 Current Consumption

SYMBOL	PARAMETER	CONDITIONS	MIN	TYP	MAX	UNIT
I_{DVDD}	Digital Supply Current	Idle Command		6	9	mA
		Stand By Mode		3	5	mA
		Soft Power Down Mode		800	1000	µA
		Hard Power Down Mode		1	10	µA
I_{AVDD}	Analog Supply Current	Idle Command, Receiver On		25	40	mA
		Idle Command, Receiver Off		8	12	mA
		Stand By Mode		6.5	9	mA
		Soft Power Down Mode		1	10	µA
		Hard Power Down Mode		1	10	µA
I_{TVDD}	Transmitter Supply Current	Continuous Wave			150	mA
		TX1 and TX2 unconnected $TX1RFEn, TX2RFEn = 1$		4.5	6	mA
		TX1 and TX2 unconnected $TX1RFEn, TX2RFEn = 0$		65	130	µA

Table 22-3: Current Consumption

Multiple Protocol Contactless Reader IC

CL RC632

22.4 Pin Characteristics

22.4.1 INPUT PIN CHARACTERISTICS

Pins D0 to D7, A0, and A1 have TTL input characteristics and behave as defined in the following table.

SYMBOL	PARAMETER	CONDITIONS	MIN	MAX	UNIT
I_{Leak}	Input Leakage Current		-1.0	+1.0	μA
V_T	Threshold	CMOS: DVDD < 3.6 V	0.35 DVDD	0.65 DVDD	V
		TTL: 4.5 < DVDD	0.8	2.0	V

Table 22-4: Standard Input Pin Characteristics

The digital input pins NCS, NWR, NRD, ALE, A2, and MFIN have Schmitt-Trigger characteristics, and behave as defined in the following table.

SYMBOL	PARAMETER	CONDITIONS	MIN	MAX	UNIT
I_{Leak}	Input Leakage Current		-1.0	+1.0	μA
V_{T+}	Positive-Going Threshold	TTL: 4.5 < DVDD	1.4	2.0	V
		CMOS: DVDD < 3.6 V	0.65 DVDD	0.75 DVDD	V
V_{T-}	Negative-Going Threshold	TTL: 4.5 < DVDD	0.8	1.3	V
		CMOS: DVDD < 3.6 V	0.25 DVDD	0.4 DVDD	V

Table 22-5: Schmitt-Trigger Input Pin Characteristics

Pin RSTPD has Schmitt-Trigger CMOS characteristics. In addition, it is internally filtered with an RC-low-pass filter, which causes a relevant propagation delay for the reset signal:

SYMBOL	PARAMETER	CONDITIONS	MIN	MAX	UNIT
I_{Leak}	Input Leakage Current		-1.0	+1.0	μA
V_{T+}	Positive-Going Threshold	CMOS: DVDD < 3.6 V	0.65 DVDD	0.75 DVDD	V
V_{T-}	Negative-Going Threshold	CMOS: DVDD < 3.6 V	0.25 DVDD	0.4 DVDD	V
$t_{RSTPD,p}$	Propagation Delay			20	μs

Table 22-6: RSTPD Input Pin Characteristics

The analog input pin RX has the following input capacitance:

SYMBOL	PARAMETER	CONDITIONS	MIN	MAX	UNIT
C_{RX}	Input Capacitance			15	pF

Table 22-7: RX Input Capacitance

The analog input pin RX has the following input voltage range:

SYMBOL	PARAMETER	CONDITIONS	MIN	MAX	UNIT
$V_{IN,RX}$	Dynamical Voltage input range	AVDD=5V, T=25°C	1,1V	4,4	V

Table 22-8: RX Input voltage range

Multiple Protocol Contactless Reader IC

CL RC632

22.4.2 DIGITAL OUTPUT PIN CHARACTERISTICS

Pins D0 to D7, MFOUT and IRQ have CMOS output characteristics and behave as defined in the following table.

SYMBOL	PARAMETER	CONDITIONS	MIN	TYP	MAX	UNIT
V _{OH}	Output Voltage HIGH	DVDD = 5 V, I _{OH} = -1 mA	2.4	4.9		V
		DVDD = 5 V, I _{OH} = -10 mA	2.4	4.2		V
V _{OL}	Output Voltage LOW	DVDD = 5 V, I _{OL} = 1 mA		25	400	mV
		DVDD = 5 V, I _{OL} = 10 mA		250	400	mV
I _o	Output Current source or sink	DVDD = 5 V			10	mA

Table 22-8: Digital Output Pin Characteristics

Note: IRQ pin may also be configured as open collector. In that case the values for V_{OH} do not apply.

22.4.3 ANTENNA DRIVER OUTPUT PIN CHARACTERISTICS

The source conductance of the antenna driver pins TX1 and TX2 for driving the HIGH level can be configured via GsCf_{gCW} in the CwConductance Register, while their source conductance for driving the LOW level is constant.

For the default configuration, the output characteristic is specified below:

SYMBOL	PARAMETER	CONDITIONS	MIN	TYP	MAX	UNIT
V _{OH}	Output Voltage HIGH	TVDD = 5.0 V, I _{OL} = 20 mA		4.97		V
		TVDD = 5.0 V, I _{OL} = 100 mA		4.85		V
V _{OL}	Output Voltage LOW	TVDD = 5.0 V, I _{OL} = 20 mA		30		mV
		TVDD = 5.0 V, I _{OL} = 100 mA		150		mV
I _{TX}	Transmitter Output Current	Continuous Wave			200	mA _{peak}

Table 22-9: Antenna Driver Output Pin Characteristics

Multiple Protocol Contactless Reader IC

CL RC632

22.5 AC Electrical Characteristics

22.5.1 AC SYMBOLS

Each timing symbol has five characters. The first character is always 't' for time. The other characters indicate the name of a signal or the logic state of that signal (depending on position):

Designation:	Signal:	Designation:	Logic Level:
A	address	H	HIGH
D	data	L	LOW
W	NWR or nWait	Z	high impedance
R	NRD or R/NW or nWrite	X	any level or data
L	ALE or AS	V	any valid signal or data
C	NCS	N	NSS
S	NDS or nDStrb and nAStrb, SCK		

Example: t_{AVLL} = time for address valid to ALE low

Multiple Protocol Contactless Reader IC

CL RC632

22.5.2 AC OPERATING SPECIFICATION

22.5.2.1 Bus Timing for Separated Read/Write Strobe

SYMBOL	PARAMETER	MIN	MAX	UNIT
t_{LHLL}	ALE pulse width	20		ns
t_{AVLL}	Multiplexed Address Bus valid to ALE low (Address Set Up Time)	15		ns
t_{LLAX}	Multiplexed Address Bus valid after ALE low (Address Hold Time)	8		ns
t_{LLWL}	ALE low to NWR, NRD low	15		ns
t_{CLWL}	NCS low to NRD, NWR low	0		ns
t_{WHCH}	NRD, NWR high to NCS high	0		ns
t_{RLDV}	NRD low to DATA valid		65	ns
t_{RHDZ}	NRD high to DATA high impedance		20	ns
t_{WLDV}	NWR low to DATA valid		35	ns
t_{WHDX}	DATA hold after NWR high (Data Hold Time)	8		ns
t_{WLWH}	NRD, NWR pulse width	65		ns
t_{AVWL}	Separated Address Bus valid to NRD, NWR low (Set Up Time)	30		ns
t_{WHAX}	Separated Address Bus valid after NWR high (Hold Time)	8		ns
t_{WHWL}	period between sequenced read / write accesses	150		ns

Table 22-10: Timing Specification for Separated Read/Write Strobe

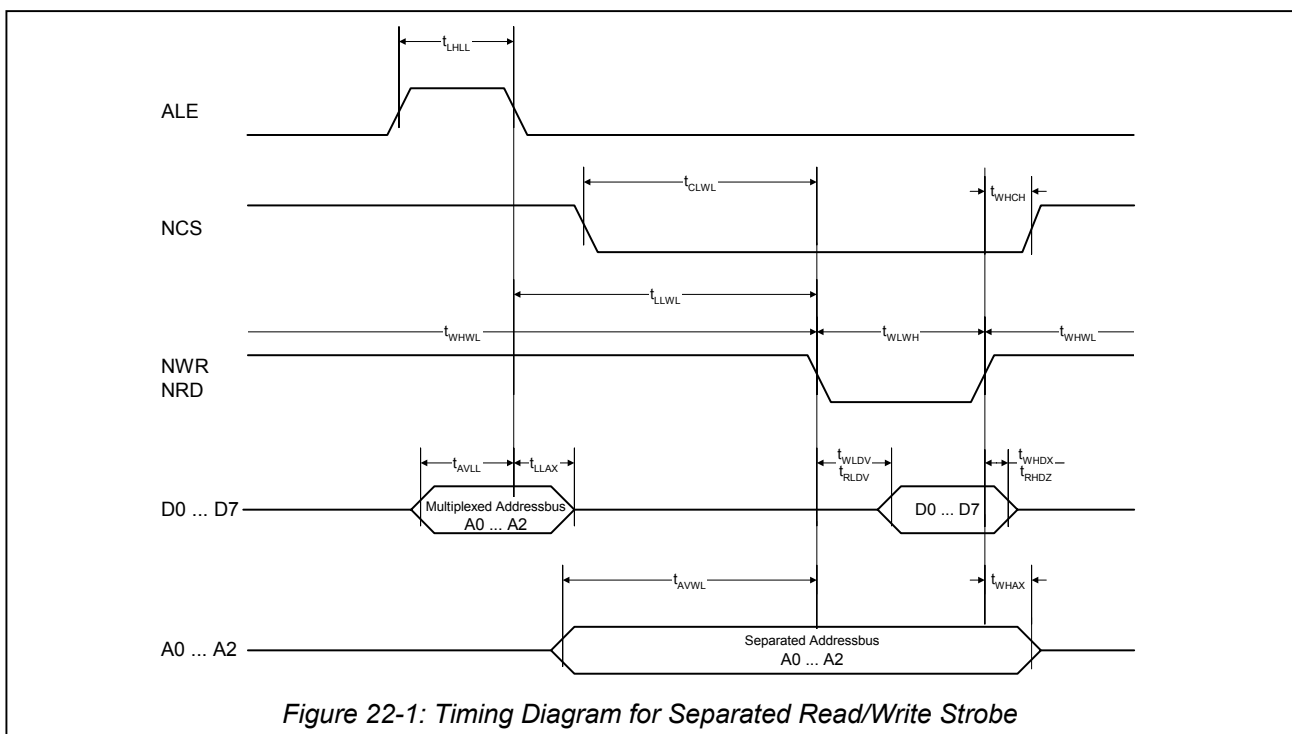


Figure 22-1: Timing Diagram for Separated Read/Write Strobe

Note: For separated address and data bus the signal ALE is not relevant and the multiplexed addresses on the data bus don't care.

For the multiplexed address and data bus the address lines A0 to A2 have to be connected as described in 4.3.

Multiple Protocol Contactless Reader IC

CL RC632

22.5.2.2 Bus Timing for Common Read/Write Strobe

SYMBOL	PARAMETER	MIN	MAX	UNIT
t_{LHLL}	AS pulse width	20		ns
t_{AVLL}	Multiplexed Address Bus valid to AS low (Address Set Up Time)	15		ns
t_{LLAX}	Multiplexed Address Bus valid after AS low (Address Hold Time)	8		ns
t_{LLSL}	AS low to NDS low	15		ns
t_{CLSL}	NCS low to NDS low	0		ns
t_{SHCH}	NDS high to NCS high	0		ns
$t_{SLDV,R}$	NDS low to DATA valid (for read cycle)		65	ns
t_{SHDZ}	NDS low to DATA high impedance (read cycle)		20	ns
$t_{SLDV,W}$	NDS low to DATA valid (for write cycle)		35	ns
t_{SHDX}	DATA hold after NDS high (write cycle, Hold Time)	8		ns
t_{SHRX}	R/NW hold after NDS high	8		ns
t_{SLSH}	NDS pulse width	65		ns
t_{AVSL}	Separated Address Bus valid to NDS low (Hold Time)	30		ns
t_{SHAX}	Separated Address Bus valid after NDS high (Set Up Time)	8		ns
t_{SHSL}	period between sequenced read/write accesses	150		ns
t_{RVSL}	R/NW valid to NDS low	8		ns

Table 22-11: Timing Specification for Common Read/Write Strobe

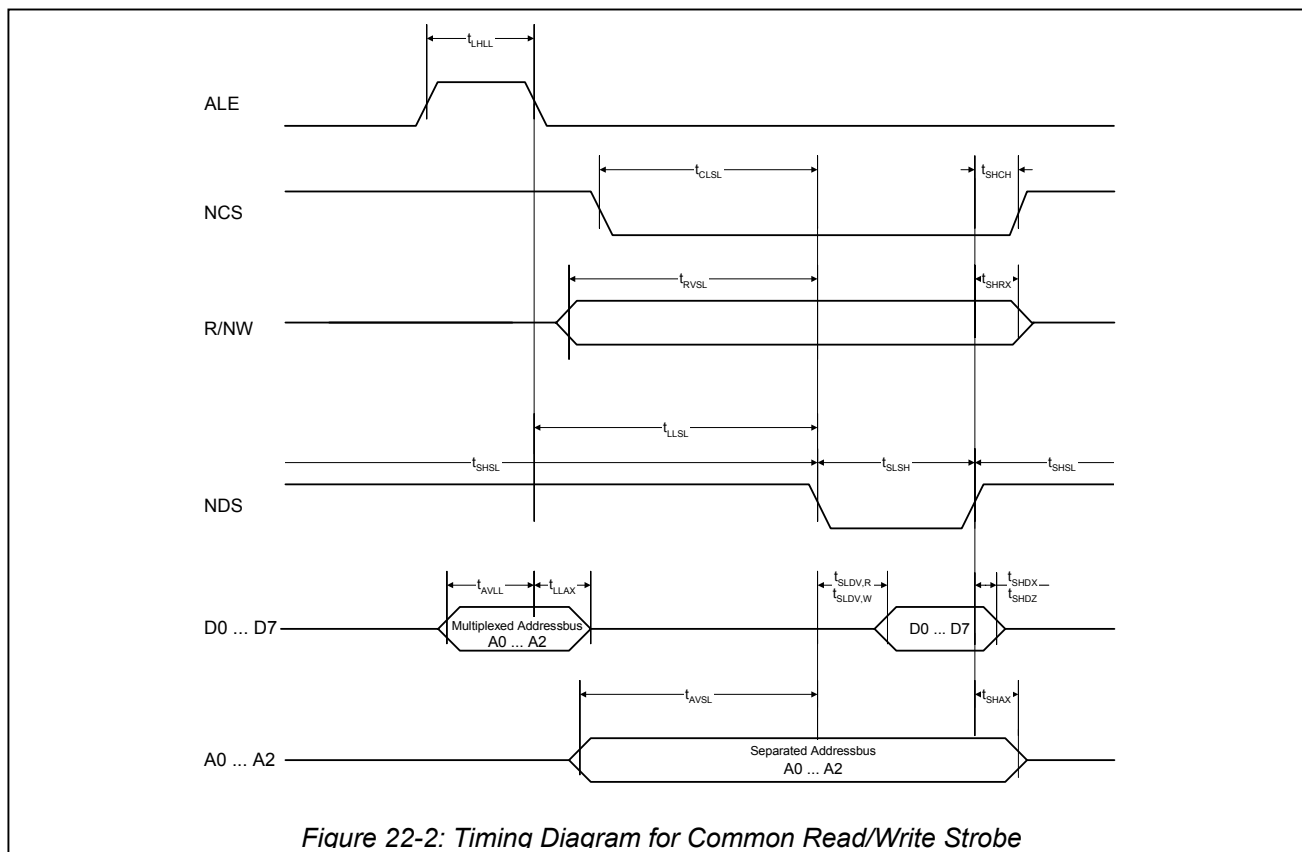


Figure 22-2: Timing Diagram for Common Read/Write Strobe

Note: For separated address and data bus the signal ALE is not relevant and the multiplexed addresses on the data bus don't care. For the multiplexed address and data bus the address lines A0 to A2 have to be connected as described in 4.3.

Multiple Protocol Contactless Reader IC

CL RC632

22.5.2.3 Bus Timing for EPP

SYMBOL	PARAMETER	MIN	MAX	UNIT
t_{LLH}	nASt rb pulse width	20		ns
t_{AVLH}	Multiplexed Address Bus valid to nASt rb high (Set Up Time)	15		ns
t_{LHAX}	Multiplexed Address Bus valid after nASt rb high (Hold Time)	8		ns
t_{CLSL}	NCS low to nDSt rb low	0		ns
t_{SHCH}	nDSt rb high to NCS high	0		ns
$t_{SLDV,R}$	nDSt rb low to DATA valid (read cycle)		65	ns
t_{SHDZ}	nDSt rb low to DATA high impedance (read cycle)		20	ns
$t_{SLDV,W}$	nDSt rb low to DATA valid (write cycle, Set up Time)		35	ns
t_{SHDX}	DATA hold after nDSt rb high (write cycle, Hold Time)	8		ns
t_{SHRX}	nWrite hold after nDSt rb high	8		ns
t_{SLSH}	nDSt rb pulse width	65		ns
t_{RVSL}	nWrite valid to nDSt rb low	8		ns
t_{SLWH}	nDSt rb low to nWait high		75	ns
t_{SHWL}	nDSt rb high to nWait low		75	ns

Table 22-12: Timing Specification for Common Read/Write Strobe

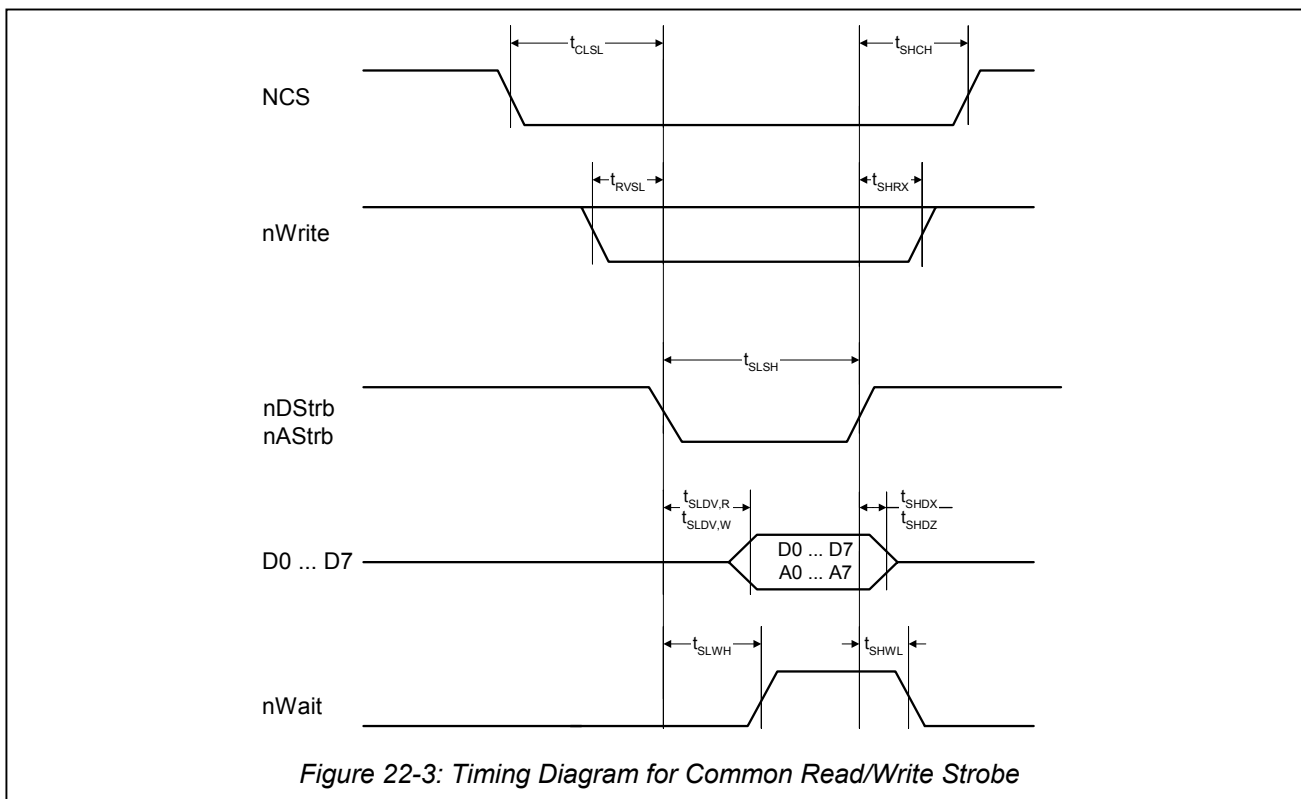


Figure 22-3: Timing Diagram for Common Read/Write Strobe

Remark: The figure does not distinguish between the Address Write Cycle and a Data Write Cycle. Take in account, that timings for the Address Write and Data Write Cycle are different. For the EPP-Mode the address lines A0 to A2 have to be connected as described in 4.3.

Multiple Protocol Contactless Reader IC

CL RC632

22.5.2.4 Timing for SPI compatible interface

SYMBOL	PARAMETER	MIN	MAX	UNIT
t_{SCKL}	SCK low pulse width	100		ns
t_{SCKH}	SCK high pulse width	100		ns
t_{SHDX}	SCK high to data changes	20		ns
t_{DXSH}	data changes to SCK high	20		ns
t_{SLDX}	SCK low to data changes		15	ns
t_{SLNH}	SCK low to NSS high	20		ns

Table 22-13 Timing Specification for SPI

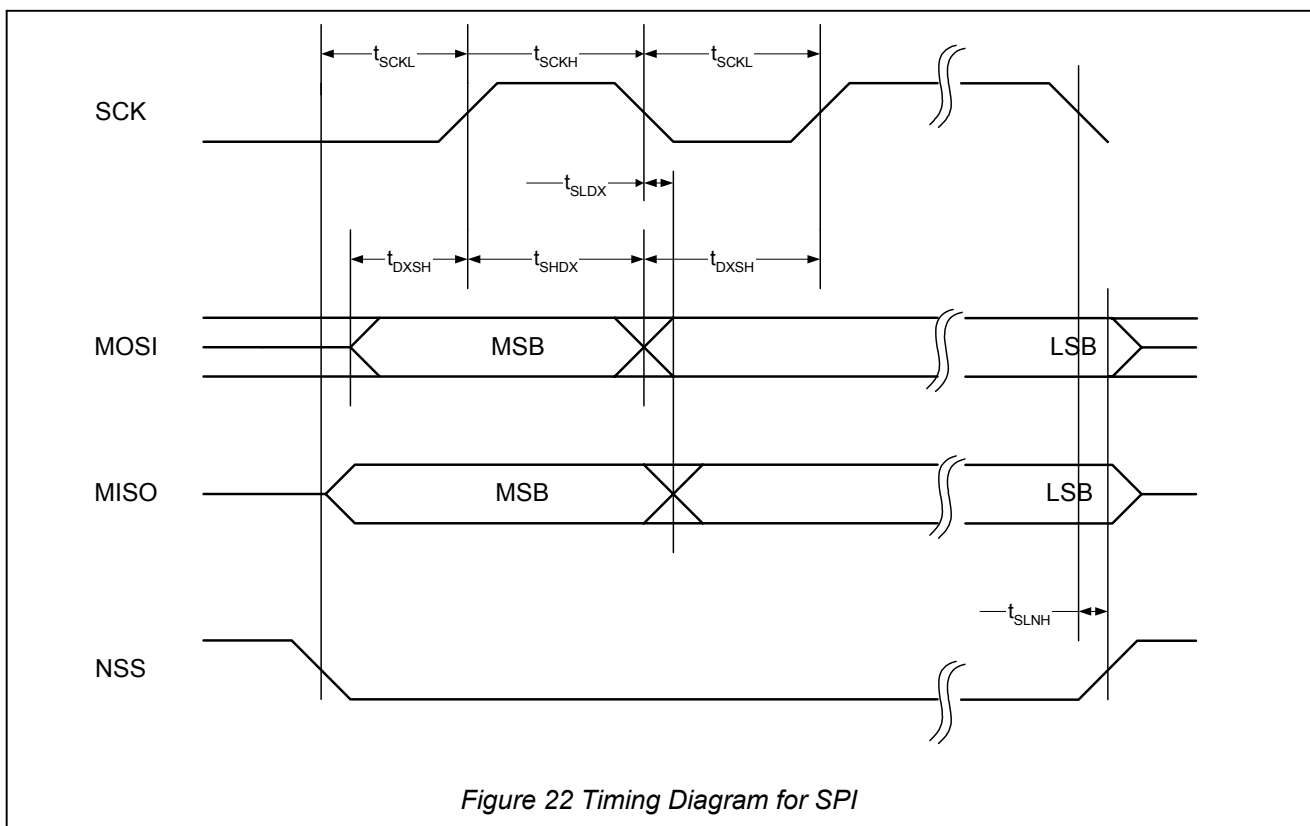


Figure 22 Timing Diagram for SPI

Note: To send more than bytes in one datastream the NSS signal has to low all the time.
 To send more than one datastream NSS has to be set to HIGH level in between the datastreams.

Multiple Protocol Contactless Reader IC**CL RC632**

22.5.3 CLOCK FREQUENCY

The clock input is pin 1, OSCIN.

PARAMETER	SYMBOL	MIN	TYP	MAX	UNIT
Clock Frequency (checked by the clock filter)	f_{OSCIN}		13.56		MHz
Duty Cycle of Clock Frequency	d_{FEC}	40	50	60	%
Jitter of Clock Edges	t_{jitter}			10	ps

The clock applied to the CL RC632 acts as time basis for the coder and decoder of the synchronous system. Therefore stability of clock frequency is an important factor for proper performance. To obtain highest performance, clock jitter shall be as small as possible. This is best achieved using the internal oscillator buffer with the recommended circuitry (see 12).

Multiple Protocol Contactless Reader IC

CL RC632

23 E²PROM CHARACTERISTICS

The E²PROM has a size of 32x16x8 = 4.096 bit.

SYMBOL	PARAMETER	CONDITIONS	MIN	MAX	UNIT
t _{EEEndurance}	Data Endurance		100.000		erase/write cycles
t _{EERetention}	Data Retention	T _{amb} ≤ 55°C	10		years
t _{EEErise}	Erase Time			2.9	ms
t _{EEWrite}	Write Time			2.9	ms

Table 23-1: E²PROM Characteristics

Multiple Protocol Contactless Reader IC**CL RC632**

24 ESD SPECIFICATION

To ensure the usage of the CL RC632 during production the ICs is specified as described in the following table.

TEST	NAME	CONDITIONS	MAX
ESDH	ESD Susceptibility (Human body model)	1500 Ω , 100 pF	1 kV
ESDM	ESD Susceptibility (Machine model)	0.75 μ H, 200 pF	100 V

Table 24-1. ESD Specification

Multiple Protocol Contactless Reader IC

CL RC632

25 PACKAGE OUTLINES

25.1 SO32

SO32: plastic small outline package; 32 leads; body width 7.5 mm

SOT287-1

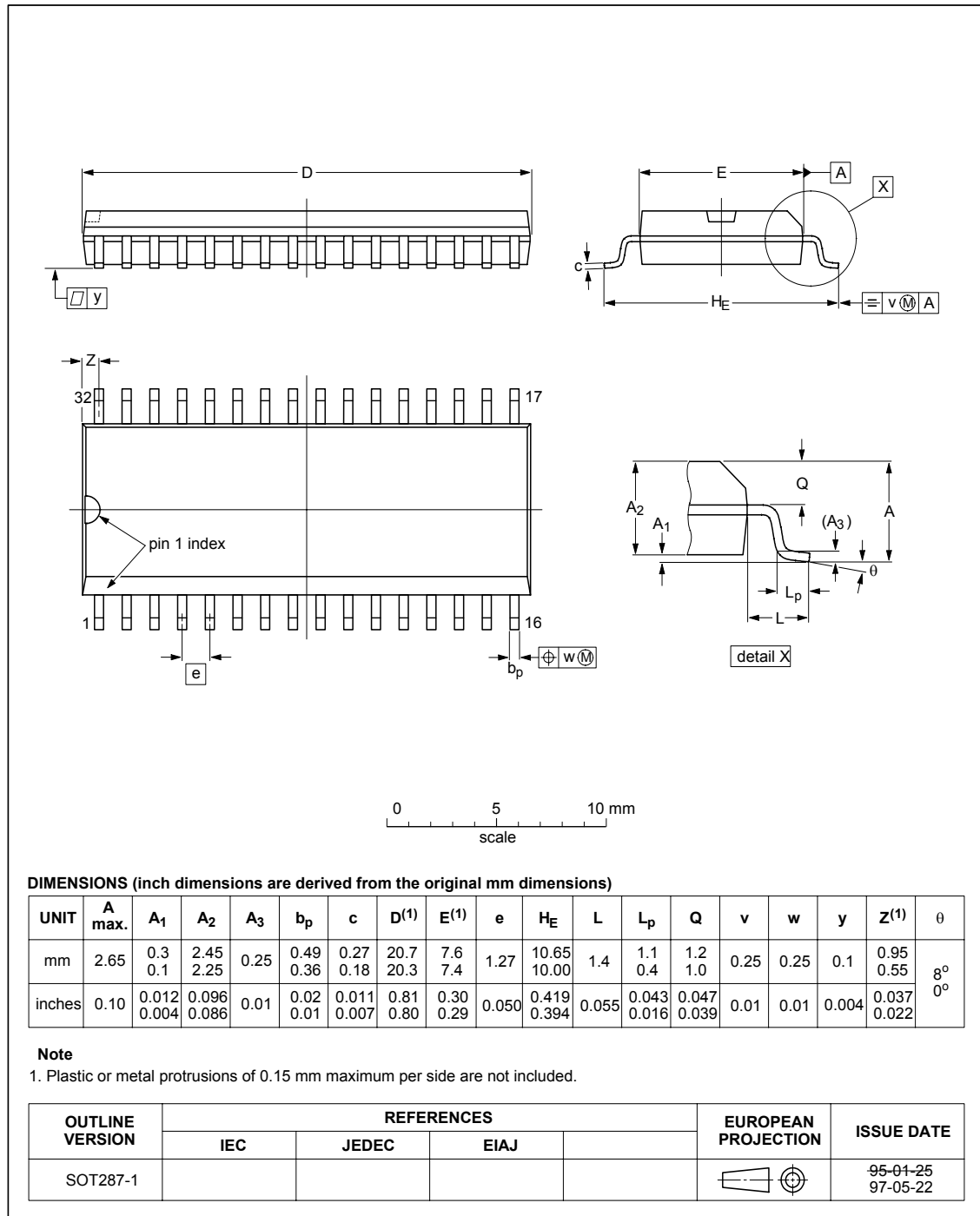


Figure 255-1: Outline and Dimension of CL RC632 in SO32

Multiple Protocol Contactless Reader IC

CL RC632

Definitions

Data sheet status	
Objective specification	This data sheet contains target or goal specifications for product development.
Preliminary specification	This data sheet contains preliminary data; supplementary data may be published later.
Product specification	This data sheet contains final product specifications.
Limiting values	
Limiting values given are in accordance with the Absolute Maximum Rating System (IEC 134). Stress above one or more of the limiting values may cause permanent damage to the device. These are stress ratings only and operation of the device at these or at any other conditions above those given in the Characteristics section of the specification is not implied. Exposure to limiting values for extended periods may affect device reliability.	
Application information	
Where application information is given, it is advisory and does not form part of the specification.	

26 DISCLAIMERS

26.1 Life support applications

These products are not designed for use in life support appliances, devices, or systems where malfunction of these products can reasonably be expected to result in personal injury. Philips customers using or selling these products for use in such applications do so on their own risk and agree to fully indemnify Philips for any damages resulting from such improper use or sale.

26.2 Licence Policy

Purchase of this Philips IC with a functionally according to ISO/IEC 15693 Standard does not convey an implied license under any patent right on this standard. A license for the Philips portfolio of patents on the ISO/IEC 15693 Standard can be obtained via the Philips Intellectual Property and Standards department. For more information please contact the nearest Philips Semiconductors sales office.

27 REVISION HISTORY

27.1 Update from Revision 2.0 to Revision 3.0

The whole document was editorially revised. New phrasings and additional descriptions have been added. The table below refers to relevant changes in content.

Chapter	Description
5.2.4.2	Added Bits 4-3: 'ISO Selection'
22.4.1	Chapter 'Input Pin characteristics': dynamical input voltage range for RX pin added

Table 0-1: Update from Revision 2.0 to Revision 3.0

27.2 Versions Up to Revision 3.0

REVISION	DATE	CPCN	PAGE	DESCRIPTION
3.0	November2002	-		first published version
2.0	June 2002	-		second published version
1.0	January2002	-		internal version

Table 0-2: Document Revision History

Philips Semiconductors - a worldwide company

Contact Information

For additional information please visit <http://www.semiconductors.philips.com>. Fax: +31 40 27 24825

For sales offices addresses send e-mail to: sales.addresses@www.semiconductors.philips.com.

© Koninklijke Philips Electronics N.V. 2002

SCA74

All rights are reserved. Reproduction in whole or in part is prohibited without the prior written consent of the copyright owner.

The information presented in this document does not form part of any quotation or contract, is believed to be accurate and reliable and may be changed without any notice. No liability will be accepted by the publisher for any consequence of its use. Publication thereof does not convey nor imply any license under patent- or other industrial or intellectual property rights.

Let's make things better.

**Philips
Semiconductors**



PHILIPS