

PLEASE CHECK WWW.MOLEX.COM FOR LATEST PART INFORMATION

Part Number: [0878910606](#)
Status: **Active**
Overview: [kk](#)
Description: 2.54mm (.100") Pitch KK® Header, Through Hole, Breakaway, Vertical, 6 Circuits, 2.50µm (100µ") Tin (Sn) Overall Plating, Tray Packaging, Lead-free

Documents:

[3D Model](#) [Product Specification PS-87920-019 \(PDF\)](#)
[Drawing \(PDF\)](#) [RoHS Certificate of Compliance \(PDF\)](#)

General

Product Family PCB Headers
 Series [87891](#)
 Application Board-to-Board, Wire-to-Board
 Overview [kk](#)
 Product Name KK®

Physical

Breakaway Yes
 Circuits (Loaded) 6
 Circuits (maximum) 6
 Color - Resin Black
 First Mate / Last Break No
 Glow-Wire Compliant No
 Guide to Mating Part No
 Keying to Mating Part None
 Lock to Mating Part None
 Mated Height (in) 0.230 In
 Mated Height (mm) 5.84 mm
 Material - Metal Copper Alloy
 Material - Plating Mating Tin
 Material - Plating Termination Nickel
 Material - Resin Nylon
 Number of Rows 1
 Orientation Vertical
 PC Tail Length (in) 0.117 In
 PC Tail Length (mm) 2.97 mm
 PCB Locator No
 PCB Retention None
 PCB Thickness Recommended (in) 0.063 In
 PCB Thickness Recommended (mm) 1.60 mm
 Packaging Type Tray
 Pitch - Mating Interface (in) 0.100 In
 Pitch - Mating Interface (mm) 2.54 mm
 Pitch - Term. Interface (in) 0.100 In
 Pitch - Term. Interface (mm) 2.54 mm
 Plating min: Mating (µin) 100
 Plating min: Mating (µm) 2.54
 Plating min: Termination (µin) 50
 Plating min: Termination (µm) 1.27
 Polarized to Mating Part No
 Polarized to PCB No
 Shrouded No
 Stackable No
 Temperature Range - Operating -55°C to +105°C
 Termination Interface: Style Through Hole

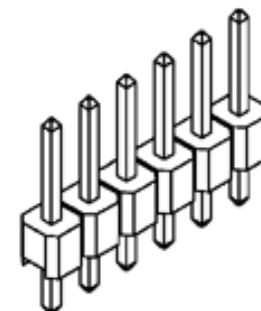


image - Reference only

Series

EU RoHS

ELV and RoHS Compliant
REACH SVHC
 Not Reviewed
Halogen-Free Status
Not Reviewed

China RoHS



Need more information on product environmental compliance?

Email productcompliance@molex.com
 For a multiple part number RoHS Certificate of Compliance, [click here](#)

Please visit the [Contact Us](#) section for any non-product compliance questions.

Search Parts in this Series

[87891Series](#)

Mates With

KK® PCB Receptacles [4455](#). SL™ IDT Housings [70430](#) , [7720](#), [70400](#). C-Grid® PCB Receptacles [90147](#), [90148](#)

Electrical

Current - Maximum per Contact	3A
Voltage - Maximum	250V

Solder Process Data

Duration at Max. Process Temperature (seconds)	12
Lead-free Process Capability	Wave Capable (TH only)
Max. Cycles at Max. Process Temperature	1
Process Temperature max. C	260

Material Info**Reference - Drawing Numbers**

Packaging Specification	PK-89990-489
Product Specification	PS-87920-019
Sales Drawing	SD-87891-013

This document was generated on 05/25/2010

PLEASE CHECK WWW.MOLEX.COM FOR LATEST PART INFORMATION

10 9 8 7 6 5 4 3 2 1

F

F

E

E

D

D

C

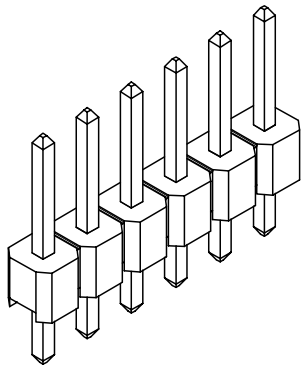
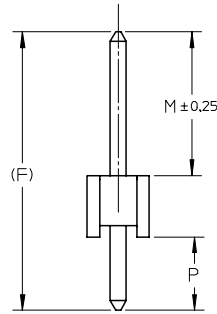
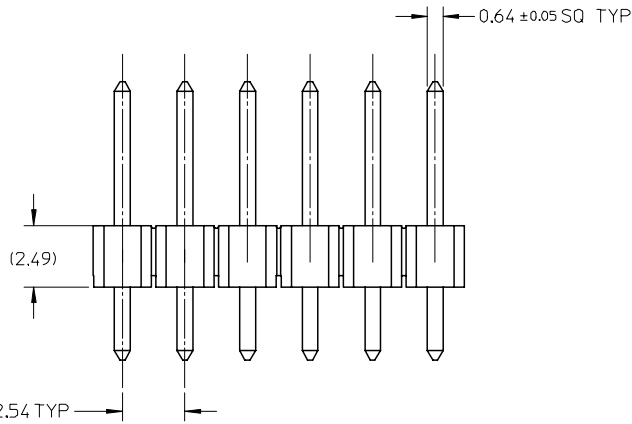
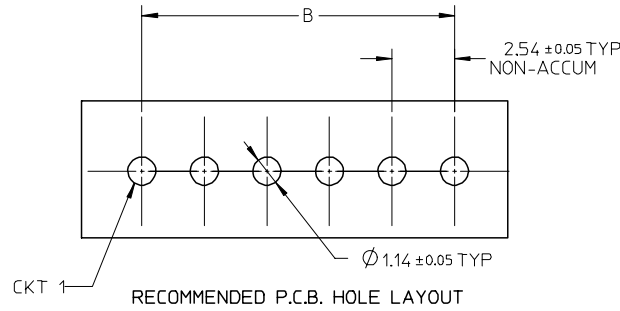
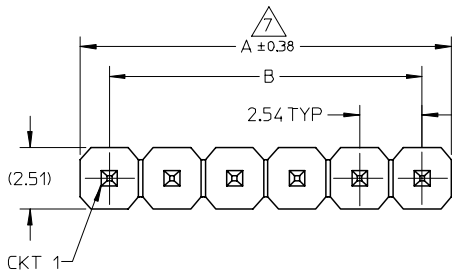
C

B

B

A

A



NOTES

1. MATERIAL:
 - HSG: NYLON, GLASS-FILLED, UL94V-0 COLOR: BLACK
 - PIN: 0.64MM SQ, COPPER ALLOY
2. PLATING TYPE:
 - (1) GOLD FLASH OVER
1.270µm MIN. NICKEL OVERALL.
 - (2) GOLD FLASH ON CONTACT AND
1.905µm MIN. TIN ON SOLDER TAIL OVER
1.270µm MIN. NICKEL OVERALL.
 - (3) 0.254µm MIN. GOLD PLATE ON CONTACT AND
1.905µm MIN. TIN ON SOLDER TAIL OVER
1.270µm MIN. NICKEL OVERALL.
 - (4) 0.381µm MIN. GOLD PLATE ON CONTACT AND
1.905µm MIN. TIN ON SOLDER TAIL OVER
1.270µm MIN. NICKEL OVERALL.
 - (5) 0.762µm MIN. GOLD PLATE ON CONTACT AND
1.905µm MIN. TIN ON SOLDER TAIL OVER
1.270µm MIN. NICKEL OVERALL.
 - (6) 2.540µm/100µm MIN TIN OVERALL
1.270µm/50µm NICKEL OVERALL
3. PRODUCT SPECIFICATION: PS-87920-019
4. PACKAGING TYPE: SEE TABLE
5. WAFER TO BE FLAT WITHIN 0.003 mm/mm
6. RECOMMENDED PCB THICKNESS IS 1.60mm±0.10
- △ IRREGULAR CIRCUIT CUTOFF WITHIN BREAKAWAY SECTION IS PERMISSIBLE. CUTTING OR CHIPPING OF THE MAIN BODY IS NOT ACCEPTABLE
8. THE ABOVE CKT 6 IS FOR ILLUSTRATION PURPOSE ONLY
9. PACKAGING SPECIFICATION:
 - TRAY: PK-89990-489
 - BULK: PK-89990-491

EWR# 1023 EC NO: S2007-0289 DRWN:SKL/M01 CHKD:C/LAM APPR:K/LEE 2006/09/29 2006/09/29 2006/09/30	QUALITY SYMBOLS	GENERAL TOLERANCES (UNLESS SPECIFIED)	DIMENSION STYLE	SCALE	DESIGN UNITS	THIRD ANGLE PROJECTION	
	▽=0 ∇=0	mm INCH	MM ONLY	NTS	METRIC		
		4 PLACES ± --- ± --- 3 PLACES ± --- ± --- 2 PLACES ± 0.20 ± --- 1 PLACE ± --- ± ---	DRAWN BY DATE YLQ1A0 2004/11/17	TITLE	CUSTOM HEADER 2.54MM PITCH, SINGLE ROW SINGLE WAFER, T/H HEADER		
		ANGULAR ± 3 °	CHECKED BY DATE PTL IM 2004/12/01	APPROVED BY DATE SCLOW 2004/12/06			
	DRAFT WHERE APPLICABLE MUST REMAIN WITHIN DIMENSIONS	SEE TABLE	MATERIAL NO.	DOCUMENT NO.	SHEET NO.		
					1 OF 8		

9 8 7 6 5 4 3 2 1

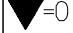
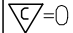
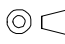

PACKAGING OPTION PART NO.										PACKAGING OPTION PART NO.											
TRAY	BULK	TUBE WITHOUT CAP	CKT SIZE	VOID POSITION	PLATING TYPE	DIMENSION					TRAY	BULK	TUBE WITHOUT CAP	CKT SIZE	VOID POSITION	PLATING TYPE	DIMENSION				
						A	B	F	M	P							A	B	F	M	P
87891-0101	-----	-----	1	-----	1	2.54	----	11.30	5.84	2.97	87891-0401	-----	-----	4	-----	1	10.16	7.62	11.30	5.84	2.97
87891-0102	-----	-----	1	-----	2	2.54	----	11.30	5.84	2.97	87891-0412	-----	-----	4	-----	2	10.16	7.62	11.30	5.84	2.97
87891-0103	-----	-----	1	-----	3	2.54	----	11.30	5.84	2.97	87891-0403	-----	-----	4	-----	3	10.16	7.62	11.30	5.84	2.97
87891-0104	-----	-----	1	-----	4	2.54	----	11.30	5.84	2.97	87891-0404	-----	-----	4	-----	4	10.16	7.62	11.30	5.84	2.97
87891-0105	-----	-----	1	-----	5	2.54	----	11.30	5.84	2.97	87891-0405	-----	-----	4	-----	5	10.16	7.62	11.30	5.84	2.97
87891-0106	-----	-----	1	-----	6	2.54	----	11.30	5.84	2.97	87891-0406	-----	-----	4	-----	6	10.16	7.62	11.30	5.84	2.97
87891-0201	-----	-----	2	-----	1	5.08	2.54	11.30	5.84	2.97	87891-0511	-----	-----	5	-----	1	12.70	10.16	11.30	5.84	2.97
87891-0202	-----	-----	2	-----	2	5.08	2.54	11.30	5.84	2.97	87891-0512	-----	-----	5	-----	2	12.70	10.16	11.30	5.84	2.97
87891-0203	-----	-----	2	-----	3	5.08	2.54	11.30	5.84	2.97	87891-0513	-----	-----	5	-----	3	12.70	10.16	11.30	5.84	2.97
87891-0204	-----	-----	2	-----	4	5.08	2.54	11.30	5.84	2.97	87891-0514	-----	-----	5	-----	4	12.70	10.16	11.30	5.84	2.97
87891-0205	-----	-----	2	-----	5	5.08	2.54	11.30	5.84	2.97	87891-0515	-----	-----	5	-----	5	12.70	10.16	11.30	5.84	2.97
87891-0206	-----	-----	2	-----	6	5.08	2.54	11.30	5.84	2.97	87891-0506	-----	-----	5	-----	6	12.70	10.16	11.30	5.84	2.97
87891-0301	-----	-----	3	-----	1	7.62	5.08	11.30	5.84	2.97	87891-0601	-----	-----	6	-----	1	15.24	12.70	11.30	5.84	2.97
87891-0302	-----	-----	3	-----	2	7.62	5.08	11.30	5.84	2.97	87891-0612	-----	-----	6	-----	2	15.24	12.70	11.30	5.84	2.97
87891-0303	-----	-----	3	-----	3	7.62	5.08	11.30	5.84	2.97	87891-0603	-----	-----	6	-----	3	15.24	12.70	11.30	5.84	2.97
87891-0304	-----	-----	3	-----	4	7.62	5.08	11.30	5.84	2.97	87891-0604	-----	-----	6	-----	4	15.24	12.70	11.30	5.84	2.97
87891-0305	-----	-----	3	-----	5	7.62	5.08	11.30	5.84	2.97	87891-0605	-----	-----	6	-----	5	15.24	12.70	11.30	5.84	2.97
87891-0306	-----	-----	3	-----	6	7.62	5.08	11.30	5.84	2.97	87891-0606	-----	-----	6	-----	6	15.24	12.70	11.30	5.84	2.97

EWR# 1023 EC NO: S2007-0289 DRWNS:KLI M01 2006/09/29 CHKD:CWJAM 2006/09/29 APPR:KWLEE 2006/09/30	QUALITY SYMBOLS =0 =0	GENERAL TOLERANCES (UNLESS SPECIFIED)		DIMENSION STYLE MM ONLY		SCALE NTS	DESIGN UNITS METRIC	THIRD ANGLE PROJECTION			
		4 PLACES ± --- ± --- 3 PLACES ± --- ± --- 2 PLACES ± 0.20 ± --- 1 PLACE ± --- ± ---	mm INCH	DRAWN BY YLQ1A0	DATE 2004/11/17	TITLE CUSTOM HEADER 2.54MM PITCH, SINGLE ROW SINGLE WAFER, T/H HEADER					
		ANGULAR ± 3 °		CHECKED BY PTL IM	DATE 2004/12/01	MOLEX INCORPORATED					
		DRAFT WHERE APPLICABLE MUST REMAIN WITHIN DIMENSIONS		APPROVED BY SCLOW	DATE 2004/12/06	MATERIAL NO. SEE TABLE	DOCUMENT NO. SD-87891-013	SHEET NO. 2 OF 8			

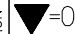
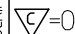
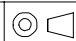
PACKAGING OPTION PART NO.		CKT SIZE	VOID POSITION	PLATING TYPE	DIMENSION					PACKAGING OPTION PART NO.		CKT SIZE	VOID POSITION	PLATING TYPE	DIMENSION							
TRAY	BULK				TUBE WITHOUT CAP	A	B	F	M	P	TRAY				BULK	TUBE WITHOUT CAP	A	B	F	M	P	
F	87891-0711	-----	-----	7	-----	1	17.78	15.24	11.30	5.84	2.97	87891-1001	-----	-----	10	-----	1	25.40	22.86	11.30	5.84	2.97
	87891-0702	-----	-----	7	-----	2	17.78	15.24	11.30	5.84	2.97	87891-1002	-----	-----	10	-----	2	25.40	22.86	11.30	5.84	2.97
	87891-0703	-----	-----	7	-----	3	17.78	15.24	11.30	5.84	2.97	87891-1003	-----	-----	10	-----	3	25.40	22.86	11.30	5.84	2.97
	87891-0704	-----	-----	7	-----	4	17.78	15.24	11.30	5.84	2.97	87891-1004	-----	-----	10	-----	4	25.40	22.86	11.30	5.84	2.97
	87891-0705	-----	-----	7	-----	5	17.78	15.24	11.30	5.84	2.97	87891-1005	-----	-----	10	-----	5	25.40	22.86	11.30	5.84	2.97
	87891-0706	-----	-----	7	-----	6	17.78	15.24	11.30	5.84	2.97	87891-1006	-----	-----	10	-----	6	25.40	22.86	11.30	5.84	2.97
E																						
	87891-0801	-----	-----	8	-----	1	20.32	17.78	11.30	5.84	2.97	87891-1101	-----	-----	11	-----	1	27.94	25.40	11.30	5.84	2.97
	87891-0802	-----	-----	8	-----	2	20.32	17.78	11.30	5.84	2.97	87891-1102	-----	-----	11	-----	2	27.94	25.40	11.30	5.84	2.97
	87891-0803	-----	-----	8	-----	3	20.32	17.78	11.30	5.84	2.97	87891-1103	-----	-----	11	-----	3	27.94	25.40	11.30	5.84	2.97
	87891-0804	-----	-----	8	-----	4	20.32	17.78	11.30	5.84	2.97	87891-1104	-----	-----	11	-----	4	27.94	25.40	11.30	5.84	2.97
D	87891-0805	-----	-----	8	-----	5	20.32	17.78	11.30	5.84	2.97	87891-1105	-----	-----	11	-----	5	27.94	25.40	11.30	5.84	2.97
	87891-0806	-----	-----	8	-----	6	20.32	17.78	11.30	5.84	2.97	87891-1106	-----	-----	11	-----	6	27.94	25.40	11.30	5.84	2.97
	87891-0901	-----	-----	9	-----	1	22.86	20.32	11.30	5.84	2.97	87891-1201	-----	-----	12	-----	1	30.48	27.94	11.30	5.84	2.97
	87891-0902	-----	-----	9	-----	2	22.86	20.32	11.30	5.84	2.97	87891-1202	-----	-----	12	-----	2	30.48	27.94	11.30	5.84	2.97
C	87891-0903	-----	-----	9	-----	3	22.86	20.32	11.30	5.84	2.97	87891-1203	-----	-----	12	-----	3	30.48	27.94	11.30	5.84	2.97
	87891-0904	-----	-----	9	-----	4	22.86	20.32	11.30	5.84	2.97	87891-1204	-----	-----	12	-----	4	30.48	27.94	11.30	5.84	2.97
	87891-0905	-----	-----	9	-----	5	22.86	20.32	11.30	5.84	2.97	87891-1205	-----	-----	12	-----	5	30.48	27.94	11.30	5.84	2.97
	87891-0906	-----	-----	9	-----	6	22.86	20.32	11.30	5.84	2.97	87891-1206	-----	-----	12	-----	6	30.48	27.94	11.30	5.84	2.97
B																						

EWR# 1023 EC NO: S2007-0289 DRWNS:KLI M01 2006/09/29 CHKD:CWJAM 2006/09/29 APPR:KWLEE 2006/09/30	QUALITY SYMBOLS =0 =0	GENERAL TOLERANCES (UNLESS SPECIFIED)		DIMENSION STYLE MM ONLY		SCALE NTS	DESIGN UNITS METRIC	THIRD ANGLE PROJECTION			
		4 PLACES ± --- ± --- 3 PLACES ± --- ± --- 2 PLACES ± 0.20 ± --- 1 PLACE ± --- ± ---	mm INCH	DRAWN BY YLQ1A0	DATE 2004/11/17	TITLE CUSTOM HEADER 2.54MM PITCH, SINGLE ROW SINGLE WAFER, T/H HEADER					
		ANGULAR ± 3 °		CHECKED BY PTL IM	DATE 2004/12/01	MOLEX INCORPORATED					
		DRAFT WHERE APPLICABLE MUST REMAIN WITHIN DIMENSIONS		APPROVED BY SCLOW	DATE 2004/12/06	MATERIAL NO. SEE TABLE	DOCUMENT NO. SD-87891-013	SHEET NO. 3 OF 8			

PACKAGING OPTION PART NO.										PACKAGING OPTION PART NO.											
TRAY	BULK	TUBE WITHOUT CAP	CKT SIZE	VOID POSITION	PLATING TYPE	DIMENSION					TRAY	BULK	TUBE WITHOUT CAP	CKT SIZE	VOID POSITION	PLATING TYPE	DIMENSION				
						A	B	F	M	P							A	B	F	M	P
87891-1301	-----	-----	13	-----	1	33.02	30.48	11.30	5.84	2.97	87891-1601	-----	-----	16	-----	1	40.64	38.10	11.30	5.84	2.97
87891-1302	-----	-----	13	-----	2	33.02	30.48	11.30	5.84	2.97	87891-1602	-----	-----	16	-----	2	40.64	38.10	11.30	5.84	2.97
87891-1303	-----	-----	13	-----	3	33.02	30.48	11.30	5.84	2.97	87891-1603	-----	-----	16	-----	3	40.64	38.10	11.30	5.84	2.97
87891-1304	-----	-----	13	-----	4	33.02	30.48	11.30	5.84	2.97	87891-1604	-----	-----	16	-----	4	40.64	38.10	11.30	5.84	2.97
87891-1305	-----	-----	13	-----	5	33.02	30.48	11.30	5.84	2.97	87891-1605	-----	-----	16	-----	5	40.64	38.10	11.30	5.84	2.97
87891-1306	-----	-----	13	-----	6	33.02	30.48	11.30	5.84	2.97	87891-1606	-----	-----	16	-----	6	40.64	38.10	11.30	5.84	2.97
87891-1401	-----	-----	14	-----	1	35.56	33.02	11.30	5.84	2.97	87891-1701	-----	-----	17	-----	1	43.18	40.64	11.30	5.84	2.97
87891-1402	-----	-----	14	-----	2	35.56	33.02	11.30	5.84	2.97	87891-1702	-----	-----	17	-----	2	43.18	40.64	11.30	5.84	2.97
87891-1403	-----	-----	14	-----	3	35.56	33.02	11.30	5.84	2.97	87891-1703	-----	-----	17	-----	3	43.18	40.64	11.30	5.84	2.97
87891-1404	-----	-----	14	-----	4	35.56	33.02	11.30	5.84	2.97	87891-1704	-----	-----	17	-----	4	43.18	40.64	11.30	5.84	2.97
87891-1405	-----	-----	14	-----	5	35.56	33.02	11.30	5.84	2.97	87891-1705	-----	-----	17	-----	5	43.18	40.64	11.30	5.84	2.97
87891-1406	-----	-----	14	-----	6	35.56	33.02	11.30	5.84	2.97	87891-1706	-----	-----	17	-----	6	43.18	40.64	11.30	5.84	2.97
87891-1501	-----	-----	15	-----	1	38.10	35.56	11.30	5.84	2.97	87891-1801	-----	-----	18	-----	1	45.72	43.18	11.30	5.84	2.97
87891-1502	-----	-----	15	-----	2	38.10	35.56	11.30	5.84	2.97	87891-1802	-----	-----	18	-----	2	45.72	43.18	11.30	5.84	2.97
87891-1503	-----	-----	15	-----	3	38.10	35.56	11.30	5.84	2.97	87891-1803	-----	-----	18	-----	3	45.72	43.18	11.30	5.84	2.97
87891-1504	-----	-----	15	-----	4	38.10	35.56	11.30	5.84	2.97	87891-1804	-----	-----	18	-----	4	45.72	43.18	11.30	5.84	2.97
87891-1505	-----	-----	15	-----	5	38.10	35.56	11.30	5.84	2.97	87891-1805	-----	-----	18	-----	5	45.72	43.18	11.30	5.84	2.97
87891-1506	-----	-----	15	-----	6	38.10	35.56	11.30	5.84	2.97	87891-1806	-----	-----	18	-----	6	45.72	43.18	11.30	5.84	2.97

QUALITY SYMBOLS  = 0  = 0	GENERAL TOLERANCES (UNLESS SPECIFIED) <table border="1"> <tr><th></th><th>mm</th><th>INCH</th></tr> <tr><td>4 PLACES</td><td>± ---</td><td>± ---</td></tr> <tr><td>3 PLACES</td><td>± ---</td><td>± ---</td></tr> <tr><td>2 PLACES</td><td>± 0.20</td><td>± ---</td></tr> <tr><td>1 PLACE</td><td>± ---</td><td>± ---</td></tr> </table>		mm	INCH	4 PLACES	± ---	± ---	3 PLACES	± ---	± ---	2 PLACES	± 0.20	± ---	1 PLACE	± ---	± ---	DIMENSION STYLE MM ONLY	SCALE NTS	DESIGN UNITS METRIC	 THIRD ANGLE PROJECTION	TITLE CUSTOM HEADER 2.54MM PITCH, SINGLE ROW SINGLE WAFER, T/H HEADER	 MOLEX INCORPORATED	SHEET NO. 4 OF 8
			mm	INCH																			
		4 PLACES	± ---	± ---																			
		3 PLACES	± ---	± ---																			
2 PLACES	± 0.20	± ---																					
1 PLACE	± ---	± ---																					
DESCRIPTION EWR# 1023 EC NO: S2007-0289 DRWNS:KLI M01 2006/09/29 CHKD:CWJAM 2006/09/29 APPR:KWLEE 2006/09/30	DRAWN BY YLQIAO	DATE 2004/11/17																					
APPROVED BY SCLW	DATE 2004/12/06	DOCUMENT NO. SD-87891-013																					
DRAFT WHERE APPLICABLE MUST REMAIN WITHIN DIMENSIONS	SEE TABLE	MATERIAL NO.																					

PACKAGING OPTION PART NO.		CKT SIZE	VOID POSITION	PLATING TYPE	DIMENSION					PACKAGING OPTION PART NO.		CKT SIZE	VOID POSITION	PLATING TYPE	DIMENSION								
TRAY	BULK				TUBE WITHOUT CAP	A	B	F	M	P	TRAY				BULK	TUBE WITHOUT CAP	A	B	F	M	P		
F	87891-1901	-----	-----	19	----	1	48.26	45.72	11.30	5.84	2.97	87891-2201	-----	-----	22	----	1	55.88	53.34	11.30	5.84	2.97	F
	87891-1902	-----	-----	19	----	2	48.26	45.72	11.30	5.84	2.97	87891-2202	-----	-----	22	----	2	55.88	53.34	11.30	5.84	2.97	
	87891-1903	-----	-----	19	----	3	48.26	45.72	11.30	5.84	2.97	87891-2203	-----	-----	22	----	3	55.88	53.34	11.30	5.84	2.97	
	87891-1904	-----	-----	19	----	4	48.26	45.72	11.30	5.84	2.97	87891-2204	-----	-----	22	----	4	55.88	53.34	11.30	5.84	2.97	
	87891-1905	-----	-----	19	----	5	48.26	45.72	11.30	5.84	2.97	87891-2205	-----	-----	22	----	5	55.88	53.34	11.30	5.84	2.97	
	87891-1906	-----	-----	19	----	6	48.26	45.72	11.30	5.84	2.97	87891-2206	-----	-----	22	----	6	55.88	53.34	11.30	5.84	2.97	
E																							E
	87891-2001	-----	-----	20	----	1	50.80	48.26	11.30	5.84	2.97	87891-2301	-----	-----	23	----	1	58.42	55.88	11.30	5.84	2.97	
	87891-2002	-----	-----	20	----	2	50.80	48.26	11.30	5.84	2.97	87891-2302	-----	-----	23	----	2	58.42	55.88	11.30	5.84	2.97	
	87891-2003	-----	-----	20	----	3	50.80	48.26	11.30	5.84	2.97	87891-2303	-----	-----	23	----	3	58.42	55.88	11.30	5.84	2.97	
	87891-2004	-----	-----	20	----	4	50.80	48.26	11.30	5.84	2.97	87891-2304	-----	-----	23	----	4	58.42	55.88	11.30	5.84	2.97	
D	87891-2005	-----	-----	20	----	5	50.80	48.26	11.30	5.84	2.97	87891-2305	-----	-----	23	----	5	58.42	55.88	11.30	5.84	2.97	D
	87891-2006	-----	-----	20	----	6	50.80	48.26	11.30	5.84	2.97	87891-2306	-----	-----	23	----	6	58.42	55.88	11.30	5.84	2.97	
	87891-2101	-----	-----	21	----	1	53.34	50.80	11.30	5.84	2.97	87891-2401	-----	-----	24	----	1	60.96	58.42	11.30	5.84	2.97	
	87891-2102	-----	-----	21	----	2	53.34	50.80	11.30	5.84	2.97	87891-2402	-----	-----	24	----	2	60.96	58.42	11.30	5.84	2.97	
C	87891-2103	-----	-----	21	----	3	53.34	50.80	11.30	5.84	2.97	87891-2403	-----	-----	24	----	3	60.96	58.42	11.30	5.84	2.97	C
	87891-2104	-----	-----	21	----	4	53.34	50.80	11.30	5.84	2.97	87891-2404	-----	-----	24	----	4	60.96	58.42	11.30	5.84	2.97	
	87891-2105	-----	-----	21	----	5	53.34	50.80	11.30	5.84	2.97	87891-2405	-----	-----	24	----	5	60.96	58.42	11.30	5.84	2.97	
	87891-2106	-----	-----	21	----	6	53.34	50.80	11.30	5.84	2.97	87891-2406	-----	-----	24	----	6	60.96	58.42	11.30	5.84	2.97	
B																							B

EWB# 1023 EC NO: S2007-0289 DRWNS:KLI M01 2006/09/29 CHKD:CWJAM 2006/09/29 APPR:KWLEE 2006/09/30	QUALITY SYMBOLS  = 0  = 0.25	GENERAL TOLERANCES (UNLESS SPECIFIED)		DIMENSION STYLE MM ONLY		SCALE NTS	DESIGN UNITS METRIC	 THIRD ANGLE PROJECTION	
		4 PLACES ± --- ± --- 3 PLACES ± --- ± --- 2 PLACES ± 0.20 ± --- 1 PLACE ± --- ± ---	mm INCH	DRAWN BY YLQ1A0	DATE 2004/11/17	TITLE CUSTOM HEADER 2.54MM PITCH, SINGLE ROW SINGLE WAFER, T/H HEADER			
		ANGULAR ± 3 °		CHECKED BY PTL IM	DATE 2004/12/01	MOLEX INCORPORATED			
		DRAFT WHERE APPLICABLE MUST REMAIN WITHIN DIMENSIONS		APPROVED BY SCLOW	DATE 2004/12/06	MATERIAL NO. SEE TABLE	DOCUMENT NO. SD-87891-013		
				SIZE A3	THIS DRAWING CONTAINS INFORMATION THAT IS PROPRIETARY TO MOLEX INCORPORATED AND SHOULD NOT BE USED WITHOUT WRITTEN PERMISSION		SHEET NO. 5 OF 8		

PACKAGING OPTION PART NO.										PACKAGING OPTION PART NO.												
TRAY	BULK	TUBE WITHOUT CAP	CKT SIZE	VOID POSITION	PLATING TYPE	DIMENSION					TRAY	BULK	TUBE WITHOUT CAP	CKT SIZE	VOID POSITION	PLATING TYPE	DIMENSION					
						A	B	F	M	P							A	B	F	M	P	
F	87891-2501	-----	-----	25	----	1	63.50	60.96	11.30	5.84	2.97	-----	87891-2801	-----	28	----	1	71.12	68.58	11.30	5.84	2.97
	87891-2502	-----	-----	25	----	2	63.50	60.96	11.30	5.84	2.97	-----	87891-2802	-----	28	----	2	71.12	68.58	11.30	5.84	2.97
	87891-2503	-----	-----	25	----	3	63.50	60.96	11.30	5.84	2.97	-----	87891-2803	-----	28	----	3	71.12	68.58	11.30	5.84	2.97
	87891-2504	-----	-----	25	----	4	63.50	60.96	11.30	5.84	2.97	-----	87891-2804	-----	28	----	4	71.12	68.58	11.30	5.84	2.97
	87891-2505	-----	-----	25	----	5	63.50	60.96	11.30	5.84	2.97	-----	87891-2805	-----	28	----	5	71.12	68.58	11.30	5.84	2.97
	87891-2506	-----	-----	25	----	6	63.50	60.96	11.30	5.84	2.97	-----	87891-2806	-----	28	----	6	71.12	68.58	11.30	5.84	2.97
E																						
	-----	87891-2611	-----	26	----	1	66.04	63.50	11.30	5.84	2.97	-----	87891-2901	-----	29	----	1	73.66	71.12	11.30	5.84	2.97
	-----	87891-2602	-----	26	----	2	66.04	63.50	11.30	5.84	2.97	-----	87891-2902	-----	29	----	2	73.66	71.12	11.30	5.84	2.97
	-----	87891-2603	-----	26	----	3	66.04	63.50	11.30	5.84	2.97	-----	87891-2903	-----	29	----	3	73.66	71.12	11.30	5.84	2.97
	-----	87891-2604	-----	26	----	4	66.04	63.50	11.30	5.84	2.97	-----	87891-2904	-----	29	----	4	73.66	71.12	11.30	5.84	2.97
D	-----	87891-2605	-----	26	----	5	66.04	63.50	11.30	5.84	2.97	-----	87891-2905	-----	29	----	5	73.66	71.12	11.30	5.84	2.97
	-----	87891-2606	-----	26	----	6	66.04	63.50	11.30	5.84	2.97	-----	87891-2906	-----	29	----	6	73.66	71.12	11.30	5.84	2.97
	-----	87891-2701	-----	27	----	1	68.58	66.04	11.30	5.84	2.97	-----	87891-3001	-----	30	----	1	76.20	73.66	11.30	5.84	2.97
	-----	87891-2702	-----	27	----	2	68.58	66.04	11.30	5.84	2.97	-----	87891-3002	-----	30	----	2	76.20	73.66	11.30	5.84	2.97
C	-----	87891-2703	-----	27	----	3	68.58	66.04	11.30	5.84	2.97	-----	87891-3003	-----	30	----	3	76.20	73.66	11.30	5.84	2.97
	-----	87891-2704	-----	27	----	4	68.58	66.04	11.30	5.84	2.97	-----	87891-3004	-----	30	----	4	76.20	73.66	11.30	5.84	2.97
	-----	87891-2705	-----	27	----	5	68.58	66.04	11.30	5.84	2.97	-----	87891-3005	-----	30	----	5	76.20	73.66	11.30	5.84	2.97
	-----	87891-2706	-----	27	----	6	68.58	66.04	11.30	5.84	2.97	-----	87891-3006	-----	30	----	6	76.20	73.66	11.30	5.84	2.97
B																						

EWR# 1023 EC NO: S2007-0289 DRWNS:KLI M01 2006/09/29 CHKD:CWJAM 2006/09/29 APPR:KWLEE 2006/09/30	QUALITY SYMBOLS =0 =0	GENERAL TOLERANCES (UNLESS SPECIFIED)		DIMENSION STYLE MM ONLY		SCALE NTS	DESIGN UNITS METRIC	THIRD ANGLE PROJECTION			
		4 PLACES ± --- ± --- 3 PLACES ± --- ± --- 2 PLACES ± 0.20 ± --- 1 PLACE ± --- ± ---	mm INCH	DRAWN BY YLQ1A0	DATE 2004/11/17	TITLE CUSTOM HEADER 2.54MM PITCH, SINGLE ROW SINGLE WAFER, T/H HEADER					
		ANGULAR ± 3 °		APPROVED BY SCLW	DATE 2004/12/06	MOLEX INCORPORATED					
		DRAFT WHERE APPLICABLE MUST REMAIN WITHIN DIMENSIONS		MATERIAL NO. SEE TABLE		DOCUMENT NO. SD-87891-013		SHEET NO. 6 OF 8			

PACKAGING OPTION PART NO.										PACKAGING OPTION PART NO.											
TRAY	BULK	TUBE WITHOUT CAP	CKT SIZE	VOID POSITION	PLATING TYPE	DIMENSION					TRAY	BULK	TUBE WITHOUT CAP	CKT SIZE	VOID POSITION	PLATING TYPE	DIMENSION				
						A	B	F	M	P							A	B	F	M	P
-----	87891-3101	-----	31	-----	1	78.74	76.20	11.30	5.84	2.97	-----	87891-3401	-----	34	-----	1	86.36	83.82	11.30	5.84	2.97
-----	87891-3102	-----	31	-----	2	78.74	76.20	11.30	5.84	2.97	-----	87891-3402	-----	34	-----	2	86.36	83.82	11.30	5.84	2.97
-----	87891-3103	-----	31	-----	3	78.74	76.20	11.30	5.84	2.97	-----	87891-3403	-----	34	-----	3	86.36	83.82	11.30	5.84	2.97
-----	87891-3104	-----	31	-----	4	78.74	76.20	11.30	5.84	2.97	-----	87891-3404	-----	34	-----	4	86.36	83.82	11.30	5.84	2.97
-----	87891-3105	-----	31	-----	5	78.74	76.20	11.30	5.84	2.97	-----	87891-3405	-----	34	-----	5	86.36	83.82	11.30	5.84	2.97
-----	87891-3106	-----	31	-----	6	78.74	76.20	11.30	5.84	2.97	-----	87891-3406	-----	34	-----	6	86.36	83.82	11.30	5.84	2.97
-----		-----		-----							-----		-----		-----						
-----	87891-3201	-----	32	-----	1	81.28	78.74	11.30	5.84	2.97	-----	87891-3501	-----	35	-----	1	88.90	86.36	11.30	5.84	2.97
-----	87891-3202	-----	32	-----	2	81.28	78.74	11.30	5.84	2.97	-----	87891-3502	-----	35	-----	2	88.90	86.36	11.30	5.84	2.97
-----	87891-3203	-----	32	-----	3	81.28	78.74	11.30	5.84	2.97	-----	87891-3503	-----	35	-----	3	88.90	86.36	11.30	5.84	2.97
-----	87891-3204	-----	32	-----	4	81.28	78.74	11.30	5.84	2.97	-----	87891-3504	-----	35	-----	4	88.90	86.36	11.30	5.84	2.97
-----	87891-3205	-----	32	-----	5	81.28	78.74	11.30	5.84	2.97	-----	87891-3505	-----	35	-----	5	88.90	86.36	11.30	5.84	2.97
-----	87891-3206	-----	32	-----	6	81.28	78.74	11.30	5.84	2.97	-----	87891-3506	-----	35	-----	6	88.90	86.36	11.30	5.84	2.97
-----		-----		-----							-----		-----		-----						
-----	87891-3301	-----	33	-----	1	83.82	81.28	11.30	5.84	2.97	-----	87891-3611	-----	36	-----	1	91.44	88.90	11.30	5.84	2.97
-----	87891-3302	-----	33	-----	2	83.82	81.28	11.30	5.84	2.97	-----	87891-3602	-----	36	-----	2	91.44	88.90	11.30	5.84	2.97
-----	87891-3303	-----	33	-----	3	83.82	81.28	11.30	5.84	2.97	-----	87891-3603	-----	36	-----	3	91.44	88.90	11.30	5.84	2.97
-----	87891-3304	-----	33	-----	4	83.82	81.28	11.30	5.84	2.97	-----	87891-3604	-----	36	-----	4	91.44	88.90	11.30	5.84	2.97
-----	87891-3305	-----	33	-----	5	83.82	81.28	11.30	5.84	2.97	-----	87891-3605	-----	36	-----	5	91.44	88.90	11.30	5.84	2.97
-----	87891-3306	-----	33	-----	6	83.82	81.28	11.30	5.84	2.97	-----	87891-3606	-----	36	-----	6	91.44	88.90	11.30	5.84	2.97
-----		-----		-----							-----		-----		-----						
-----		-----		-----							-----		-----		-----						
-----		-----		-----							-----		-----		-----						

EWB# 1023 EC NO: S2007-0289 DRWNS:KLI M01 2006/09/29 CHKD:CWJAM 2006/09/29 APPR:KWLEE 2006/09/30	QUALITY SYMBOLS =0 =0	GENERAL TOLERANCES (UNLESS SPECIFIED)		DIMENSION STYLE MM ONLY		SCALE NTS	DESIGN UNITS METRIC	THIRD ANGLE PROJECTION			
		4 PLACES ± --- ± --- 3 PLACES ± --- ± --- 2 PLACES ± 0.20 ± --- 1 PLACE ± --- ± ---	mm INCH	DRAWN BY YLQ1A0	DATE 2004/11/17	TITLE CUSTOM HEADER 2.54MM PITCH, SINGLE ROW SINGLE WAFER, T/H HEADER					
		ANGULAR ± 3 °		CHECKED BY PTL IM	DATE 2004/12/01	MOLEX INCORPORATED					
		DRAFT WHERE APPLICABLE MUST REMAIN WITHIN DIMENSIONS		APPROVED BY SCLOW	DATE 2004/12/06	MATERIAL NO. SEE TABLE	DOCUMENT NO. SD-87891-013	SHEET NO. 7 OF 8			

PACKAGING OPTION PART NO.										PACKAGING OPTION PART NO.												
TRAY	BULK	TUBE WITHOUT CAP	CKT SIZE	VOID POSITION	PLATING TYPE	DIMENSION					TRAY	BULK	TUBE WITHOUT CAP	CKT SIZE	VOID POSITION	PLATING TYPE	DIMENSION					
						A	B	F	M	P							A	B	F	M	P	
F	-----	87891-3701	-----	37	----	1	93.98	91.44	11.30	5.84	2.97	-----	87891-4001	-----	40	----	1	101.60	99.06	11.30	5.84	2.97
	-----	87891-3702	-----	37	----	2	93.98	91.44	11.30	5.84	2.97	-----	87891-4002	-----	40	----	2	101.60	99.06	11.30	5.84	2.97
	-----	87891-3703	-----	37	----	3	93.98	91.44	11.30	5.84	2.97	-----	87891-4003	-----	40	----	3	101.60	99.06	11.30	5.84	2.97
	-----	87891-3704	-----	37	----	4	93.98	91.44	11.30	5.84	2.97	-----	87891-4004	-----	40	----	4	101.60	99.06	11.30	5.84	2.97
	-----	87891-3705	-----	37	----	5	93.98	91.44	11.30	5.84	2.97	-----	87891-4005	-----	40	----	5	101.60	99.06	11.30	5.84	2.97
	-----	87891-3706	-----	37	----	6	93.98	91.44	11.30	5.84	2.97	-----	87891-4006	-----	40	----	6	101.60	99.06	11.30	5.84	2.97
E																						
	-----	87891-3801	-----	38	----	1	96.52	93.98	11.30	5.84	2.97											
	-----	87891-3802	-----	38	----	2	96.52	93.98	11.30	5.84	2.97											
	-----	87891-3803	-----	38	----	3	96.52	93.98	11.30	5.84	2.97											
	-----	87891-3804	-----	38	----	4	96.52	93.98	11.30	5.84	2.97											
D	-----	87891-3805	-----	38	----	5	96.52	93.98	11.30	5.84	2.97											
	-----	87891-3806	-----	38	----	6	96.52	93.98	11.30	5.84	2.97											
	-----	87891-3901	-----	39	----	1	99.06	96.52	11.30	5.84	2.97											
	-----	87891-3902	-----	39	----	2	99.06	96.52	11.30	5.84	2.97											
C	-----	87891-3903	-----	39	----	3	99.06	96.52	11.30	5.84	2.97											
	-----	87891-3904	-----	39	----	4	99.06	96.52	11.30	5.84	2.97											
	-----	87891-3905	-----	39	----	5	99.06	96.52	11.30	5.84	2.97											
	-----	87891-3906	-----	39	----	6	99.06	96.52	11.30	5.84	2.97											
B																						

EWB# 1023 EC NO: S2007-0289 DRWNS:KLI M01 CHKD:CWAM APPR:KWLEE	2006/09/29 2006/09/29 2006/09/30	QUALITY SYMBOLS ▽=0 ▽=0	GENERAL TOLERANCES (UNLESS SPECIFIED)		DIMENSION STYLE MM ONLY		SCALE NTS	DESIGN UNITS METRIC	THIRD ANGLE PROJECTION			
			4 PLACES ± --- ± --- 3 PLACES ± --- ± --- 2 PLACES ± 0.20 ± --- 1 PLACE ± --- ± ---		DRAWN BY YLQ1A0		DATE 2004/11/17		TITLE CUSTOM HEADER 2.54MM PITCH, SINGLE ROW SINGLE WAFER, T/H HEADER			
			ANGULAR ± 3 °		CHECKED BY PTL IM		DATE 2004/12/01		MOLEX INCORPORATED			
			DRAFT WHERE APPLICABLE MUST REMAIN WITHIN DIMENSIONS		APPROVED BY SCLOW		DATE 2004/12/06		MATERIAL NO. SEE TABLE		DOCUMENT NO. SD-87891-013	