

PLEASE CHECK WWW.MOLEX.COM FOR LATEST PART INFORMATION

Part Number: [0015040292](#)
Status: **Active**
Description: Universal Polarizing Key, Black

Documents:

[Drawing \(PDF\)](#) [RoHS Certificate of Compliance \(PDF\)](#)

General

Product Family	Accessories
Series	40713
Comments	Delivered on a Carrier With 20 Parts per Strip
Component Type	Polarizing Key
MolexKits	Yes
Product Name	MX-50™

Physical

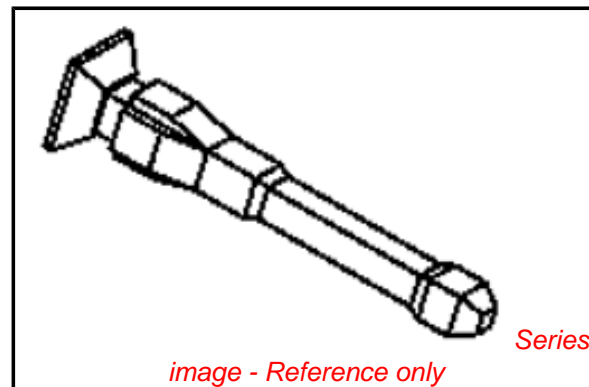
Circuits (Loaded)	1
Lock to Mating Part	No
Packaging Type	Bag

Material Info

Old Part Number	40713-01
-----------------	----------

Reference - Drawing Numbers

Sales Drawing	SD-40713-**
---------------	-------------



EU RoHS

**ELV and RoHS
Compliant**
**REACH SVHC
Contains SVHC: No**
**Halogen-Free
Status**

China RoHS



**Need more information on product
environmental compliance?**

Email productcompliance@molex.com
 For a multiple part number RoHS Certificate of
 Compliance, [click here](#)

Please visit the [Contact Us](#) section for any
 non-product compliance questions.

Search Parts in this Series

40713Series

Use With

70066 SL™ Crimp Housing. 70450 SL™
 Crimp Housing. 70400 C-Grid SL™ IDT
 Connector Assembly. 70430 C-Grid SL™ .
 71850 C-Grid® Receptacle. 71395 C-Grid®
 PCB Connector

13

12

11

10

9

8

7

6

40713

4

3

2

1

J

I

H

G

F

E

D

C

B

A

J

I

H

G

F

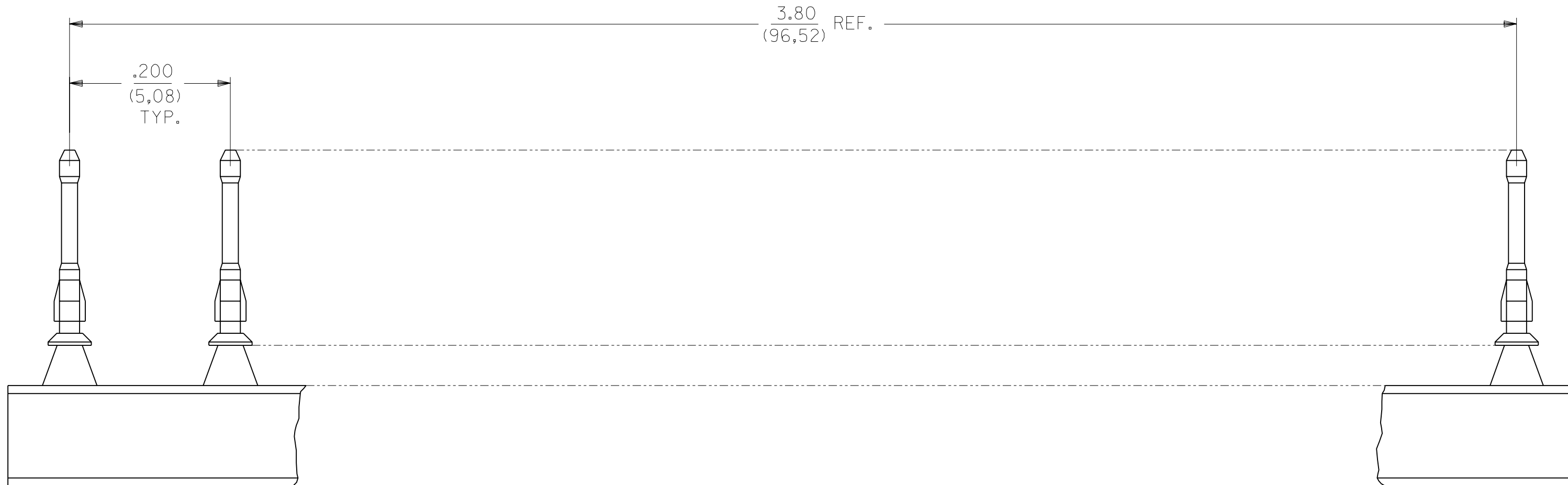
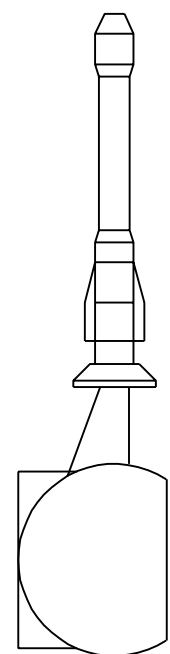
E

D

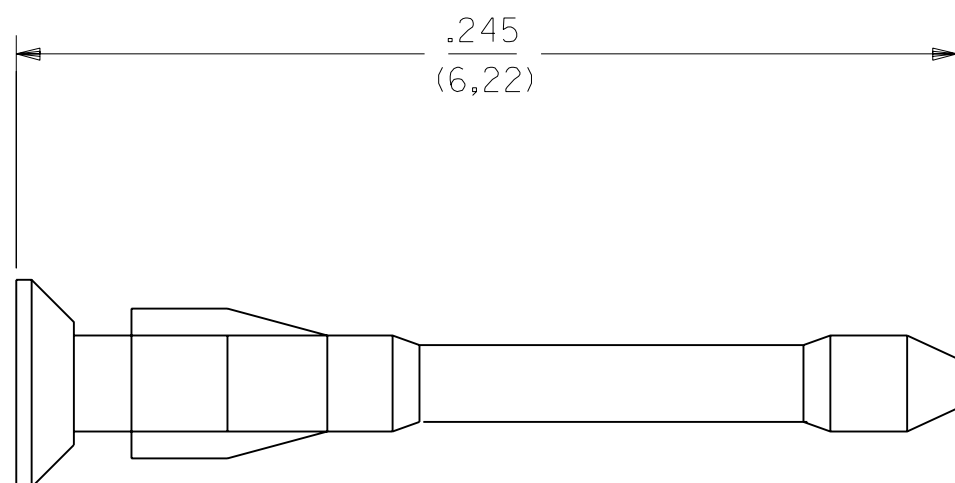
C

B

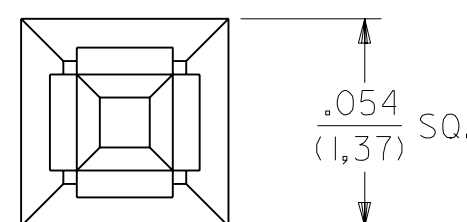
A



SCALE 8:1



SCALE 20:1



NOTES:

- 1. MATERIAL: G.F. POLYESTER; UL 94V-0, COLOR: SEE CHART
- 2. TO BE USED WITH PRODUCT HAVING .032 - .038 SQ. PIN WINDOWS.
- 3. KEY IS MOLDED AS A 20-PIECE UNIT.
- 4. PART FUNCTIONS WITH OR WITHOUT PRESENCE OF CONTACT IN HOUSING.

40713

D ADD TO CAD
ECN UDT2001-0538
SCHAFFER 00/11/17

MFG.	SH.	REV.	LTR.	REVISIONS
------	-----	------	------	-----------

REVISE ONLY ON CAD SYSTEM

DIMENSIONS SHOWN (METRIC) INCH	
UNLESS OTHERWISE SPECIFIED TOLERANCES: ANGULAR ± 1/2°	
	INCH METRIC
3 PLACE	± .005 ---
2 PLACE	± .01 ± 0,13
1 PLACE	--- ± 0,25
DRAFT WHERE APPLICABLE MUST REMAIN WITHIN DIMENSIONS	

TITLE		UNIVERSAL POLARIZING PIN	
PART NO.		SD-40713-***	
MOLDEX INCORPORATED LISLE, ILL. 60532 U.S.A.		SHEET NO. 1 OF 1	DATE 11 / 17 / 00

DRWG. BY	JJS	CHK'D. BY	DJB
APP'D. BY	DJB	SCALE	20:1

FILE NAME	THIS DRAWING CONTAINS INFORMATION THAT IS PROPRIETARY TO MOLEX INC. AND SHOULD NOT BE USED WITHOUT WRITTEN PERMISSION.		DIV.	DD	SIZE	C
-----------	--	--	------	----	------	---

15-04-0293	WHITE
15-04-0292	BLACK
ORDER NO.	COLOR PIN MATERIAL

13

12

11

10

9

8

7

6

5

4

3

2

1