

PLEASE CHECK WWW.MOLEX.COM FOR LATEST PART INFORMATION

Part Number: [0670689011](#)
Status: **Active**
Description: Universal Serial Bus (USB), Shielded I/O, Type B Receptacle, Right Angle with Straight Tabs, Color White, 0.76µm(30µ") Gold(Au) Plating, Tray Pack, Lead Free

Documents:

[3D Model](#) [Product Specification PS-67998-0000 \(PDF\)](#)
[Drawing \(PDF\)](#) [RoHS Certificate of Compliance \(PDF\)](#)

General

| | |
|----------------|-----------------------|
| Product Family | I/O Connectors |
| Series | 67068 |
| Application | Wire-to-Board |
| Comments | Single |
| Component Type | Receptacle |
| Product Name | USB |
| Type | B |

Physical

| | |
|--------------------------------|--------------|
| Boot Color | N/A |
| Circuits (Loaded) | 4 |
| Circuits (maximum) | 4 |
| Gender | Receptacle |
| Lock to Mating Part | Yes |
| Material - Plating Mating | Gold |
| Material - Plating Termination | Tin |
| Number of Rows | 2 |
| Orientation | Right Angle |
| PC Tail Length (in) | 0.110 In |
| PC Tail Length (mm) | 2.80 mm |
| PCB Locator | Yes |
| PCB Retention | Yes |
| PCB Thickness Recommended (in) | 0.063 In |
| PCB Thickness Recommended (mm) | 1.60 mm |
| Packaging Type | Tray |
| Panel Mount | No |
| Pitch - Mating Interface (in) | 0.098 In |
| Pitch - Mating Interface (mm) | 2.50 mm |
| Pitch - Term. Interface (in) | 0.098 In |
| Pitch - Term. Interface (mm) | 2.50 mm |
| Plating min: Mating (µin) | 30 |
| Plating min: Mating (µm) | 0.76 |
| Plating min: Termination (µin) | 75 |
| Plating min: Termination (µm) | 1.90 |
| Polarized to Mating Part | Yes |
| Polarized to PCB | Yes |
| Ports | 1 |
| Surface Mount Compatible (SMC) | Yes |
| Temperature Range - Operating | 0°C to +50°C |
| Termination Interface: Style | Through Hole |
| Waterproof / Dustproof | No |
| Wire Size AWG | N/A |

Electrical

| | |
|-------------------------------|-------------|
| Current - Maximum per Contact | 1.5A |
| Shield Type | Full Shield |

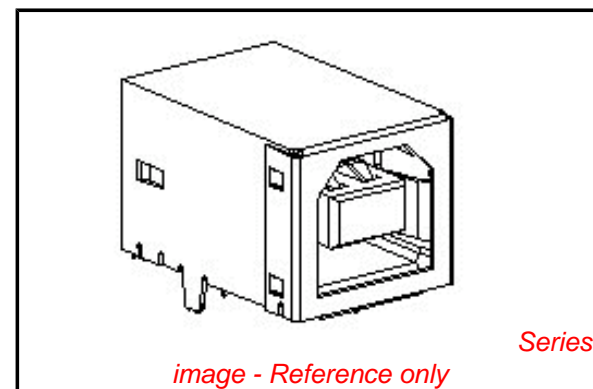


image - Reference only

EU RoHS

**ELV and RoHS
Compliant**
**REACH SVHC
Contains SVHC: No**
**Halogen-Free
Status**

China RoHS



Not Halogen-Free
**Need more information on product
environmental compliance?**

Email productcompliance@molex.com
 For a multiple part number RoHS Certificate of Compliance, [click here](#)

Please visit the [Contact Us](#) section for any non-product compliance questions.

Search Parts in this Series

[67068Series](#)

Mates With

[USB Type B Plug](#)

Shielded
Voltage - Maximum

Yes
30V (RMS)

Material Info

Reference - Drawing Numbers

Product Specification
Sales Drawing

PS-67998-0000
SD-67068-003

This document was generated on 03/31/2010

PLEASE CHECK WWW.MOLEX.COM FOR LATEST PART INFORMATION

10 9 8 7 6 5 4 3 2 1

NOTES :

1. MATERIAL :
 HOUSING : (a) HIGH TEMP. NYLON ,GLASS FIBER FILLED,UL94V-0, COLOR: BLACK,
 (b) POLYESTER , GLASS FIBER FILLED,UL94V-0, COLOR: WHITE,
 TERMINAL : PHOSPHOR BRONZE
 METAL SHELL : COPPER ALLOY

2. PLATING :

TERMINAL :
 CONTACT AREA : (a) GOLD FLASH.
 (b) GLOD (Au), THICKNESS = 30 MICROINCH MINIMUM.
 /0.76 MICROMETER MINIMUM.

SOLDER TAIL :
 PURE TIN(Sn) THICKNESS= 75 MICROINCH MINIMUM .
 /1.9 MICROMETER MINIMUM.

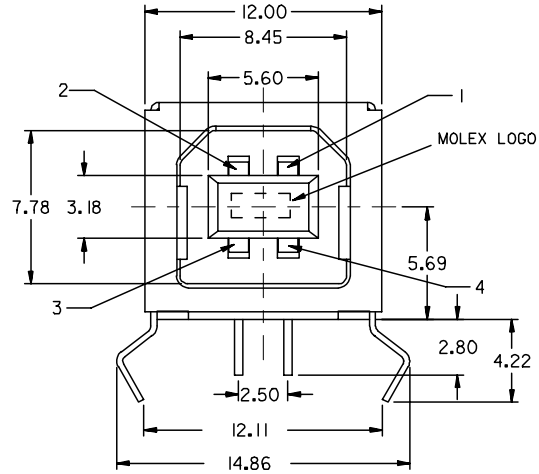
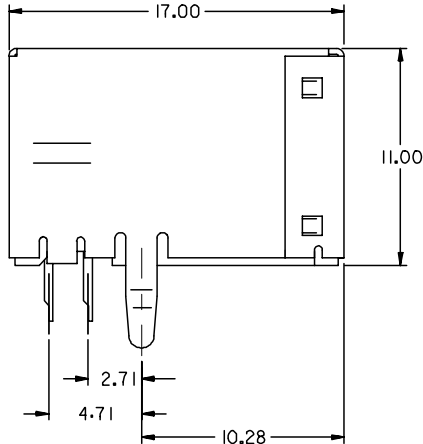
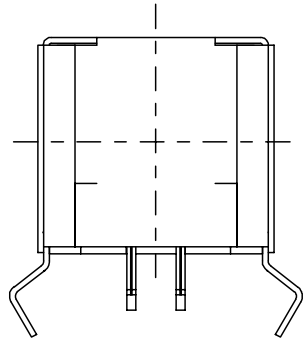
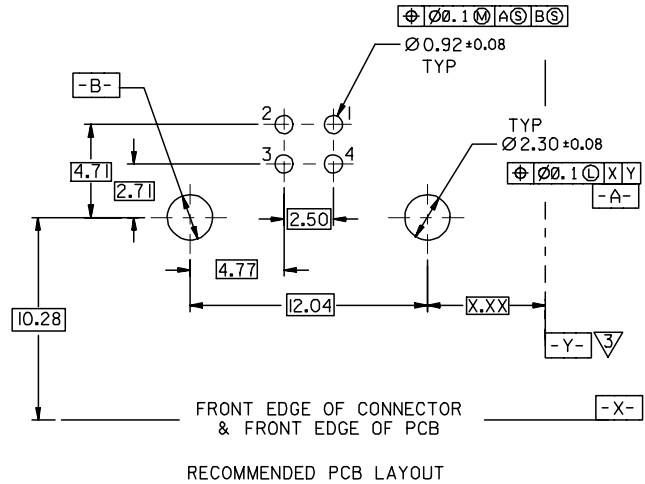
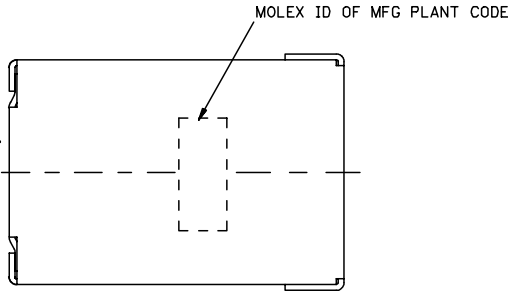
UNDER PLATE : NICKEL (Ni), THICKNESS= 50 MICROINCH MINIMUM.
 /1.27 MICROMETER MINIMUM.

METAL SHELL :
 PURE TIN(Sn) , THICKNESS= 50 MICROINCH MINIMUM.
 /1.27 MICROMETER MINIMUM.

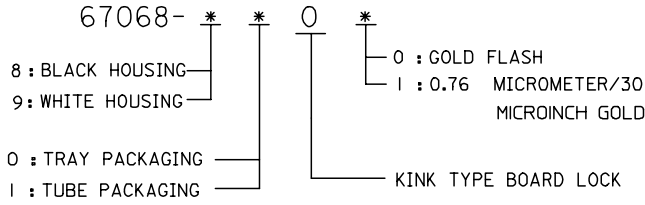
UNDER PLATE : NICKEL (Ni) , THICKNESS= 50 MICROINCH MINIMUM.
 /1.27 MICROMETER MINIMUM.

▽ DATUM AND BASIC DIMENSIONS ESTABLISHED BY CUSTOMER
 RECOMMENDED PCB THICKNESS : 1.60±0.05

4 PRODUCT SPECIFICATION : REFER TO PS-67998-0000



PART NUMBER LEGEND:



| | |
|-------------------------|--------------------------|
| NEW RELEASE | DESCRIPTION |
| EC NO: SH2005-0142 | DRWN: DAVID HU 2004/11/5 |
| CHKD: HARVEY 2004/11/25 | APPR: TYAP 2004/11/25 |
| REV | DESCRIPTION |
| A | |

| |
|-----------------|
| QUALITY SYMBOLS |
| ▽=0 |
| ▽C=0 |

| | |
|--|--------------|
| GENERAL TOLERANCES (UNLESS SPECIFIED) | |
| | mm INCH |
| 4 PLACES | ± --- ± --- |
| 3 PLACES | ± --- ± --- |
| 2 PLACES | ± 0.25 ± --- |
| 1 PLACE | ± 0.25 ± --- |
| ANGULAR ± 3 ° | |
| DRAFT WHERE APPLICABLE MUST REMAIN WITHIN DIMENSIONS | |

| | |
|-------------------------|------------|
| DIMENSION STYLE MM ONLY | |
| DRAWN BY | DATE |
| DAVID HU | 2004/11/05 |
| CHECKED BY | DATE |
| HARVEY | 2004/11/05 |
| APPROVED BY | DATE |
| MATERIAL NO. | |
| DOCUMENT NO. | |
| SEE NOTES | |

| | | |
|---|---------------------|------------------------|
| SCALE 4:1 | DESIGN UNITS METRIC | THIRD ANGLE PROJECTION |
| TITLE | | |
| USB B TYPE CONNECTOR | | |
| KINK TYPE BOARD LOCK | | |
| (LEAD-FREE) | | |
| MOLEX INCORPORATED | | |
| SD-67068-003 | | SHEET NO. 1 OF 4 |
| THIS DRAWING CONTAINS INFORMATION THAT IS PROPRIETARY TO MOLEX INCORPORATED AND SHOULD NOT BE USED WITHOUT WRITTEN PERMISSION | | |

9 8 7 6 5 4 3 2 1

10 9 8 7 6 5 4 3 2 1

NOTES :

1. MATERIAL :
 HOUSING : (a) HIGH TEMP. NYLON, GLASS FIBER FILLED, UL94V-0, COLOR: BLACK,
 (b) POLYESTER, GLASS FIBER FILLED, UL94V-0, COLOR: WHITE,
 TERMINAL : PHOSPHOR BRONZE
 METAL SHELL : COPPER ALLOY

2. PLATING :
 TERMINAL :
 CONTACT AREA : (a) GOLD FLASH.
 (b) GLOD (Au), THICKNESS = 30 MICROINCH MINIMUM.
 /0.76 MICROMETER MINIMUM.

SOLDER TAIL :
 PURE TIN(Sn) THICKNESS= 75 MICROINCH MINIMUM .
 /1.9 MICROMETER MINIMUM.

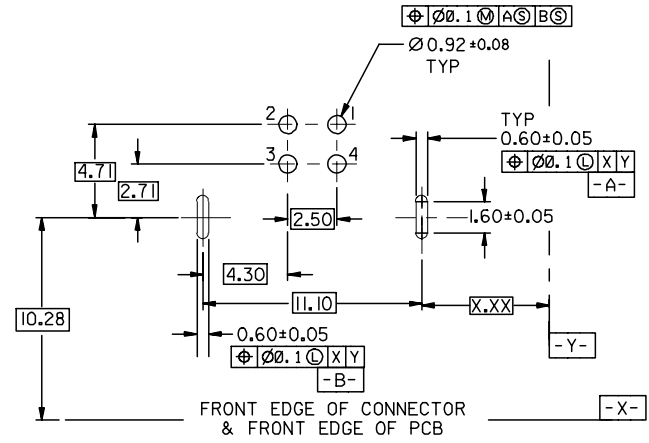
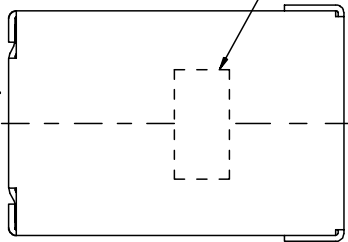
UNDER PLATE : NICKEL (Ni), THICKNESS= 50 MICROINCH MINIMUM.
 /1.27 MICROMETER MINIMUM.

METAL SHELL :
 PURE TIN(Sn) THICKNESS= 50 MICROINCH MINIMUM.
 /1.27 MICROMETER MINIMUM.

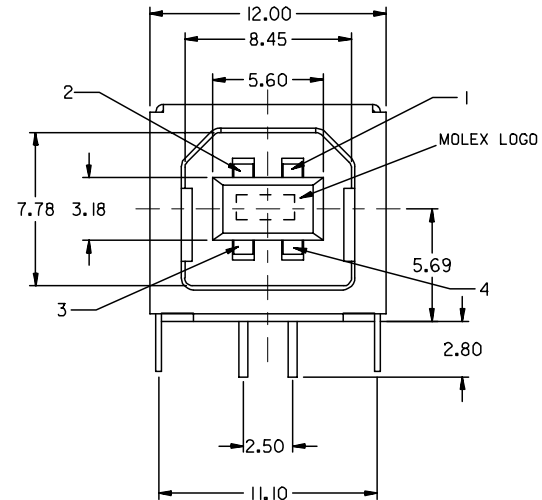
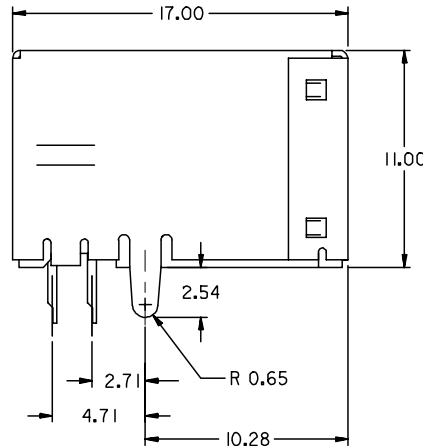
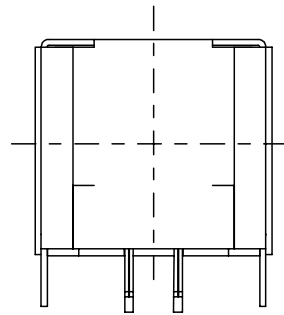
UNDER PLATE : NICKEL (Ni), THICKNESS= 50 MICROINCH MINIMUM.
 /1.27 MICROMETER MINIMUM.

3 DATUM AND BASIC DIMENSIONS ESTABLISHED BY CUSTOMER
 RECOMMENDED PCB THICKNESS : 1.60±0.05
 4 PRODUCT SPECIFICATION ; REFER TO PS-67998-0000

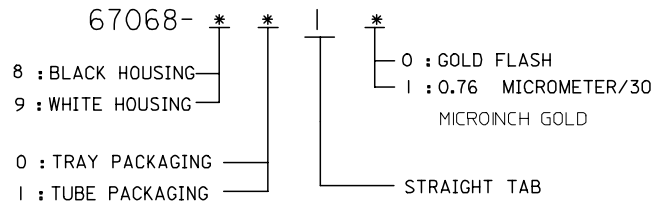
MOLEX ID OF MFG PLANT CODE



RECOMMENDED PCB LAYOUT



PART NUMBER LEGEND:



| | | | | | | | |
|---|-------------------------------|---------------------------------------|--|----------------------------|-----------------------------------|------------------------------|------------------------------------|
| NEW RELEASE EC NO: SH2005-0142 DRWN: DAVID HU 2004/11/5 CHKD: HARVEY 2004/11/25 APPR: TYAP 2004/11/25 | QUALITY SYMBOLS ▽=0 ∇=0 | GENERAL TOLERANCES (UNLESS SPECIFIED) | | DIMENSION STYLE MM ONLY | SCALE 4:1 | DESIGN UNITS METRIC | THIRD ANGLE PROJECTION |
| | | 4 PLACES ± --- ± --- | 3 PLACES ± --- ± --- | 2 PLACES ± 0.25 ± --- | 1 PLACE ± 0.25 ± --- | ANGULAR ± 3 ° | DRAWN BY DAVID HU 2004/11/05 |
| A | REV | DESCRIPTION | DRAFT WHERE APPLICABLE MUST REMAIN WITHIN DIMENSIONS | | APPROVED BY DATE 2004/11/05 | MOLEX INCORPORATED | |
| | | | SEE NOTES | | MATERIAL NO. | DOCUMENT NO. SD-67068-003 | SHEET NO. 2 |

9 8 7 6 5 4 3 2 1

8 7 6 5 4 3 2 1

NOTES :
 1. MATERIAL :
 HOUSING : (a) HIGH TEMP. NYLON, GLASS FIBER FILLED, UL94V-0, COLOR: BLACK,

TERMINAL : PHOSPHOR BRONZE
 METAL SHELL : COPPER ALLOY

2. PLATING :
 TERMINAL :
 CONTACT AREA : (a) GOLD FLASH.
 (b) GL0D (Au), THICKNESS = 30 MICROINCH MINIMUM.
 /0.76 MICROMETER MINIMUM.

SOLDER TAIL :
 PURE TIN(Sn) THICKNESS= 75 MICROINCH MINIMUM .
 /1.9 MICROMETER MINIMUM.

UNDER PLATE : NICKEL (Ni), THICKNESS= 50 MICROINCH MINIMUM.
 /1.27 MICROMETER MINIMUM.

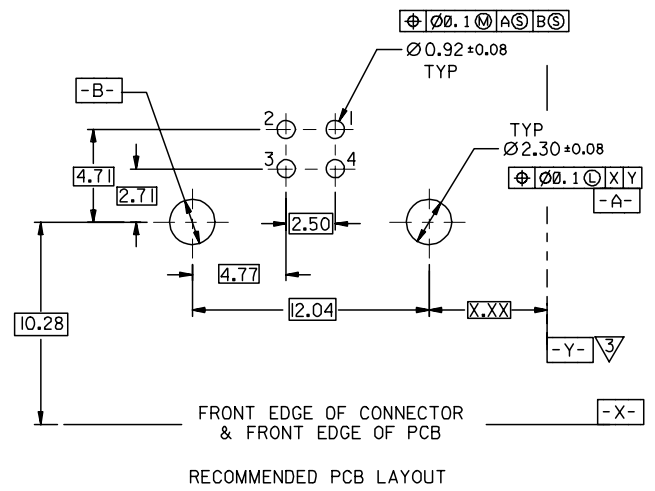
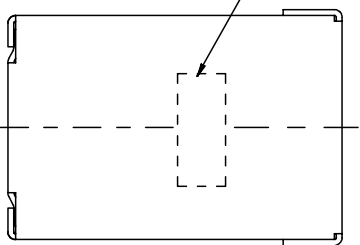
METAL SHELL :
 PURE TIN(SN), THICKNESS= 50 MICROINCH MINIMUM.
 /1.27 MICROMETER MINIMUM.

UNDER PLATE : NICKEL (Ni), THICKNESS= 50 MICROINCH MINIMUM.
 /1.27 MICROMETER MINIMUM.

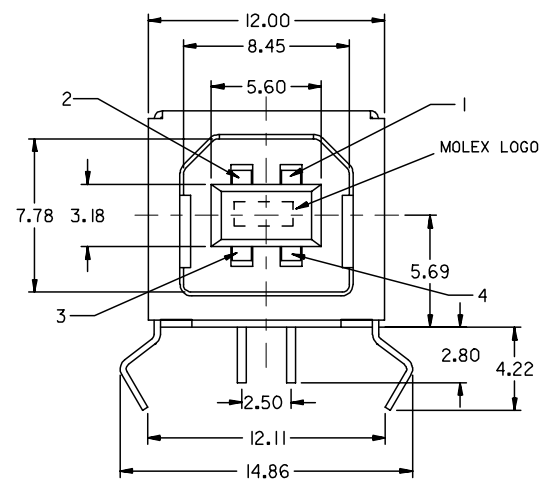
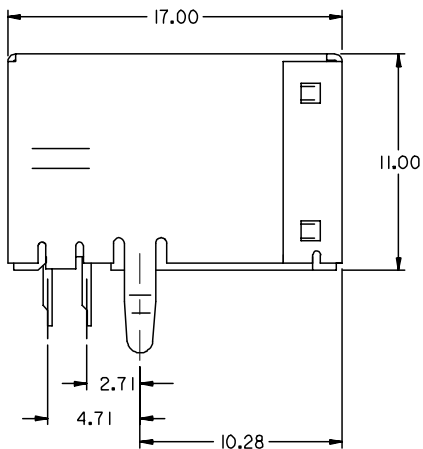
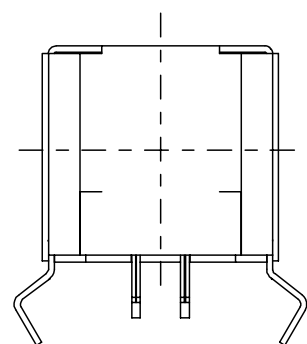
▽ DATUM AND BASIC DIMENSIONS ESTABLISHED BY CUSTOMER
 RECOMMENDED PCB THICKNESS : 1.60±0.05

4 PRODUCT SPECIFICATION : REFER TO PS-67998-0000

MOLEX ID OF MFG PLANT CODE



FRONT EDGE OF CONNECTOR
 & FRONT EDGE OF PCB
 RECOMMENDED PCB LAYOUT



PART NUMBER LEGEND:
 67068- 7041

ENG. NO

EDP NO.

SIMILAR ITEM

CAD FILE :

DO NOT SCALE DRAWING

| | | | | | | |
|---|---------------------------|-----|----------|-------------------------|--------------------------------|---|
| | | | | MATERIAL : SEE NOTES | | MOLEX TAIWAN LTD. SHEET 3 OF 4 |
| | | | | FINISH : SEE NOTES | | |
| | | | | WIRE RANGE : | | GENERAL TOLERANCES ANGLE : ± 3° DIM : ± .25/.010 |
| | | | | INS. RANGE : | | ENG. NO.: SD-67068-003 |
| A | NEW RELEASE FOR LEAD-FREE | | DAVID HU | 2004/11/5 | | REV A |
| LTR | REVISION RECORD | ECN | DR | DATE | DRAWN BY 2004/11/5 DAVID HU | CHK'D BY |
| REVISE ONLY ON CAD SYSTEM | | | | | APPR'D BY | SCALE 4 : 1 |
| TITLE : HIGH TEMP.USB B TYPE CONNECTOR KINK TYPE BOARD LOCK (LEAD-FREE) | | | | | | |

ENG. NO SDA-67068-****

EDP NO.

SIMILAR ITEM

CAD FILE : S6706802

DO NOT SCALE DRAWING

NOTES :

1. MATERIAL :

HOUSING : (a) HIGH TEMP. NYLON, GLASS FIBER FILLED, UL94V-0, COLOR: BLACK,

TERMINAL : PHOSPHOR BRONZE
METAL SHELL : COPPER ALLOY

2. PLATING :

TERMINAL :

CONTACT AREA : (a) GOLD FLASH.
(b) GL0D (Au), THICKNESS = 30 MICROINCH MINIMUM.
/0.76 MICROMETER MINIMUM.

SOLDER TAIL :

PURE TIN(Sn) THICKNESS= 75 MICROINCH MINIMUM .
/1.9 MICROMETER MINIMUM.

UNDER PLATE : NICKEL (Ni), THICKNESS= 50 MICROINCH MINIMUM.

/1.27 MICROMETER MINIMUM.

METAL SHELL :

PURE TIN(Sn) THICKNESS= 50 MICROINCH MINIMUM.
/1.27 MICROMETER MINIMUM.

UNDER PLATE : NICKEL (Ni), THICKNESS= 50 MICROINCH MINIMUM.

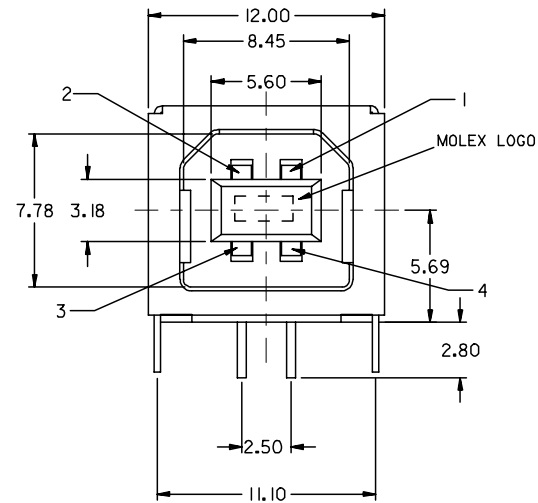
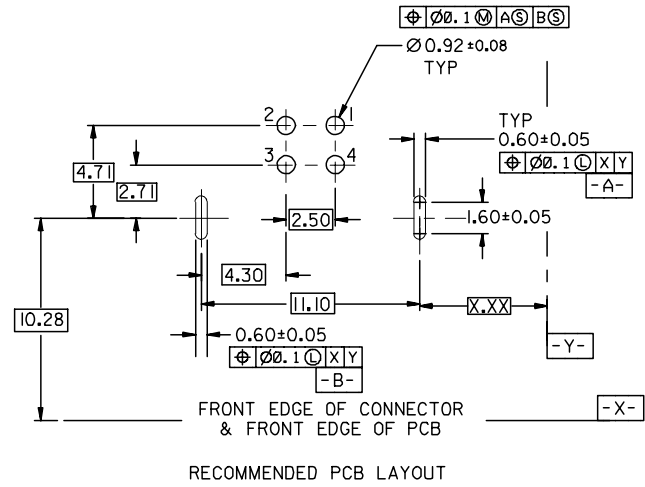
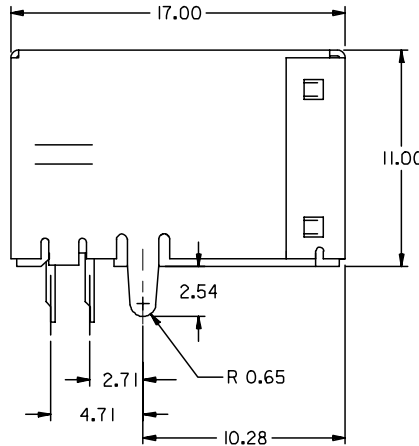
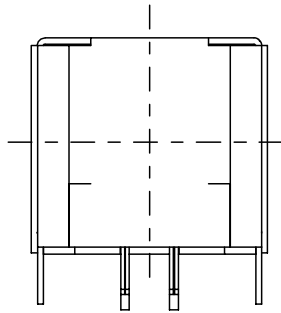
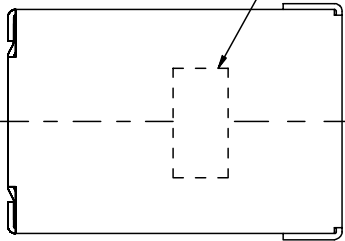
/1.27 MICROMETER MINIMUM.

3 DATUM AND BASIC DIMENSIONS ESTABLISHED BY CUSTOMER

RECOMMENDED PCB THICKNESS : 1.60±0.05


4 PRODUCT SPECIFICATION : REFER TO PS-67998-0000

MOLEX ID OF MFG PLANT CODE



PART NUMBER LEGEND:

67068- 7051

| | | | | | | |
|---------------------------|---------------------------|----------|-----------|--------------------------------|-----------|---|
| | | | | MATERIAL : SEE NOTES | |  MOLEX TAIWAN LTD. SHEET 4 OF 4 |
| | | | | FINISH : SEE NOTES | | |
| | | | | WIRE RANGE : | | GENERAL TOLERANCES ANGLE : ± 3° DIM : ± .25/.010 |
| | | | | INS. RANGE : | | ENG. NO.: SD-67068-003 |
| A | NEW RELEASE FOR LEAD-FREE | DAVID HU | 2004/11/5 | DRAWN BY 2004/11/5 DAVID HU | | REV A |
| LTR | REVISION RECORD | ECN | DR | DATE | CHK'D BY | TITLE : HIGH TEMP USB B TYPE CONNECTOR WITH STRAIGHT TAB (LEAD-FREE) |
| REVISE ONLY ON CAD SYSTEM | | | | | APPR'D BY | SCALE 4 : 1 |