

PLEASE CHECK WWW.MOLEX.COM FOR LATEST PART INFORMATION

Part Number: [0351830217](#)
Status: **Planned for Obsolescence**
Description: 10.00mm (.394") Pitch, 2.36mm (.093") Diameter Female Housing, 2 Circuits

Documents:

[3D Model](#) [Product Specification PS-35183-001 \(PDF\)](#)
[Drawing \(PDF\)](#) [RoHS Certificate of Compliance \(PDF\)](#)

Agency Certification

CSA	LR19980
TUV	R72081037
UL	E29179

General

Product Family	Crimp Housings
Series	35183
Product Name	N/A

Physical

Circuits (maximum)	2
Flammability	94V-1
Gender	Female
Glow-Wire Compliant	No
Number of Rows	1
Packaging Type	Bag
Panel Mount	No
Pitch - Mating Interface (in)	0.394 In
Pitch - Mating Interface (mm)	10.00 mm
Temperature Range - Operating	-25°C to +85°C

Material Info

Reference - Drawing Numbers

Product Specification	PS-35183-001
Sales Drawing	SD-35183-021

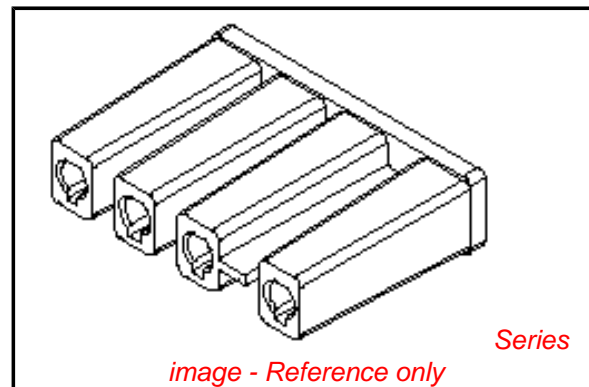


image - Reference only

EU RoHS

**ELV and RoHS
Compliant**
REACH SVHC
 Not Reviewed
**Halogen-Free
Status**

China RoHS



**Need more information on product
environmental compliance?**

Email productcompliance@molex.com
 For a multiple part number RoHS Certificate of
 Compliance, [click here](#)

Please visit the [Contact Us](#) section for any
 non-product compliance questions.

Search Parts in this Series

[35183Series](#)

Mates With

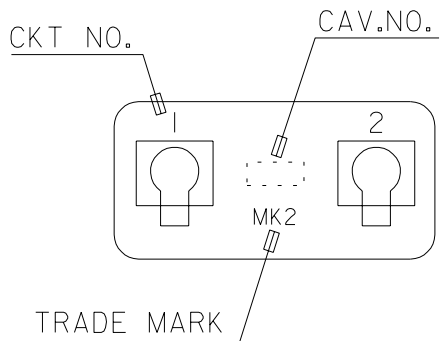
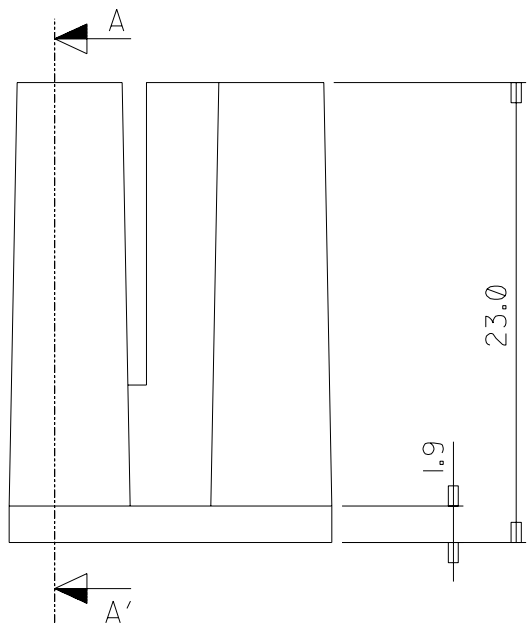
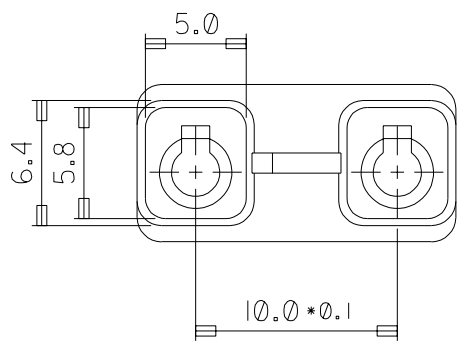
[35309](#)

Use With

[35716](#)

DO NOT SCALE DRAWING DIMENSION IN METRIC

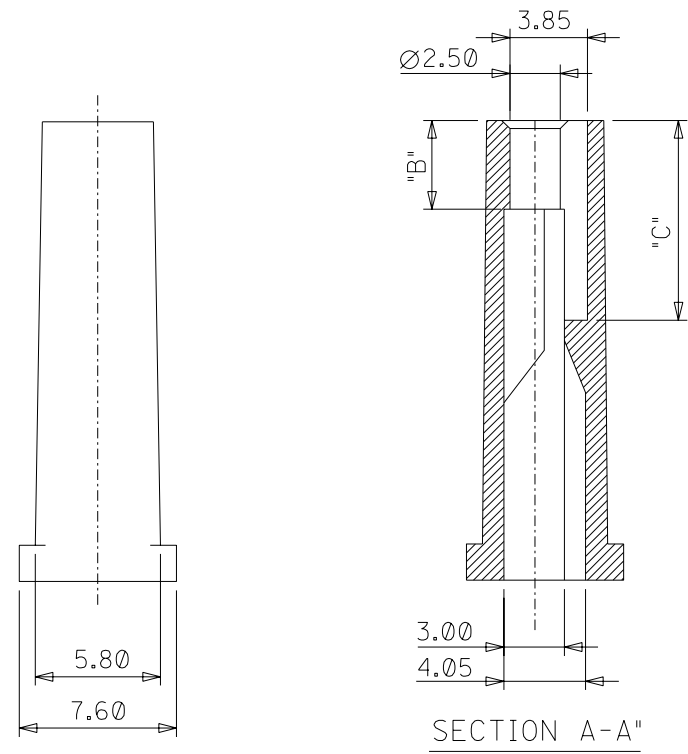
DWG. NO. SD-35183-021
 PROJECT NO. SIMILAR ITEM
 C
 B



MATERIAL NO.	ENG NO.	DIM "B"	DIM "C"	MATERIAL
351830217	35183-0217	4.40	9.90	NORYL,GRAY UL94V-1
351830227	35183-0227	2.40	7.90	

NOTES

- APPLICABLE TERMINALS: 35716-0110, 35716-0310
35716-0190, 35716-0193
- MATED WAFER ASSEMBLY: 35309-0210



REVISED EC NO. KOR2002-0151 DRWN: C.B.CHIN 02/06/07 CHK: W.Y.YNAG APPR: C.W.LEE	QUALITY SYMBOLS MAJOR = 0 CRITICAL = 0	GENERAL TOLERANCES: (UNLESS SPECIFIED)		SCALE 4:1	DESIGN UNITS <input checked="" type="checkbox"/> mm <input type="checkbox"/> INCH	THIRD ANGLE PROJECTION <input type="checkbox"/> mm <input type="checkbox"/> INCH <input checked="" type="checkbox"/> mm ONLY	SHT	REV
		4 PLACES ±. INCH	3 PLACES ±. INCH	2 PLACES ±0.30	1 PLACE ±0.30	DRAWN BY & DATE W.Y.YANG 95/01/17		TITLE: 2.36 HOUSING-2P
C2	REV	ANGULAR: ± °		CHECKED BY & DATE B.K.CHOI 95/01/17		MOLEX MOLEX INCORPORATED		
		DRAFT WHERE APPLICABLE MUST REMAIN WITHIN DIMENSIONS		APPROVED BY & DATE C.W.LEE 95/01/17		CAD FILENAME S1830217.DGN	MATERIAL NO. SEE CHART	DRAWING NO. SD-35183-021
THIS DRAWING CONTAINS INFORMATION THAT IS PROPRIETARY TO MOLEX INCORPORATED AND SHOULD NOT BE USED WITHOUT WRITTEN PERMISSION.							SIZE B	