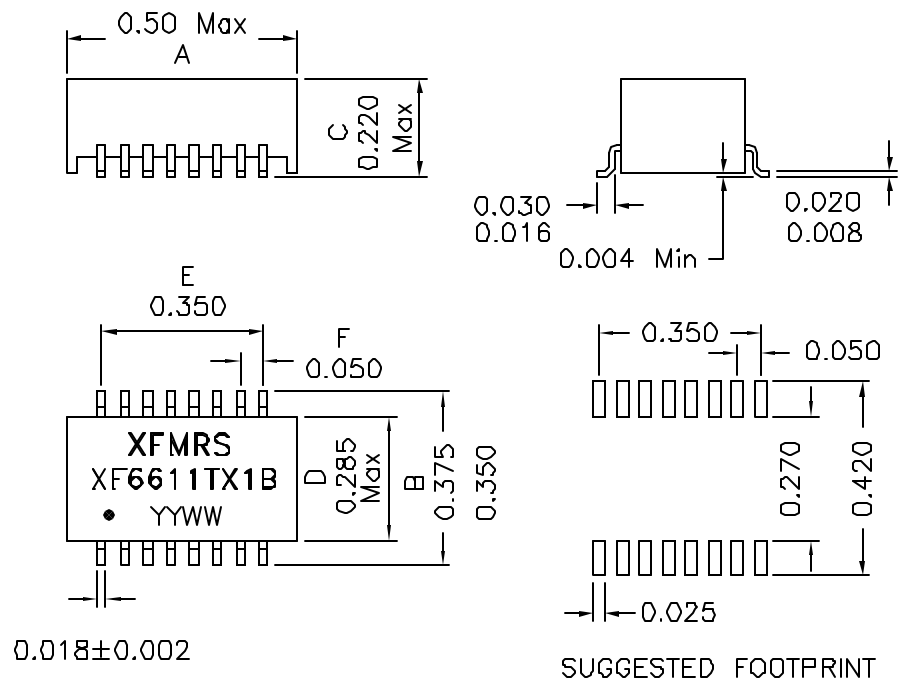
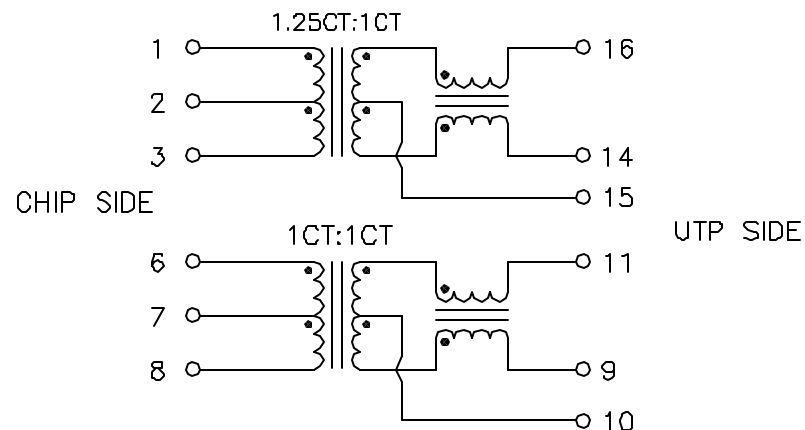


1. Dimensions:



2. Schematic:



3. Electrical Specifications: @25°C

Turns Ratio: TX 1.25CT:1CT (±5%) RX 1CT:1CT (±5%)
 Isolation Voltage: 1500 Vrms (Input to Output)
 UTP Side OCL: 350uH Minimum @100KHz, 100mV 8mADC
 Insertion Loss (0.1–100MHz): 1.0dB Typ
 Return Loss (dB Typ):

30MHz	60MHz	80MHz
-16	-12	-10

Crosstalk (dB Max):

32MHz	62MHz	100MHz
-40	-35	-35

Notes:

- Solderability: Leads shall meet MIL-STD-202, Method 208D for solderability.
- Flammability: UL94V-0
- ASTM oxygen index: > 28%
- Insulation System: Class F 155°C. UL file E151556
- Operating Temperature Range: All listed parameters are to be within tolerance from 0°C to +70°C
- Storage Temperature Range: -55°C to +125°C
- Aqueous wash compatible

DOC. REV: A/5

PROPRIETARY Document is the property of XFMR5 Group & is not allowed to be duplicated without authorization.

XFMR5 Inc.		Title: 10/100BASE-TX MAGNETICS		
UNLESS OTHERWISE SPECIFIED TOLERANCES: .xxx ±0.010 Dimensions in Inch SCALE 2:1 SHT 1 OF 1	P/N: XF6611TX1B		REV. A	
	DWN.	Juan Mao	Apr-21-04	
	CHK.	YK Liao	Apr-21-04	
	APP.	BW	Apr-21-04	