

CQ223-4M  
CQ223-4N

**SURFACE MOUNT  
4 AMP SILICON TRIAC  
600 THRU 800 VOLTS**



**SOT-223 CASE**



[www.centralemi.com](http://www.centralemi.com)

**DESCRIPTION:**

The CENTRAL SEMICONDUCTOR CQ223-4M series type is an Epoxy Molded Silicon Triac designed for full wave AC control applications featuring gate triggering in all four (4) quadrants.

**MARKING: FULL PART NUMBER**

<b>MAXIMUM RATINGS:</b> ( $T_C=25^\circ\text{C}$ unless otherwise noted)	<b>SYMBOL</b>	<b>CQ223-4M</b>	<b>CQ223-4N</b>	<b>UNITS</b>
Peak Repetitive Off-State Voltage	$V_{DRM}$	600	800	V
RMS On-State Current ( $T_C=80^\circ\text{C}$ )	$I_{T(RMS)}$	4.0		A
Peak Non-Repetitive Surge Current, $t=8.3\text{ms}$	$I_{TSM}$	40		A
Peak Non-Repetitive Surge Current, $t=10\text{ms}$	$I_{TSM}$	35		A
$I^2t$ Value for Fusing, $t=10\text{ms}$	$I^2t$	6.0		$\text{A}^2\text{s}$
Peak Gate Power, $t_p=10\mu\text{s}$	$P_{GM}$	3.0		W
Average Gate Power Dissipation	$P_{G(AV)}$	0.2		W
Peak Gate Current, $t_p=10\mu\text{s}$	$I_{GM}$	1.2		A
Operating Junction Temperature	$T_J$	-40 to +125		$^\circ\text{C}$
Storage Temperature	$T_{stg}$	-40 to +150		$^\circ\text{C}$
Thermal Resistance	$\theta_{JA}$	62.5		$^\circ\text{C/W}$

**ELECTRICAL CHARACTERISTICS:** ( $T_C=25^\circ\text{C}$  unless otherwise noted)

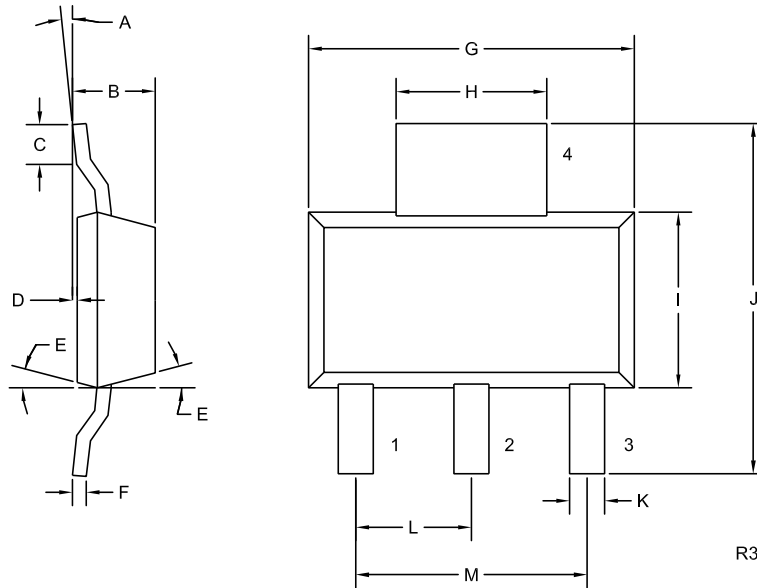
<b>SYMBOL</b>	<b>TEST CONDITIONS</b>	<b>MIN</b>	<b>TYP</b>	<b>MAX</b>	<b>UNITS</b>
$I_{DRM}$	Rated $V_{DRM}$ , $R_{GK}=1\text{K}\Omega$			10	$\mu\text{A}$
$I_{DRM}$	Rated $V_{DRM}$ , $R_{GK}=1\text{K}\Omega$ , $T_C=125^\circ\text{C}$			200	$\mu\text{A}$
$I_{GT}$	$V_D=12\text{V}$ , QUAD I, II, III		2.5	5.0	mA
$I_{GT}$	$V_D=12\text{V}$ , QUAD IV		5.4	9.0	mA
$I_H$	$R_{GK}=1\text{K}\Omega$		1.6	5.0	mA
$V_{GT}$	$V_D=12\text{V}$ , QUAD I, II, III, IV		0.95	1.75	V
$V_{TM}$	$I_{TM}=6.0\text{A}$ , $t_p=380\mu\text{s}$		1.25	1.75	V
dv/dt	$V_D=2/3 V_{DRM}$ , $T_C=125^\circ\text{C}$	11			V/ $\mu\text{s}$

CQ223-4M  
CQ223-4N



**SURFACE MOUNT  
4 AMP SILICON TRIAC  
600 THRU 800 VOLTS**

**SOT-223 CASE - MECHANICAL OUTLINE**



**LEAD CODE:**

- 1) MT1
- 2) MT2
- 3) Gate
- 4) MT2

**MARKING:**

**FULL PART NUMBER**

DIMENSIONS				
SYMBOL	INCHES		MILLIMETERS	
	MIN	MAX	MIN	MAX
A	0°	10°	0°	10°
B	0.059	0.071	1.50	1.80
C	0.018	—	0.45	—
D	0.000	0.004	0.00	0.10
E	15°		15°	
F	0.009	0.014	0.23	0.35
G	0.248	0.264	6.30	6.70
H	0.114	0.122	2.90	3.10
I	0.130	0.146	3.30	3.70
J	0.264	0.287	6.70	7.30
K	0.024	0.033	0.60	0.85
L	0.091		2.30	
M	0.181		4.60	

SOT-223 (REV: R3)

R2 (12-February 2010)