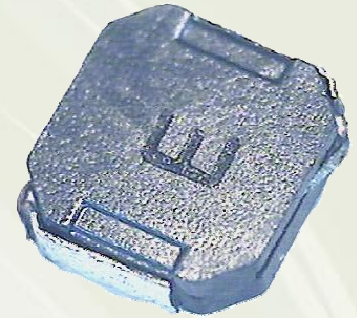


Power Inductor CDPH45D16F



■ Features

- ◎ Small size inductor: 4.9 × 4.7mm Max. (L × W) and 1.8mm Max height.
- ◎ Operating temperature range: -40°C~+105°C.
- ◎ Magnetically shielded.
- ◎ RoHS compliance.

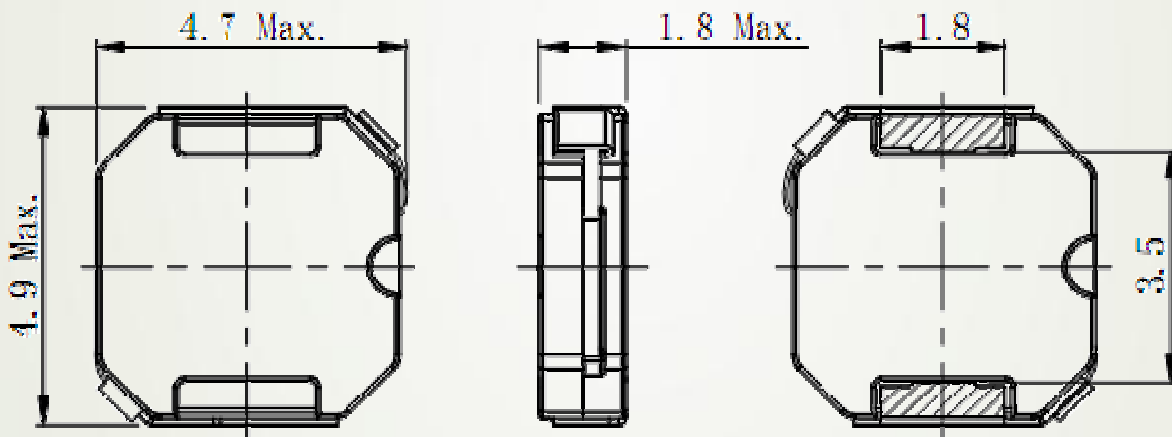


■ Applications

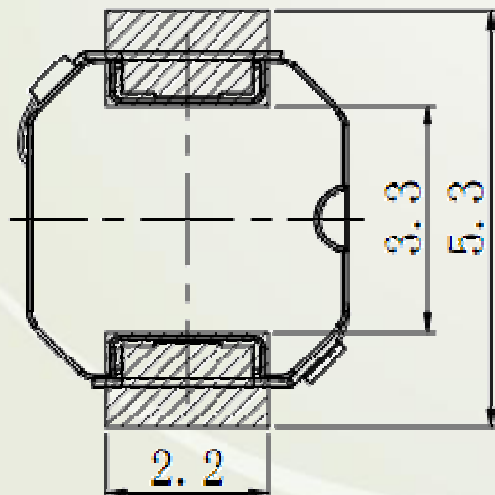
Low profile, surface mount inductor for PDA, mobile phone, and other portable smart devices.

■ Shapes and Dimensions/Recommended Land Patterns(mm)

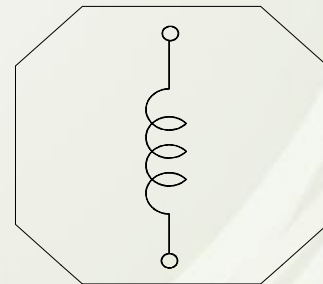
◆ Dimensions



◆ Land pattern



◆ Schematics (Bottom)



Power Inductor CDPH45D16F



■Electrical Characteristics specification.

Sumida P/N	Stamp	Inductance (μ H) at 100KHz	D.C.R. ($m\Omega$) Max. (Typ.) at 20°C	Saturation Current (A) ※1	Temperature Rise Current (A) ※2
CDPH45D16FHF-4R3M□	E	4.3±20%	85 (68)	2.00 (2.50)	2.00 (2.25)
CDPH45D16FHF-6R8M□	F	6.8±20%	138 (110)	1.45 (1.80)	1.45 (1.65)
CDPH45D16FHF-8R2M□	G	8.2±20%	150 (120)	1.35 (1.70)	1.45 (1.65)
CDPH45D16FHF-100M□	J	10±20%	161(129)	1.30 (1.60)	1.45 (1.65)
CDPH45D16FHF-120M□	K	12±20%	233 (186)	1.20 (1.55)	1.05 (1.20)
CDPH45D16FHF-150M□	L	15±20%	341(273)	1.10 (1.40)	0.90 (1.05)
CDPH45D16FHF-180M□	M	18±20%	375 (300)	0.90 (1.15)	0.90 (1.00)
CDPH45D16FHF-220M□	N	22±20%	393 (314)	0.90 (1.10)	0.90 (1.00)

※. () Typical value.

※1. Saturation current: The DC current at which the inductance decreases to 70% of its nominal value.

※2. Temperature rise current: The DC current at which the temperature rise is $\Delta t=40^{\circ}\text{C}$ ($T_a=20^{\circ}\text{C}$).

For More Information

Hong Kong

Tel.+852-2880-6688
FAX.+852-2565-9600

Shanghai

Tel.+86-021-58363299
FAX.+86-021-58363266

Shenzhen

Tel.+86-755-82910228
FAX.+86-755-82910338

Taipei

Tel.+886-2-27065228
FAX.+886-2-27065229

Tokyo

Tel.+81-3-5202-7112
FAX.+81-3-5202-7105

Seoul

Tel.+82-2-6237-0777
FAX.+82-2-6237-0778

Singapore

Tel.+65-6296-3388
FAX.+65-6296-3390

Malaysia

Tel.+60-3-8733-0900
FAX.+60-3-8737-7384

Chicago

Tel.+1-847-545-6700
FAX.+1-847-545-6720

California

Tel.+1-408-321-9660
FAX.+1-408-321-9308