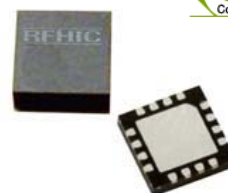


Product Features

- 3-Way Splitter
- Small size (3X3 mm)
- QFN SMD Type package
- Higher productivity
- Lower manufacturing cost
- -63dBc CSO 135 Channels @ +15dBmV/ch
- -72dBc CTB 135 Channels @ +15dBmV/ch
- -65dBc XMD 135 Channels @ +15dBmV/ch
- 4.5 dB Typical Noise Figure
- 75 ohm input and outputs

Application

- Multi Tuner Set-Top Boxes
- Home Gateways
- FTTx (G-PON, GE-PON)



Package : QFN 3X3

Description

AD311 is designed as low cost Active Divider for many applications including FTTH, CATV System.

This MMIC is based on Gallium Arsenide Enhancement Mode pHEMT which shows low current draw and very low noise.

The data in this spec sheet is valid only for 75 ohm application.

Specifications

PARAMETER		UNIT	MIN	TYP	MAX	Condition
Frequency		MHz	50 ~ 1000			
Gain		dB	7	8		
Gain Flatness		dB		0.3	1	
Input Return Loss		dB		-12		
Output Return Loss		dB		-10		
IN&OUT Port Isolation		dB		-25		
OUT&OUT Port Isolation		dB		-40		
Output IP3		dBm	29	32		
1dB Compression Point		dBm	14	17.8		
Noise Figure		dB		4.5	6	
CSO	30 ~ 870MHz	dBc		-63	-60	135 channel@ Input Power +15dBmV/ch
CTB		dBc		-72	-65	
XMOD		dBc		-65	-60	
DC Current		mA		125		Vdd = 5.0V

NOTE

1. Test conditions unless otherwise noted. Test Freq = 500MHz, T=25°C, Vdd=5V, 75Ω system
2. OIP3 measured with 2 tones at an output power of +0dBm/tone separated by 1MHz, Test Freq = 500MHz

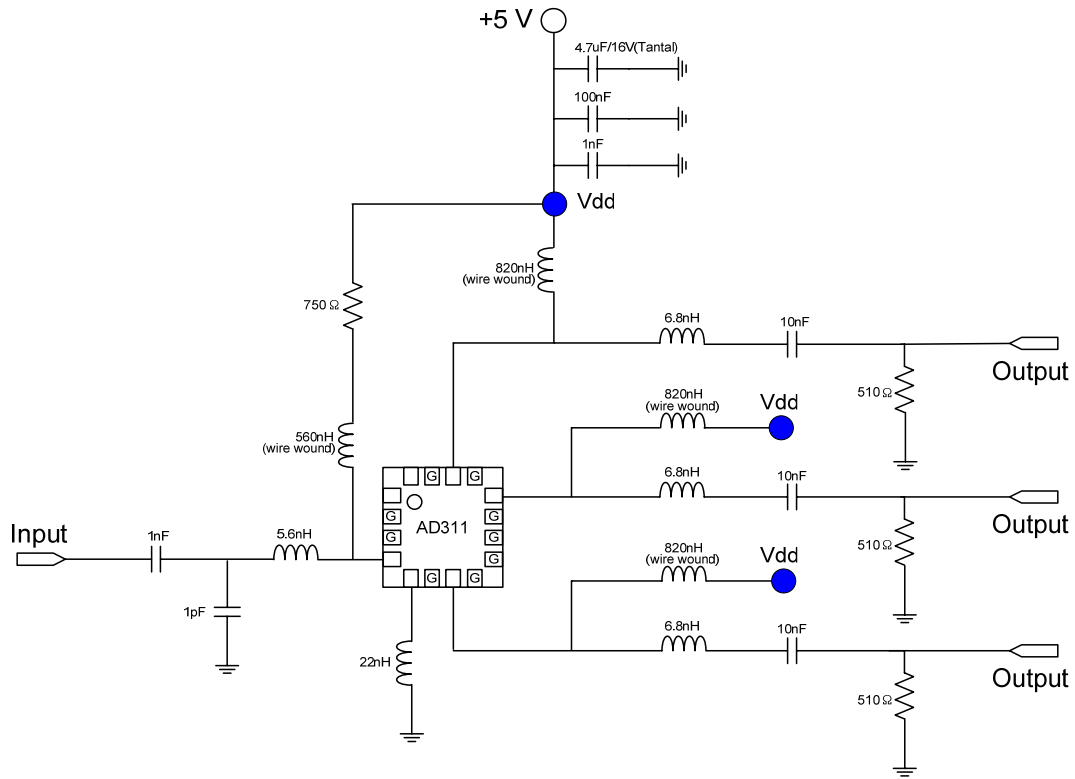
Absolute Minimum and Maximum Ratings

PARAMETER	UNIT	MIN	TYP	MAX
Device Voltage	VDC		+5	+5.5
Operating Temperature	°C	-40		+85
Storage Temperature	°C	-40		+150

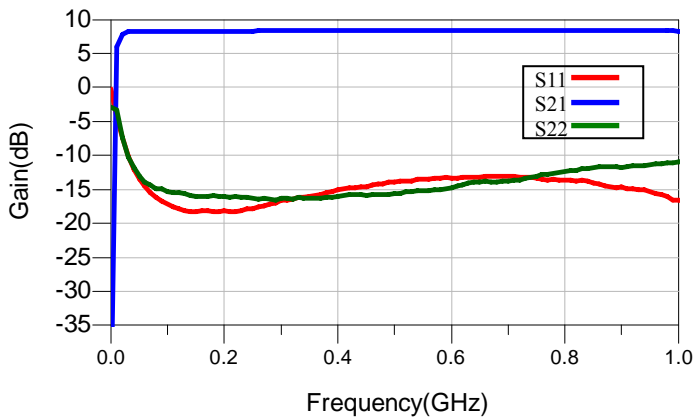
E-pHEMT MMIC AD311 (Preliminary)



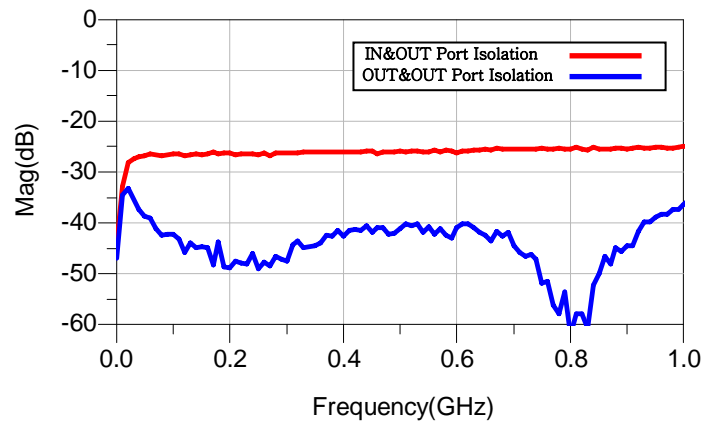
Application Circuit: 50~ 1000MHz, 5v, 75ohm System



S-Parameter



Isolation



Multi-Tone Test 135CH_FLAT@Input Power +15dBmV/Ch

Level: Input +15dBmV		Tilt: 135CH								
FRQ	XMD(NCTA)	CTB_RAW	CTB_COR	N-FLR	CSU_RAW	CSU_COR	CSU_FRQ	CSL_RAW	CSL_COR	CSL_FRQ
55.25	65.7	74	74.4	84.5	82.7	87	56	70.7	71	54
77.25	66	74.3	74.7	84.6	71.6	71.8	77.99	84	88.3	76.14
109.25	65.7	73.9	74.2	84.8	83.3	87.6	109.99	71.2	71.4	107.99
211.25	65.8	72.6	72.9	84.3	79.2	80.8	212.5	70.5	70.7	209.99
331.25	66.1	72.2	72.6	83.5	73.3	73.7	332.49	67.5	67.6	329.99
445.25	66.8	72.4	72.3	83.2	67	70	446.49	64.7	66	443.99
547.25	67.3	72.9	73.4	82.3	67.3	67.5	548.49	66.1	66.2	545.99
637.25	68.2	73.3	73.9	82.4	66.3	66.4	638.5	67.4	67.6	635.99
745.25	68.8	73.7	74.4	82.2	64.7	64.7	746.49	71.3	71.6	743.99
859.25	69.2	74.3	75.5	80.3	63.1	63.1	860.49	73.9	75	858.49
Min	65.7	72.2	72.3	80.3	63.1	63.1	56	64.7	66	54
Max	69.2	74.3	75.5	84.8	83.3	87.6	860.49	84	88.3	858.49

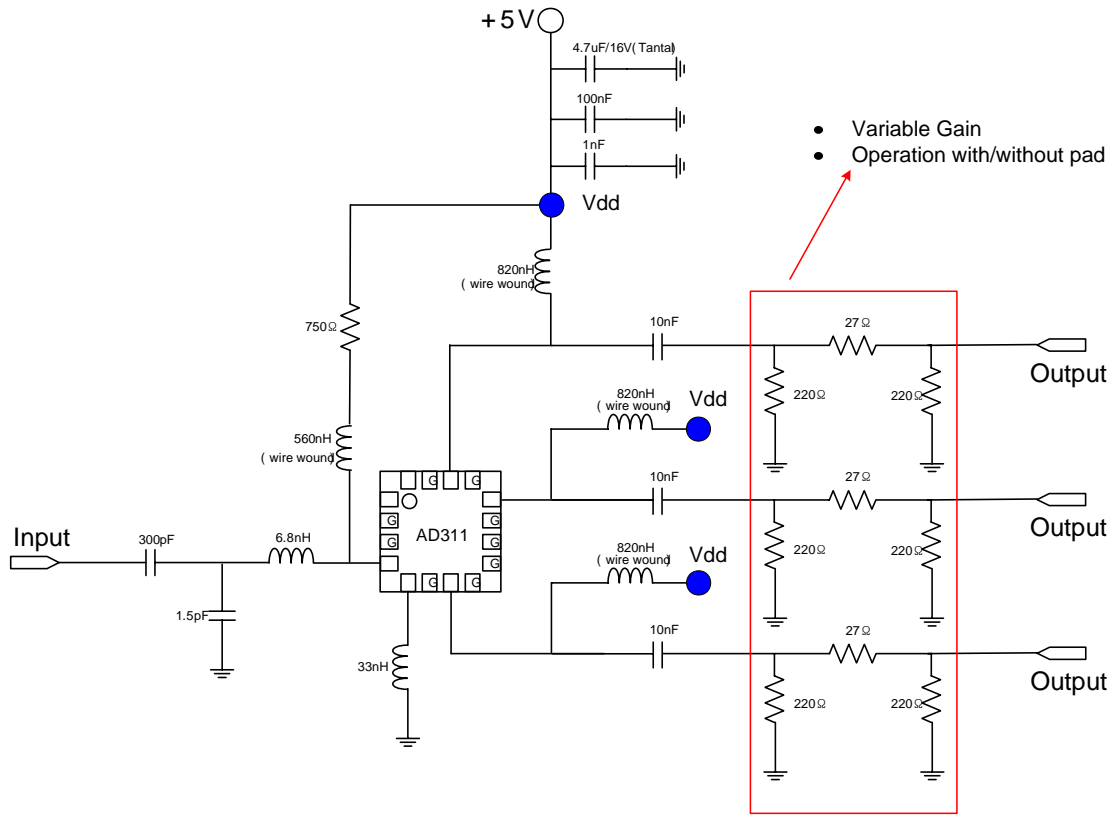
⊙ Specifications (Insert Pad)

Parameter	Unit	Typical Data	Condition
Frequency	MHz	50~1000	
Supply Voltage	V	5	
Gain	dB	4.2	
Gain Flatness	dB	0.3	
Input Return Loss	dB	-17	
Output Return Loss	dB	-18	
IN&OUT Port Isolation	dB	-29	
OUT&OUT Port Isolation	dB	-40	
OIP3	dBm	27	
P1dB	dBm	13	
Noise Figure	dB	4.5	
CSO	dBc	-61	135 channel, +15dBmV/ch
CTB	dBc	-74	135 channel, +15dBmV/ch
XMOD	dBc	-69	135 channel, +15dBmV/ch
DC Current	mA	125	Vdd = 5.0V

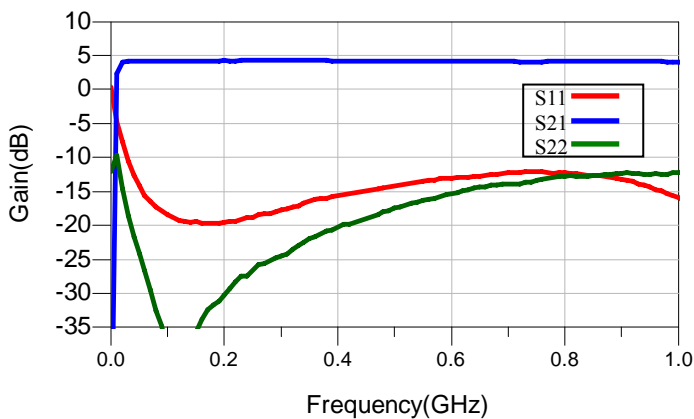
E-pHEMT MMIC (Preliminary)



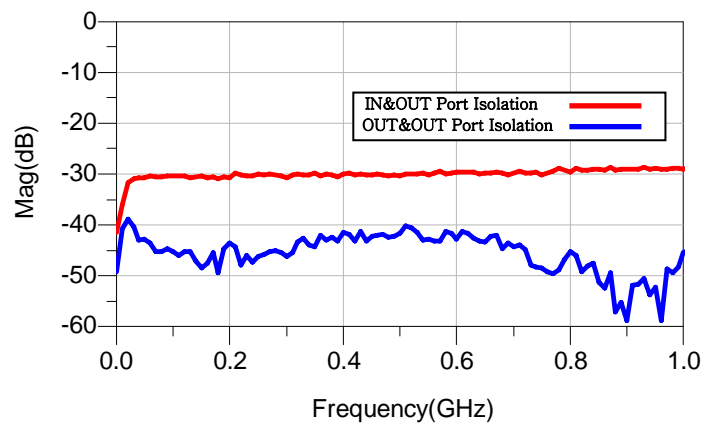
Application Circuit: 50~ 1000MHz, 5v, 75ohm System (Insert Pad)



S-Parameter



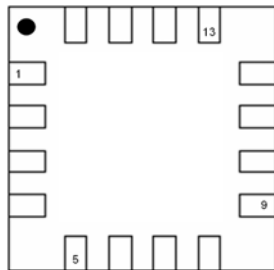
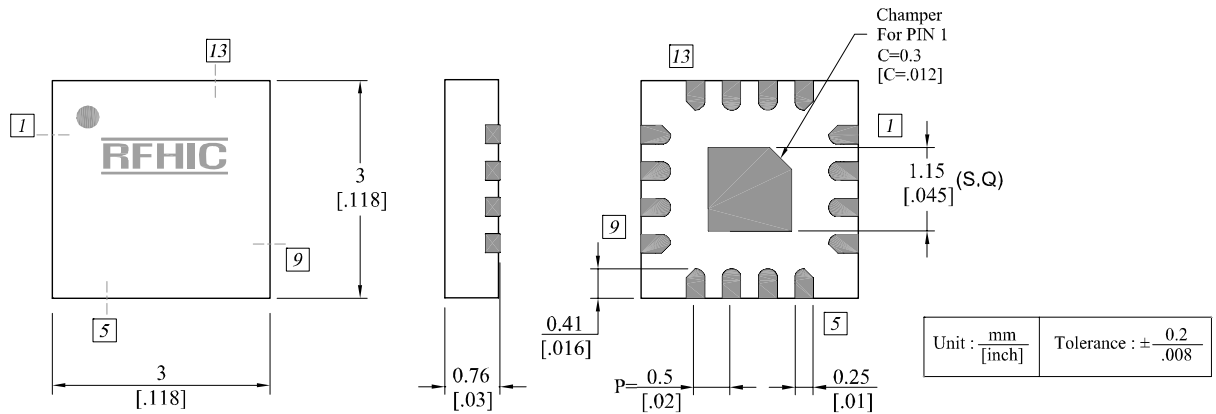
Isolation



Multi-Tone Test 135CH_FLAT@Input Power +15dBmV/Ch

Level: +15dBmV		Tilt: 135CH_FLAT								
FRQ	XMD(NCTA)	CTB_RAW	CTB_COR	N-FLR	CSU_RAW	CSU_COR	CSU_FRQ	CSL_RAW	CSL_COR	CSL_FRQ
55.25	69.3	76.4	78.6	80.6	77.8	81.4	56	61.1	61.1	53.99
77.25	69.4	76.7	78.9	80.7	61.7	61.7	78	80.3	84.6	76.2
109.25	69.3	76	77.7	80.8	78.1	81.7	110	61.8	61.8	108
211.25	69	75.2	76.7	80.6	74.1	75.3	212.5	63.2	63.2	210
331.25	69.6	74.3	76.2	79	70.2	70.8	332.5	63	63.1	329.99
445.25	69.7	75	76.5	80.5	68.7	69.1	446.49	64.4	64.5	443.99
547.25	69.9	74.2	76.4	78.2	65.3	65.5	548.49	64	64.2	545.99
637.25	70.1	74.7	77.2	78.4	65.2	65.4	638.5	66.5	66.8	635.98
745.25	70.3	75	78	78.2	64.2	64.4	746.49	71.1	72.1	743.99
859.25	70.5	74.4	78.7	76.4	62.6	62.8	860.5	73.7	76.7	858.49
Min	69	74.2	76.2	76.4	61.7	61.7	56	61.1	61.1	53.99
Max	70.5	76.7	78.9	80.8	78.1	81.7	860.5	80.3	84.6	858.49

Package Dimensions (Type :QFN3)



Pin No	Function
4	Input
5	Input Matching
7	Output - 1
12	Output - 2
14	Output - 3
2, 3, 10, 11	GND
Other	NC

RFHIC Corporation (RFHIC) reserves the right to make changes to any products herein or to discontinue any product at any time without notice. RFHIC do not assume any liability for the suitability of its products for any particular purpose, and disclaims any and all liability, including without limitation consequential or incidental damages. The product specifications herein expressed have been carefully checked and are assumed to be reliable. However, RFHIC disclaims liability for inaccuracies and strongly recommends buyers to verify that the information they are using is current before placing purchase orders. RFHIC products are not intended for use in life support equipment or application where malfunction of the product can be expected to result in personal injury or death. Buyer uses or sells such products for any such unintended or unauthorized application, buyer shall indemnify, protect and hold RFHIC and its directors, officers, stockholders, employees, representatives and distributors harmless against any and all claims arising out of such use. RFHIC's liability under or arising out of damages, claims of whatsoever kind and nature which RFHIC products could cause shall be limited in amount to the net purchase price of the products sold to buyer by RFHIC.