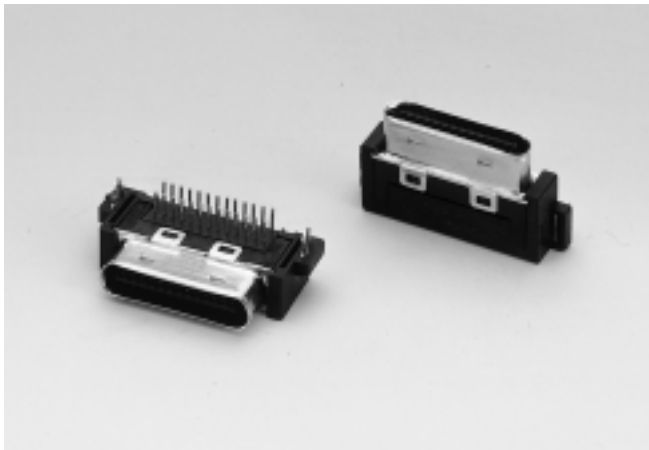


# HALF PITCH ULTRA THIN D-SUB

(MALE SOLDER P.C.B. MOUNT TYPE)

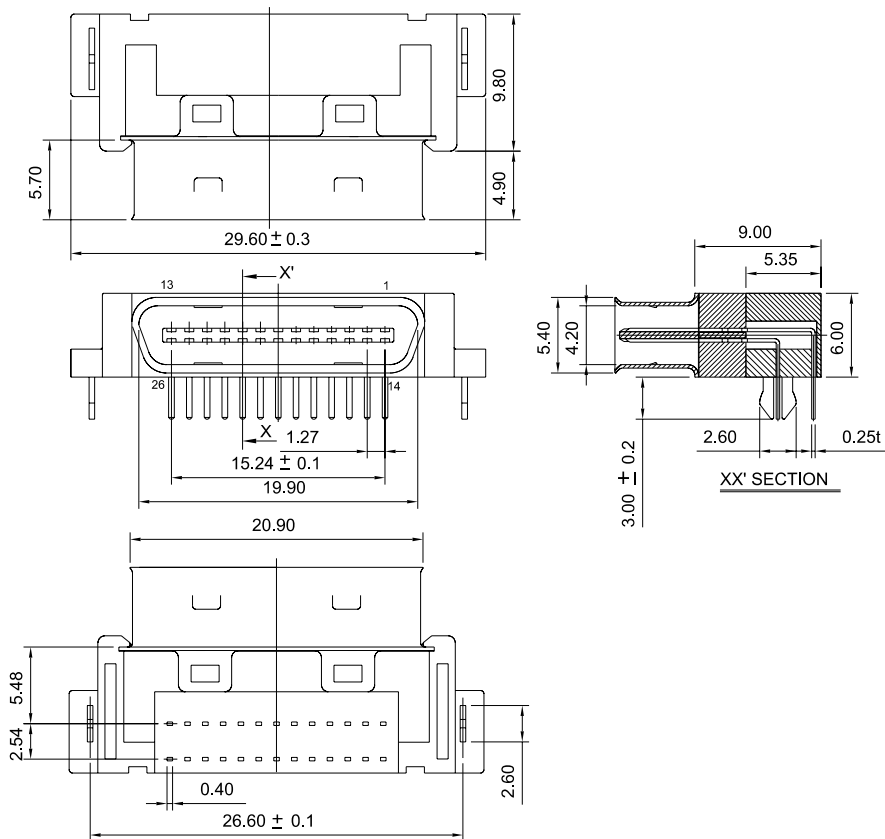


## 127120MR Series

Mates with SUYIN 127113, 127115 Series

### Specifications:

- **26 Circuits**
- **Insulator Material** : Black High Temp. Plastic
- **Operating Temp. Range** : -40°C to +105°C
- **Terminal Material** : Phosphor Bronze
- **Plating** : Selective Plated (Gold/Tin)  
: Metal shell-Nickel Plated
- **Max. Current Rating** : 0.5A
- **Voltage Rating** : 150V AC
- **Dielectric Strength** : 500V (Min. 60 Seconds)



I/O

## Order Information

## Recommended P.C.B Layout I

## Recommended P.C.B Layout II

127120MR026S500ZU  
1 2 3 4 5

1. 'R' : Right Angle Dip Type
  2. No. of Pins
  3. Plating  
'S5' : 30u" selctive gold  
in contact area  
/min. 100u"tin solder  
area
  4. Color 'Z' : Black
  5. Package  
'U' : Tube Package Without Cap
- Reference Page 11

