

**PLEASE CHECK WWW.MOLEX.COM FOR LATEST PART INFORMATION**

**Part Number:** [0681452821](#)  
**Status:** **Active**  
**Description:** 2.50mm (.098") Pitch Wire-to-Board Header, 1.02mm (.040") Tab Type, Right Angle, 28 Circuits, Black

**Documents:**

[3D Model](#) [Product Specification PS-68145-002 \(PDF\)](#)  
[Drawing \(PDF\)](#) [RoHS Certificate of Compliance \(PDF\)](#)

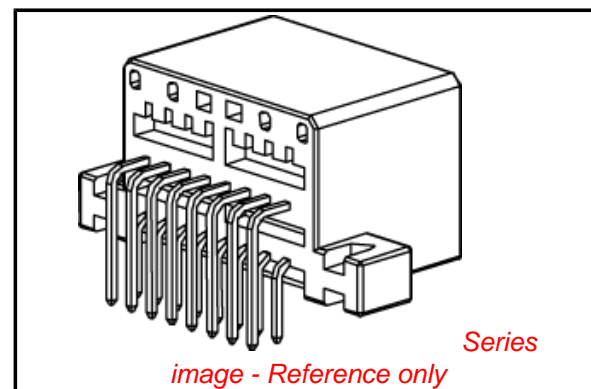
**General**

Product Family	PCB Headers
Series	<a href="#">68145</a>
Application	Wire-to-Board
Product Name	N/A

**Physical**

Breakaway	No
Circuits (Loaded)	28
Circuits (maximum)	28
Color - Resin	Black
Durability (mating cycles max)	50
First Mate / Last Break	No
Glow-Wire Compliant	No
Guide to Mating Part	No
Keying to Mating Part	None
Lock to Mating Part	Yes
Material - Metal	Brass
Material - Plating Mating	Tin
Material - Plating Termination	Tin
Material - Resin	Polyester
Number of Rows	2
Orientation	Right Angle
PC Tail Length (in)	0.157 In
PC Tail Length (mm)	4.00 mm
PCB Locator	No
PCB Retention	Yes
PCB Thickness Recommended (in)	0.047 In
PCB Thickness Recommended (mm)	1.20 mm
Packaging Type	Tray
Pitch - Mating Interface (in)	0.098 In
Pitch - Mating Interface (mm)	2.50 mm
Pitch - Term. Interface (in)	0.098 In
Pitch - Term. Interface (mm)	2.50 mm
Plating min: Mating (µin)	32
Plating min: Mating (µm)	0.8
Plating min: Termination (µin)	32
Plating min: Termination (µm)	0.8
Polarized to Mating Part	Yes
Polarized to PCB	Yes
Shrouded	Closed Ends
Stackable	No
Surface Mount Compatible (SMC)	No
Temperature Range - Operating	-30°C to +85°C
Termination Interface: Style	Through Hole

**Electrical**



**EU RoHS**

**ELV and RoHS  
Compliant**  
**REACH SVHC  
Not Reviewed**  
**Halogen-Free  
Status  
Not Reviewed**

**China RoHS**



**Need more information on product  
environmental compliance?**

Email [productcompliance@molex.com](mailto:productcompliance@molex.com)  
For a multiple part number RoHS Certificate of Compliance, [click here](#)

Please visit the [Contact Us](#) section for any non-product compliance questions.

**Search Parts in this Series**

[68145Series](#)

**Mates With**

[64002](#) Crimp Housing. [35563](#) Crimp Housing

Current - Maximum per Contact  
Voltage - Maximum

5A  
13V DC (RMS)

**Material Info**

**Reference - Drawing Numbers**

Product Specification  
Sales Drawing

PS-68145-002  
SD-68145-328

This document was generated on 04/21/2010

**PLEASE CHECK [WWW.MOLEX.COM](http://WWW.MOLEX.COM) FOR LATEST PART INFORMATION**

DWG. NO. SD-68145-328

SIMILAR ITEM

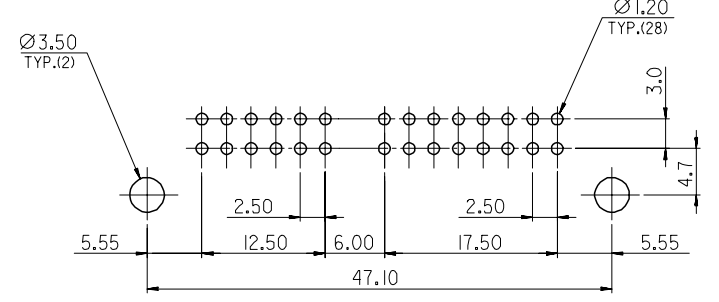
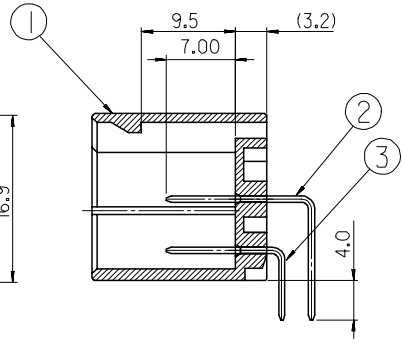
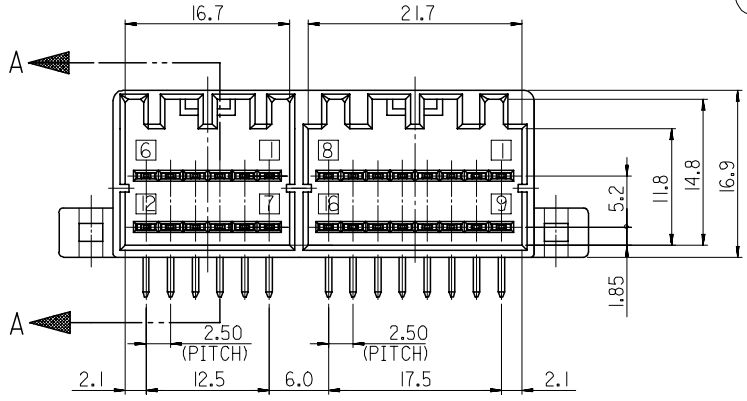
PROJECT NO.

C

B

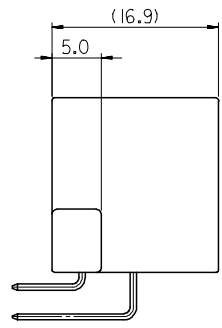
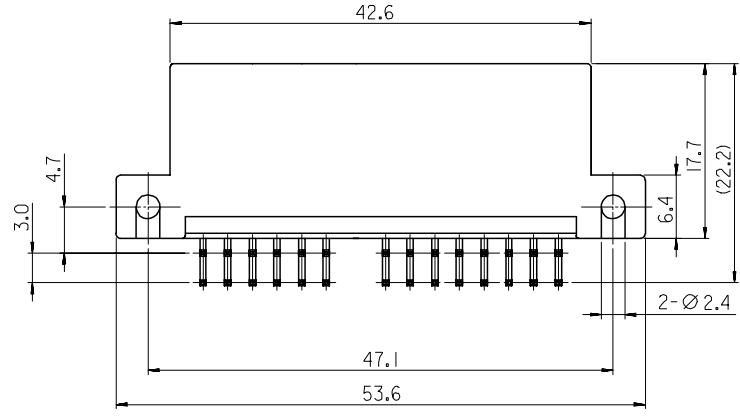
DO NOT SCALE DRAWING  
DIMENSION IN METRIC

NO.	PART NO.	COLOR
1	68145-2821	BLACK
2	68145-2825	GRAY
3	68145-2826	WHITE



RECOMMENDED P.C.B HOLE DIM.(MOUNT SIDE)

SECTION A-A



NOTES

1. APPLICABLE FEMALE HOUSING : 64002-121\*, 35563-161\*

NO.	DESCRIPTION	MATERIAL	REMARK
①	HOUSING	PBT, G/F 15%	UL94HB
②	PIN(L)	BRASS	PRE-TIN PLATED
③	PIN(S)		

ADDED OF PART EC NO. KOR2006-0147 DRWN: EOKIM 06/06/01 CHK: B.C.YOON 06/06/01 APPR: SHLCHOI 06/06/01	QUALITY SYMBOLS MAJOR CRITICAL	GENERAL TOLERANCES: (UNLESS SPECIFIED)		SCALE 2:1	DESIGN UNITS <input checked="" type="checkbox"/> mm <input type="checkbox"/> INCH	THIRD ANGLE PROJECTION	DIMENSIONS: <input type="checkbox"/> mm <input type="checkbox"/> INCH <input type="checkbox"/> mm <input checked="" type="checkbox"/> mm ONLY	SHT REV
		4 PLACES ±0.      ±.	DRAWN BY & DATE B.C.YOON 02/07/12	TITLE: .040 WIRE TO BOARD CONNECTOR 28P HEADER ASS'Y-R/A(HZT)				
		3 PLACES ±0.      ±.	CHECKED BY & DATE Y.SIK.KIM 02/07/12	MOLEX INCORPORATED				
		2 PLACES ±0.25      ±.	APPROVED BY & DATE C.W.LEE 02/07/12	CAD FILENAME S6814528D.dgn	MATERIAL NO. SEE TABLE	DRAWING NO. SD-68145-328	SHEET NO. 1 OF 1	
1 PLACE ±0.30      ±.	ANGULAR: ± 1 °	THIS DRAWING CONTAINS INFORMATION THAT IS PROPRIETARY TO MOLEX INCORPORATED AND SHOULD NOT BE USED WITHOUT WRITTEN PERMISSION.			SIZE B			
DRAFT WHERE APPLICABLE MUST REMAIN WITHIN DIMENSIONS	THIS DRAWING CONTAINS INFORMATION THAT IS PROPRIETARY TO MOLEX INCORPORATED AND SHOULD NOT BE USED WITHOUT WRITTEN PERMISSION.			MX-A3				

8 7 6 5 4 3 2 1

F E D C B A