

PLEASE CHECK WWW.MOLEX.COM FOR LATEST PART INFORMATION

Part Number: **0681452815**
Status: **Active**
Description: 2.50mm (.098") Pitch Wire-to-Board Header, 1.02mm (.040") Tab Type, Vertical, 28 Circuits, Gray

Documents:

[3D Model](#) [Product Specification PS-68145-002 \(PDF\)](#)
[Drawing \(PDF\)](#) [RoHS Certificate of Compliance \(PDF\)](#)

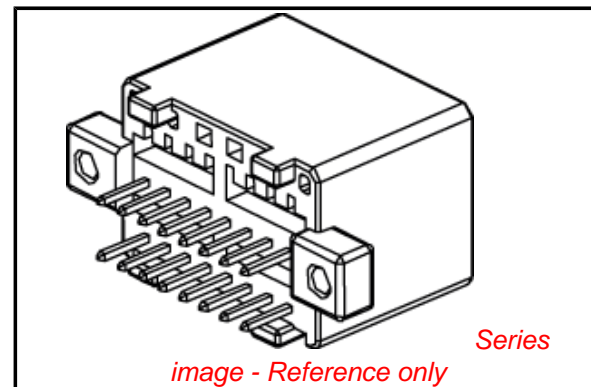
General

| | |
|----------------|-----------------------|
| Product Family | PCB Headers |
| Series | 68145 |
| Application | Wire-to-Board |
| Product Name | N/A |

Physical

| | |
|--------------------------------|----------------|
| Breakaway | No |
| Circuits (Loaded) | 28 |
| Circuits (maximum) | 28 |
| Color - Resin | Gray |
| Durability (mating cycles max) | 50 |
| First Mate / Last Break | No |
| Glow-Wire Compliant | No |
| Guide to Mating Part | No |
| Keying to Mating Part | None |
| Lock to Mating Part | Yes |
| Material - Metal | Brass |
| Material - Plating Mating | Tin |
| Material - Plating Termination | Tin |
| Material - Resin | Polyester |
| Number of Rows | 2 |
| Orientation | Vertical |
| PC Tail Length (in) | 0.146 In |
| PC Tail Length (mm) | 3.70 mm |
| PCB Locator | No |
| PCB Retention | Yes |
| PCB Thickness Recommended (in) | 0.047 In |
| PCB Thickness Recommended (mm) | 1.20 mm |
| Packaging Type | Tray |
| Pitch - Mating Interface (in) | 0.098 In |
| Pitch - Mating Interface (mm) | 2.50 mm |
| Pitch - Term. Interface (in) | 0.098 In |
| Pitch - Term. Interface (mm) | 2.50 mm |
| Plating min: Mating (µin) | 32 |
| Plating min: Mating (µm) | 0.80 |
| Plating min: Termination (µin) | 32 |
| Plating min: Termination (µm) | 0.80 |
| Polarized to Mating Part | Yes |
| Polarized to PCB | Yes |
| Shrouded | Closed Ends |
| Stackable | No |
| Surface Mount Compatible (SMC) | No |
| Temperature Range - Operating | -30°C to +85°C |
| Termination Interface: Style | Through Hole |

Electrical



EU RoHS

ELV and RoHS Compliant
REACH SVHC
 Not Reviewed
Halogen-Free Status

China RoHS



Need more information on product environmental compliance?

Email productcompliance@molex.com
 For a multiple part number RoHS Certificate of Compliance, [click here](#)

Please visit the [Contact Us](#) section for any non-product compliance questions.

Search Parts in this Series

[68145Series](#)

Mates With

[64002](#) Crimp Housing. [35563](#) Crimp Housing

Current - Maximum per Contact
Voltage - Maximum

5A
13V DC (RMS)

Material Info

Reference - Drawing Numbers

Product Specification
Sales Drawing

PS-68145-002
SD-68145-228

This document was generated on 04/07/2010

PLEASE CHECK WWW.MOLEX.COM FOR LATEST PART INFORMATION

DWG. 10.
SD-68145-228

SIMILAR ITEM

PROJECT NO.

C

B

DO NOT SCALE DRAWING
DIMENSION IN METRIC

8

7

6

5

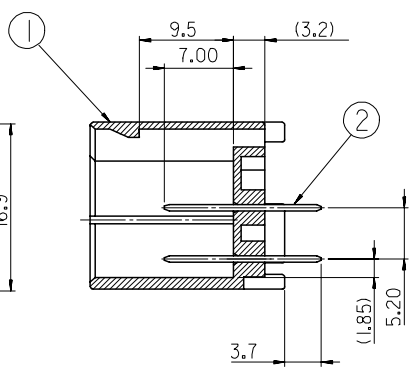
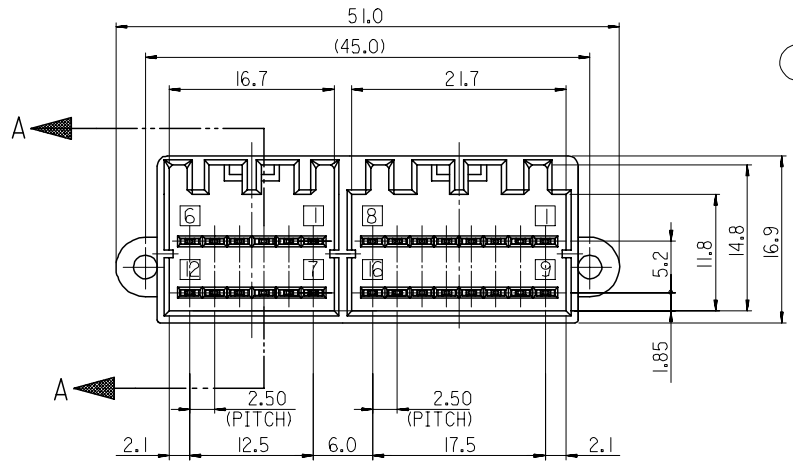
4

3

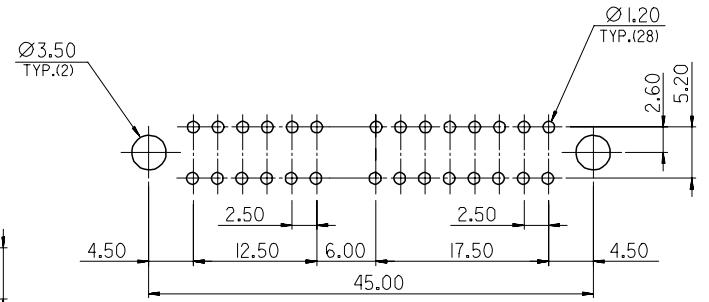
2

1

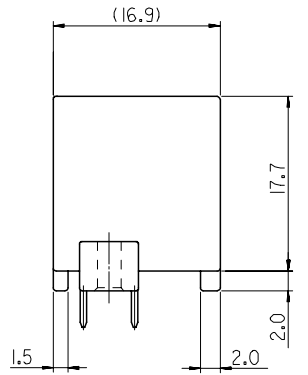
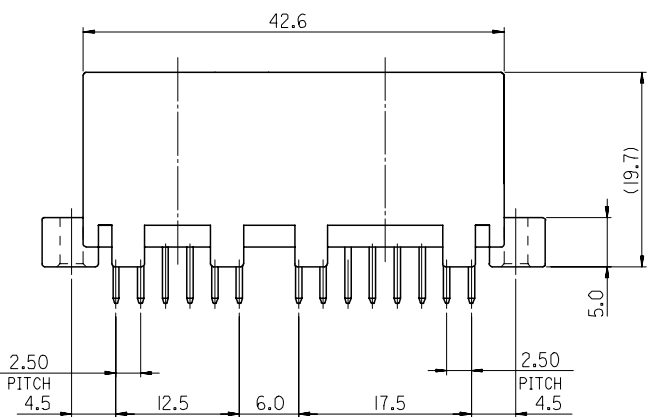
| NO. | PART NO. | COLOR |
|-----|------------|-------|
| 1 | 68145-2811 | BLACK |
| 2 | 68145-2815 | GRAY |
| 3 | 68145-2816 | WHITE |



SECTION A-A



RECOMMEN P.C.B HOLE DIM.(MOUNT SIDE)



NOTES

1. APPLICABLE FEMALE HOUSING : 64002-121*, 35563-161*

| NO. | DESCRIPTION | MATERIAL | REMARK |
|-----|-------------|--------------|----------------|
| ① | HOUSING | PBT, G/F 15% | UL94HB |
| ② | PIN(L) | BRASS | PRE-TIN PLATED |
| ③ | PIN(S) | | |

| | | | | | | | | |
|---|---|---|---|--|--|---------------------------|--|------------|
| ADDED OF PART EC NO. KOR2006-0147 DRWN: EOKIM 06/06/01 CHK: B.C.YOON 06/06/01 APPR: SHCHOL 06/06/01 | QUALITY SYMBOLS MAJOR CRITICAL | GENERAL TOLERANCES: (UNLESS SPECIFIED) | | SCALE 2:1 | DESIGN UNITS <input checked="" type="checkbox"/> mm <input type="checkbox"/> INCH | THIRD ANGLE PROJECTION | DIMENSIONS: <input type="checkbox"/> mm <input type="checkbox"/> INCH <input checked="" type="checkbox"/> mm ONLY | SHT REV |
| | | 4 PLACES ±0. ±. | DRAWN BY & DATE B.C.YOON 02/07/12 | TITLE: .040 WIRE TO BOARD CONNECTOR 28P HEADER ASS'Y (VTL) | | | | |
| | | 3 PLACES ±0. ±. | CHECKED BY & DATE Y.SIK.KIM 02/07/12 | APPROVED BY & DATE C.W.LEE 02/07/12 | | | | |
| | | 2 PLACES ±0.25 ±. 1 PLACE ±0.30 ±. ANGULAR: ± 1 ° | CAD FILENAME S6814528C.dgn | MATERIAL NO. SEE TABLE | DRAWING NO. SD-68145-228 | SHEET NO. 1 OF 1 | | |
| DRAFT WHERE APPLICABLE MUST REMAIN WITHIN DIMENSIONS | THIS DRAWING CONTAINS INFORMATION THAT IS PROPRIETARY TO MOLEX INCORPORATED AND SHOULD NOT BE USED WITHOUT WRITTEN PERMISSION. | | | | | | SIZE B | |

8

7

6

5

4

3

2

MX-A3