

iC-NQL

13-bit Sin/D CONVERTER WITH SSI INTERFACE



Rev B1, Page 1/24

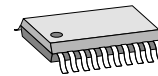
FEATURES

Resolution of up to 8192 angle steps per sine/cosine period
Binary and decimal resolution settings, e.g. 500, 512, 1000, 1024; programmable angle hysteresis
Conversion time of just 250 ns including amplifier settling
Count-safe vector follower principle, realtime system with 70 MHz sampling rate
Direct sensor connection; selectable input gain
Front-end signal conditioning features offset (8 bit), amplitude ratio (5 bit) and phase (6 bit) calibration
250 kHz input frequency
Absolute angle output via fast SSI interface
8-bit on-chip period counter
A QUAD B incremental outputs with selectable minimum transition distance (e.g. 0.25 μ s for 1 MHz at A)
Index signal processing adjustable in position and width
Fault monitoring: frequency, amplitude, configuration (CRC)
Setup via serial EEPROM
ESD protection and TTL-/CMOS-compatible outputs

APPLICATIONS

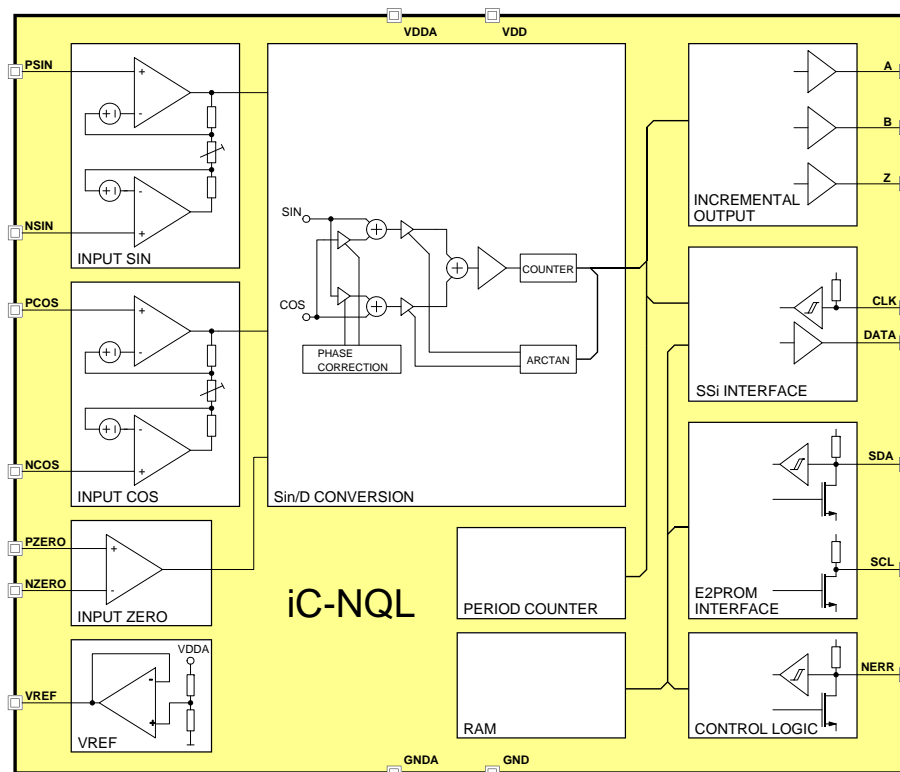
Interpolator IC for position data acquisition from analog sine/cosine sensors
Optical linear/rotary encoders
MR sensor systems

PACKAGES



TSSOP20

BLOCK DIAGRAM



DESCRIPTION

iC-NQL is a monolithic A/D converter which, by applying a count-safe vector follower principle, converts sine/cosine sensor signals with a selectable resolution and hysteresis into angle position data. This absolute value is output via a synchronous-serial SSI interface and trails a master clock rate of up to 4 Mbit/s. A 8-bit period counter supplements the position data with a multiturn count.

At the same time any changes in output data are converted into incremental A QUAD B encoder signals. Here, the minimum transition distance can be adapted to suit the system on hand (cable length, external counter). A synchronised zero index is generated and output to Z if enabled by the PZERO and NZERO inputs.

The front-end amplifiers are configured as instrumentation amplifiers, permitting sensor bridges to be di-

rectly connected without the need for external resistors. Various programmable D/A converters are available for the conditioning of sine/cosine sensor signals with regard to offset, amplitude ratio and phase errors. Front-end gain can be set in stages graded to suit all common differential sensor signals from approximately 20 mVpp to 1.5 Vpp, and also single-ended sensor signals from 40 mVpp to 3 Vpp respectively.

The device reads its configuration data via the serial EEPROM interface when cycling power, respectively following an undervoltage reset. The read in cycle is repeated up to three times when data correctness is not confirmed by a CRC validation. A permanent CRC error as well as the configuration phase itself is displayed at the error message output NERR by a low level signal.

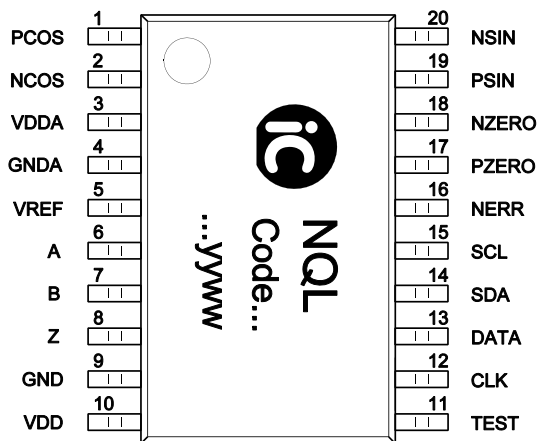
CONTENTS

PACKAGES	4	Incremental output to A, B and Z	14
ABSOLUTE MAXIMUM RATINGS	5	INCREMENTAL SIGNALS	15
THERMAL DATA	5	SIGNAL MONITORING and ERROR MESSAGES	17
ELECTRICAL CHARACTERISTICS	6	TEST FUNCTIONS	18
ELECTRICAL CHARACTERISTICS: Diagrams	8	SSI INTERFACE	19
OPERATING REQUIREMENTS: SSI INTERFACE	8	Examples of SSI Data Output Formats	20
PARAMETERS and REGISTERS	10	EEPROM INTERFACE	20
SIGNAL CONDITIONING	11	APPLICATION HINTS	21
CONVERTER FUNCTIONS	12	Principle Input Circuits	21
MAXIMUM POSSIBLE CONVERTER FREQUENCY	13	Basic Circuit	22
Serial data output	13	DESIGN REVIEW: Notes On Chip Functions	23

PACKAGES TSSOP20 (according to JEDEC Standard)

PIN CONFIGURATION

TSSOP20 4.4 mm, lead pitch 0.65 mm



PIN FUNCTIONS

No.	Name	Function
1	PCOS	Input Cosine +
2	NCOS	Input Cosine -
3	VDDA	+5 V Supply Voltage (analog)
4	GNDA	Ground (analog)
5	VREF	Reference Voltage Output
6	A	Incremental Output A Analog signal COS+ (TMA mode) PWM signal for Offset Sine (Calib.)
7	B	Incremental Output B Analog signal COS- (TMA mode) PWM signal for Offset Cosine (Calib.)
8	Z	Output Index Z PWM signal for Phase/Ratio (Calib.)
9	GND	Ground
10	VDD	+5 V Supply Voltage (digital)
11	TEST	Test Input
12	CLK	SSI interface, clock line
13	DATA	SSI interface, data output
14	SDA	EEPROM interface, data line Analog signal SIN+ (TMA mode)
15	SCL	EEPROM interface, clock line Analog signal SIN- (TMA mode)
16	NERR	Error Input/Output, active low
17	PZERO	Input Zero Signal +
18	NZERO	Input Zero Signal -
19	PSIN	Input Sine +
20	NSIN	Input Sine -

External connections linking VDDA to VDD and GND to GNDA are required. The test input may remain unwired or can be linked to VDD (please note the hints given by chapter Design Review regarding the signal of pin DATA).

ABSOLUTE MAXIMUM RATINGS

These ratings do not imply operating conditions; functional operation is not guaranteed. Beyond these ratings device damage may occur.

Item No.	Symbol	Parameter	Conditions	Limits		Unit
				Min.	Max.	
G001	VDDA	Analog Supply Voltage		-0.3	6	V
G002	VDD	Digital Supply Voltage		-0.3	6	V
G003	Vpin()	Voltage at PSIN, NSIN, PCOS, NCOS, PZERO, NZERO, VREF, NERR, SCL, SDA, CLK, DATA, A, B, Z	V() < VDDA + 0.3 V V() < VDD + 0.3 V	-0.3	6	V
G004	I _{mx} (VDDA)	Current in VDDA		-50	50	mA
G005	I _{mx} (GNDA)	Current in GNDA		-50	50	mA
G006	I _{mx} (VDD)	Current in VDD		-50	50	mA
G007	I _{mx} (GND)	Current in GND		-50	50	mA
G008	I _{mx} ()	Current in PSIN, NSIN, PCOS, NCOS, PZERO, NZERO, VREF, NERR, SCL, SDA, CLK, DATA, A, B, Z		-10	10	mA
G009	I _{lu} ()	Pulse Current in all pins (Latch-up Strength)	according to Jedec Standard No. 78; T _a = 25 °C, pulse duration to 10 μs, VCC = VCC _{max} , VDD = VDD _{max} , V _{lu} () = (-0.5...+1.5) x V _{pin} () _{max}	-100	100	mA
G010	V _d ()	ESD Susceptibility at all pins	HBM 100 pF discharged through 1.5 kΩ		2	kV
G011	T _j	Junction Temperature		-40	150	°C
G012	T _s	Storage Temperature Range		-40	150	°C

THERMAL DATA

Operating Conditions: VDDA = VDD = 5 V ±10 %

Item No.	Symbol	Parameter	Conditions	Limits			Unit
				Min.	Typ.	Max.	
T01	T _a	Operating Ambient Temperature Range (extended temperature range of -40 to 125 °C available on request)		-25		85	°C

All voltages are referenced to ground unless otherwise stated.

All currents flowing into the device pins are positive; all currents flowing out of the device pins are negative.

ELECTRICAL CHARACTERISTICS

 Operating Conditions: $V_{DDA} = V_{DD} = 5\text{ V} \pm 10\%$, $T_j = -40 \dots 125\text{ }^\circ\text{C}$, unless otherwise stated

Item No.	Symbol	Parameter	Conditions				Unit
				Min.	Typ.	Max.	
Total Device							
001	V_{DDA} , V_{DD}	Permissible Supply Voltage		4.5		5.5	V
002	$I(V_{DDA})$	Supply Current in V_{DDA}	$f_{in}() = 200\text{ kHz}$; A, B, Z open			15	mA
003	$I(V_{DD})$	Supply Current in V_{DD}	$f_{in}() = 200\text{ kHz}$; A, B, Z open			20	mA
004	V_{on}	Turn-on Threshold V_{DDA} , V_{DD}		3.2		4.4	V
005	V_{hys}	Turn-on Threshold Hysteresis		200			mV
006	$V_c()_{hi}$	Clamp Voltage hi at PSIN, NSIN, PCOS, NCOS, PZERO, NZERO, VREF	$V_c()_{hi} = V() - V_{DDA}$; $I() = 1\text{ mA}$, other pins open	0.3		1.6	V
007	$V_c()_{lo}$	Clamp Voltage lo at PSIN, NSIN, PCOS, NCOS, PZERO, NZERO, VREF, NERR, SCL, SDA, A, B, Z	$I() = -1\text{ mA}$, other pins open	-1.6		-0.3	V
008	$V_c()_{hi}$	Clamp Voltage hi at NERR, SCL, SDA, A, B, Z	$V_c()_{hi} = V() - V_{DD}$; $I() = 1\text{ mA}$, other pins open	0.3		1.6	V
Input Amplifiers PSIN, NSIN, PCOS, NCOS							
101	$V_{os}()$	Input Offset Voltage	$V_{in}()$ and $G()$ in accordance with table Gain Select; $G \geq 20$ $G < 20$	-10 -15		10 15	mV mV
102	T_{Cos}	Input Offset Voltage Temperature Drift	see 101		± 10		$\mu\text{V/K}$
103	$I_{in}()$	Input Current	$V() = 0\text{ V} \dots V_{DDA}$	-50		50	nA
104	GA	Gain Accuracy	$G()$ in accordance with table Gain Select	95		102	%
105	GArel	Gain SIN/COS Ratio Accuracy	$G()$ in accordance with table Gain Select	97		103	%
106	f_{hc}	Cut-off Frequency	$G = 80$ $G = 2.667$	230 650			kHz kHz
107	SR	Slew Rate	$G = 80$ $G = 2.667$	4 9			V/ μs V/ μs
Sin/D Conversion: Accuracy							
201	AAabs	Absolute Angle Accuracy without calibration	referred to 360° input signal, $G = 2.667$, $V_{in} = 1.5\text{ V}_{pp}$, $HYS = 0$	-1.0		1.0	DEG
202	AAabs	Absolute Angle Accuracy after calibration	referred to 360° input signal, $HYS = 0$, internal signal amplitude of $2 \dots 4\text{ V}_{pp}$	-0.5	± 0.35	+0.5	DEG
203	AArel	Relative Angle Accuracy	referred to output signal period of A/B, $G = 2.667$, $V_{in} = 1.5\text{ V}_{pp}$, $SELRES = 1024$, $FCTR = 0x0004 \dots 0x00FF$, $f_{in} < f_{inmax}$ (see table 14)	-10		10	%
Reference Voltage VREF							
801	VREF	Reference Voltage	$I(VREF) = -1\text{ mA} \dots +1\text{ mA}$	48		52	% V_{DDA}
Oscillator							
A01	fosc()	Oscillator Frequency	presented at SCL with subdivision of 2048; $V_{DDA} = V_{DD} = 5\text{ V} \pm 10\%$ $V_{DDA} = V_{DD} = 5\text{ V}$	52 60	72	90 83	MHz MHz
A02	T_{Cosc}	Oscillator Frequency Temperature Drift	$V_{DDA} = V_{DD} = 5\text{ V}$		-0.1		%/K
A03	V_{Cosc}	Oscillator Frequency Power Supply Dependence			+10.6		%/V

ELECTRICAL CHARACTERISTICS

Operating Conditions: VDDA = VDD = 5 V ±10 %, Tj = -40 ... 125 °C, unless otherwise stated

Item No.	Symbol	Parameter	Conditions				Unit
				Min.	Typ.	Max.	
Zero Comparator							
B01	Vos()	Input Offset Voltage	V() = Vcm()	-20		20	mV
B02	Iin()	Input Current	V() = 0 V ... VDDA	-50		50	nA
B03	Vcm()	Common-Mode Input Voltage Range		1.4		VDDA-1.5	V
B04	Vdm()	Differential Input Voltage Range		0		VDDA	V
Incremental Outputs A, B, Z							
SSI Interface Output DATA							
D01	Vs()hi	Saturation Voltage hi	Vs()hi = VDD - V(); I() = -4 mA			0.4	V
D02	Vs()lo	Saturation Voltage lo	I() = 4 mA			0.4	V
D03	tr()	Rise Time	CL() = 50 pF			60	ns
D04	tf()	Fall Time	CL() = 50 pF			60	ns
D05	RL()	Permissible Load at A, B	TMA = 1 (calibration mode)	1			MΩ
SSI Interface: Input CLK							
E01	Vt()hi	Threshold Voltage hi				2	V
E02	Vt()lo	Threshold Voltage lo		0.8			V
E03	Vt()hys	Hysteresis	Vt()hys = Vt()hi - Vt()lo	300			mV
E04	Ipu()	Pull-up Current in CLK	V() = 0 ... VDD - 1 V	-240	-120	-25	μA
E05	fclk()	Permissible Clock Frequency at CLK				4	MHz
E06	tp(CLK-DATA)	Propagation Delay: CLK edge vs. DATA output	all modes, RL(SLO) ≥ 1 kΩ	10		50	ns
E07	tbusy()	Processing Time			0		
E08	tidle()	Interface Blocking Time	powering up with no EEPROM		1	1.5	ms
EEPROM Interface, Control Logic: Inputs SDA, NERR							
F01	Vt()hi	Threshold Voltage hi				2	V
F02	Vt()lo	Threshold Voltage lo		0.8			V
F03	Vt()hys	Hysteresis	Vt()hys = Vt()hi - Vt()lo	300			mV
F04	tbusy()cfg	Duration of Startup Configuration	error free EEPROM access		5	7	ms
EEPROM Interface, Control Logic: Outputs SDA, SCL, NERR							
G01	f()	Write/Read Clock at SCL			20	100	kHz
G02	Vs()lo	Saturation Voltage lo	I() = 4 mA			0.45	V
G03	Ipu()	Pull-up Current	V() = 0 ... VDD - 1 V	-600	-300	-75	μA
G04	ft()	Fall Time	CL() = 50 pF			60	ns
G05	tmin()lo	Error Signal Indication Time at NERR (lo signal)	CLK = hi, no amplitude or frequency error	10			ms
G06	Tpwm()	Error Signal PWM Cycle Duration at NERR	fosc() subdivided by 2 ²²		60.7		ms
G07	RL()	Permissible Load at SDA, SCL	TMA = 1 (calibration mode)	1			MΩ

ELECTRICAL CHARACTERISTICS: Diagrams

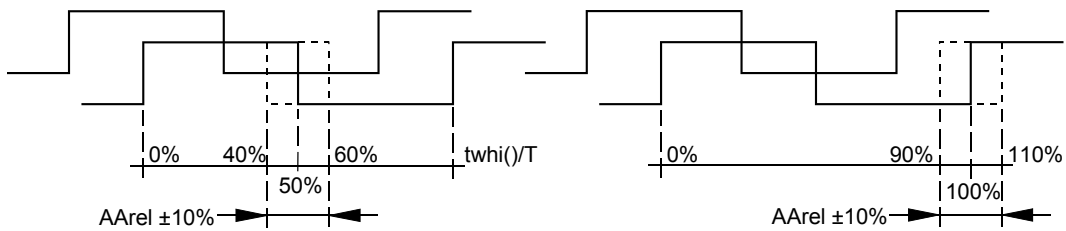


Figure 1: Definition of relative angle error.

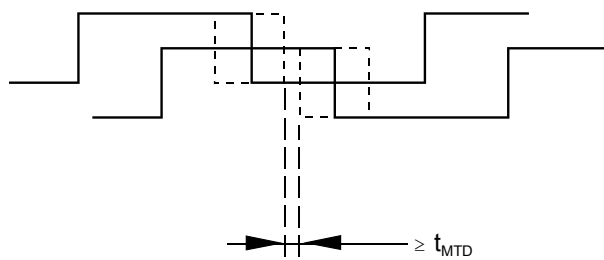


Figure 2: Definition of minimum transition distance.

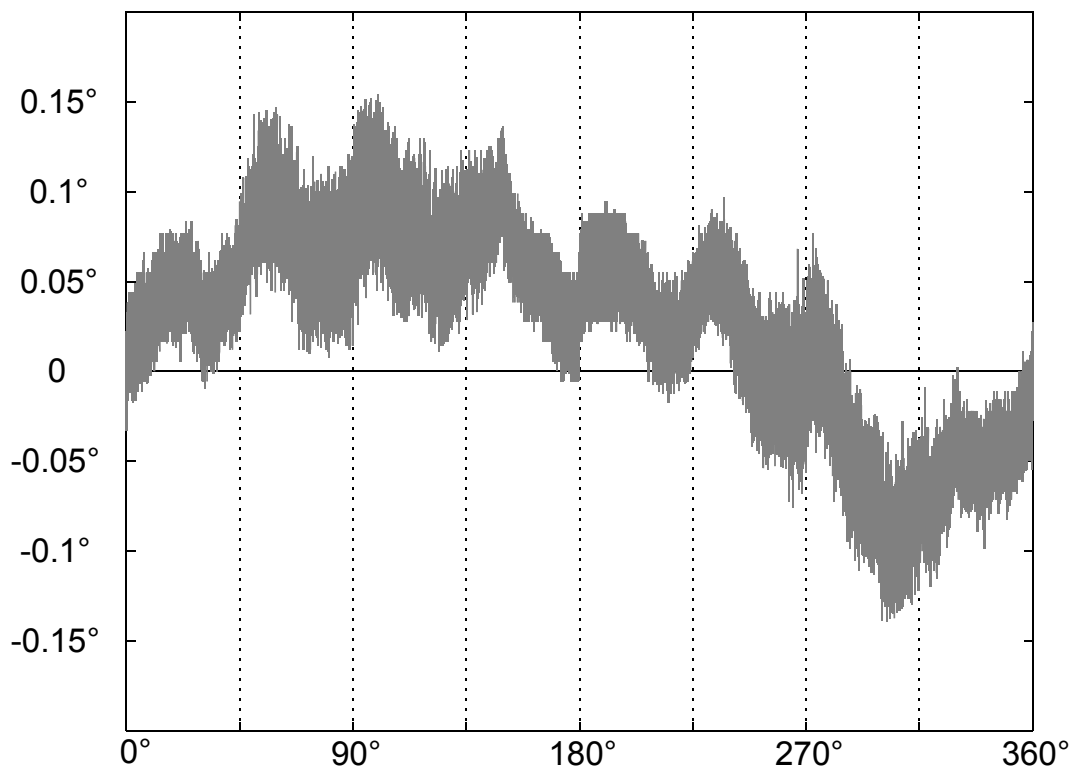


Figure 3: Typical residual absolute angle error after calibration.

OPERATING REQUIREMENTS: SSI INTERFACE

Operating Conditions: VDD = 5 V ±10 %, Ta = -25 ... 85 °C; input levels lo = 0 ... 0.45 V, hi = 2.4 V ... VDD

Item No.	Symbol	Parameter	Conditions	Fig.			Unit
					Min.	Max.	
I001	T _{CLK}	Permissible Clock Period	CFGTOS = 0x01	4	250	2x t _{tos}	ns
I002	t _{CLKhi}	Clock Signal Hi Level Duration		4	25	t _{tos}	ns
I003	t _{CLKlo}	Clock Signal Lo Level Duration		4	25	t _{tos}	ns

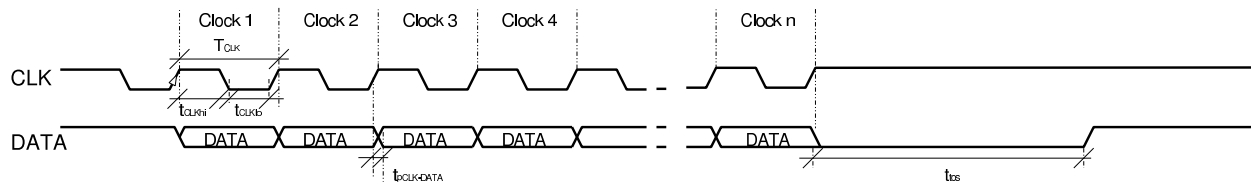


Figure 4: Timing diagram of SSI output.

PARAMETERS and REGISTERS

Register Description	Page 10	ZPOS:	Zero Signal Position
Signal Conditioning	Page 11	CFGZ:	Zero Signal Length
GAIN:	Gain Select	CFGAB:	Zero Signal Logic
SINOFFS:	Offset Calibration Sine	Signal Monitoring	
COSOFFS:	Offset Calibration Cosine	and Error Messages	Page 17
REFOFFS:	Offset Calibration Reference	SELAMPL:	Amplitude Monitoring, function
RATIO:	Amplitude Calibration	AMPL:	Amplitude Monitoring, thresholds
PHASE:	Phase Calibration	AERR:	Amplitude Error
Converter Function	Page 12	FERR:	Frequency Error
SELRES:	Resolution	Test Functions	Page 18
HYS:	Hysteresis	TMODE:	Test Mode
FCTR:	Max. Permissible Converter Frequency	TMA:	Analog Test Mode
Incremental Signals	Page 15	SSI Interface	Page 19
CFGABZ:	Output A, B, Z	CFGTOS:	Interface Timeout
ROT:	Direction of Rotation	M2S:	Period Counter Output
CBZ:	Period Counter Configuration	CFGSSI:	SSI Output Options
ENRESDEL:	Output Turn-On Delay		

OVERVIEW								
Adr	Bit 7	Bit 6	Bit 5	Bit 4	Bit 3	Bit 2	Bit 1	Bit 0
0x00	0	M2S(1:0)		SELRES(4:0)				
0x01	HYS(2:0)			ZPOS(4:0)				
0x02	ENRESDEL	1	ROT	CBZ	CFGABZ(1:0)		CFGZ(1:0)	
0x03	CFGSSI(1:0)		CFGAB(1:0)		0	0	AERR	FERR
0x04	FCTR(7:0)							
0x05	0	FCTR(14:8)						
0x06	0	0	CFGTOS(1:0)		TMODE(2:0)			TMA
0x07	0	0	0	0	0	0	0	0
0x08	GAIN(3:0)				RATIO(3:0)			
0x09	SINOFFS(7:0)							
0x0A	COSOFFS(7:0)							
0x0B	PHASE(5:0)						REFOFFS	RATIO(4)
0x0C	0	0	0	0	0	SELAMPL	AMPL(1:0)	
0x0D	0	0	0	0	0	0	0	0
0x0E	0	0	0	0	0	0	0	0
0x0F	CRC(7:0) check sum over address 0x00-0x0E with CRC polynomial: "100100111" (read out of EEPROM)							
Note	Registers not in use must be set to zero unless otherwise noted.							

Table 5: Register layout

SIGNAL CONDITIONING

Input stages SIN and COS are configured as instrumentation amplifiers. The amplifier gain must be selected in accordance with the sensor signal level and

programmed to register GAIN according to the following table. Half of the supply voltage is output to VREF as center voltage to help DC level adaptation.

GAIN		Adr 0x08, Bit 7:4			
Code	Amplification	Sine/Cosine Input Signal Levels Vin()			
		Amplitude		Average value (DC)	
		Differential	Single-ended	Differential	Single-ended
0x0F	80.000	up to 50 mVpp	up to 100 mVpp	0.7 V ... VDDA - 1.2 V	0.8 V ... VDDA - 1.2 V
0x0E	66.667	up to 60 mVpp	up to 120 mVpp	0.7 V ... VDDA - 1.2 V	0.8 V ... VDDA - 1.2 V
0x0D	53.333	up to 75 mVpp	up to 0.15 Vpp	0.7 V ... VDDA - 1.2 V	0.8 V ... VDDA - 1.2 V
0x0C	40.000	up to 0.1 Vpp	up to 0.2 Vpp	1.2 V ... VDDA - 1.2 V	1.3 V ... VDDA - 1.3 V
0x0B	33.333	up to 0.12 Vpp	up to 0.24 Vpp	1.2 V ... VDDA - 1.2 V	1.3 V ... VDDA - 1.3 V
0x0A	28.571	up to 0.14 Vpp	up to 0.28 Vpp	0.7 V ... VDDA - 1.2 V	0.8 V ... VDDA - 1.3 V
0x09	26.667	up to 0.15 Vpp	up to 0.3 Vpp	1.2 V ... VDDA - 1.2 V	1.3 V ... VDDA - 1.3 V
0x08	20.000	up to 0.2 Vpp	up to 0.4 Vpp	0.7 V ... VDDA - 1.2 V	0.8 V ... VDDA - 1.3 V
0x07	14.287	up to 0.28 Vpp	up to 0.56 Vpp	1.2 V ... VDDA - 1.3 V	1.4 V ... VDDA - 1.4 V
0x06	10.000	up to 0.4 Vpp	up to 0.8 Vpp	1.2 V ... VDDA - 1.3 V	1.4 V ... VDDA - 1.5 V
0x05	8.000	up to 0.5 Vpp	up to 1 Vpp	0.8 V ... VDDA - 1.4 V	1.0 V ... VDDA - 1.6 V
0x04	6.667	up to 0.6 Vpp	up to 1.2 Vpp	0.8 V ... VDDA - 1.4 V	1.1 V ... VDDA - 1.7 V
0x03	5.333	up to 0.75 Vpp	up to 1.5 Vpp	0.9 V ... VDDA - 1.5 V	1.3 V ... VDDA - 1.9 V
0x02	4.000	up to 1 Vpp	up to 2 Vpp	1.2 V ... VDDA - 1.6 V	1.7 V ... VDDA - 2.1 V
0x01	3.333	up to 1.2 Vpp	up to 2.4 Vpp	1.2 V ... VDDA - 1.7 V	1.8 V ... VDDA - 2.3 V
0x00	2.667	up to 1.5 Vpp	up to 3 Vpp	1.3 V ... VDDA - 1.8 V	2.0 V ... VDDA - 2.6 V

Table 6: Gain Select

SINOFFS			Adr 0x09, Bit 7:0		
COSOFFS			Adr 0x0A, Bit 7:0		
Code	Output Offset	Input Offset			
0x00	0 V	0 V			
0x01	-7.8125 mV	-7.8125* mV / GAIN			
...			
0x7F	-0.9922 V	-0.9922 V / GAIN			
0x80	0 V	0 V			
0x81	+7,8125 mV	+7.8125 mV / GAIN			
...			
0xFF	+0.9922 V	+0.9922 V / GAIN			
Notes	*) With REFOFFS = 0x00 und VDDA = 5 V.				

Table 7: Offset Calibration Sine/Cosine

REFOFFS		Adr 0x0B, Bit 1	
Code	Reference Voltage		
0x00	Depending on VDDA (example of application: MR sensors)		
0x01	Not depending on VDDA (example of application: Sin/Cos encoders)		

Table 8: Offset Calibration Reference

RATIO				Adr 0x0B, Bit 0, Adr 0x08, Bit 3:0			
Code	COS / SIN	Code	COS / SIN				
0x00	1.0000	0x10	1.0000				
0x01	1.0067	0x11	0.9933				
...				
0x0F	1.1	0x1F	0.9000				

Table 9: Amplitude Calibration

PHASE				Adr 0x0B, Bit 7:2			
Code	Phase Shift	Code	Phase Shift				
0x00	90°	0x20	90°				
0x01	90.703125°	0x21	89.296875°				
...				
0x12	102.65625°	0x32	77.34375°				
...	102.65625°	...	77.34375°				
0x1F	102.65625°	0x3F	77.34375°				

Table 10: Phase Calibration

CONVERTER FUNCTIONS

SELRES Adr 0x00, Bit 4:0		
Code	Binary Resolutions	Examples of Permissible Input Frequencies f_{inmax} (FCTR 0x0004, 0x4304)
0x00	-	
0x01	-	
0x02	-	
0x03	8192	158 Hz, 635 Hz
0x04	4096	317 Hz, 1.27 kHz
0x05	2048	634 Hz, 2.54 kHz
0x06	1024	1.27 kHz, 5.1 kHz
0x07	512	2.54 kHz, 10.2 kHz
0x08	256	5.1 kHz, 20.3 kHz
0x09	128	10.2 kHz, 40.6 kHz
0x0A	64	20.3 kHz, 81.3 kHz
0x0B	32	40.6 kHz, 162.5 kHz
0x0C	16	81.3 kHz (max. 250 kHz @ 0x4202)
0x0D	8	162 kHz (max. 250 kHz @ 0x4102)
0x0E	-	
0x0F	-	

Table 11: Binary Resolutions

SELRES Adr 0x00, Bit 4:0		
Code	Decimal Resolutions	Examples of Permissible Input Frequencies f_{inmax} (FCTR 0x0004, 0x4304)
0x10	2000	650 Hz, 2.6 kHz
0x11	1600	812 Hz, 3.3 kHz
0x12	1000	1.3 kHz, 5.2 kHz
0x13	800	1.6 kHz, 6.5 kHz
0x14	500	2.6 kHz, 10.4 kHz
0x15	400	3.2 kHz, 13 kHz
0x16	250 ^{*1}	5.2 kHz, 20.8 kHz
0x17	125 ^{*1,2}	5.2 kHz, 20.8 kHz
0x18	320	4.1 kHz, 16.3 kHz
0x19	160 ^{*2}	4.1 kHz, 16.3 kHz
0x1A	80 ^{*4}	4.1 kHz, 16.3 kHz
0x1B	40 ^{*8}	4.1 kHz, 16.3 kHz
0x1C	200	6.5 kHz, 26 kHz
0x1D	100 ^{*2}	6.5 kHz, 26 kHz
0x1E	50 ^{*1,4}	6.5 kHz, 26 kHz
0x1F	25 ^{*1,8}	6.5 kHz, 26 kHz
Notes	^{*1} Not useful with incremental A quad B output. ^{*2,4,8} The internal converter resolution is higher by a factor of 2, 4 or 8.	

Table 12: Decimal Resolutions

HYS Adr 0x01, Bit 7:5			
Code	Hysteresis in degree	Hysteresis in LSB	Absolute Angle Error*
0x00	0°		
0x01	0.0879°	1 LSB @ 12 bit	0.044°
0x02	0.1758°	1/2 LSB @ 10 bit	0.088°
0x03	0.3516°	1 LSB @ 10 bit	0.176°
0x04	0.7031°	1/2 LSB @ 8 bit	0.352°
0x05	1.4063°	1 LSB @ 8 bit	0.703°
0x06	5.625°		2.813°
0x07	45°	only recommended for calibration	22.5°
Notes	*) The absolute angle error is equivalent to one half the angle hysteresis		

Table 13: Hysteresis

MAXIMUM POSSIBLE CONVERTER FREQUENCY

The converter frequency automatically adjusts to the value necessary for the input frequency and resolution. This value ranges from zero to a maximum dependent on the oscillator frequency which can be set using register FCTR.

feature can be enabled via the FCTR register. Should the input frequency exceed the frequency limit of the selected converter resolution, the LSB is kept stable and not resolved any further; the interpolation resolution halves.

Serial data output

For SSI output the maximum possible converter frequency can be adjusted to suit the maximum input frequency; an automatic converter resolution step-down

If the next frequency limit is overshoot, the LSB and the LSB+1 are kept stable and so on. When the input frequency again sinks below this frequency limit, the fine resolution automatically returns.

Max. Possible Converter Frequency For Serial Data Output									
FCTR	Resolution Requirements			Protocol SSI	Max. Input Frequency $f_{in_{max}}$	Restrictions at high input frequency	Examples* $f_{in_{max}}$ [kHz] at resol.		
	Min. Res.	bin	dec				8192	1024	200
0x0004		X	X	X	$f(\text{OSC})_{\text{min}} / 40 / \text{Resolution}$	–	0.16	1.27	6.5
0x4102	≥ 8	X	X	X	$f(\text{OSC})_{\text{min}} / 24 / \text{Resolution}$	Rel. angle error 2x increased	0.26	2.1	10.8
0x4202	≥ 16	X	X	X	$2 \times f(\text{OSC})_{\text{min}} / 24 / \text{Res.}$	Rel. angle error 4x increased	0.53	4.2	21.6
0x4304	≥ 32	X	X	X	$4 \times f(\text{OSC})_{\text{min}} / 40 / \text{Res.}$	Rel. angle error 8x increased	0.64	5.1	26.0
0x4602	≥ 64	X	-	X	$4 \times f(\text{OSC})_{\text{min}} / 24 / \text{Res.}$	Resolution lowered by factor of 2	1.1	8.5	-
0x4A02	≥ 128	X	-	X	$8 \times f(\text{OSC})_{\text{min}} / 24 / \text{Res.}$	Res. lowered by factor of 2-4	2.1	16.9	-
0x4E02	≥ 256	X	-	X	$16 \times f(\text{OSC})_{\text{min}} / 24 / \text{Res.}$	Res. lowered by factor of 2-8	4.2	33.8	-
0x5202	≥ 512	X	-	X	$32 \times f(\text{OSC})_{\text{min}} / 24 / \text{Res.}$	Res. lowered by factor of 2-16	8.5	67.7	-
0x5602	≥ 1024	X	-	X	$64 \times f(\text{OSC})_{\text{min}} / 24 / \text{Res.}$	Res. lowered by factor of 2-32	16.9	135	-
0x5A02	≥ 2048	X	-	X	$128 \times f(\text{OSC})_{\text{min}} / 24 / \text{Res.}$	Res. lowered by factor of 2-64	33.8	250	-
0x5E02	≥ 4096	X	-	X	$256 \times f(\text{OSC})_{\text{min}} / 24 / \text{Res.}$	Res. lowered by factor of 2-128	67.7	-	-
0x6202	8192	X	-	X	$512 \times f(\text{OSC})_{\text{min}} / 24 / \text{Res.}$	Res. lowered by factor of 2-256	135	-	-
Notes	*) Calculated with $f_{osc}(\text{min})$ taken from Electrical Characteristics item A01.								

Table 14: Maximum converter frequency for serial data output.

Incremental output to A, B and Z

There are two criteria which must be considered when setting the maximum possible converter frequency via the FCTR register:

1. The maximum input frequency
2. System limitations, e.g. due to slow counters or cable transmission

When facing system limitations it is useful to preselect a minimum transition distance for the output sig-

nals. A digital zero-delay glitch filter then takes care of a temporal edge-to-edge separation, guaranteeing spike-free output signals after an ESD impact to the sensor, for instance.

A serial data output is simultaneously possible at any time. However, for the transfer of angle data to the output register the incremental output is halted for one period of the clock signal applied to pin CLK.

1. Max. Possible Converter Frequency Defined By The Maximum Input Frequency									
FCTR	Output Frequency f_{out} @ $f_{in_{max}}$ A, B	Resolution Requirem.		Maximum Input Frequency $f_{in_{max}}$	Restrictions at high input frequency	Examples* $f_{in_{max}}$ [kHz] at resol.			
		bin	dec			8192	1024	200	
0x0004	325 kHz	X	X	$f(OSC)_{min} / 40 / \text{Resolution}$	None	0.16	1.27	6.5	
0x4102	542 kHz	X	X	$f(OSC)_{min} / 24 / \text{Resolution}$	Relative angle error 2x increased	0.26	2.1	10.8	
0x4202	1.08 MHz	X	X	$2 \times f(OSC)_{min} / 24 \text{ Res.}$	Relative angle error 4x increased	0.53	4.2	21.6	
0x4304	1.3 MHz	X	X	$4 \times f(OSC)_{min} / 40 / \text{Res.}$	Relative angle error 8x increased	0.64	5.1	26.0	
Notes	*) Calculated with $f_{osc}(min)$ taken from Electrical Characteristics item A01.								

Table 15: Max. converter frequency for incremental A/B/Z output, defined by the max. input frequency

2. Max. Possible Converter Frequency Defined By The Minimum Transition Distance						
FCTR	Output Frequency f_{out} @ t_{MTD} A, B	Resolution Requirem.		Minimum Transition Distance at A, B t_{MTD}	Restrictions at high input frequency	Example* t_{MTD} [µsec]
		bin	dec			
0x00FF	10 kHz	X	X	$2048 / f(OSC)_{max}$	None	22.8
0x00FE	10.05 kHz	X	X	$2040 / f(OSC)_{max}$	None	22.7
0x00FD	10.09 kHz	X	X	$2032 / f(OSC)_{max}$	None	22.6
...
0x0006	366 kHz	X	X	$56 / f(OSC)_{max}$	None	0.62
0x0005	427 kHz	X	X	$48 / f(OSC)_{max}$	None	0.53
0x0004	512 kHz	X	X	$40 / f(OSC)_{max}$	None	0.44
0x4102	854 kHz	X	X	$24 / f(OSC)_{max}$	Relative angle error 2x increased	0.27
0x4202	1.7 MHz	X	X	$12 / f(OSC)_{max}$	Relative angle error 4x increased	0.13
0x4304	2.1 MHz	X	X	$10 / f(OSC)_{max}$	Relative angle error 8x increased	0.11
Notes	*) Calculated with $f_{osc}(max)$ taken from El.Char. item A01; the min. transition distance refers to output A vs. output B without reversing the sense of rotation.					

Table 16: Max. converter frequency for incremental A/B/Z output, defined by the min. transition distance

INCREMENTAL SIGNALS

CFGABZ	Adr 0x02, Bit 3:2			
Code	Mode	Pin A	Pin B	Pin Z
0x00	Normal	A	B	Z
0x01	Control signals for external period counters	CA	CB	CZ
0x02	Calibration mode The following settings are required additionally: SELRES = 0x0D ZPOS = 0x00 HYS = 0x07 ROT = 0x00 AERR = 0x00			
		Figure 5: Offset SIN*	Figure 6: Offset COS*	Figure 7: Phase*
0x03	Calibration mode The following settings are required additionally: SELRES = 0x0D ZPOS = 0x00 HYS = 0x07 ROT = 0x00 AERR = 0x00			
		Figure 8: Offset SIN*	Figure 9: Offset COS*	Figure 10: Amplitude*
Notes	*) Trimmed accurately when duty cycle is 50 %; Recommended trimming order (after selecting GAIN): Offset, Phase, Amplitude Ratio, Offset;			

Table 17: Outputs A, B, Z

ROT	Adr 0x02, Bit 5
Code	Direction
0x00	Not inverted
0x01	Inverted

Table 18: Direction of Rotation

CBZ	Adr 0x02, Bit 4
Code	Clear by zero
0x00	Disabled
0x01	Enabled

Table 19: Reset Enable for Period Counter

ENREDEL	Adr 0x02, Bit 7	
Code	Output*	Function
0x00	immediately	An external counter displays the absolute angle following power on.
0x01	after 5 ms	An external counter only displays changes vs. the initial power-on condition (moving halted to reapply power is precondition.)
Notes	*) Output delay after device configuration and internal reset.	

Table 20: Output Turn-On Delay A, B, Z

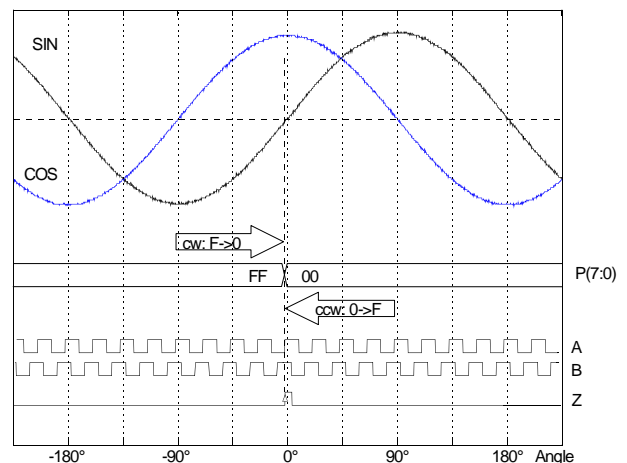


Figure 11: Clear by zero function of the period counter (enabled by CBZ = 1).

Example for resolution 64 (SELRES = 0x0A), zero signal at 0° (ZPOS = 0x00, CFGAB = 0x00) and the direction of rotation not inverted (ROT = 0x00, COS leads SIN).

ZPOS		Adr 0x01, Bit 4:0
Code	Position	
0x00	0°	
0x08	90°	
0x10	180°	
0x18	270°	
Notes	The zero signal is only output if released by the input pins (for instance with PZERO = 5V, NZERO = VREF).	

Table 21: Zero Signal Position

CFGZ		Adr 0x02, Bit 1:0
Code	Length	
0x00	90°	
0x01	180°	
0x02.. 03	Synchronization	

Table 22: Zero Signal Length

CFGAB		Adr 0x03, Bit 5:4
Code	Z = 1 for	
0x00	B = 1, A = 1	
0x01	B = 0, A = 1	
0x02	B = 1, A = 0	
0x03	B = 0, A = 0	

Table 23: Zero Signal Logic

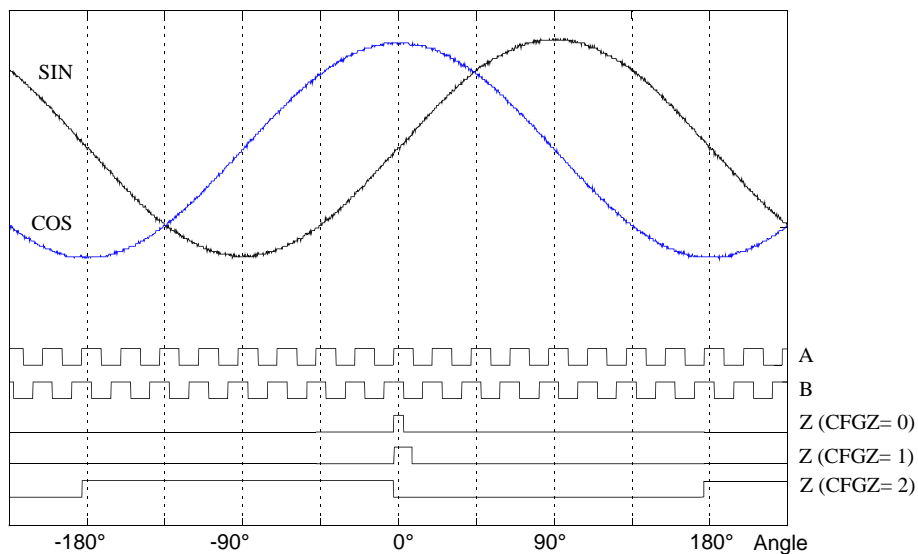


Figure 12: Incremental output signals for various length of the zero signal.

Example for a resolution of 64 (SELRES = 0x0A), a zero signal position of 0° (ZPOS = 0x00, CFGAB = 0x00) and no reversal of the rotational sense (ROT = 0x00, COS leads SIN).

SIGNAL MONITORING and ERROR MESSAGES

SELAMPL Adr 0x0C, Bit 2		
AMPL Adr 0x0C, Bit 1:0		
Code	Max (Sin , Cos)	Output amplitude*
0x00	0.60 x VDDA	1.4 Vpp (0.28 x VDDA)
0x01	0.64 x VDDA	2.0 Vpp (0.40 x VDDA)
0x02	0.68 x VDDA	2.6 Vpp (0.51 x VDDA)
0x03	0.72 x VDDA	3.1 Vpp (0.62 x VDDA)
Sin² + Cos²		
Code	V _{thmin} ↔ V _{thmax}	Output amplitude*
0x04	0.48 ↔ 0.68 x VDDA	2.4 Vpp ↔ 3.4 Vpp
0x05	0.56 ↔ 0.76 x VDDA	2.8 Vpp ↔ 3.8 Vpp
0x06	0.64 ↔ 0.84 x VDDA	3.2 Vpp ↔ 4.2 Vpp
0x07	0.72 ↔ 0.92 x VDDA	3.6 Vpp ↔ 4.6 Vpp
Notes	*) Entries are calculated with VDDA = 5V.	

Table 24: Signal Amplitude Monitoring

AERR Adr 0x03, Bit 1	
Code	Amplitude error message
0x00	disabled
0x01	enabled

Table 25: Amplitude Error

FERR Adr 0x03, Bit 0	
Code	Excessive frequency error message
0x00	disabled
0x01	enabled
Note	Input frequency monitoring is operational for resolutions ≥ 16

Table 26: Frequency Error

Configuration Error	
-	Messaging always released

Table 27: Configuration Error

Error Keys		
Failure Mode	Pin NERR	Error bits E1, E0 with SSI
No error	HI	11
Amplitude error	LO/HI = 75 % (AERR = 0: HI)	01 (11)
Frequency error	LO/HI = 50 % (FERR = 0: HI)	10 (11)
Configuration	LO	00
Undervoltage	LO	00
System error	NERR = low caused by an external error signal	00

Table 28: Error Keys

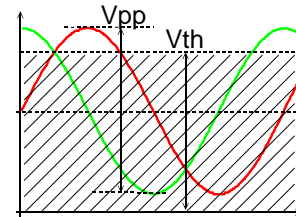


Figure 13: Signal monitoring of minimum amplitude.

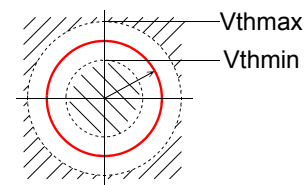


Figure 14: Sin² + Cos² signal monitoring.

Each phase in the configuration process is signaled by NERR = low; the signal is only reset following a successful CRC (cyclic redundancy check).

If the data transfer from the EEPROM is faulty and the CRC unsuccessful, then the configuration phase is automatically repeated.

The process aborts following a third unsuccessful attempt and the error message output remains set to low.

To enable the successful diagnosis of faults other types of error are signaled at NERR using a PWM code as given in the key on the left.

Two error bits are provided to enable communication via the SSI interface; these bits can decode four different types of error. If NERR is held at low by an external source, such as an error message from the system, for example, this can also be verified via the SSI interface.

Error events are stored for the SSI data output and deleted afterwards. Errors at NERR are displayed for a minimum of ca. 10 ms, as far as no SSI readout causes a deletion.

If an error in amplitude occurs the conversion process is terminated and the incremental output signals halted. An error in amplitude rules out the possibility of an error in frequency.

TEST FUNCTIONS

TMODE Adr 0x06, Bit 3:1		
Code	Signal at Z	Description
0x00	Z	no test mode
0x01	A xor B	Output A EXOR B
0x02	ENCLK	iC-Haus device test
0x03	NLOCK	iC-Haus device test
0x04	CLK	iC-Haus device test
0x05	DIVC	iC-Haus device test
0x06	PZERO - NZERO	iC-Haus device test
0x07	TP	iC-Haus device test
Condition	CFGABZ = 0x00	

Table 29: Test Mode

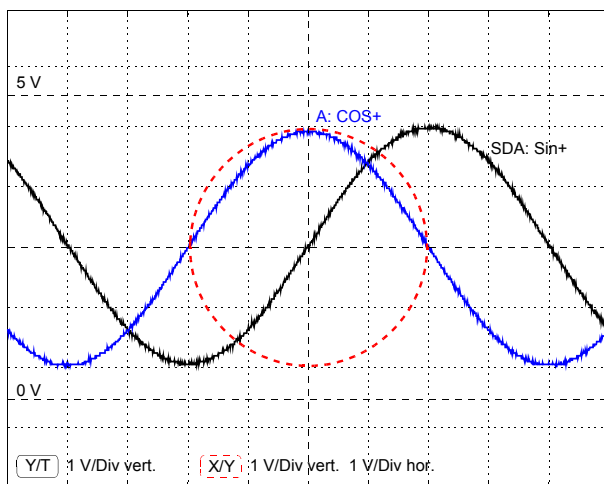


Figure 15: Calibrated signals with TMA mode.

TMA Adr 0x06, Bit 0				
Code	Pin A	Pin B	Pin SDA	Pin SCL
0x00	A	B	SDA	SCL
0x01	COS+	COS-	SIN+	SIN-
Notes	To permit the verification of GAIN and OFFSET settings, the input amplifier outputs are available at the pins. To operate the converter a signal of 4 Vpp is the ideal here and should not be exceeded. Pin loads above 1 MΩ are advisable for accurate measurements.			

Table 30: Analog Test Mode

Parameter GAIN ideally adjusts the signal levels to ca. 4 Vpp and should not be touched afterwards.

Both scope display modes are feasible for OFFS (positive values) or RATIO adjustments; regarding the adjustment of PHASE the X/Y mode may be preferred.

For OFFS adjustment towards negative values the test signals COS- (pin B) and SIN- (pin SCL) are relevant.

SSI INTERFACE

After each communication cycle the SSI interface returns to its idle state when the monoflop timeout t_{tos} has elapsed. This temporal condition also determines up to which clock line pause duration the iC-NQL retains the current data output cycle - the master may thus not undershoot a minimum clock frequency of $f(\text{CLK})_{\text{min}}$.

CFGTOS Adr 0x06, Bit 5:4			
Code	Timeout t_{tos}	Ref. clock counts	$f(\text{CLK})_{\text{min}}^*$
0x00	typ. 128 μs	256-259	11 kHz
0x01	typ. 16 μs	32-35	88 kHz
0x02	typ. 4 μs	8-11	352 kHz
0x03	typ. 1 μs	2-5	1.41 MHz
Note	A ref. clock count is equal to $\frac{32}{f_{osc}}$ (see EI. Char. A01). *The permissible max. clock frequency is specified by item E05.		

Table 31: Monoflop Time (SSI Timeout)

The iC-NQL position data output contains the period counter (P) with a bit length of 0 or 8 bits (selected by M2S), the angle value (S) with a bit length of 2 to 13 bits (depending on SELRES), and up to 3 add-on bits (error messages E1 and E0 plus a zero bit). Generally, the data output is in binary format starting with the MSB.

Signal Names	
Name	Description
P	Period counter (P7 is MSB)
S	Sensor data (S0 is LSB)
E	Error messages
Stop	Low signal

Table 32: Signal Names

The angle conversion is halted for one clock cycle as soon as the interface receives the first rising edge on CLK, what is the trigger signal to output updated position data. The halt duration must be taken into consideration when calculating the maximum input frequency.

M2S Adr 0x00, Bit 6:5	
Code	Period Counter Output
0x00	-
0x01	P(7:0)

Table 33: Period Counter Output

CFGSSI Adr 0x03, Bit 7:6		
Code	Additional bits	Ring register operation
0x00	E1, E0, zero bit	no
0x01	none	no
0x02	E1, E0, zero bit	yes
0x03	none	yes

Table 34: SSI Output Options

Examples of SSI Data Output Formats

Output Formats SSI																								
13-bit SSI																								
Res	Mode	Error	CRC	T1	T2	T3	T4... T10	T11	T12	T13	T14	T15	T16	T17	T18	T19	T20	T21	T22	T23	T24	T25		
10 bit	SSI	X	-	S9	S8	S7	S6 ... S0	E1	E0	0	Stop	Stop	Stop	Stop	Stop	Stop	Stop	Stop	Stop	Stop	Stop	Stop	Stop	
			Example							0	0	0	0	0	0	0	0	0	0	0	0	0	0	
13 bit	SSI ^{*1}	-	-	S12	S11	S10	S9 ... S3	S2	S1	S0	Stop	Stop	Stop	Stop	Stop	Stop	Stop	Stop	Stop	Stop	Stop	Stop	Stop	
			Example								0	0	0	0	0	0	0	0	0	0	0	0	0	
	SSI-R ^{*2}	-	-	S12	S11	S10	S9 ... S3	S2	S1	S0	Stop	S12	S11	S10	S9	S8	S7	S6	S5	S4	S3	S2		
			Example								0													
25-bit SSI																								
13 bit	SSI	X	-	S12	S11	S10	S9 ... S3	S2	S1	S0	E1	E0	0	Stop	Stop	Stop	Stop	Stop	Stop	Stop	Stop	Stop	Stop	
			Example										0	0	0	0	0	0	0	0	0	0	0	
8 + 13 bit ^{*3}	SSI	X	-	P7	P6	P5	P4 ... P0, S12, S11	S10	S9	S8	S7	S6	S5	S4	S3	S2	S1	S0	E1	E0	0	Stop		
			Example																			0	0	
			Configuration	M2S = 0x00, CFGSSI = 0x00, unless otherwise noted. *1) CFGSSI = 0x01; *2) CFGSSI = 0x03; *3) M2S = 0x01																				
			Legend	SSI = SSI Protocol SSI-R = SSI Ring Register operation																				

Table 35: Output Formats SSI

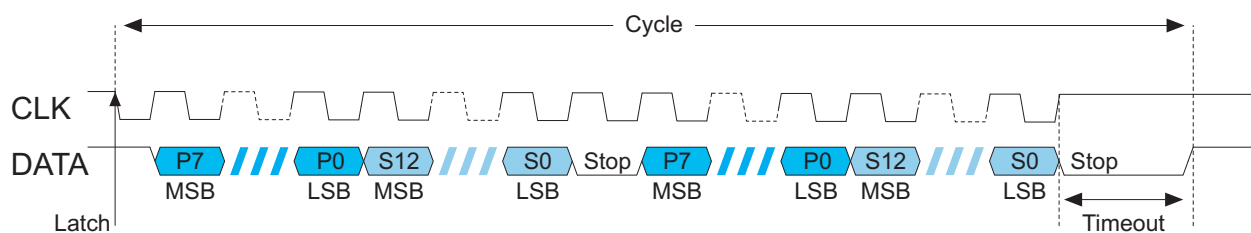


Figure 16: 25-bit SSI output format during ring register operation. The example displays the transmission of a 13-bit angle value headed by period counter data of 8-bit; error messages are switched off herein (SELRES = 0x03, M2S = 0x01, CFGSSI = 0x03)

EEPROM INTERFACE

Serial EEPROM components permitting operation from 3.3 V to 5 V can be connected (such as 24C02, for example). When the device is switched on the memory

area of bytes 0 to 15 is mapped onto iC-NQL's registers.

APPLICATION HINTS

Principle Input Circuits

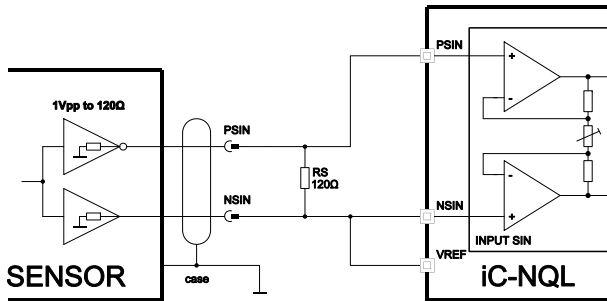


Figure 17: Input circuit for voltage signals of 1Vpp with no ground reference. When grounds are not separated the connection NSIN to VREF must be omitted.

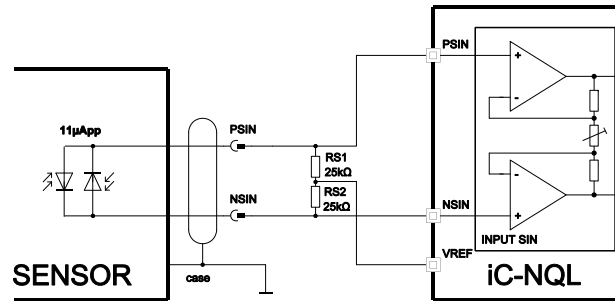


Figure 18: Input circuit for current signals of 11µA. This circuit does not permit offset calibration.

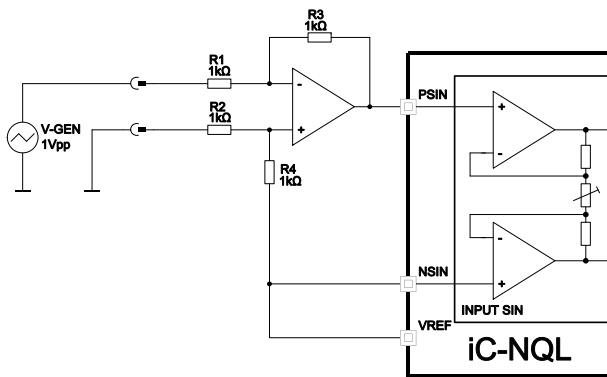


Figure 19: Input circuit for single-sided voltage or current source signals with ground reference (adaptation via resistors R3, R4).

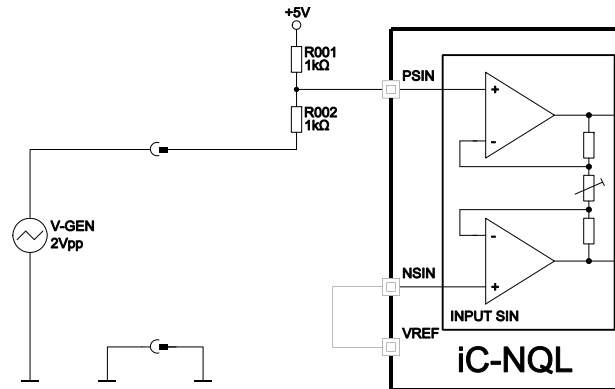


Figure 20: Simplified input wiring for single-sided voltage signals with ground reference.

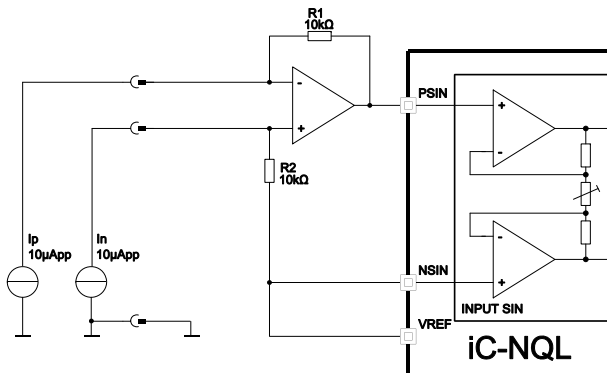


Figure 21: Input circuit for differential current sink sensor outputs, eg. using Opto Encoder iC-WG.

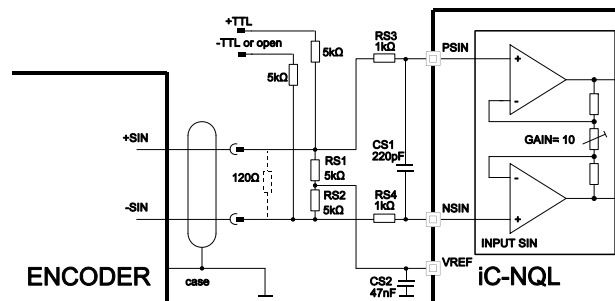


Figure 22: Combined input circuit for 11µA, 1Vpp (with 120Ω termination) or TTL encoder signals. RS3/4 and CS1 serve as protection against ESD and transients.

Basic Circuit

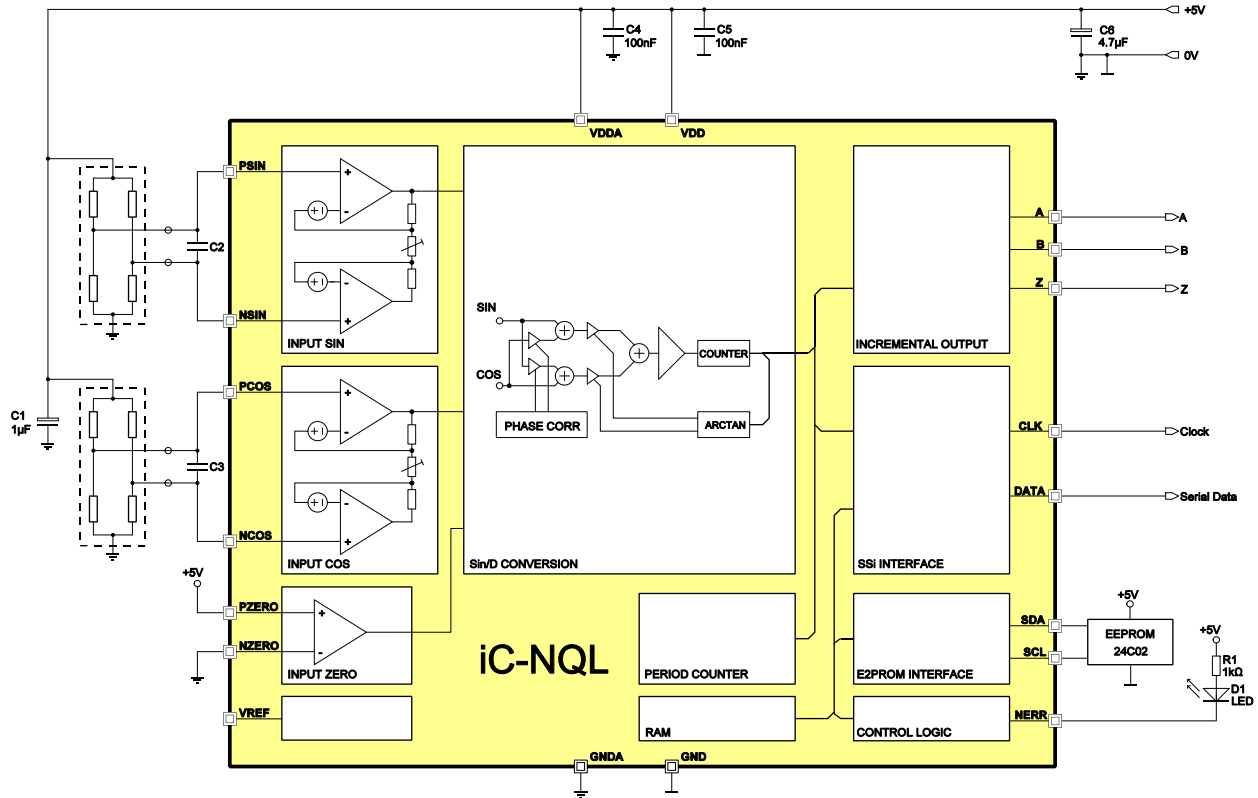


Figure 23: Basic circuit for evaluation of magneto-resistor bridge sensors.

DESIGN REVIEW: Notes On Chip Functions

iC-NQL X2 iC-NQL X3		
No.	Function, Parameter/Code	Description and Application Hints
1	ZPOS Illegal settings: 0x01...0x07, 0x09...0x0F, 0x11...0x17, 0x19...0x1F	Illegal settings of ZPOS delay accurate converter operation following power on. Depending on the sin/cos input signals (phase angle) the A/B outputs can provide pulses causing an external counter to alternately count up and down. This may disturb the startup of a drive if the motion controller tolerates only single A/B edges during standstill checking. The converter operation is again accurate when the sin/cos input signals have changed, by a maximum of 45 angular degrees.
2	M2S Illegal settings: 0x02, 0x03	Illegal settings, enabling a period counter output of 12 or 24 bits, may cause position data jumping with fast changes in the direction of count (e.g. applications with length gauges). It is thus advisable to use 8-bit period counting (M2S 0x01) and to capture the overflow in the external microcontroller.
3	Pin DATA	When cycling power pin DATA may show high or low level initially. With pin TEST = low (e.g. pin open) at least a single low pulse at pin CLK is required to trigger pin DATA to show a high level after the timeout has elapsed. When continuing the clock signal after completion of data output, additional zero bits are output. With pin TEST = high (e.g. pin wired to VDD) only the timeout needs to elapse to trigger pin DATA showing high level. When continuing the clock signal after completion of data output, additional one bits are output.

Table 36: Notes on chip functions

iC-Haus expressly reserves the right to change its products and/or specifications. An Infoletter gives details as to any amendments and additions made to the relevant current specifications on our internet website www.ichaus.de/infoletter; this letter is generated automatically and shall be sent to registered users by email.

Copying – even as an excerpt – is only permitted with iC-Haus approval in writing and precise reference to source.

iC-Haus does not warrant the accuracy, completeness or timeliness of the specification on this site and does not assume liability for any errors or omissions in the materials. The data specified is intended solely for the purpose of product description. No representations or warranties, either express or implied, of merchantability, fitness for a particular purpose or of any other nature are made hereunder with respect to information/specification or the products to which information refers and no guarantee with respect to compliance to the intended use is given. In particular, this also applies to the stated possible applications or areas of applications of the product.

iC-Haus conveys no patent, copyright, mask work right or other trade mark right to this product. iC-Haus assumes no liability for any patent and/or other trade mark rights of a third party resulting from processing or handling of the product and/or any other use of the product.

As a general rule our developments, IPs, principle circuitry and range of Integrated Circuits are suitable and specifically designed for appropriate use in technical applications, such as in devices, systems and any kind of technical equipment, in so far as they do not infringe existing patent rights. In principle the range of use is limitless in a technical sense and refers to the products listed in the inventory of goods compiled for the 2008 and following export trade statistics issued annually by the Bureau of Statistics in Wiesbaden, for example, or to any product in the product catalogue published for the 2007 and following exhibitions in Hanover (Hannover-Messe).

We understand suitable application of our published designs to be state-of-the-art technology which can no longer be classed as inventive under the stipulations of patent law. Our explicit application notes are to be treated only as mere examples of the many possible and extremely advantageous uses our products can be put to.

iC-NQL

13-bit Sin/D CONVERTER WITH SSI INTERFACE



Rev B1, Page 24/24

ORDERING INFORMATION

Type	Package	Order Designation
iC-NQL	TSSOP20 4.4 mm	iC-NQL TSSOP20

For technical support, information about prices and terms of delivery please contact:

iC-Haus GmbH
Am Kuemmerling 18
D-55294 Bodenheim
GERMANY

Tel.: +49 (61 35) 92 92-0
Fax: +49 (61 35) 92 92-192
Web: <http://www.ichaus.com>
E-Mail: sales@ichaus.com

Appointed local distributors: http://www.ichaus.com/sales_partners