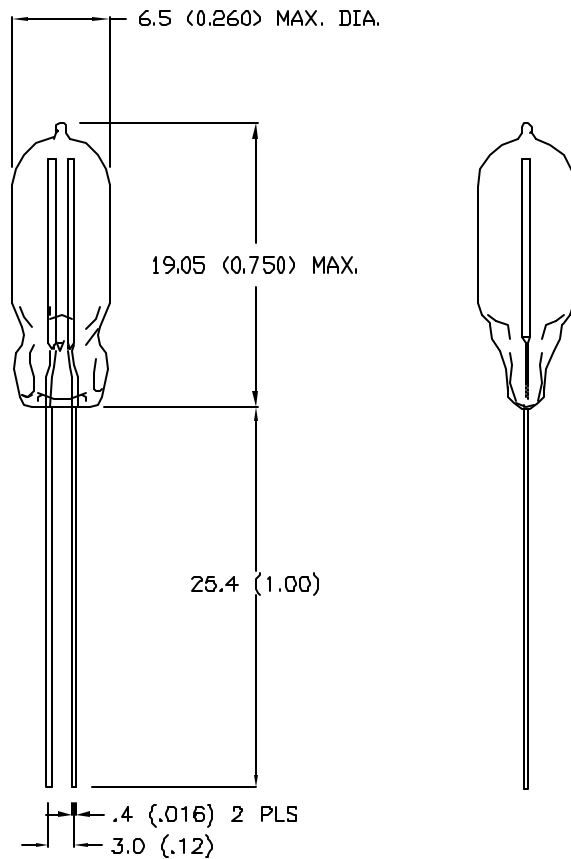


UNCONTROLLED DOCUMENT



NOTE:

1. WHEN THE NEON LAMP IS ENERGIZED IN DARKNESS, THE STARTING VOLTAGE CAN: RISE DELAY THE LIGHT SURGE, OR NOT DISCHARGE. THEREFORE, THE BRIGHTNESS SHALL BE KEPT HIGHER THAN 10 LUX.

*UNLESS OTHERWISE SPECIFIED TOLERANCES PER DECIMAL PRECISION ARE: X=±1 (±0.039), X.X=±0.5 (±0.020), X.XX=±0.25 (±0.010), X.XXX=±0.127 (±0.005). LEAD SIZE=±0.05 (±0.002), LEAD LENGTH=±0.75 (±0.030). MIN= +DECIMAL PRECISION -0.00 MAX.= +0.00 -DECIMAL PRECISION

PART NUMBER GT-RLSA230		REV. A
REV. A	E.C.N. NUMBER AND REVISION COMMENTS E.C.N. #11148.	DATE 12.18.06

ELECTRICAL SPECIFICATIONS

D.C. FIRING VOLTAGE (dv/dt<100us):	230VDC±15%
PEAK IMPULSE CURRENT (8/20us FORM):	1.5KA
IMPULSE SURGE LIFE (8/20us 500A):	1000 TIMES MIN.
INSULATION RESISTANCE (100VDC MIN.):	10 Ω
INTER-ELECTRODE CAPACITANCE:	0.5PF MAX.

ENVIRONMENTAL TESTING

THERMAL SHOCK:	MIL-STD-202 METHOD 107 TEST COND B
HUMIDITY:	MIL-STD-202 METHOD 103B TEST COND B
TEMP CYCLING:	MIL-STD-202 METHOD 102A TEST COND C
OPERATING TEMP.:	-40°C TO +100°C



UNCONTROLLED DOCUMENT

REV. A	PART NUMBER GT-RLSA230	<p>CONFIDENTIAL INFORMATION</p> <p>THE INFORMATION CONTAINED IN THIS DOCUMENT IS THE PROPERTY OF LUMEX INC. EXCEPT AS SPECIFICALLY AUTHORIZED IN WRITING BY LUMEX INC., THE HOLDER OF THIS DOCUMENT SHALL KEEP ALL INFORMATION CONTAINED HEREIN CONFIDENTIAL AND SHALL PROTECT SAME IN WHOLE OR IN PART FROM DISCLOSURE AND DISSEMINATION TO ALL THIRD PARTIES.</p> <p>RELIABILITY NOTE</p> <p>OUR MANY YEARS OF EXPERIENCE DATA ACCUMULATION INDICATE THAT SOLDER HEAT IS A MAJOR CAUSE OF EARLY AND FUTURE FAILURE. PLEASE PAY ATTENTION TO YOUR SOLDERING PROCESS.</p>	<p>290 E. HELEN ROAD PALATINE, IL 60067-6976 PHONE: +1.847.359.2790 US WEB: www.lumex.com TW WEB: www.lumex.com.tw</p>
LIGHT DUTY RADIAL LEAD ARRESTOR		<p>DRAWN BY: JC</p> <p>CHECKED BY:</p> <p>APPROVED BY:</p>	<p>DATE: 12.18.06</p> <p>PAGE: 1 OF 1</p> <p>SCALE: N/A</p>