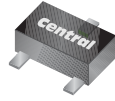


CMUSH2-4
 CMUSH2-4A
 CMUSH2-4C
 CMUSH2-4S

**SURFACE MOUNT
 SILICON SCHOTTKY DIODES**

ULTRAmi™



SOT-523 CASE



www.centrasemi.com

DESCRIPTION:

The CENTRAL SEMICONDUCTOR CMUSH2-4 Series types are Silicon Schottky Diodes, epoxy molded in a ULTRAmi™ SOT-523 surface mount package, designed for fast switching applications requiring a low forward voltage drop.

CMUSH2-4: SINGLE
CMUSH2-4A: DUAL, COMMON ANODE
CMUSH2-4C: DUAL, COMMON CATHODE
CMUSH2-4S: DUAL, IN SERIES

MARKING CODE: C42
MARKING CODE: C4A
MARKING CODE: C4C
MARKING CODE: C4S

MAXIMUM RATINGS: (T_A=25°C)

Peak Repetitive Reverse Voltage
 Continuous Forward Current
 Peak Repetitive Forward Current
 Peak Forward Surge Current, tp=10ms
 Power Dissipation
 Operating and Storage Junction Temperature
 Thermal Resistance

SYMBOL

V_RRRM 40
 I_F 200
 I_FFRM 300
 I_FFSM 600
 P_D 250
 T_J, T_{stg} -65 to +150
 Θ_{JA} 500

UNITS

V
 mA
 mA
 mA
 mW
 °C
 °C/W

ELECTRICAL CHARACTERISTICS PER DIODE: (T_A=25°C unless otherwise noted)

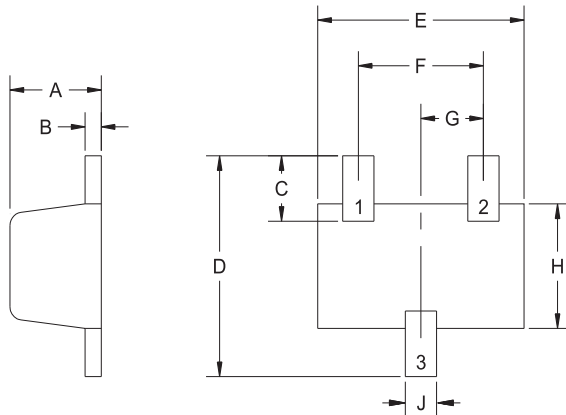
SYMBOL	TEST CONDITIONS	MIN	TYP	MAX	UNITS
I _R	V _R =35V		170	500	nA
I _R	V _R =35V, T _A =100°C		25	100	μA
BV _R	I _R =100μA	40	55		V
V _F	I _F =100μA		240	260	mV
V _F	I _F =500μA		285	310	mV
V _F	I _F =1.0mA		305	330	mV
V _F	I _F =50mA		535	600	mV
V _F	I _F =100mA		670	750	mV
C _T	V _R =1.0V, f=1.0MHz			10	pF
t _{rr}	I _F =I _R =10mA, I _{rr} =1.0mA, R _L =100Ω			5.0	ns

CMUSH2-4
 CMUSH2-4A
 CMUSH2-4C
 CMUSH2-4S

**SURFACE MOUNT
 SILICON SCHOTTKY DIODES**



SOT-523 CASE - MECHANICAL OUTLINE



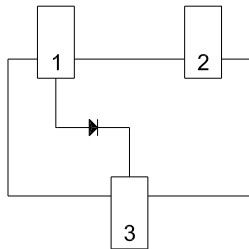
(Bottom View)

R2

SYMBOL	DIMENSIONS			
	INCHES		MILLIMETERS	
	MIN	MAX	MIN	MAX
A	0.023	0.031	0.58	0.78
B	0.002	0.008	0.04	0.20
C	0.013	0.021	0.34	0.54
D	0.059	0.067	1.50	1.70
E	0.059	0.067	1.50	1.70
F	0.035	0.043	0.90	1.10
G	0.020		0.50	
H	0.031	0.039	0.78	0.98
J	0.010	0.014	0.25	0.35

SOT-523 (REV: R2)

PIN CONFIGURATIONS

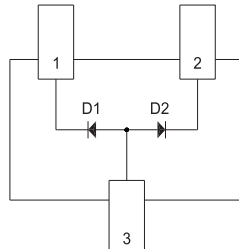


CMUSH2-4

LEAD CODE:

- 1) Anode
- 2) No Connection
- 3) Cathode

MARKING CODE: C42

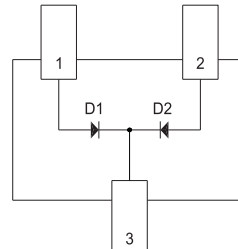


CMUSH2-4A

LEAD CODE:

- 1) Cathode D1
- 2) Cathode D2
- 3) Anode D1, D2

MARKING CODE: C4A

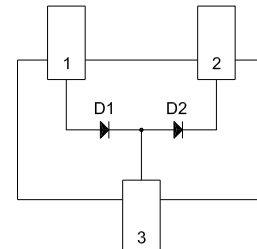


CMUSH2-4C

LEAD CODE:

- 1) Anode D1
- 2) Anode D2
- 3) Cathode D1, D2

MARKING CODE: C4C



CMUSH2-4S

LEAD CODE:

- 1) Anode D1
- 2) Cathode D2
- 3) Anode D2, Cathode D1

MARKING CODE: C4S

R1 (9-February 2010)